

US00D668371S

(12) **United States Design Patent**  
**Alpaslan et al.**

(10) **Patent No.:** **US D668,371 S**  
(45) **Date of Patent:** **\*\* Oct. 2, 2012**

(54) **LUMINAIRE**

(75) Inventors: **Kaan Alpaslan**, Regensburg (DE);  
**Klaus Burkard**, Regensburg (DE)

(73) Assignee: **OSRAM AG**, Munich (DE)

(\*\*) Term: **14 Years**

(21) Appl. No.: **29/375,872**

(22) Filed: **Sep. 29, 2010**

(30) **Foreign Application Priority Data**

Mar. 29, 2010 (EM) ..... 001207914

(51) **LOC (9) Cl.** ..... **26-05**

(52) **U.S. Cl.** ..... **D26/72; D26/75**

(58) **Field of Classification Search** ..... D26/72,  
D26/74, 75, 76, 77, 78, 79, 80, 81, 82, 83,  
D26/84, 85, 88, 89, 90, 122; 362/145, 146,  
362/147, 148, 150, 151, 152, 153, 153.1,  
362/217.01, 217.02, 217.05, 217.06, 217.07,  
362/217.08, 217.09, 217.1, 217.11, 249.02,  
362/260, 296.07, 311.02

See application file for complete search history.

(56) **References Cited**

**U.S. PATENT DOCUMENTS**

2,195,154 A \* 3/1940 Scott ..... 362/225  
D121,094 S \* 6/1940 Heath ..... D26/75  
D122,864 S \* 10/1940 Dreyfuss ..... D26/75  
D169,999 S \* 7/1953 Ainsworth ..... D26/78  
4,751,627 A 6/1988 Usher  
D412,999 S \* 8/1999 Herst et al. .... D26/76  
6,540,373 B2 4/2003 Bailey

6,769,785 B1 8/2004 Herst et al.  
D525,738 S \* 7/2006 Waycaster et al. .... D26/76  
D536,468 S \* 2/2007 Crosby ..... D26/84  
D584,848 S \* 1/2009 Menke ..... D26/88  
D591,444 S \* 4/2009 Beno et al. .... D26/88  
D603,083 S \* 10/2009 Trumble et al. .... D26/90  
D613,897 S \* 4/2010 Thun ..... D26/88  
D632,004 S \* 2/2011 Waldmann ..... D26/88  
2003/0031011 A1 \* 2/2003 Miller et al. .... 362/150  
2008/0266842 A1 10/2008 Skidmore et al.

**FOREIGN PATENT DOCUMENTS**

DE 19801954 B4 7/2004  
DE 10348229 A1 5/2005  
DE 202008004795 U1 7/2008

**OTHER PUBLICATIONS**

English language abstract of DE 103 48 229 A1.  
English language abstract of DE 198 01 954 B4.  
English-language machine translation of DE 20 2008 004 795 U1.

\* cited by examiner

*Primary Examiner* — Angela J Lee

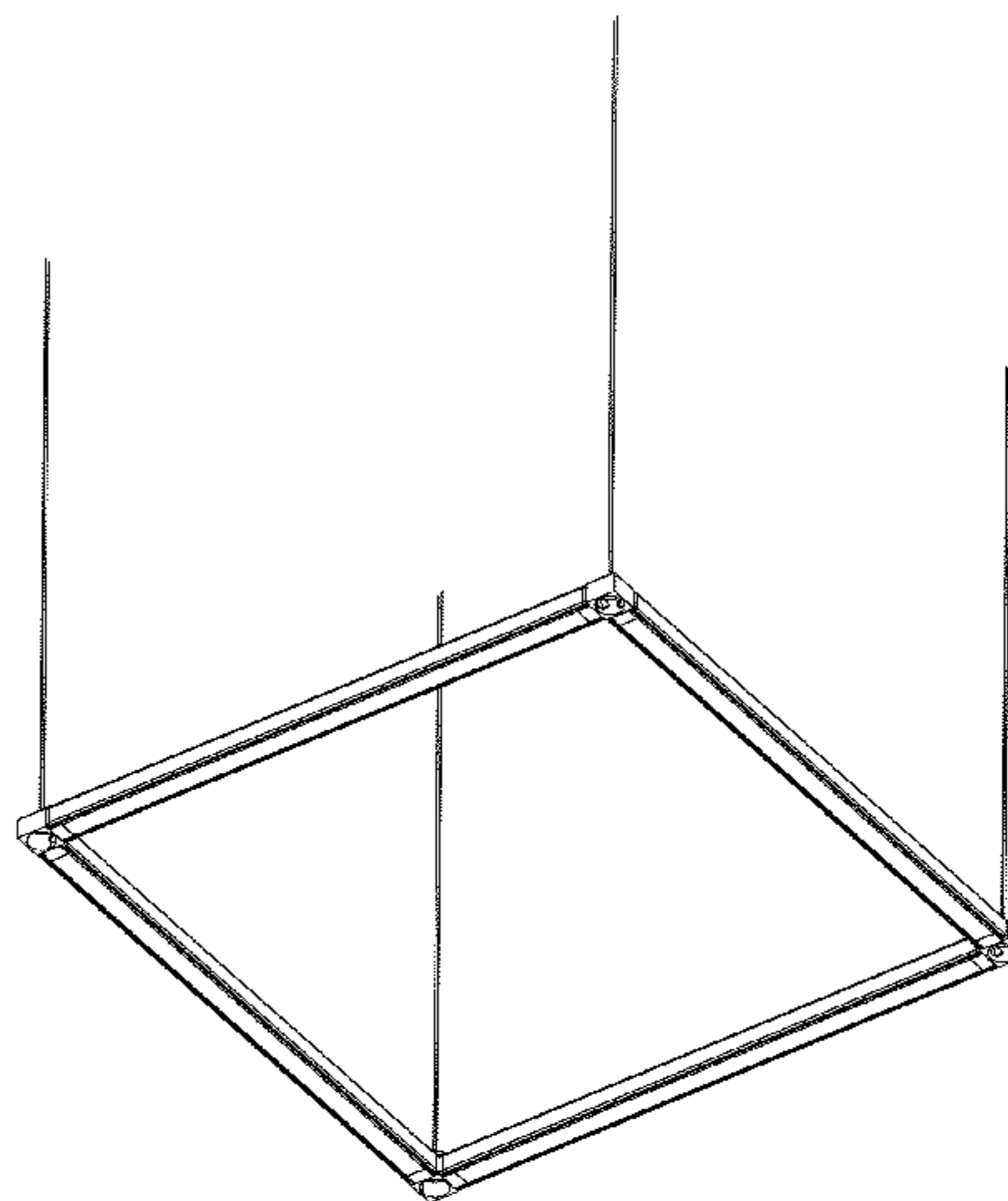
(57) **CLAIM**

The ornamental design for a luminaire, as shown and described.

**DESCRIPTION**

FIG. 1 is a bottom and side perspective view of a luminaire showing the new design; FIG. 2 is a bottom view thereof; and, FIG. 3 is a left side elevational view thereof; the right side, front and back elevational views being identical to the left side elevational view thereof.

**1 Claim, 2 Drawing Sheets**



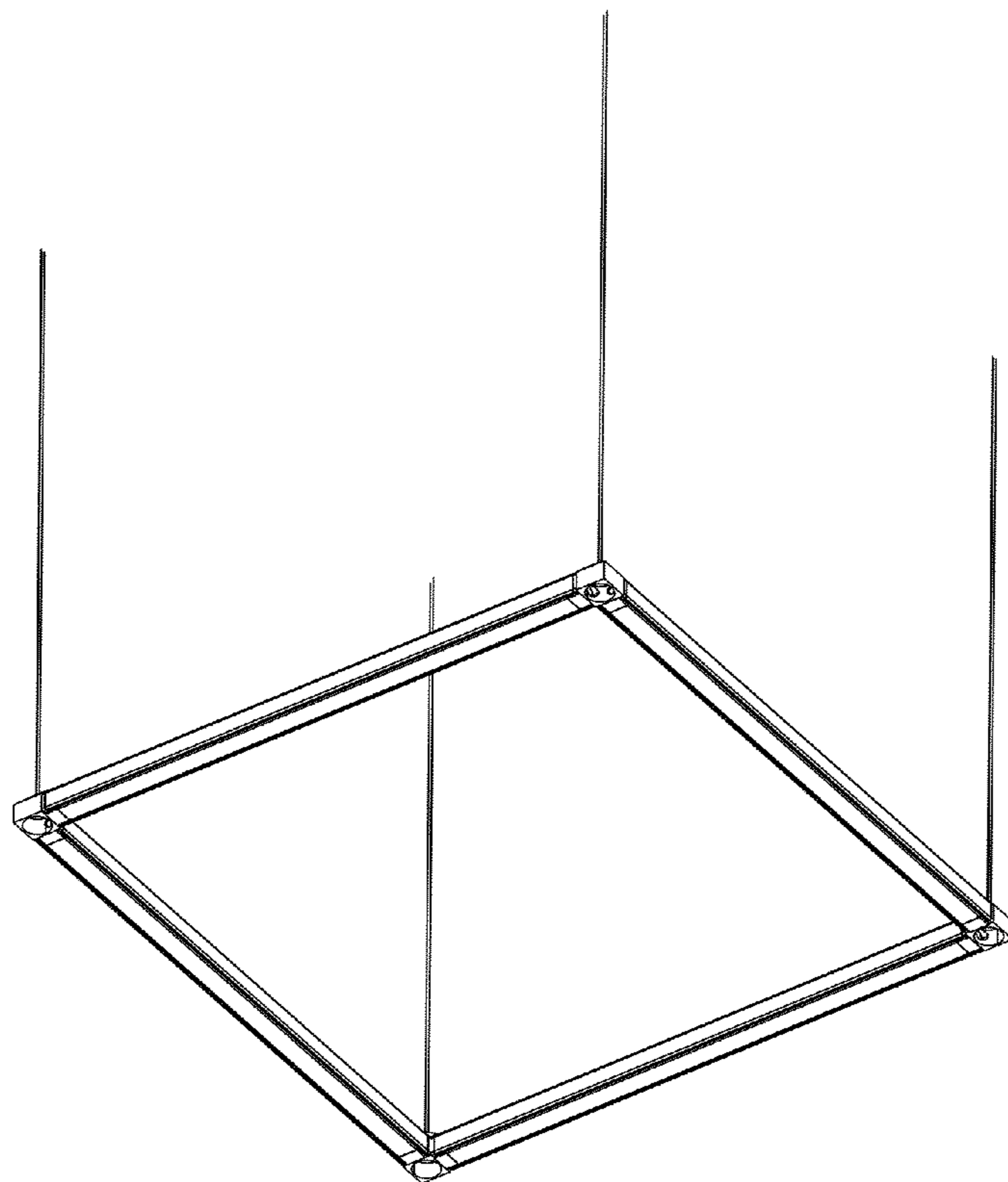


Fig. 1

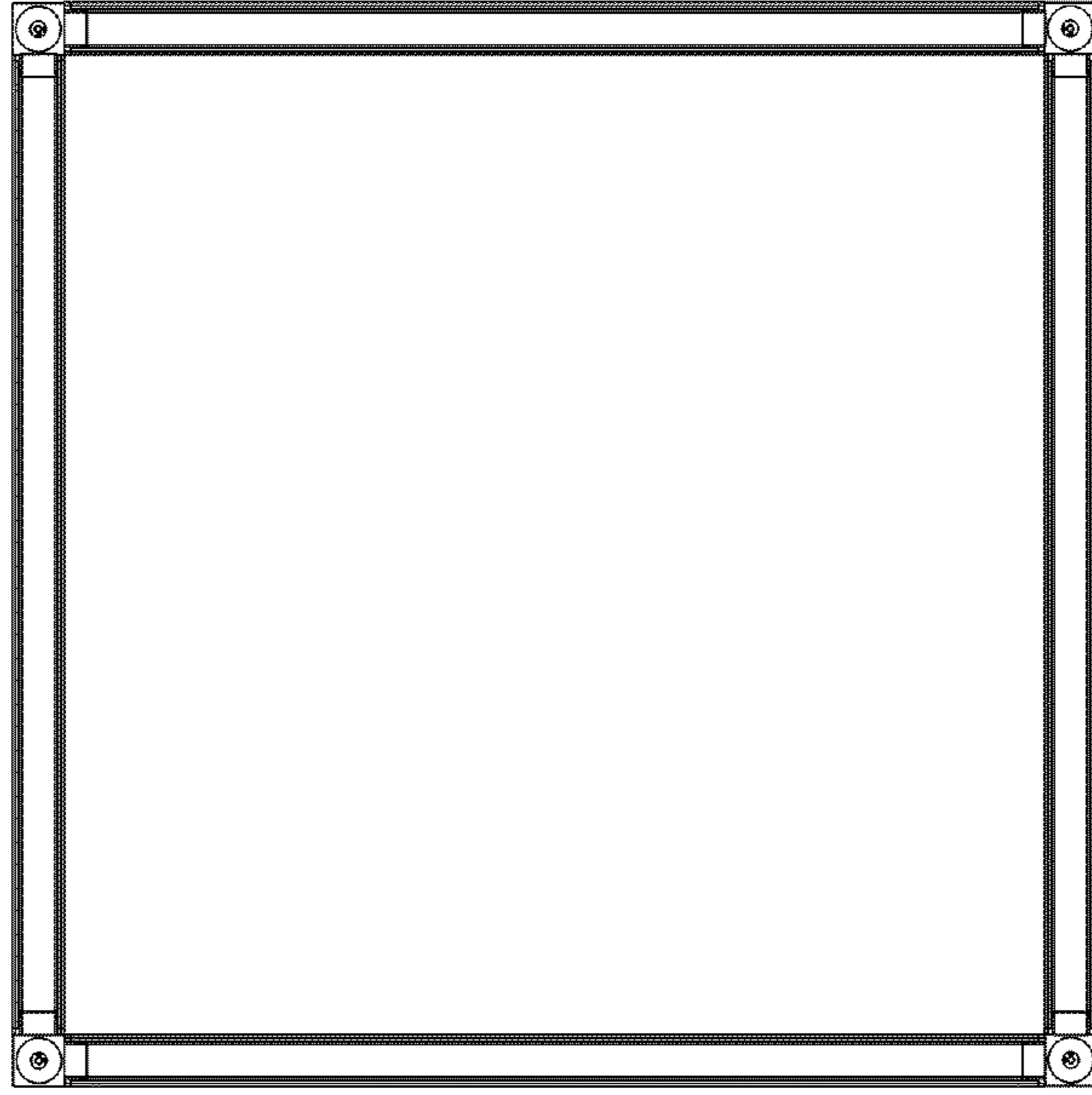


Fig. 2



Fig. 3