



US00D668368S

(12) **United States Design Patent**  
**Lu et al.**

(10) **Patent No.:** **US D668,368 S**  
(45) **Date of Patent:** **\*\* Oct. 2, 2012**

(54) **ILLUMINATION LAMP**

(75) Inventors: **Kuan-Pao Lu**, Hsin Pei (TW); **Zhi-Ting Ye**, Miao Li County (TW); **Tsung-Wen Chen**, Chang Hua County (TW); **Chin-Liang Chen**, Kao Hsiung (TW); **Ming-Chuan Lin**, Tai Chung (TW)

(73) Assignee: **Wintek Corporation**, Taichung (TW)

(\*\*) Term: **14 Years**

(21) Appl. No.: **29/410,379**

(22) Filed: **Jan. 6, 2012**

(30) **Foreign Application Priority Data**

Jul. 8, 2011 (TW) ..... 100303494

(51) **LOC (9) Cl.** ..... **26-04**

(52) **U.S. Cl.** ..... **D26/4**

(58) **Field of Classification Search** ..... D26/1-4;  
313/313, 315, 316, 317, 318, 493; 315/52,  
315/53, 56, 57, 58

See application file for complete search history.

(56) **References Cited**

**U.S. PATENT DOCUMENTS**

D481,140 S \* 10/2003 Chang ..... D26/2  
D487,596 S \* 3/2004 Callahan ..... D26/2

D543,288 S \* 5/2007 Bembridge ..... D26/2  
D597,228 S \* 7/2009 Chang ..... D26/4  
D645,170 S \* 9/2011 Parker et al. .... D26/4

\* cited by examiner

*Primary Examiner* — Marcus Jackson

(74) *Attorney, Agent, or Firm* — Muncy, Geissler, Olds & Lowe, PLLC

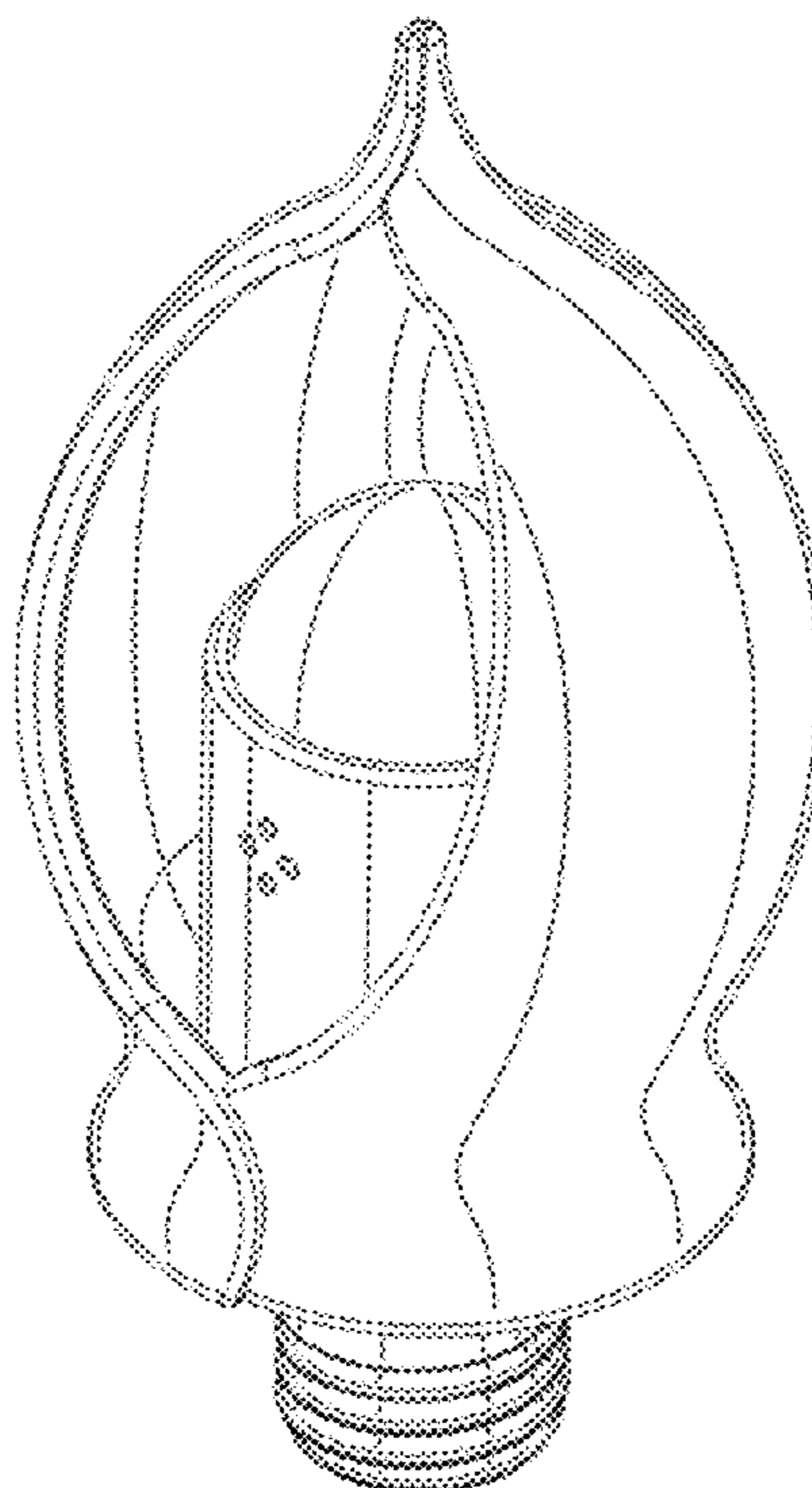
(57) **CLAIM**

The ornamental design for a illumination lamp, as shown and described.

**DESCRIPTION**

FIG. 1 shows a perspective view of an illumination lamp having the ornamental design of the present invention; FIG. 2 shows a front plan view of the illumination lamp of FIG. 1; FIG. 3 shows a back plan view of the illumination lamp of FIG. 1; FIG. 4 shows a left side plan view of the illumination lamp of FIG. 1; FIG. 5 shows a right side plan view of the illumination lamp of FIG. 1; FIG. 6 shows a top plan view of the illumination lamp of FIG. 1; and, FIG. 7 shows a bottom plan view of the illumination lamp of FIG. 1.

**1 Claim, 6 Drawing Sheets**



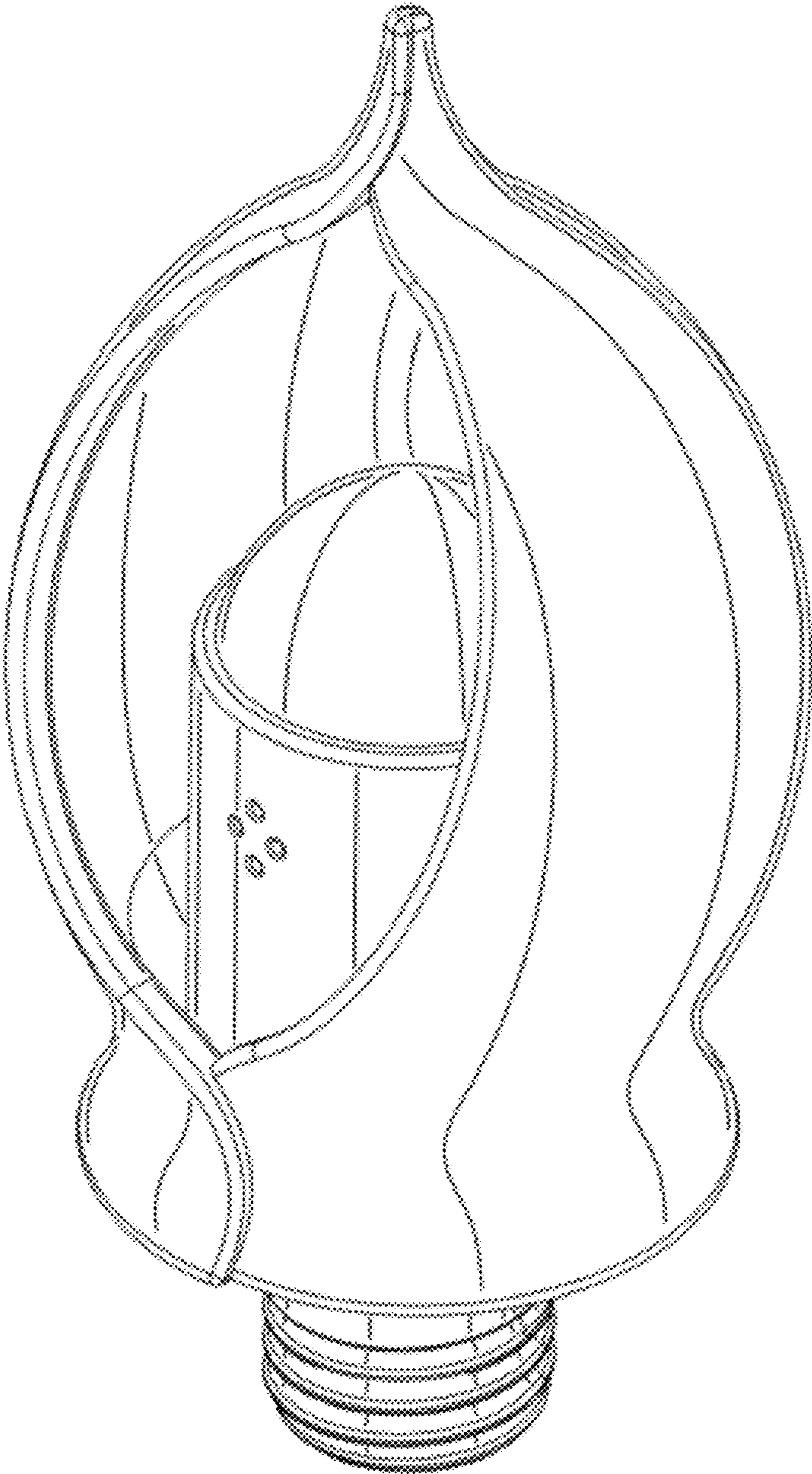


FIG. 1

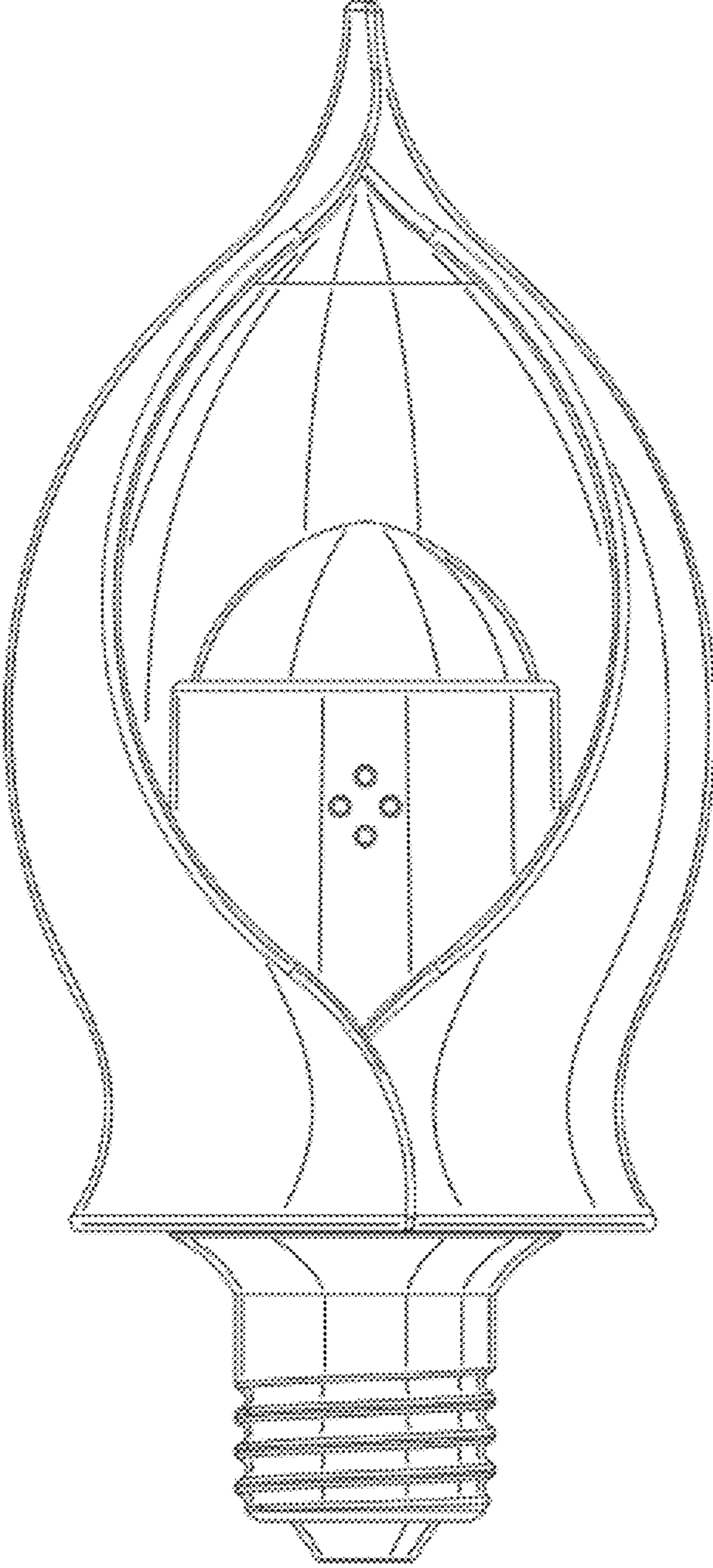


FIG. 2

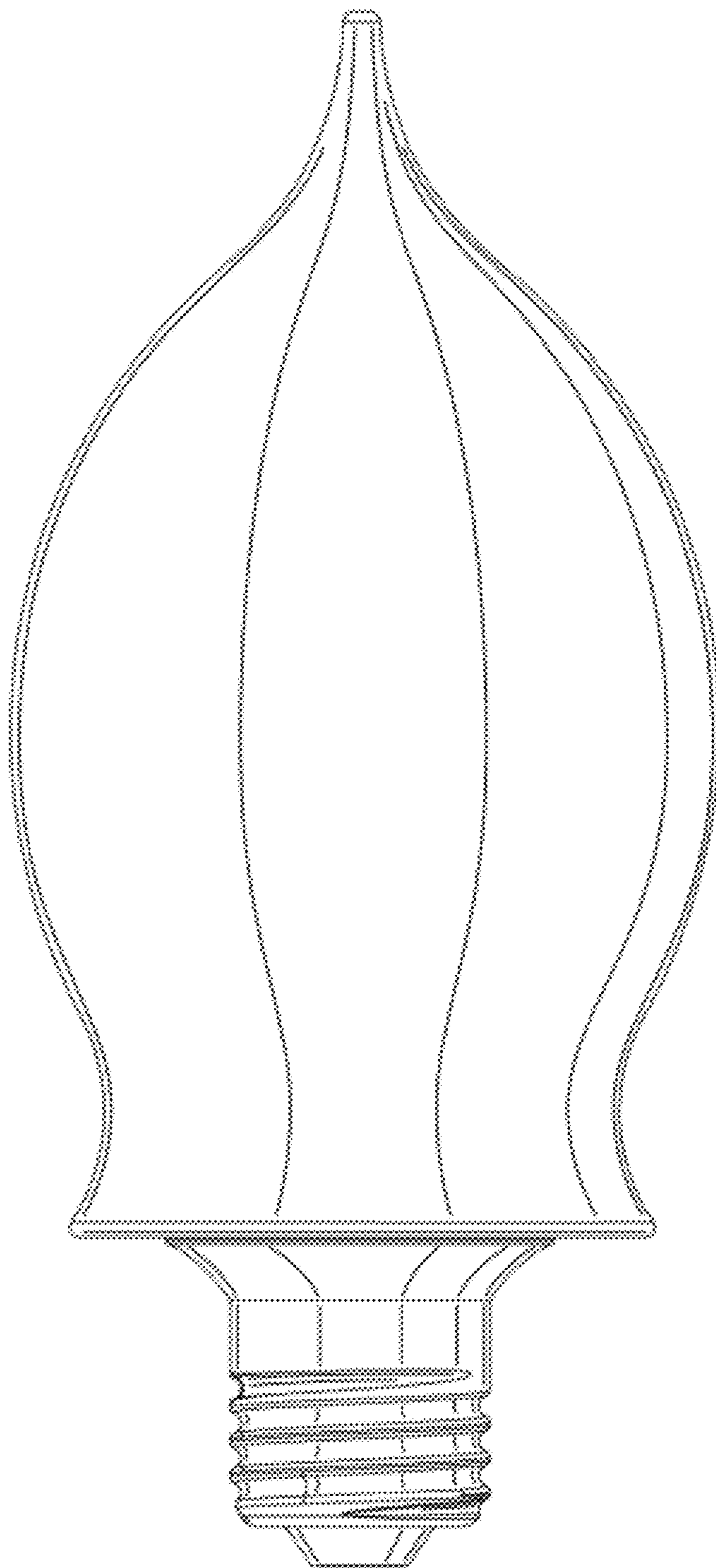


FIG. 3

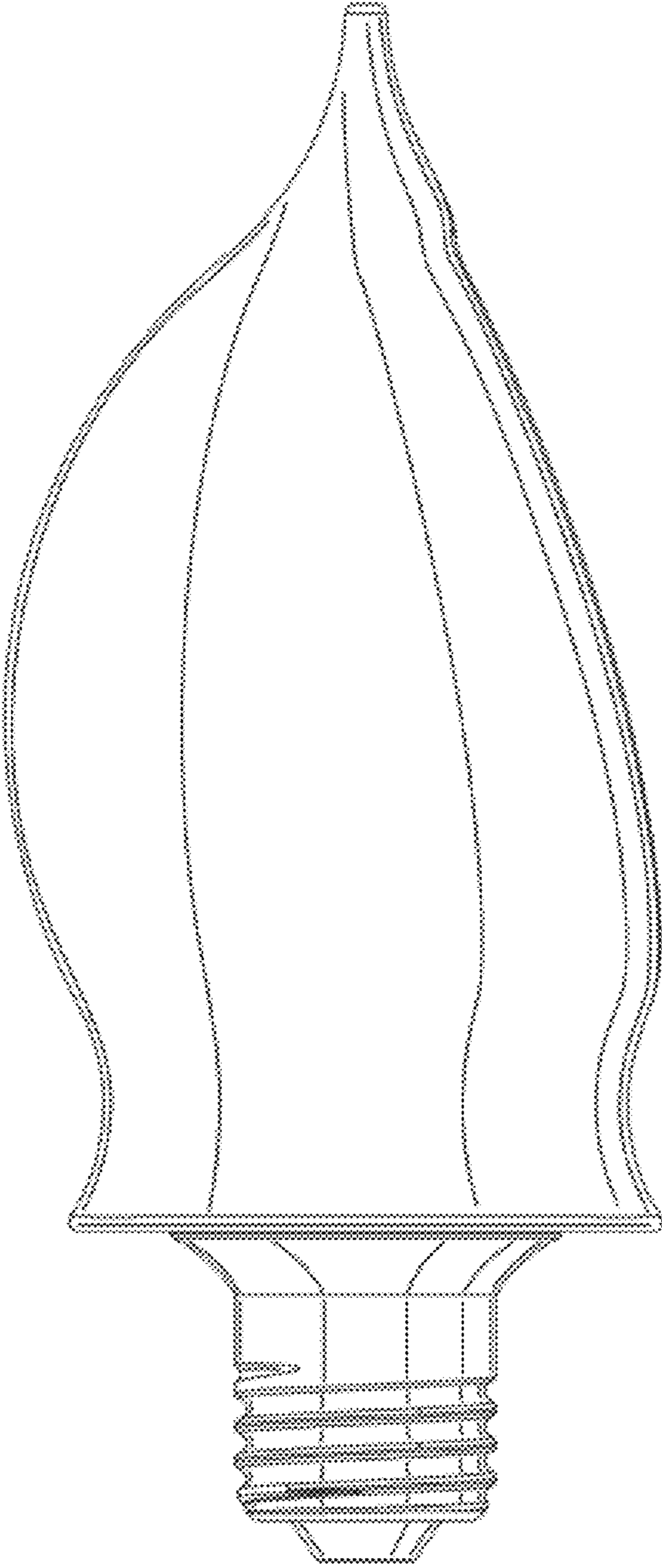


FIG. 4

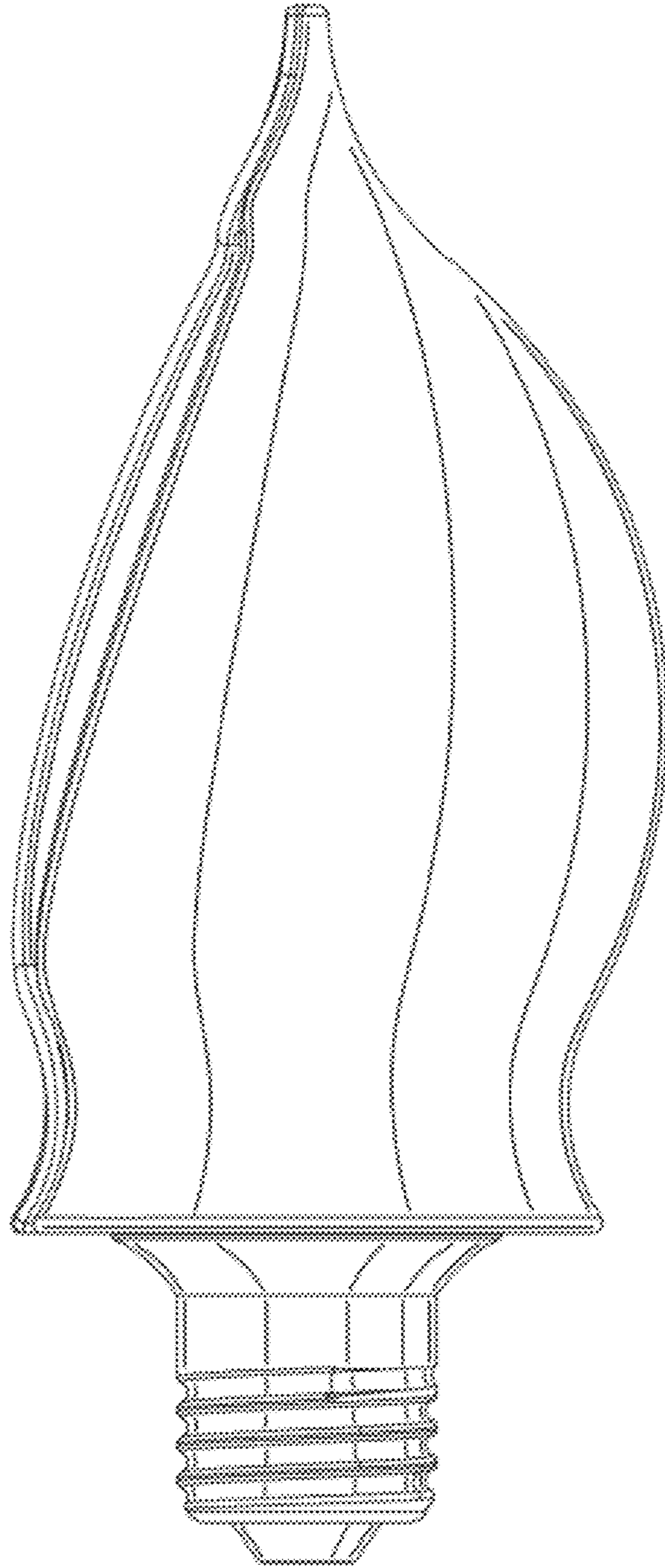


FIG. 5

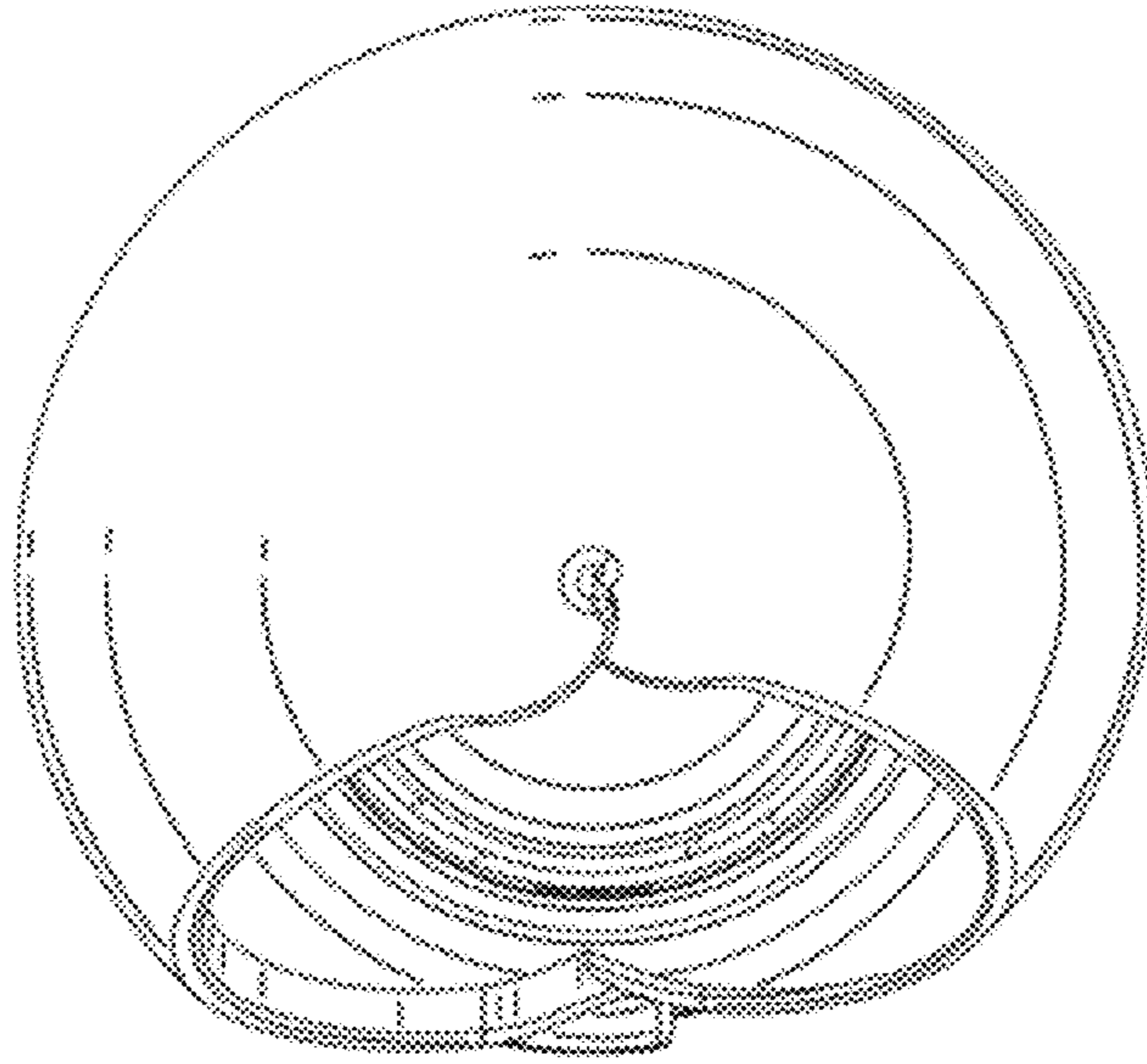


FIG. 6

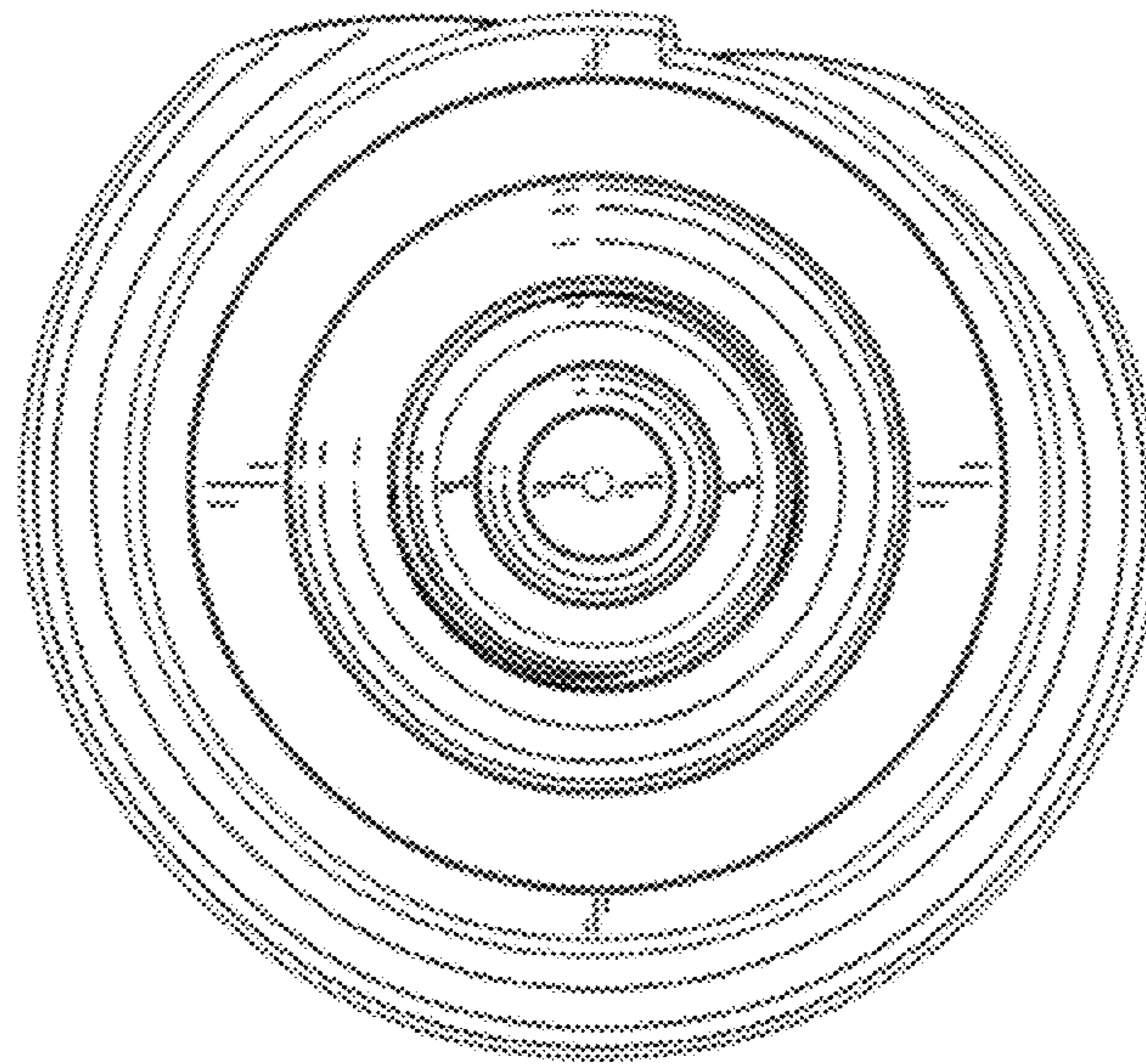


FIG. 7