

US00D668367S

(12) **United States Design Patent**  
**Sakamoto et al.**

(10) **Patent No.:** **US D668,367 S**  
(45) **Date of Patent:** **\*\* Oct. 2, 2012**

(54) **LED LIGHT BULB**  
(75) Inventors: **Mitsuhide Sakamoto**, Aichi (JP);  
**Toshiaki Yagi**, Aichi (JP); **Junichi**  
**Ando**, Aichi (JP)  
(73) Assignee: **S. K. G. Co., Ltd.**, Aichi (JP)  
(\*\*) Term: **14 Years**  
(21) Appl. No.: **29/418,534**  
(22) Filed: **Apr. 18, 2012**

**Related U.S. Application Data**

(62) Division of application No. 29/347,972, filed on Aug. 20, 2010, now Pat. No. Des. 662,231.

**Foreign Application Priority Data**

(30)  
Feb. 23, 2010 (JP) ..... 2010-004136  
Mar. 4, 2010 (JP) ..... 2010-005260  
Apr. 23, 2010 (JP) ..... 2010-010264  
Apr. 23, 2010 (JP) ..... 2010-010265  
May 24, 2010 (JP) ..... 2010-012635  
May 24, 2010 (JP) ..... 2010-012636  
May 24, 2010 (JP) ..... 2010-012637  
May 24, 2010 (JP) ..... 2010-012638

(51) **LOC (9) Cl.** ..... **26-04**  
(52) **U.S. Cl.** ..... **D26/2**  
(58) **Field of Classification Search** ..... D26/1-5,  
D26/113, 120, 138; 313/313, 315, 316, 317,  
313/318; 315/52, 53, 56, 57, 58; 362/290,  
362/294, 309; D13/110, 180  
See application file for complete search history.

**References Cited**

**U.S. PATENT DOCUMENTS**

D289,798 S 5/1987 Joosten  
4,777,405 A 10/1988 Hermes et al.  
4,792,726 A 12/1988 Gandhi  
D304,030 S 10/1989 Vakil

D346,456 S 4/1994 Matsumura et al.  
D347,076 S 5/1994 DeKleine et al.  
D347,077 S 5/1994 DeKleine et al.  
5,309,062 A 5/1994 Perkins et al.  
5,546,291 A 8/1996 Simes  
5,575,459 A 11/1996 Anderson  
D383,224 S 9/1997 Sangen et al.  
D417,296 S 11/1999 Kato et al.  
7,014,337 B2 3/2006 Chen  
D574,091 S 7/2008 Sun  
7,434,964 B1 10/2008 Zheng et al.  
7,492,103 B2 2/2009 Hwang  
7,513,653 B1 4/2009 Liu et al.  
7,585,090 B2 9/2009 Wu  
7,637,636 B2 12/2009 Zheng et al.  
D629,537 S 12/2010 Hsu et al.  
D630,348 S 1/2011 Duan et al.  
D631,567 S 1/2011 Lodhie  
D641,895 S 7/2011 Huang  
8,072,123 B1 12/2011 Han  
8,092,045 B2 1/2012 Xiao et al.  
D662,231 S \* 6/2012 Sakamoto et al. .... D26/2  
2004/0114367 A1 6/2004 Li  
2007/0159828 A1 7/2007 Wang  
2008/0013318 A1 1/2008 Sun et al.  
2008/0316755 A1 12/2008 Zheng et al.  
2011/0156584 A1 6/2011 Kim

\* cited by examiner

*Primary Examiner* — Marcus Jackson

(74) *Attorney, Agent, or Firm* — Rabin & Berdo, P.C.

(57) **CLAIM**

The ornamental design for an LED light bulb, as shown and described.

**DESCRIPTION**

FIG. 1 is a perspective view of the LED light bulb;  
FIG. 2 is a front view thereof;  
FIG. 3 is a rear view thereof;  
FIG. 4 is a plan view thereof;  
FIG. 5 is a bottom plan view thereof;  
FIG. 6 is a right side view thereof; and,  
FIG. 7 is a left side view thereof.

**1 Claim, 3 Drawing Sheets**

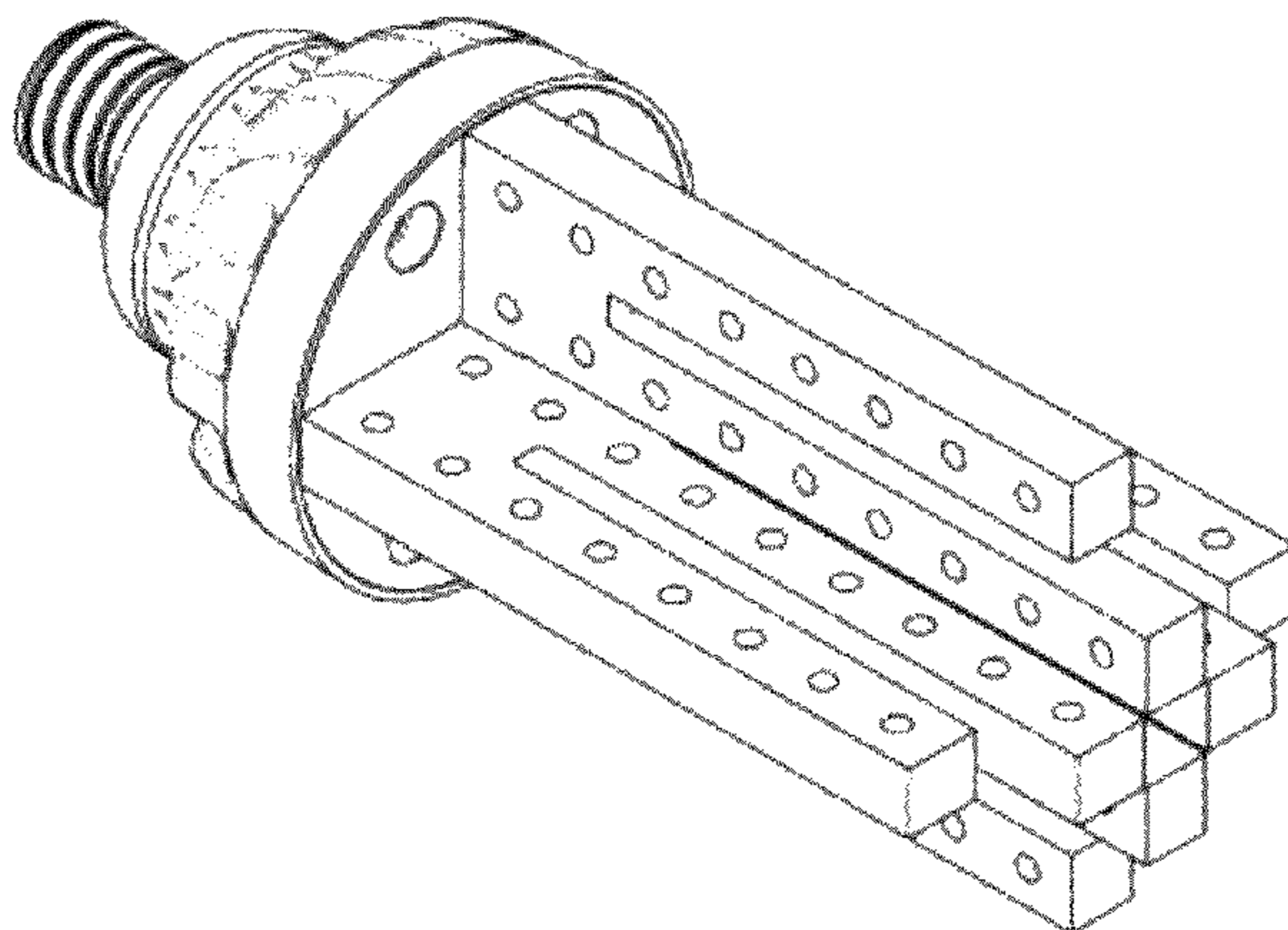


FIGURE 1

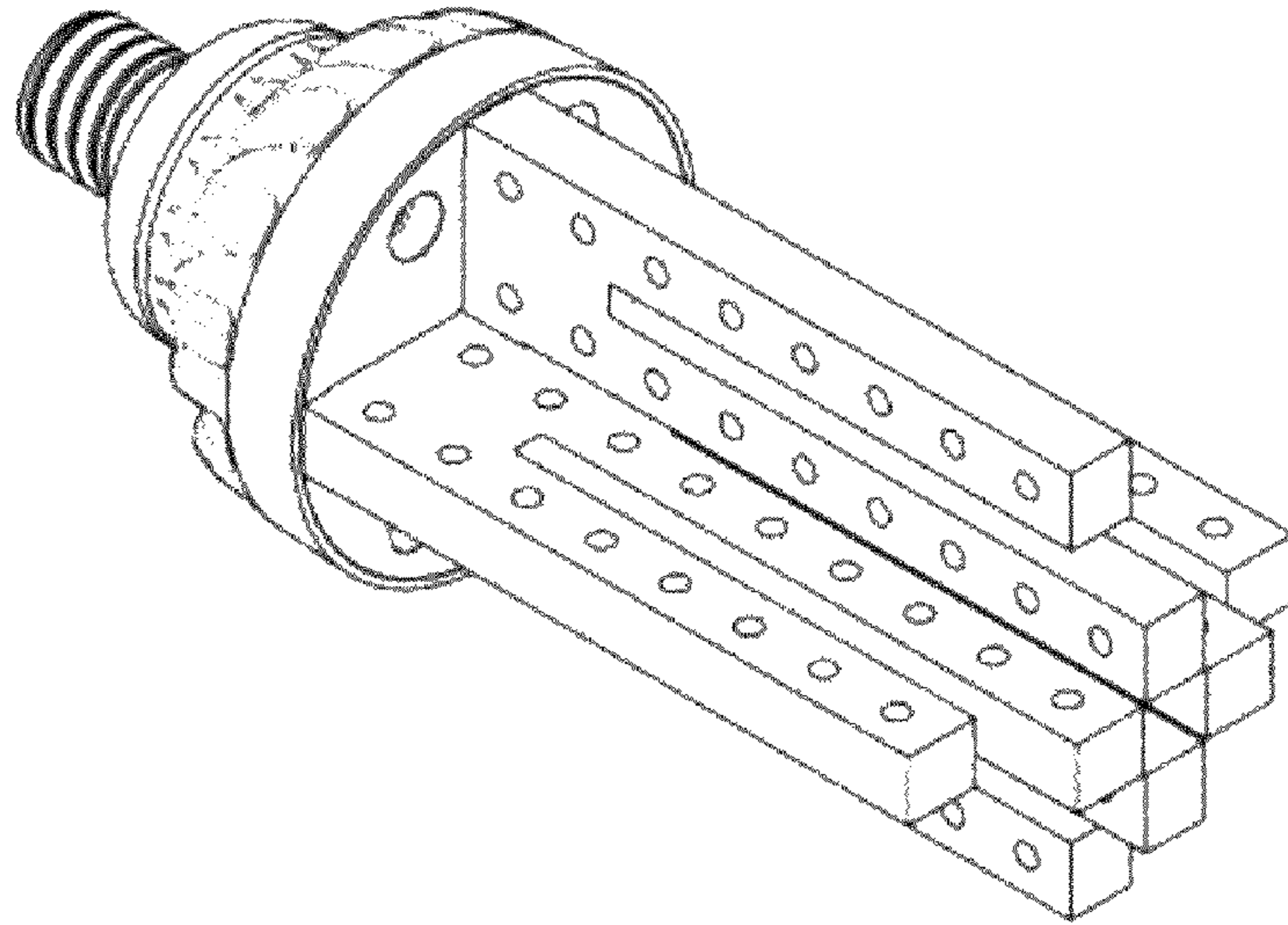


FIGURE 2

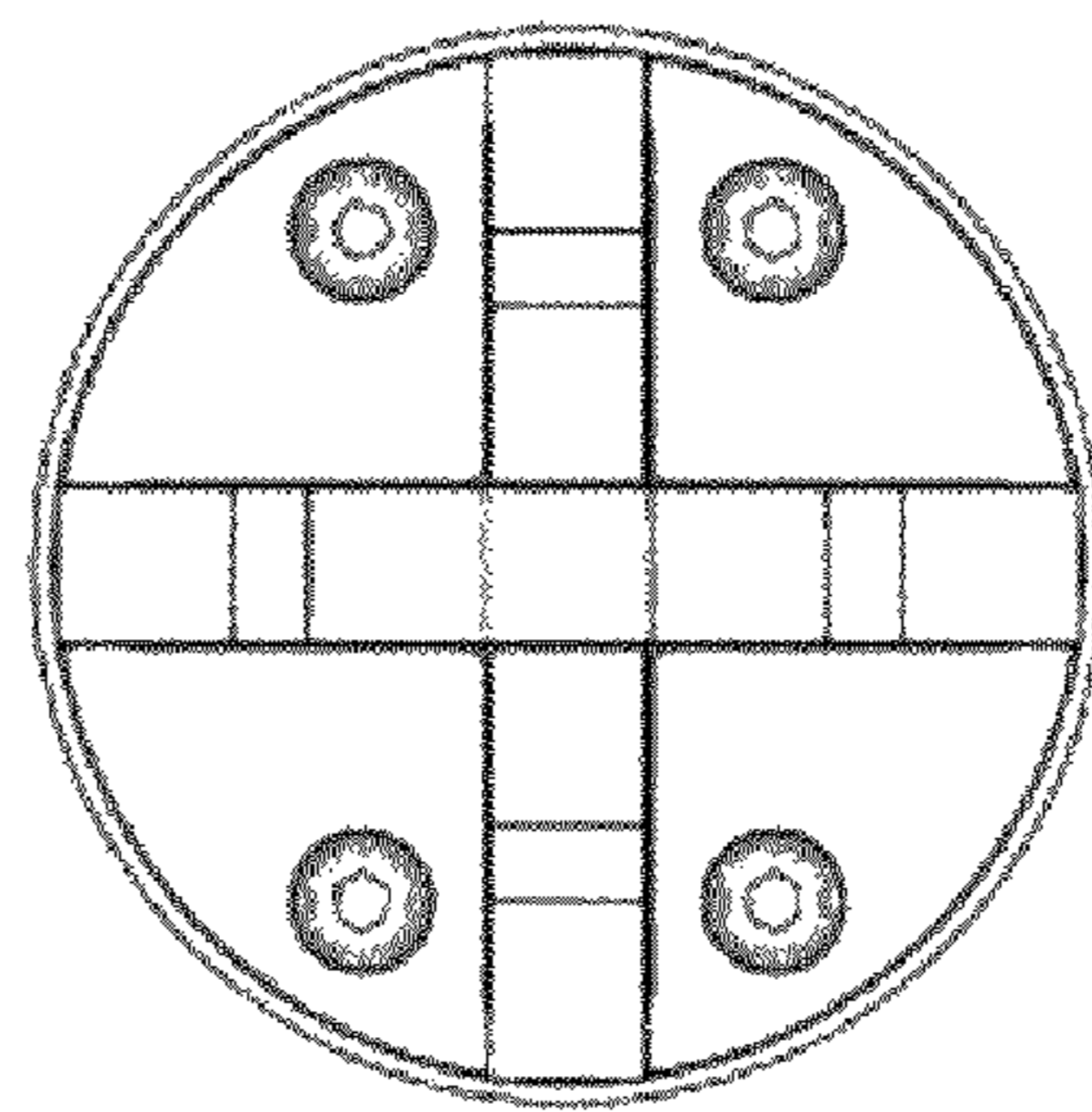


FIGURE 3

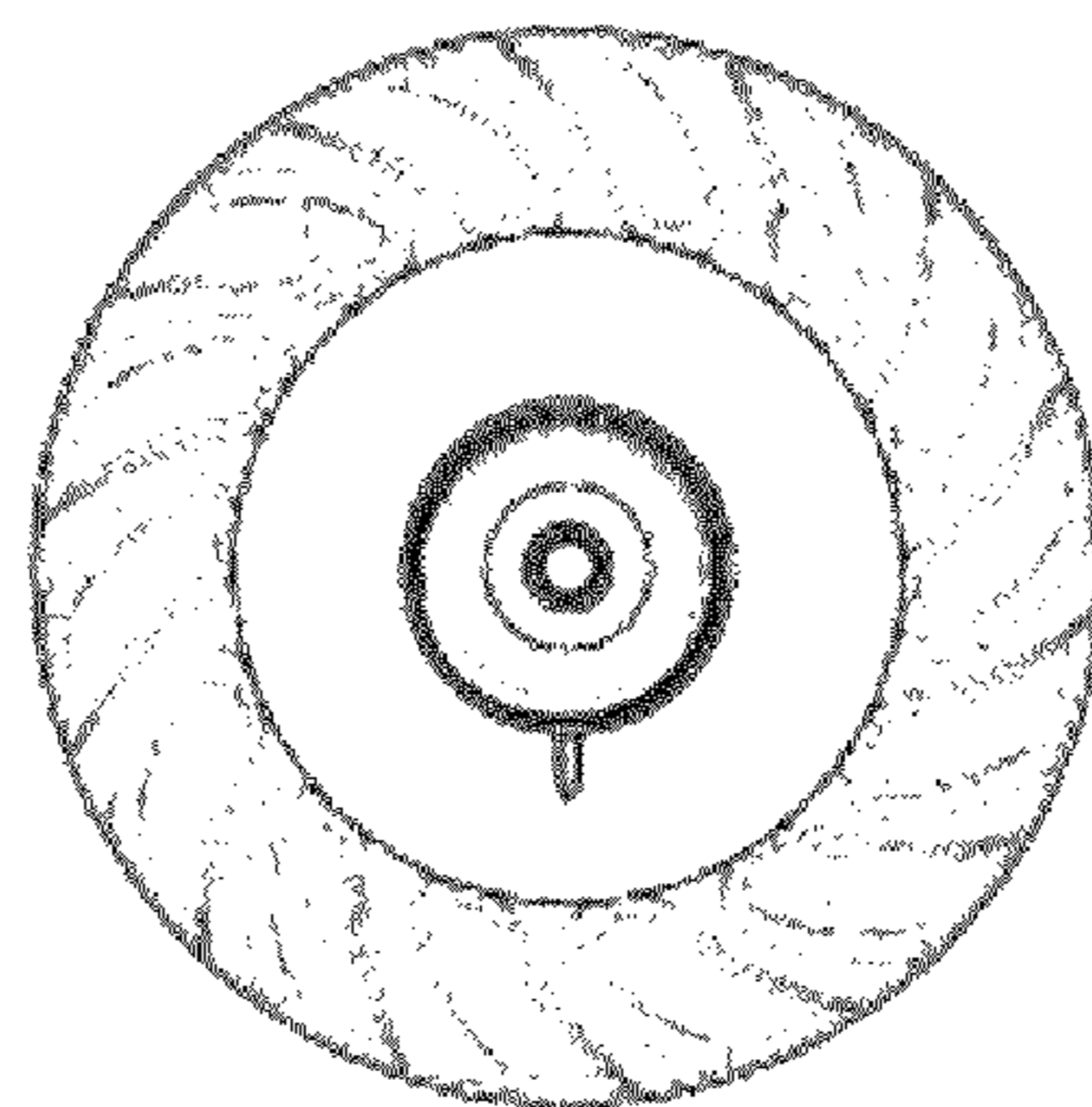


FIGURE 4

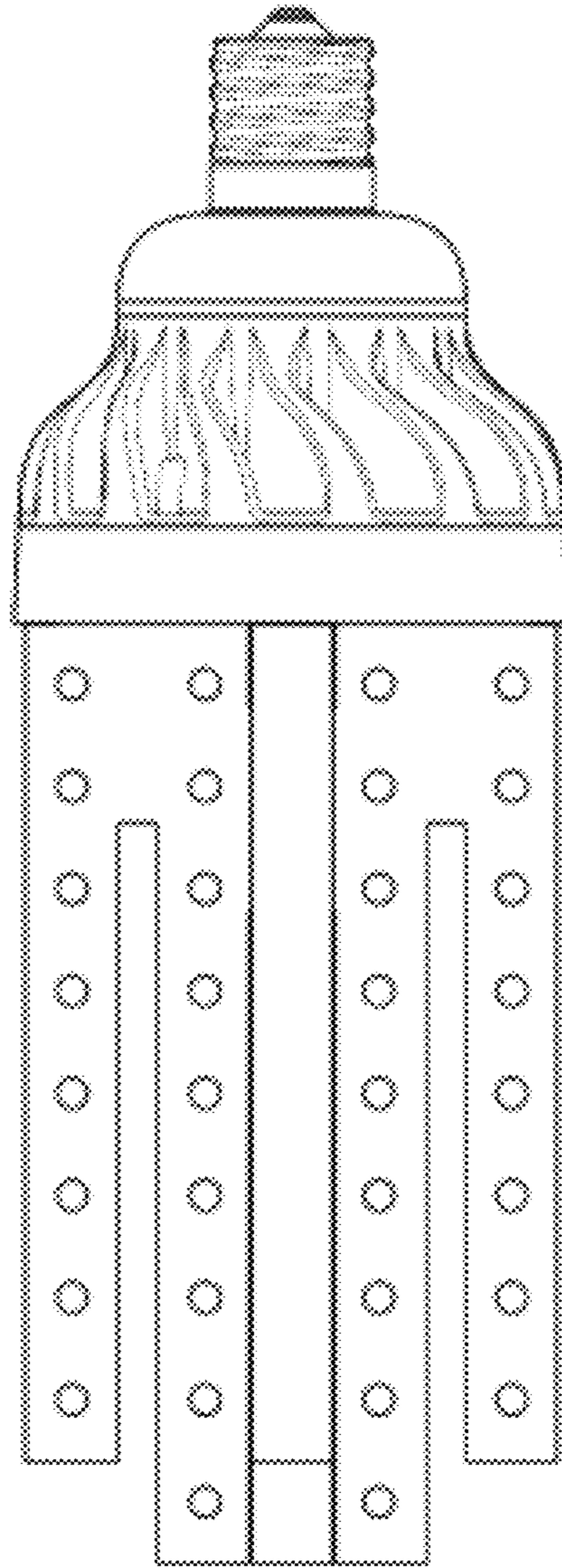


FIGURE 5

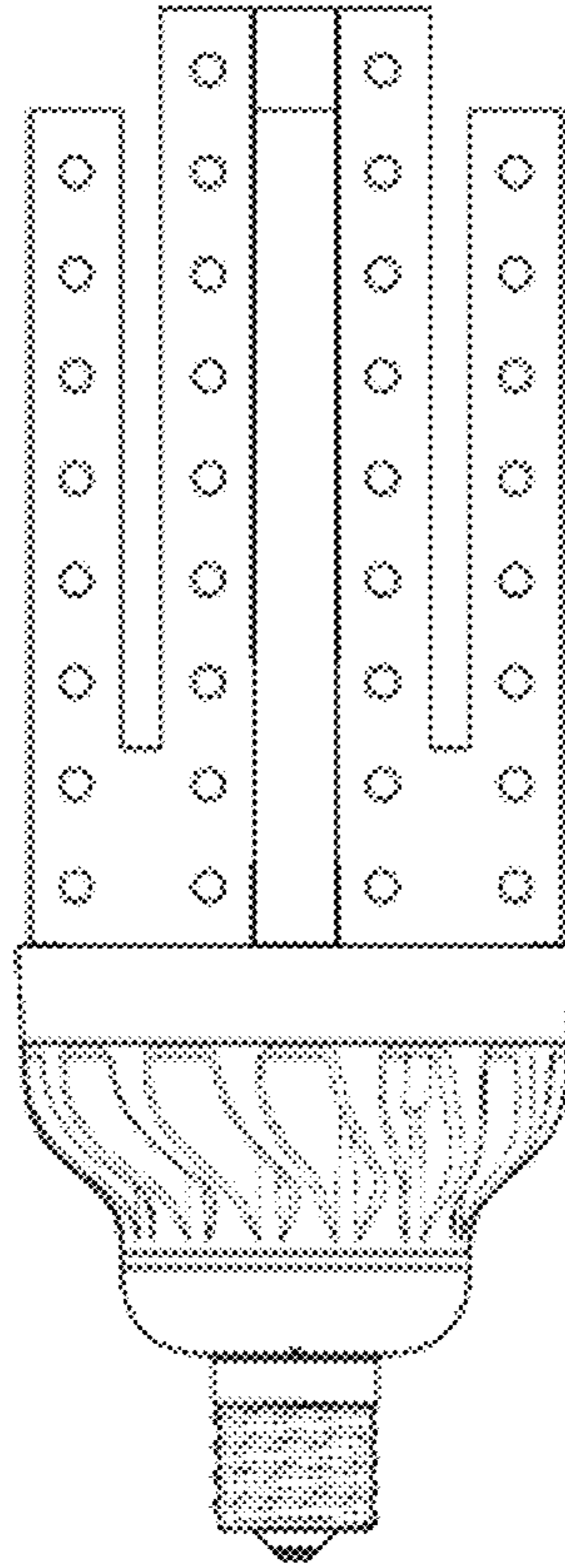


FIGURE 6

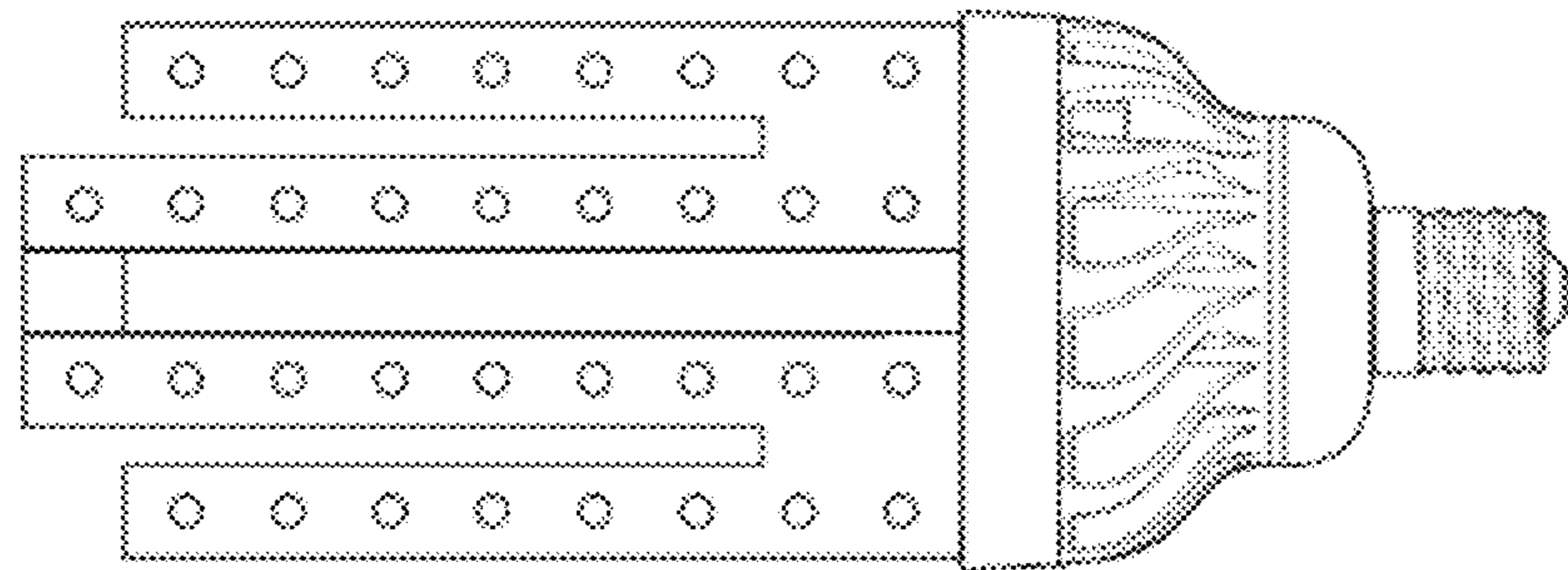


FIGURE 7

