



US00D668365S

(12) **United States Design Patent**
Sakamoto et al.

(10) **Patent No.:** **US D668,365 S**

(45) **Date of Patent:** **** Oct. 2, 2012**

(54) **LED LIGHT BULB**

(75) Inventors: **Mitsuhide Sakamoto**, Aichi (JP);
Toshiaki Yagi, Aichi (JP); **Junichi**
Ando, Aichi (JP)

(73) Assignee: **S. K. G. Co., Ltd.**, Aichi (JP)

(**) Term: **14 Years**

(21) Appl. No.: **29/418,455**

(22) Filed: **Apr. 17, 2012**

Related U.S. Application Data

(62) Division of application No. 29/347,973, filed on Aug. 20, 2010, now Pat. No. Des. 663,445.

(30) **Foreign Application Priority Data**

Feb. 23, 2010 (JP) 2010-004144
Feb. 23, 2010 (JP) 2010-004145
Apr. 23, 2010 (JP) 2010-010261
Apr. 23, 2010 (JP) 2010-010263
Apr. 23, 2010 (JP) 2010-010264
Apr. 23, 2010 (JP) 2010-010265
May 24, 2010 (JP) 2010-012634

(51) **LOC (9) Cl.** **26-04**

(52) **U.S. Cl.** **D26/2**

(58) **Field of Classification Search** D26/1-4;
313/313, 315, 316, 317, 318, 493; 315/52,
315/53, 56, 57, 58; 362/294.02, 309
See application file for complete search history.

(56) **References Cited**

U.S. PATENT DOCUMENTS

D289,798 S * 5/1987 Joosten D26/3
4,777,405 A 10/1988 Hermes et al.
4,792,726 A * 12/1988 Gandhi 315/52
D304,030 S 10/1989 Vakil
D346,456 S 4/1994 Matsumura et al.
D347,076 S 5/1994 DeKleine et al.
D347,077 S 5/1994 DeKleine et al.

5,309,062 A 5/1994 Perkins et al.
5,546,291 A 8/1996 Simes
5,575,459 A 11/1996 Anderson
D383,224 S 9/1997 Sangen et al.
D417,296 S 11/1999 Kato et al.
7,014,337 B2 3/2006 Chen
D574,091 S 7/2008 Sun
7,434,964 B1 10/2008 Zheng et al.
7,492,103 B2 2/2009 Hwang
7,513,653 B1 4/2009 Liu et al.
7,585,090 B2 9/2009 Wu
7,637,636 B2 12/2009 Zheng et al.
D629,537 S 12/2010 Hsu et al.
D630,348 S * 1/2011 Duan D26/2
D631,567 S * 1/2011 Lodhie D26/2
D641,895 S 7/2011 Huang
8,072,123 B1 12/2011 Han
8,092,045 B2 1/2012 Xiao et al.
D662,231 S * 6/2012 Sakamoto et al. D26/2
2004/0114367 A1 6/2004 Li
2007/0159828 A1 7/2007 Wang
2008/0013318 A1 1/2008 Sun et al.
2008/0316755 A1 12/2008 Zheng et al.
2011/0156584 A1 6/2011 Kim

* cited by examiner

Primary Examiner — Marcus Jackson

(74) *Attorney, Agent, or Firm* — Rabin & Berdo, P.C.

(57) **CLAIM**

The ornamental design for an LED light bulb, as shown and described.

DESCRIPTION

FIG. 1 is a perspective view of the LED light bulb;
FIG. 2 is a front view thereof;
FIG. 3 is a rear view thereof;
FIG. 4 is a plan view thereof;
FIG. 5 is a bottom plan view thereof;
FIG. 6 is a right side view thereof; and,
FIG. 7 is a left side view thereof.

The portions of the LED light bulb that are shown in broken lines throughout the drawings are for illustrative purposes only and form no part of the claimed design.

1 Claim, 3 Drawing Sheets

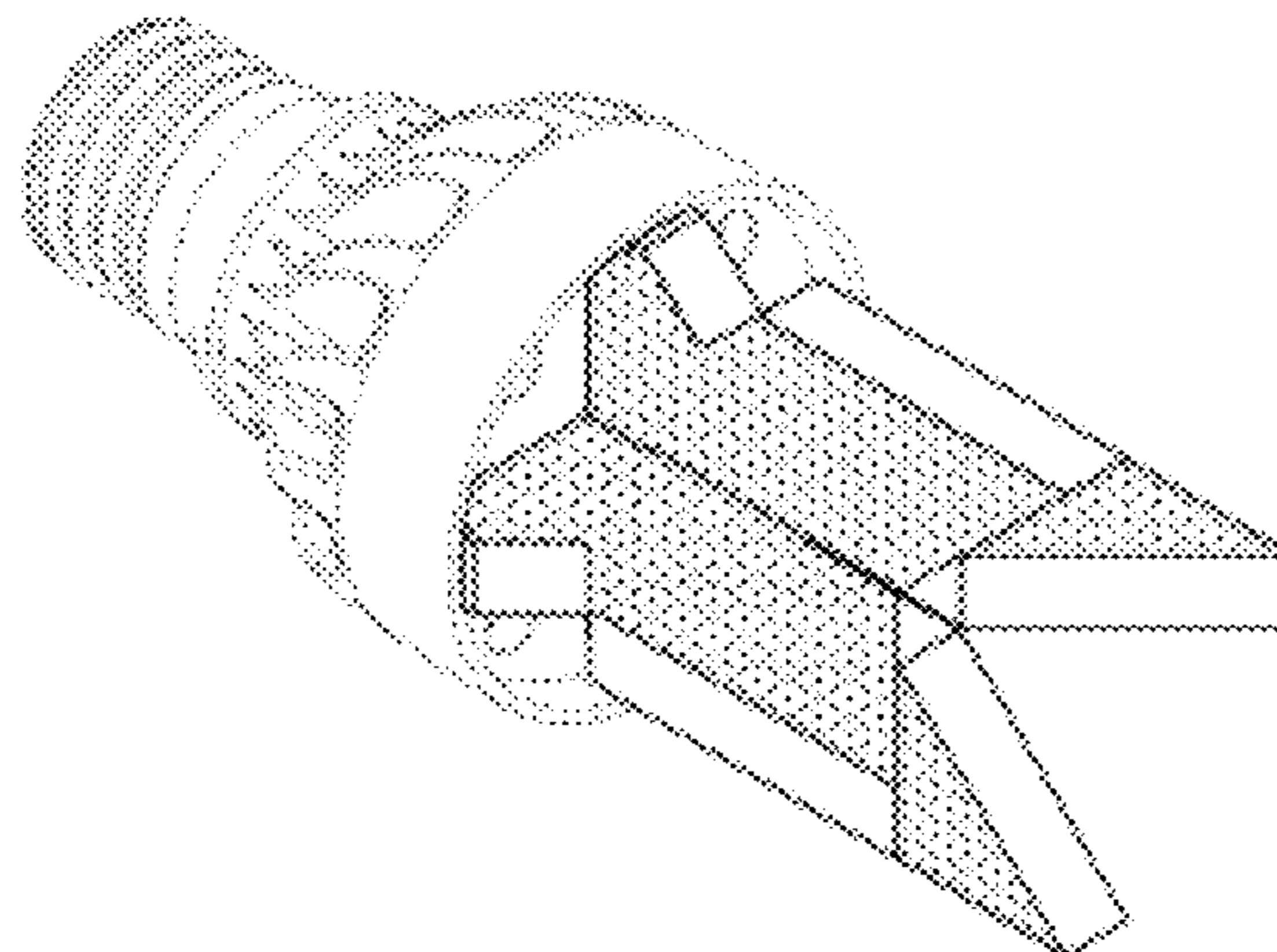


FIGURE 1

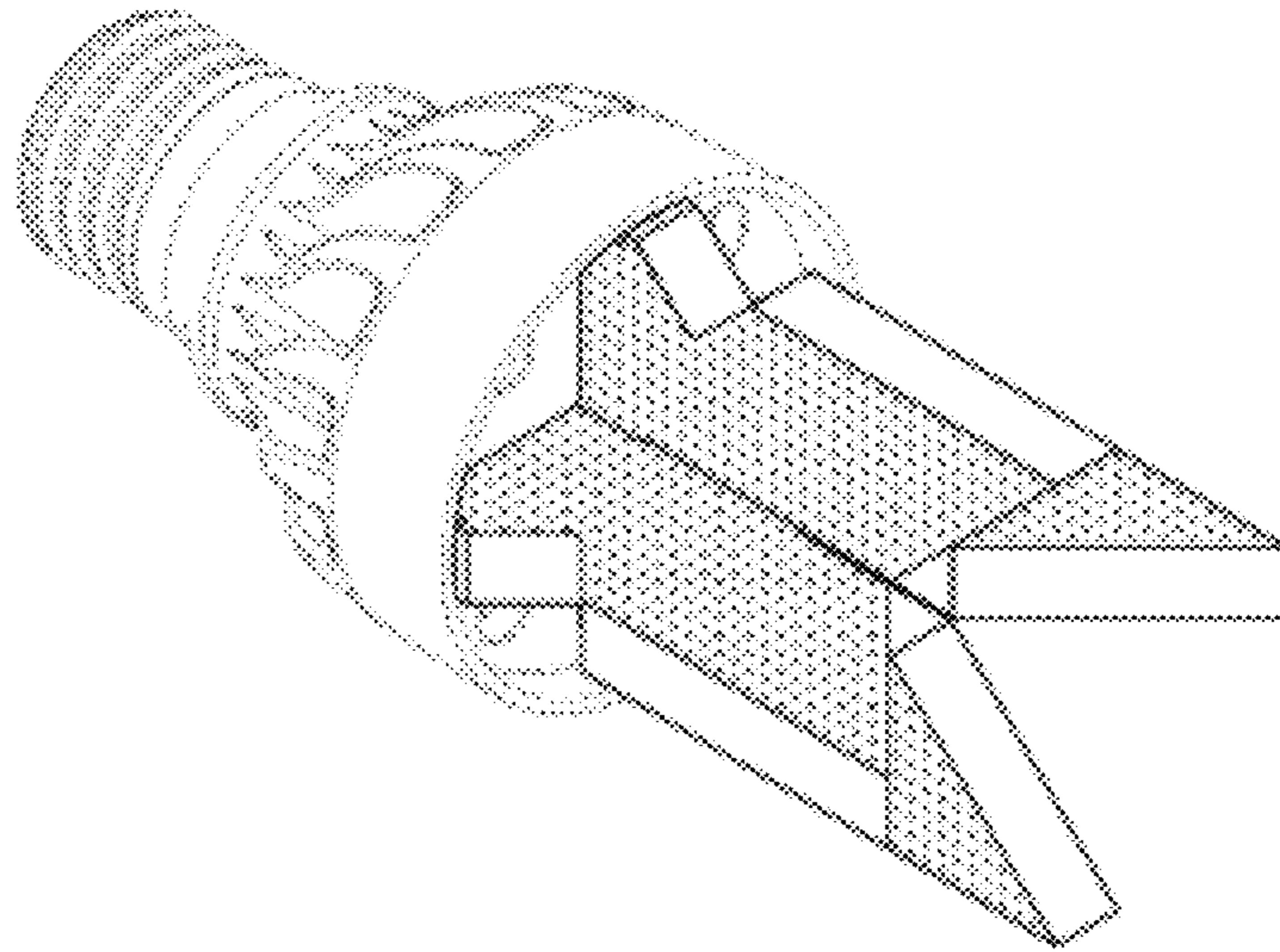


FIGURE 2

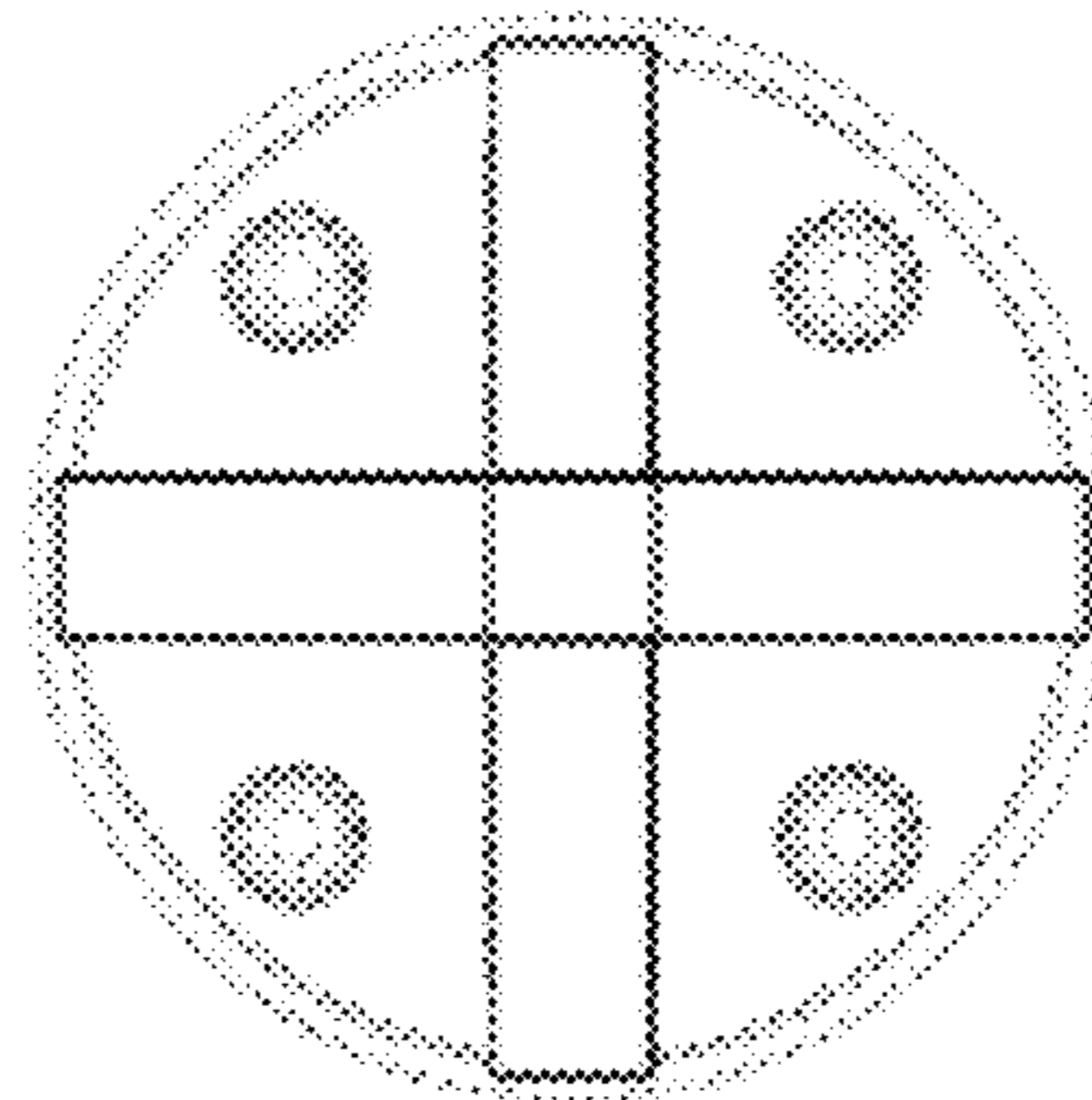


FIGURE 3

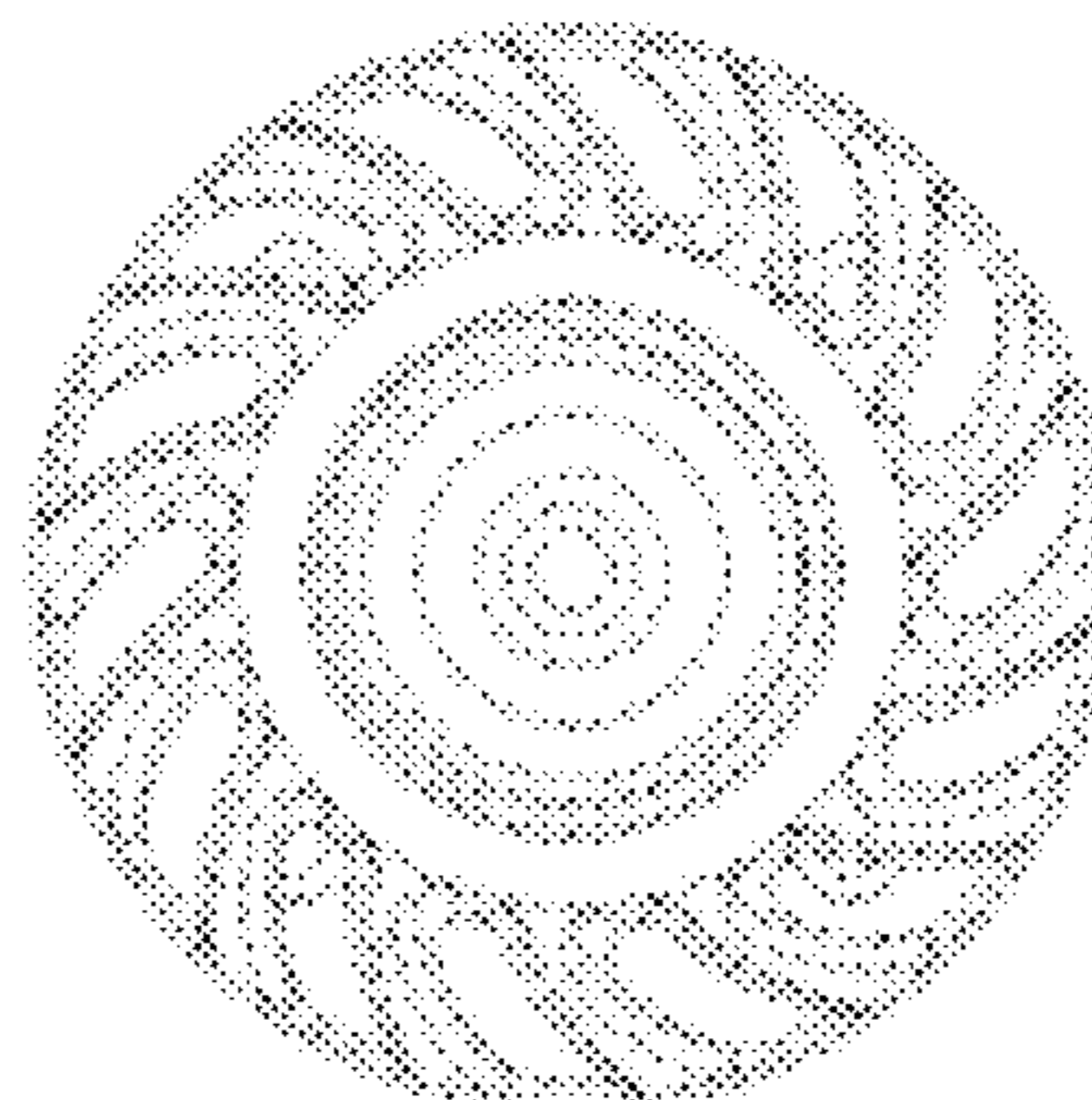


FIGURE 4

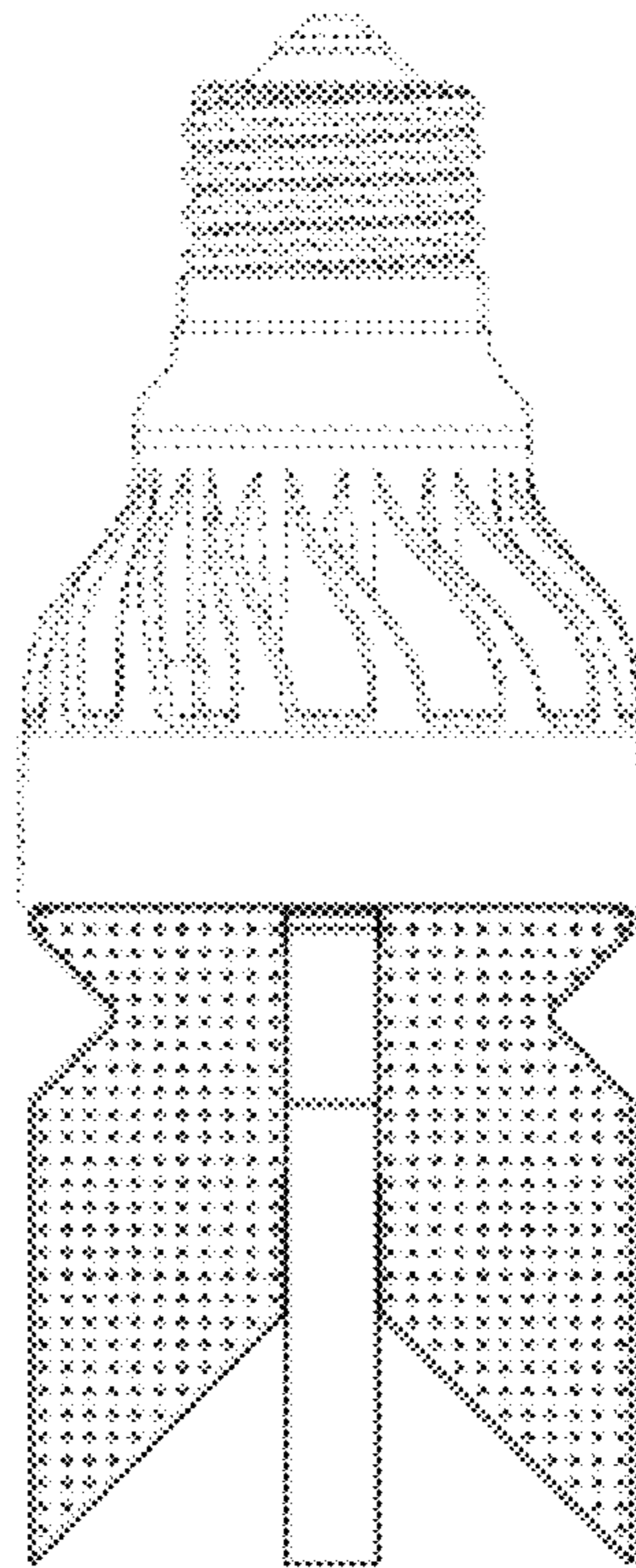


FIGURE 5

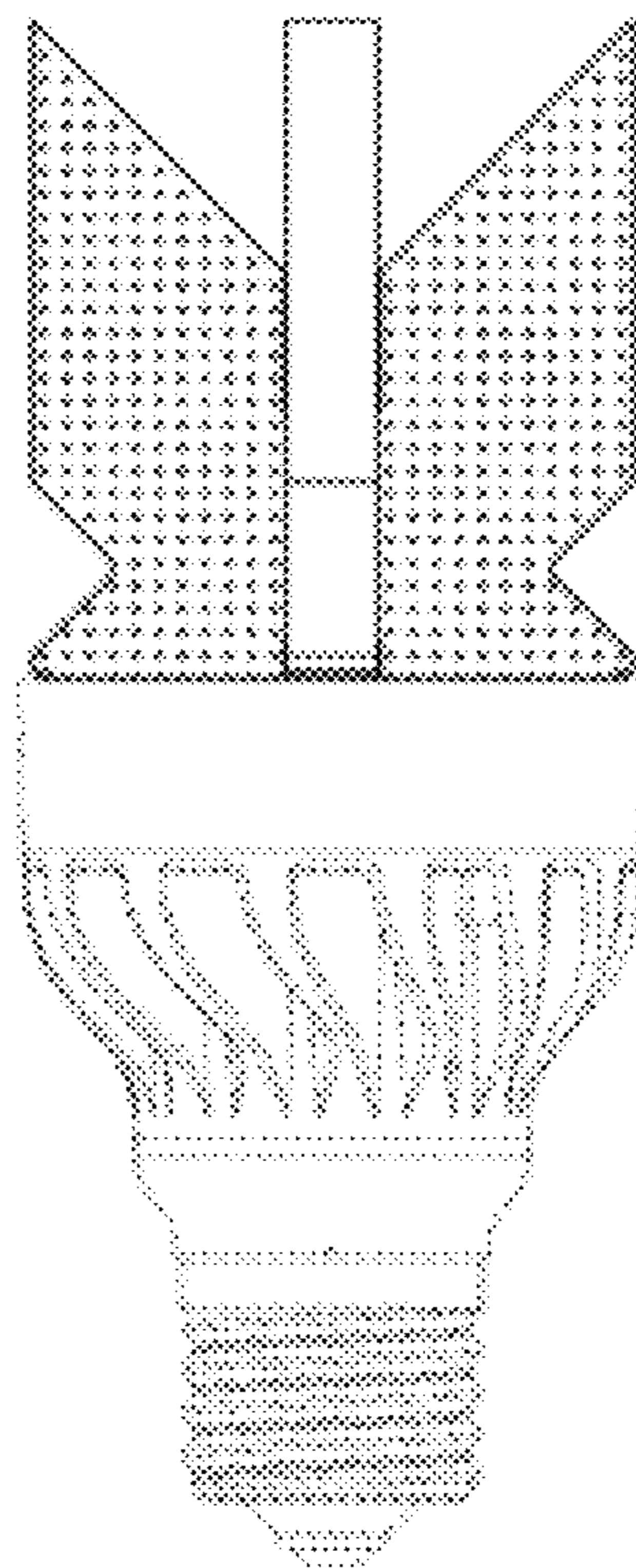


FIGURE 6

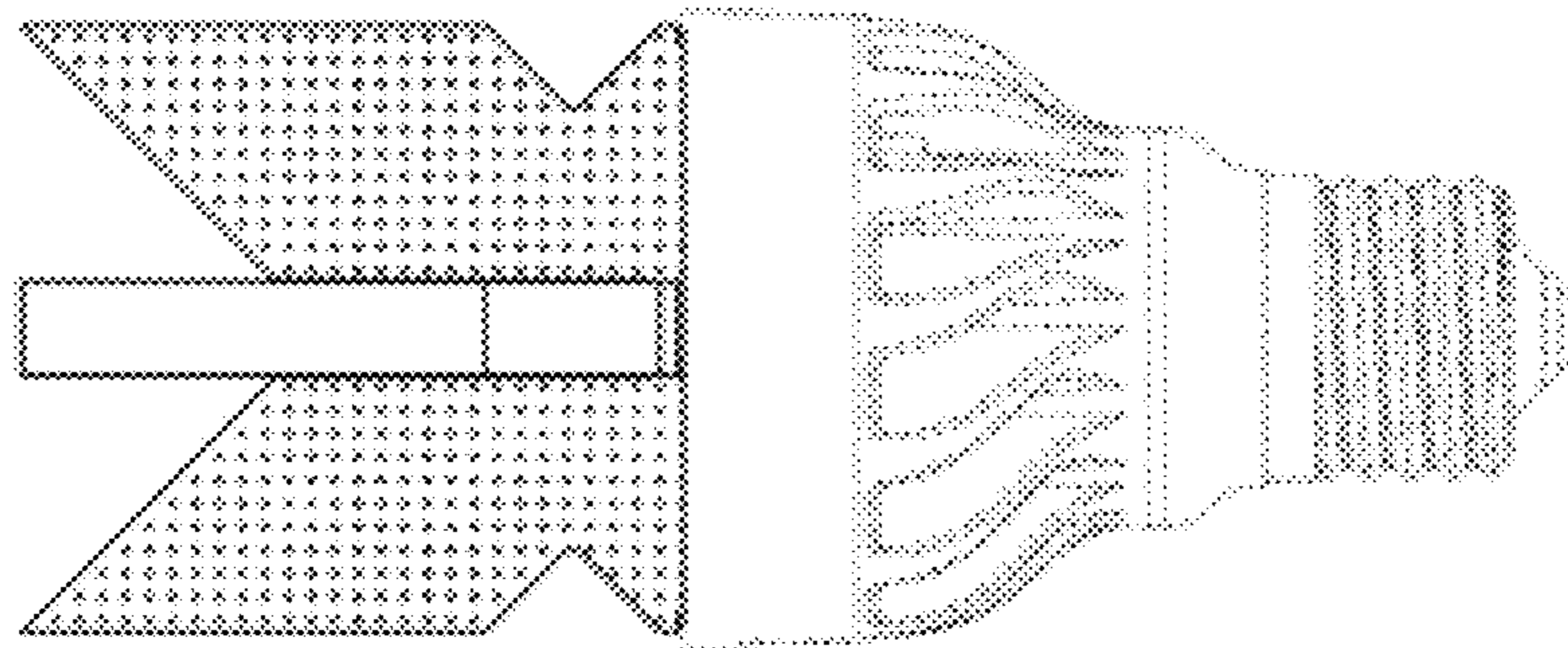


FIGURE 7

