



US00D668364S

(12) **United States Design Patent**
Yamamoto et al.

(10) **Patent No.:** **US D668,364 S**
(45) **Date of Patent:** **** Oct. 2, 2012**

(54) **LIGHT EMITTING DIODE LAMP**
(75) Inventors: **Junichiro Yamamoto**, Kanagawa (JP);
Shigeru Motoki, Tokyo (JP); **Makoto Sakai**, Kanagawa (JP); **Takumi Suwa**, Kanagawa (JP); **Michinobu Inoue**, Tokyo (JP)

D600,368 S * 9/2009 Bertram et al. D26/2
D610,272 S * 2/2010 Guo et al. D26/2
D646,808 S * 10/2011 Shi D26/2
D657,479 S * 4/2012 Jeon et al. D26/2

FOREIGN PATENT DOCUMENTS

JP D1424559 10/2011
(Continued)

(73) Assignees: **Toshiba Lighting & Technology Corporation**, Kanagawa (JP);
Kabushiki Kaisha Toshiba, Tokyo (JP)

Primary Examiner — Marcus Jackson
(74) *Attorney, Agent, or Firm* — J.C. Patents

(**) Term: **14 Years**

(57) **CLAIM**
The ornamental design for a light emitting diode lamp, as shown and described.

(21) Appl. No.: **29/414,158**

(22) Filed: **Feb. 24, 2012**

DESCRIPTION

(30) **Foreign Application Priority Data**
Sep. 9, 2011 (JP) 2011-020534
Sep. 9, 2011 (JP) 2011-020537
(51) **LOC (9) Cl.** **26-04**
(52) **U.S. Cl.** **D26/2**
(58) **Field of Classification Search** D26/1-4;
313/313, 315, 316, 317, 318, 493; 315/52,
315/53, 56, 57, 58
See application file for complete search history.

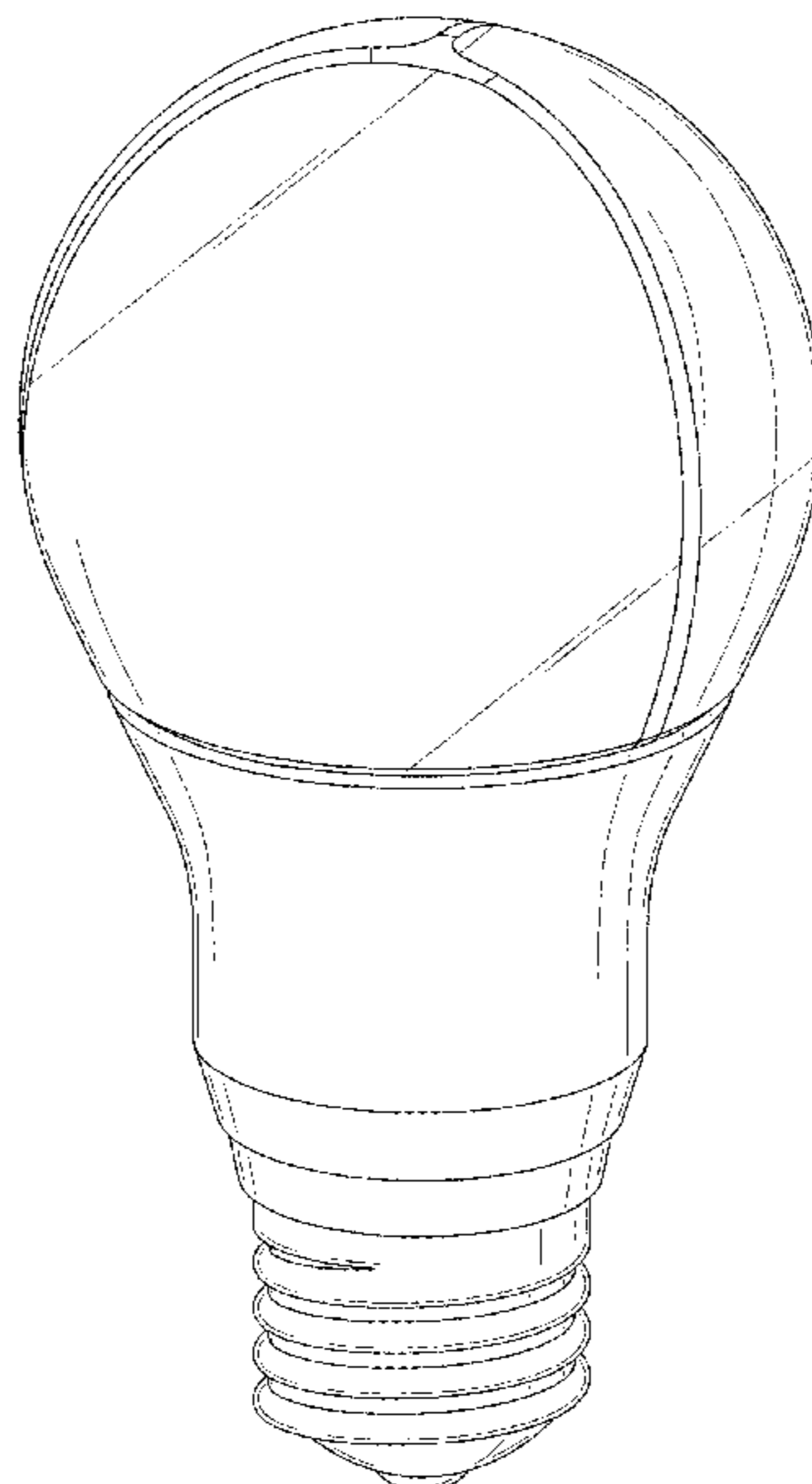
FIG. 1 is a perspective view of a light emitting diode lamp showing a first embodiment of our new design; FIG. 2 is a front view of the first embodiment; FIG. 3 is a rear view of the first embodiment; FIG. 4 is a left side view of the first embodiment; FIG. 5 is a right side view of the first embodiment; FIG. 6 is a top view of the first embodiment; FIG. 7 is a bottom view of the first embodiment; FIG. 8 is a perspective view of a light emitting diode lamp showing a second embodiment of our new design; FIG. 9 is a front view of the second embodiment; FIG. 10 is a rear view of the second embodiment; FIG. 11 is a left side view of the second embodiment; FIG. 12 is a right side view of the second embodiment; FIG. 13 is a top view of the second embodiment; and, FIG. 14 is a bottom view of the second embodiment.

(56) **References Cited**

U.S. PATENT DOCUMENTS

D543,288 S * 5/2007 Bembridge D26/2
D544,109 S * 6/2007 Tsuruha et al. D26/2
D558,904 S * 1/2008 Tsuruha et al. D26/2
D579,130 S * 10/2008 Hernandez et al. D26/2

1 Claim, 14 Drawing Sheets



US D668,364 S

Page 2

FOREIGN PATENT DOCUMENTS			JP	D1430688	12/2011
JP	D1424560	10/2011	JP	D1430689	12/2011
JP	D1424561	10/2011			
JP	D1424988	10/2011			

* cited by examiner

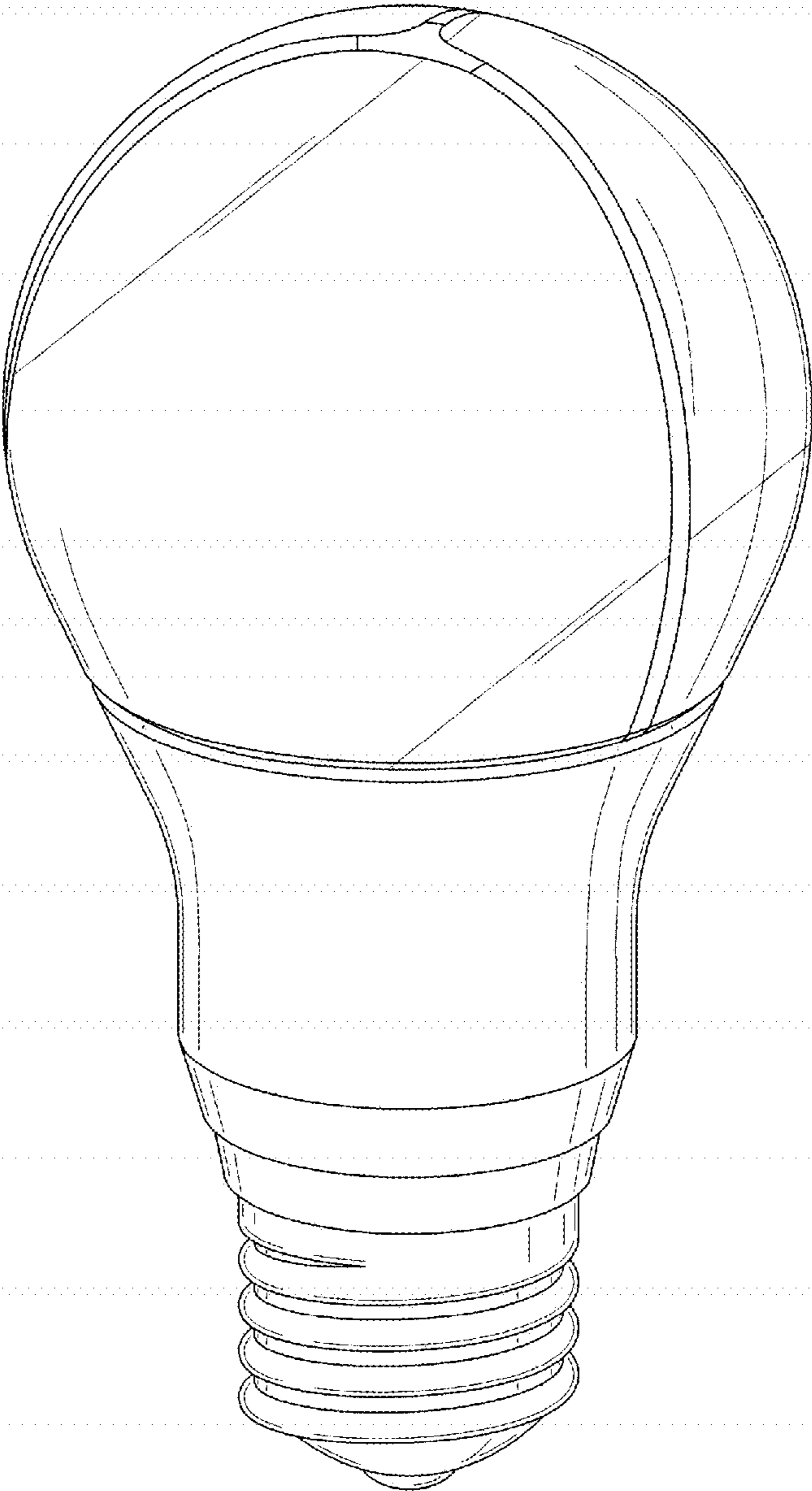


FIG. 1

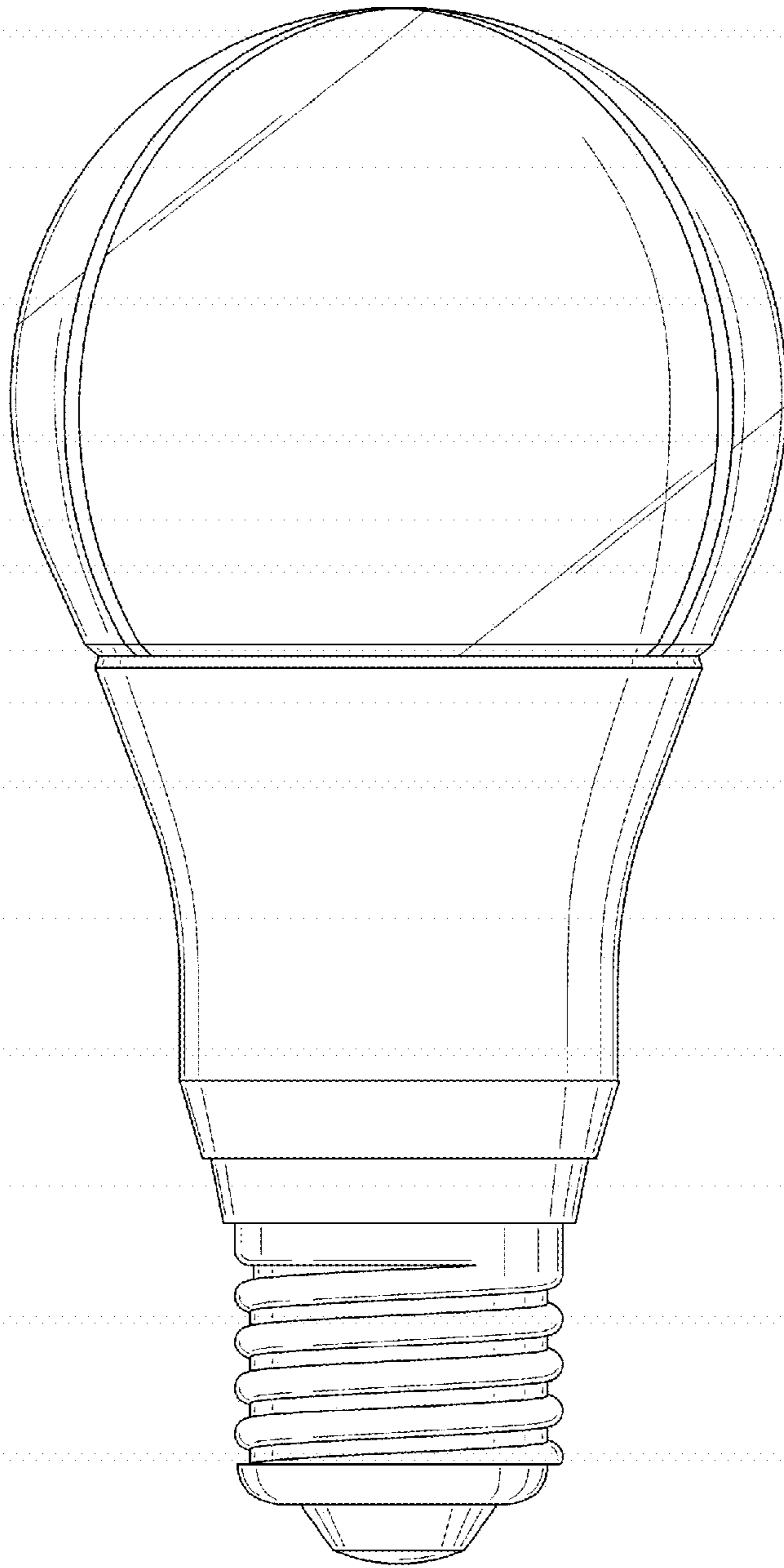


FIG. 2

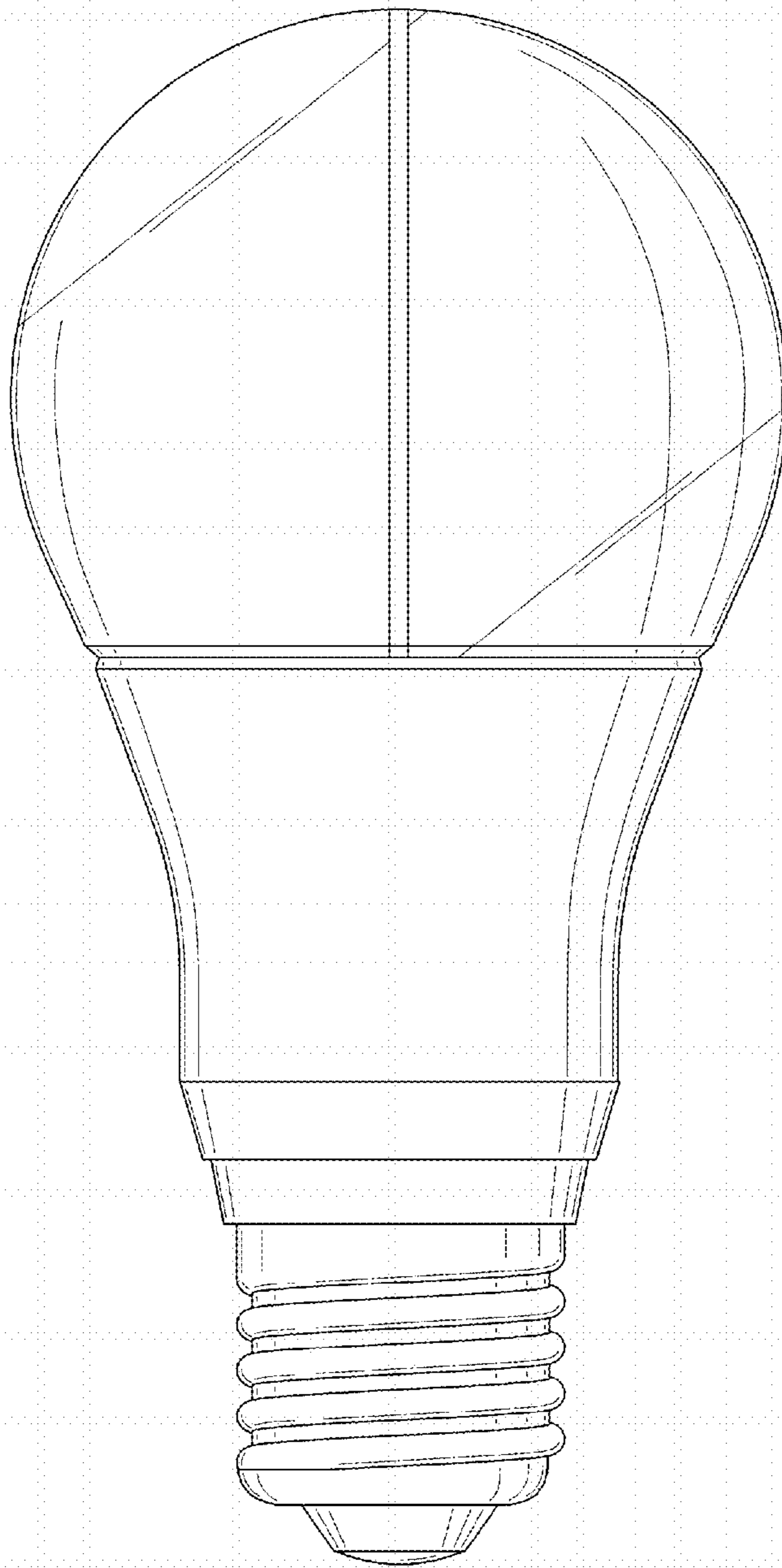


FIG. 3

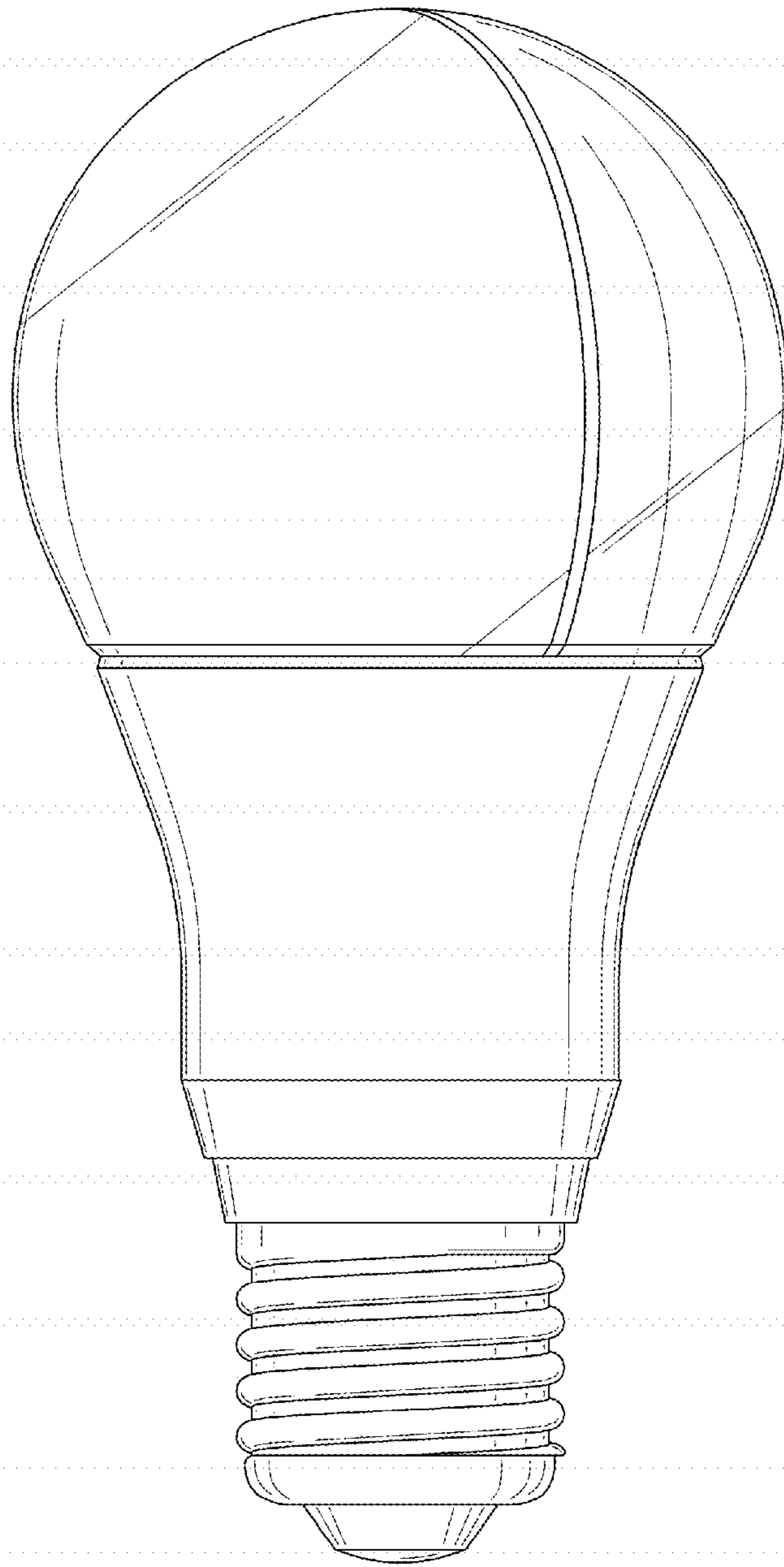


FIG. 4

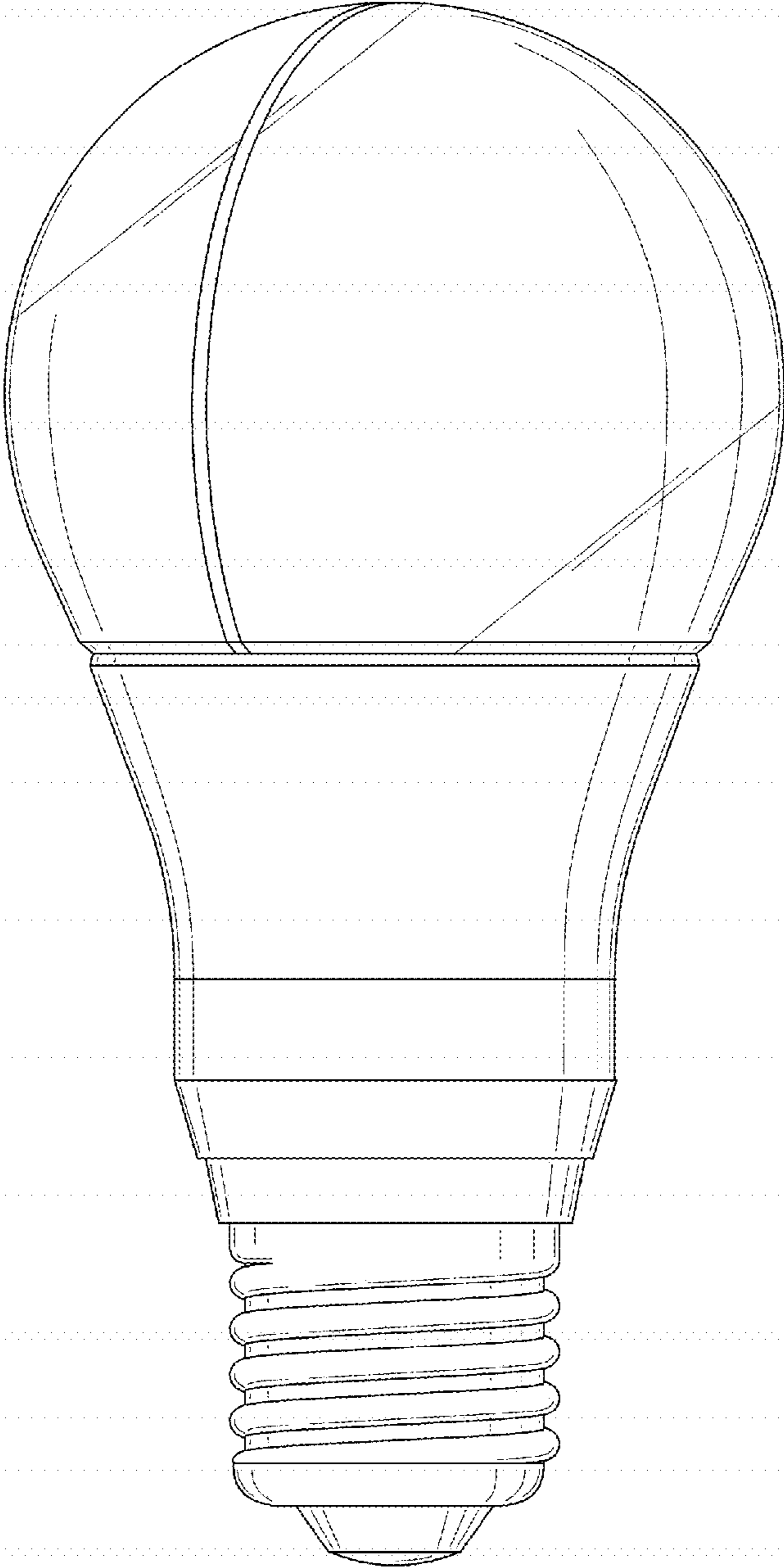


FIG. 5

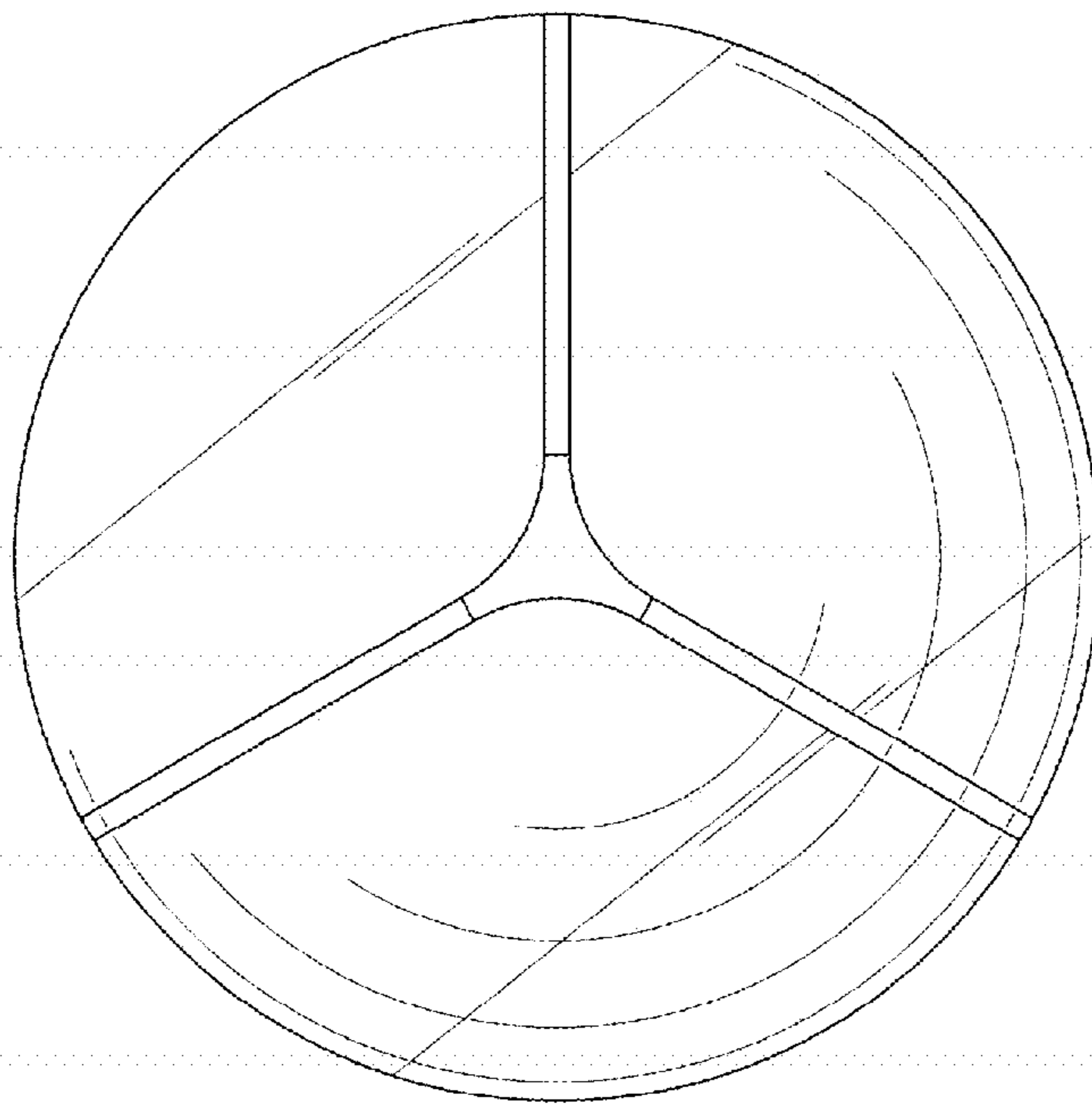


FIG. 6

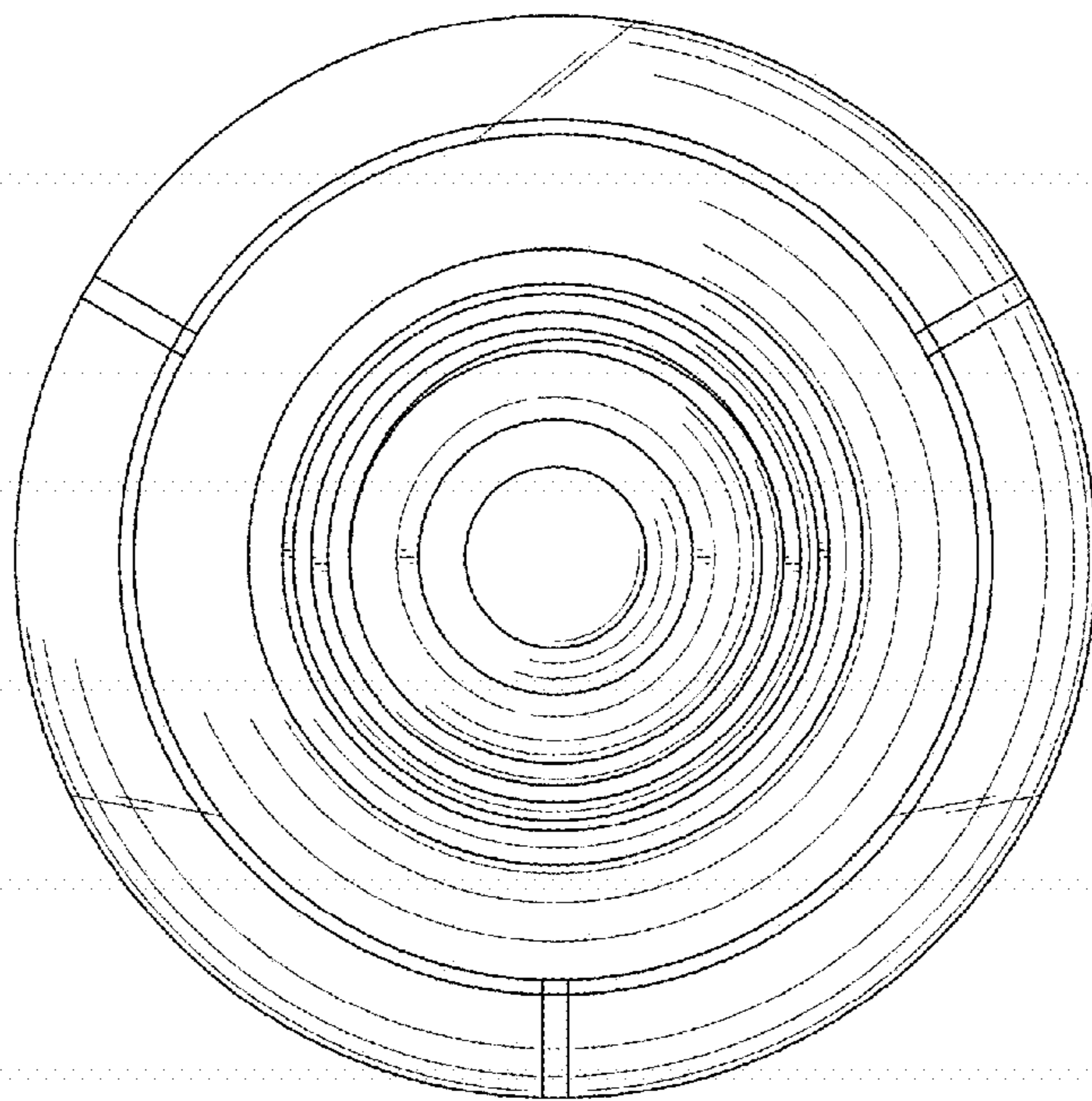


FIG. 7

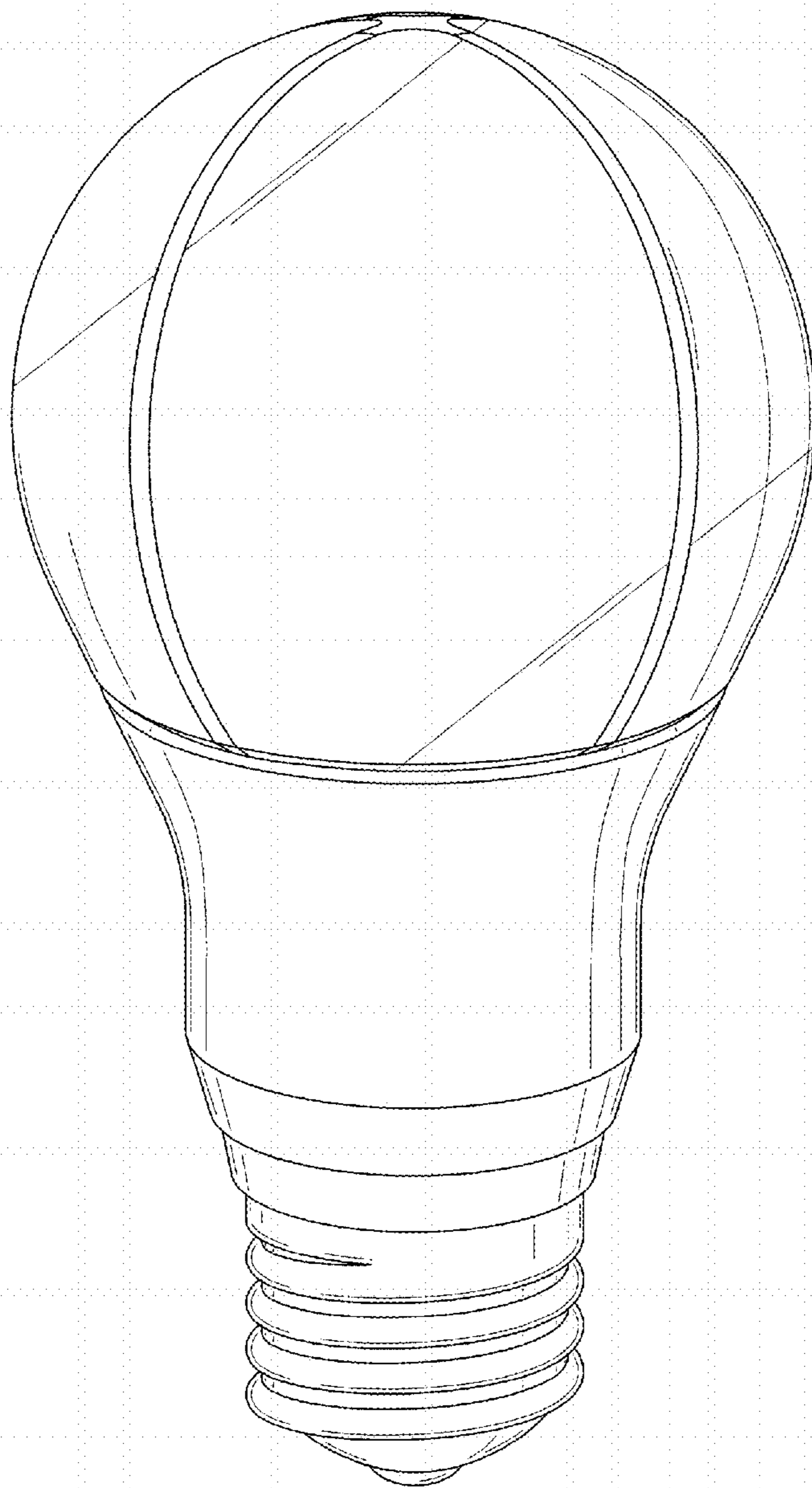


FIG. 8

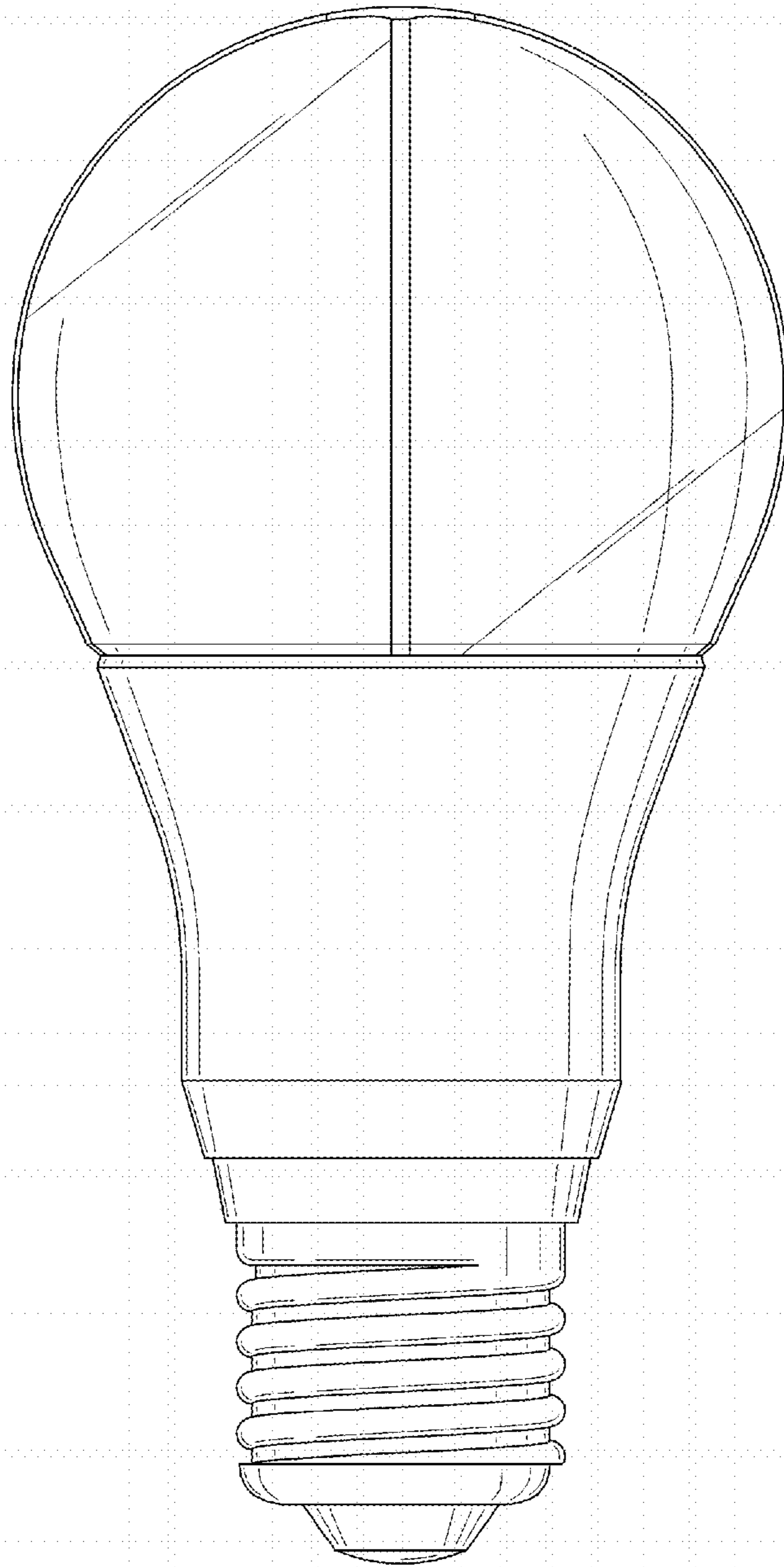


FIG. 9

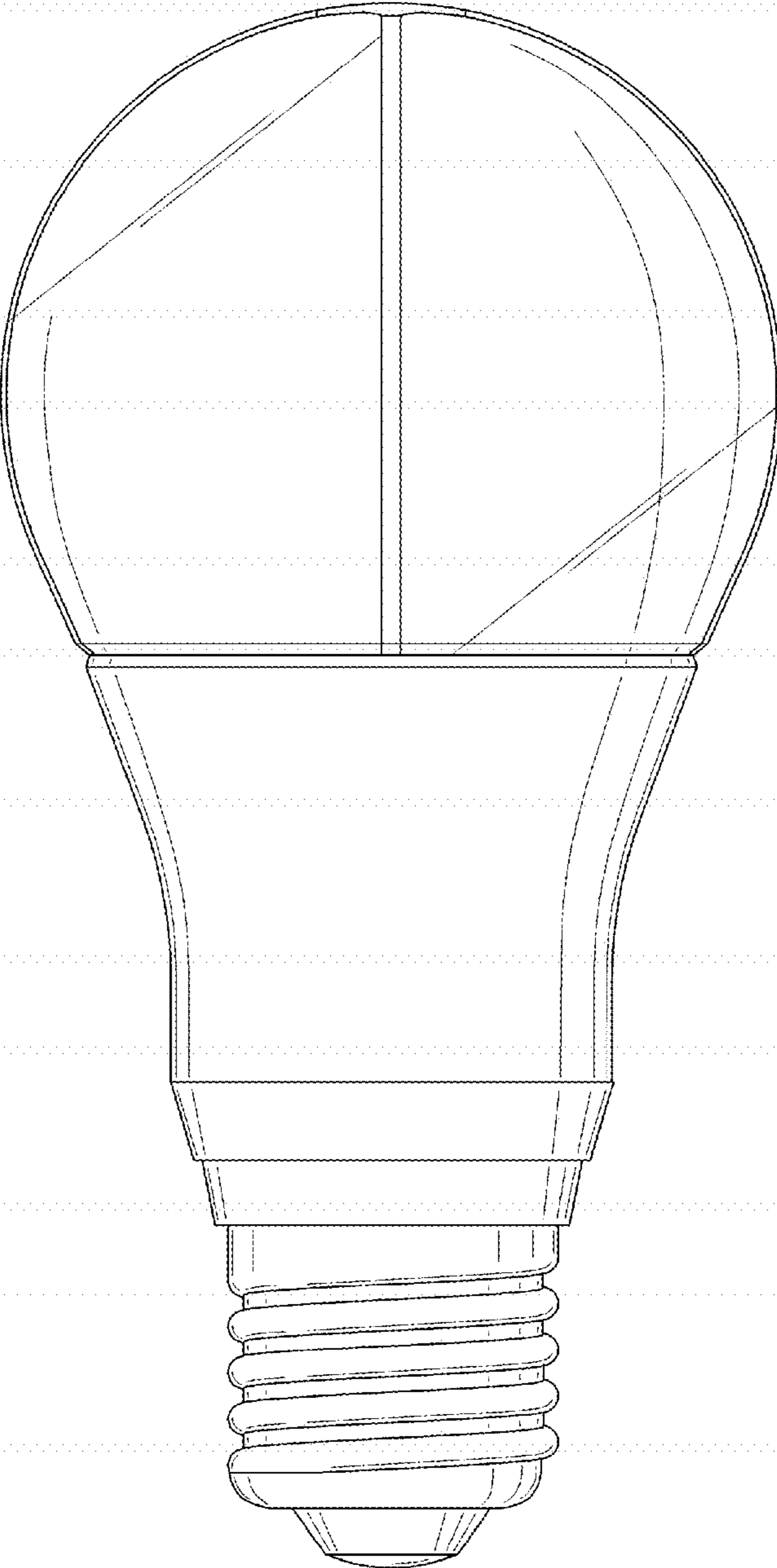


FIG. 10

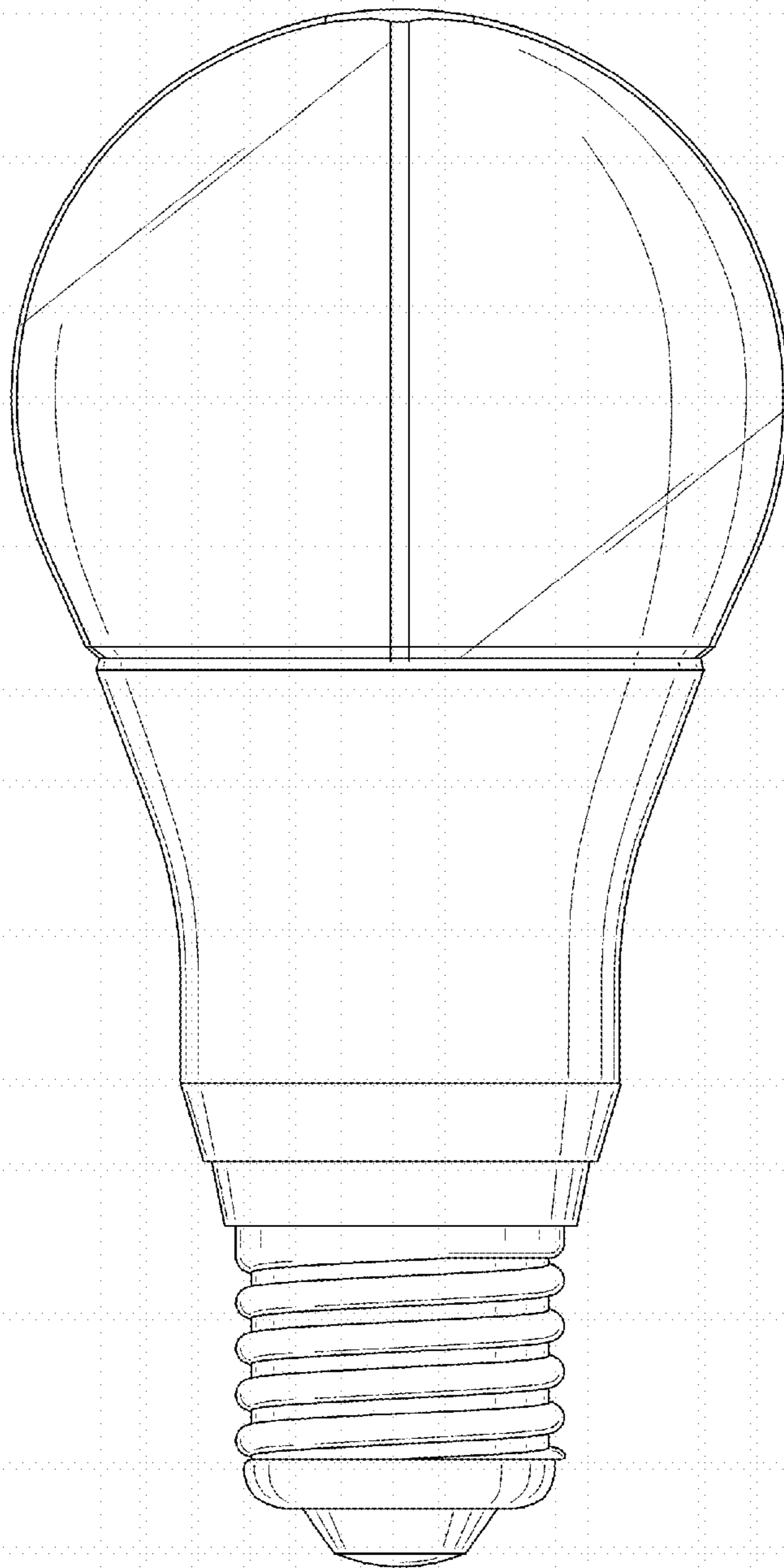


FIG. 11

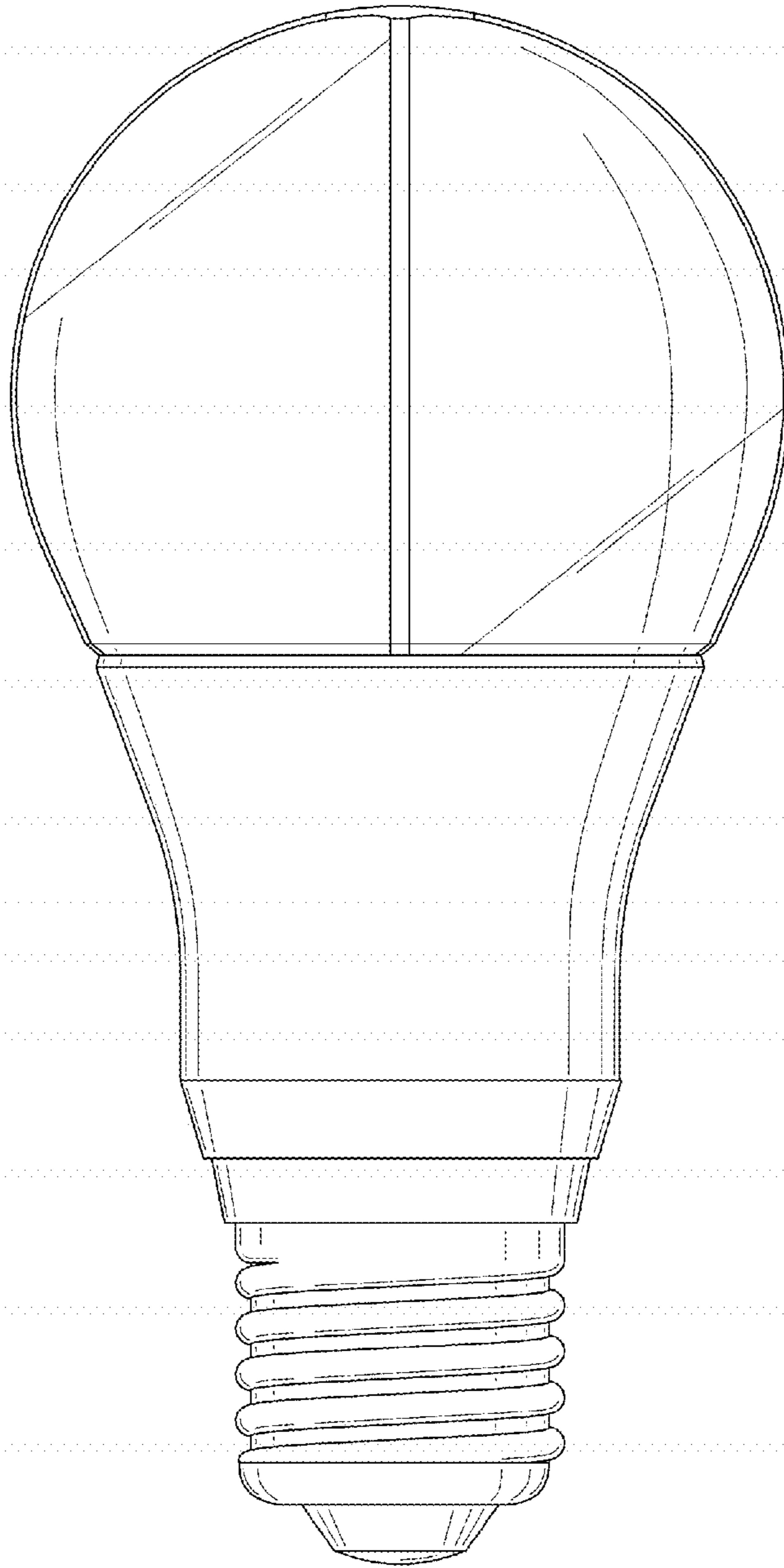


FIG. 12

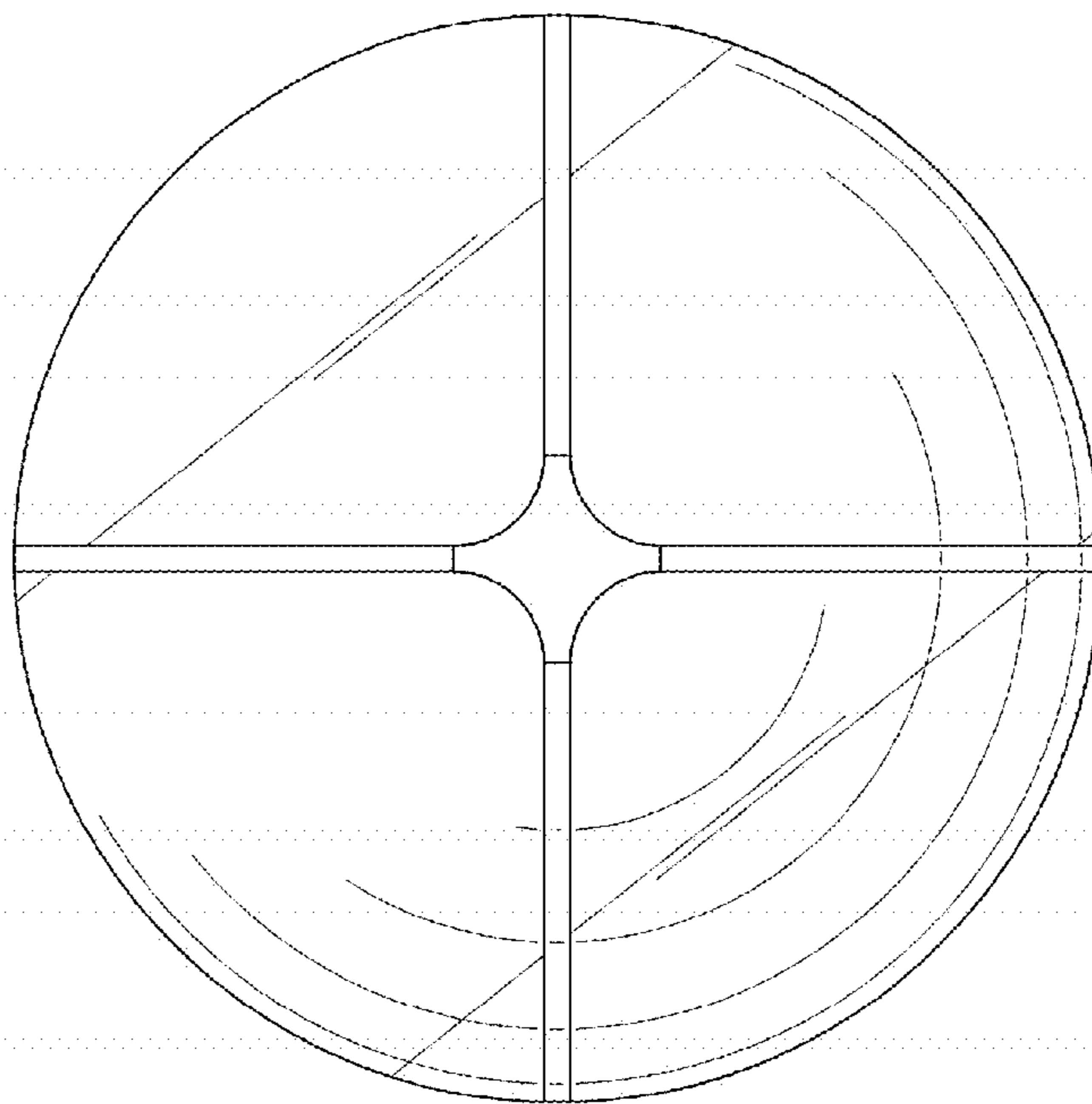


FIG. 13

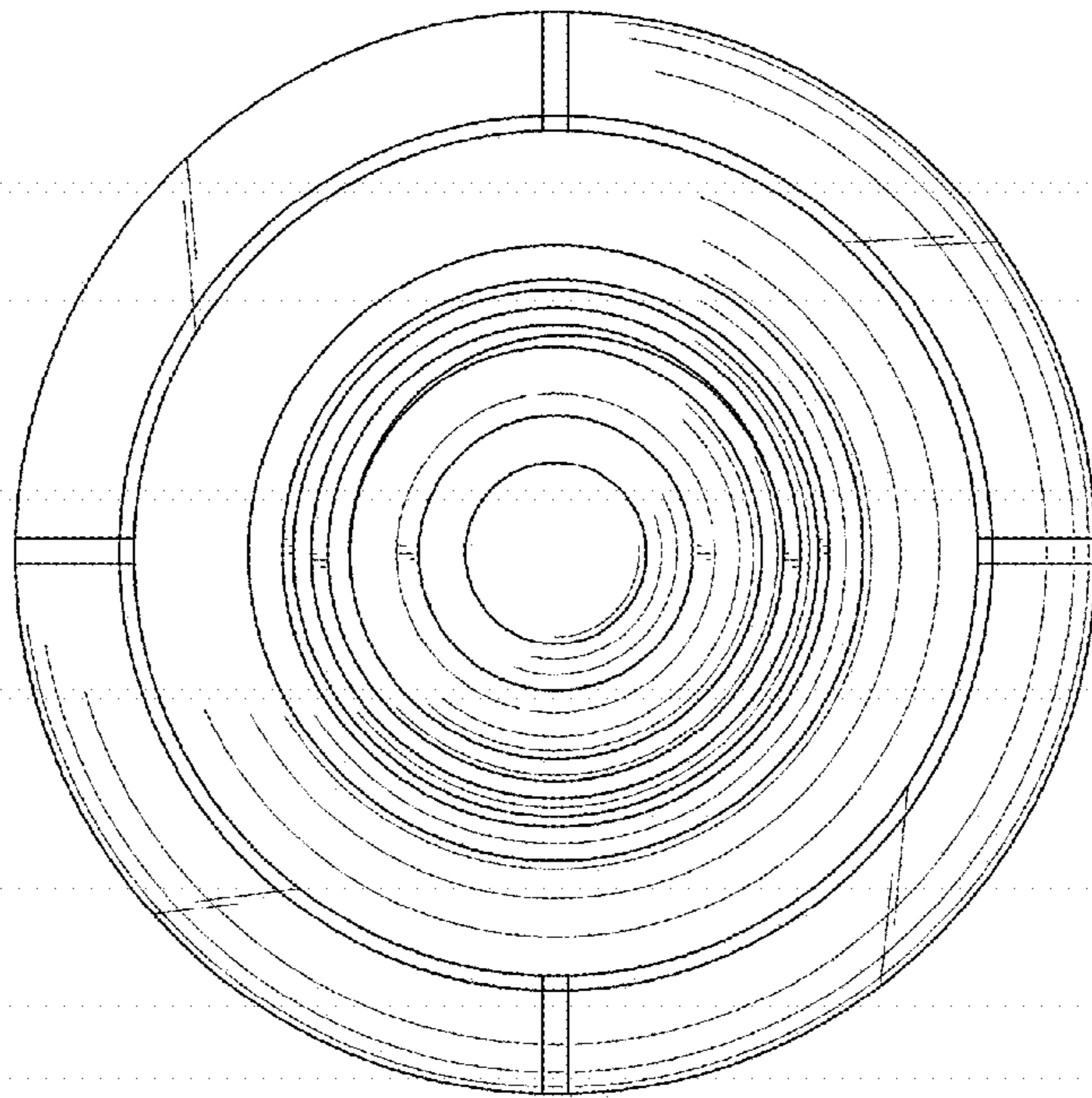


FIG. 14