



US00D668362S

(12) **United States Design Patent**  
**Allen et al.**

(10) **Patent No.:** **US D668,362 S**  
(45) **Date of Patent:** **\*\* Oct. 2, 2012**

(54) **LAMP**

(75) Inventors: **Gary Robert Allen**, Chesterland, OH (US); **Joshua Ian Rintamaki**, Westlake, OH (US); **Mark Edward Kaminski**, Beachwood, OH (US); **David Christopher Anderson**, Willoughby, OH (US)

(73) Assignee: **GE Lighting Solutions, LLC**, East Cleveland, OH (US)

(\*\*) Term: **14 Years**

(21) Appl. No.: **29/404,991**

(22) Filed: **Oct. 27, 2011**

(51) **LOC (9) Cl.** ..... **26-04**

(52) **U.S. Cl.** ..... **D26/2**

(58) **Field of Classification Search** ..... D26/1-4;  
313/313, 315, 316, 317, 318, 493; 315/52,  
315/53, 56, 57, 58

See application file for complete search history.

(56) **References Cited**

U.S. PATENT DOCUMENTS

D398,407 S	9/1998	O'Connell	
D542,943 S *	5/2007	Wang	D26/2
D545,457 S *	6/2007	Chen	D26/2
D546,980 S *	7/2007	Lo	D26/2
D549,854 S *	8/2007	Takahashi	D26/2
D566,300 S *	4/2008	Lo	D26/2
D570,504 S	6/2008	Maxik	

D570,505 S	6/2008	Maxik	
D582,578 S *	12/2008	Tsai et al.	D26/2
D607,586 S *	1/2010	Ko	D26/2
D623,778 S *	9/2010	Moon et al.	D26/2
D630,347 S *	1/2011	Pei et al.	D26/2
D630,349 S *	1/2011	Pei et al.	D26/2
D630,773 S	1/2011	Li	
D630,775 S	1/2011	Pan	
D640,805 S *	6/2011	Li et al.	D26/2
D645,579 S *	9/2011	Layevsky et al.	D26/2
D646,409 S *	10/2011	MacDonald et al.	D26/2

\* cited by examiner

*Primary Examiner* — Marcus Jackson

(74) *Attorney, Agent, or Firm* — GE Global Patent Operation; Peter T. DiMauro

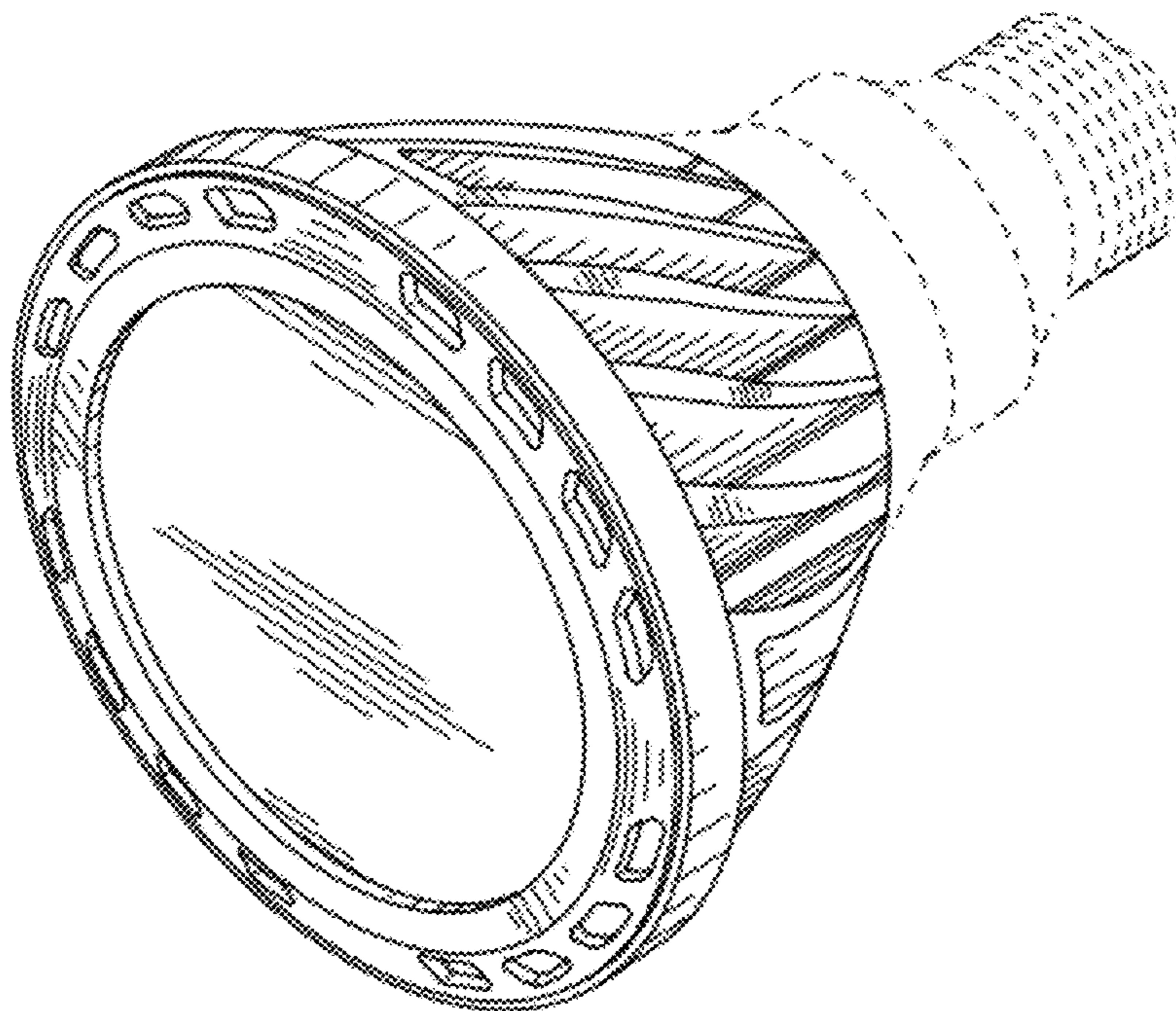
(57) **CLAIM**

We claim, the ornamental design for a lamp, as shown and described herein.

**DESCRIPTION**

FIG. 1 is a perspective view of the lamp.  
FIG. 2 is a side elevational view of the lamp, the side elevational view from all sides of the lamp being the same.  
FIG. 3 is a bottom view of the lamp; and,  
FIG. 4 is a top plan view of the lamp.  
Any broken lines shown in FIG. 1-FIG. 4 are environmental and not part of the claimed design.  
References to “side”, “top”, and “bottom” in the figure descriptions are not meant to require certain in-use orientation; a lamp according to the claimed design may be used in any orientation.

**1 Claim, 4 Drawing Sheets**



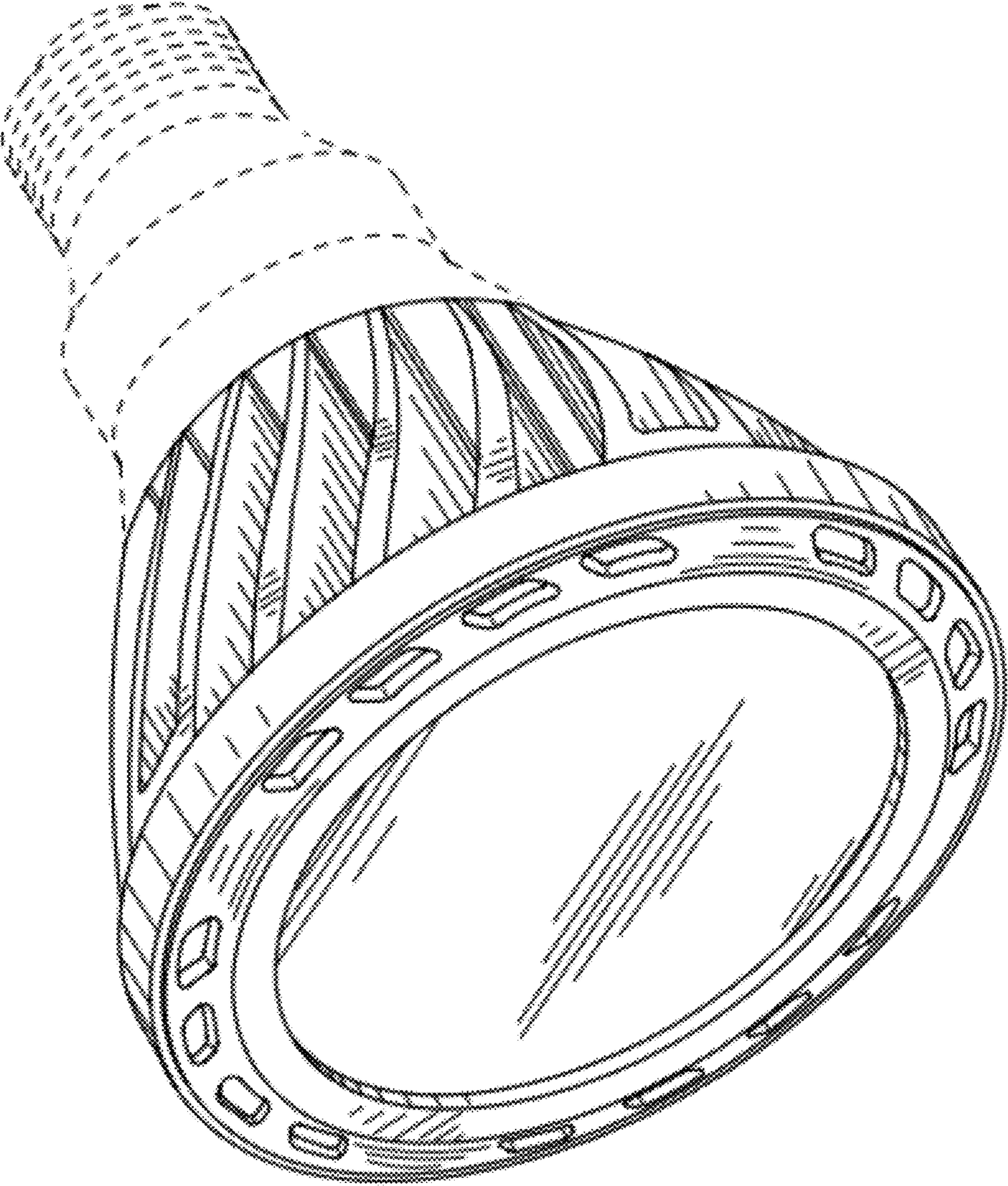


FIG. 1

FIG. 2

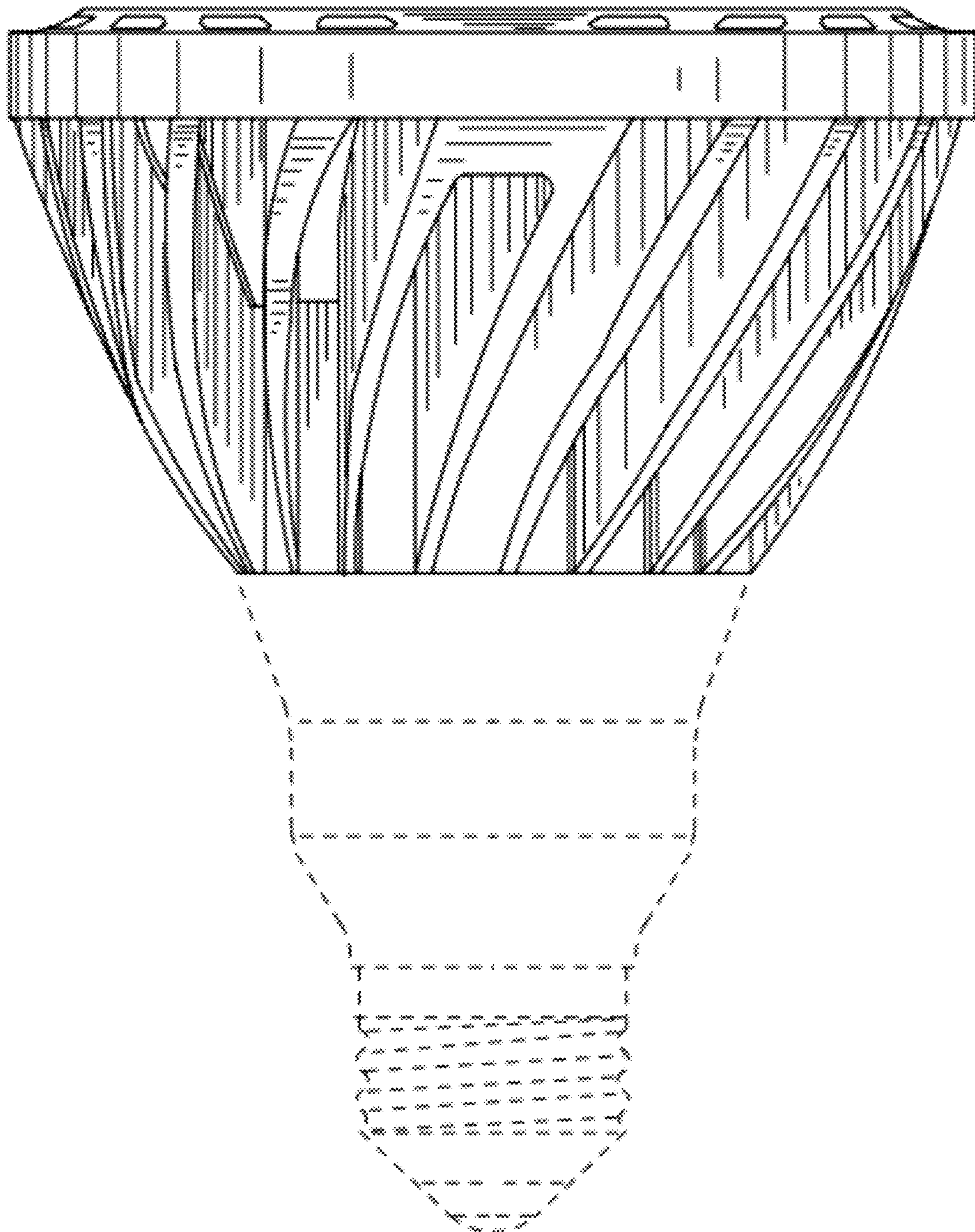


FIG. 3

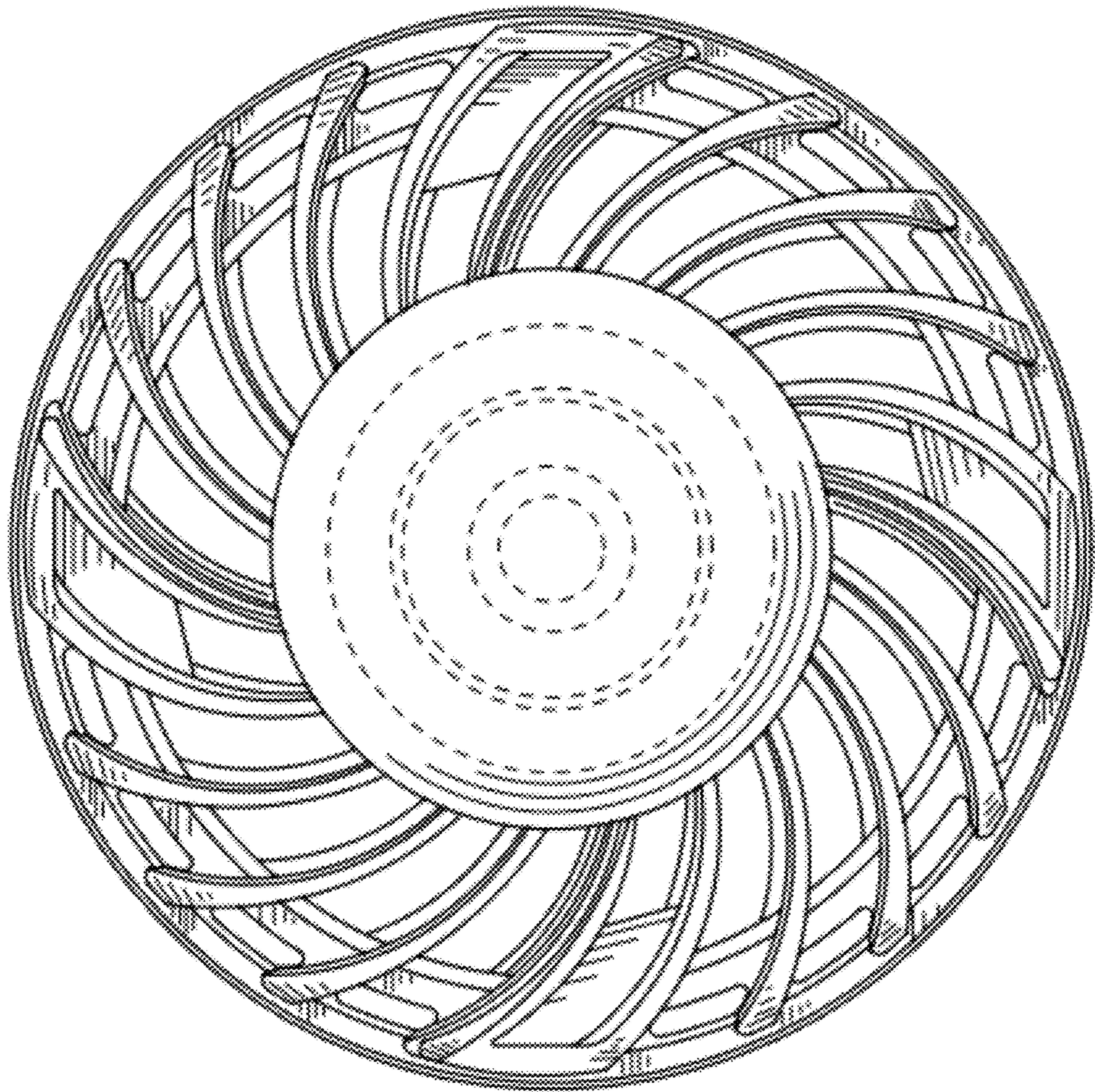


FIG. 4

