

US00D668360S

(12) **United States Design Patent**
Lee et al.

(10) **Patent No.:** **US D668,360 S**
(45) **Date of Patent:** **** Oct. 2, 2012**

(54) **LIGHT EMITTING DIODE LAMP**

(75) Inventors: **Jiann-Hung Lee**, Taipei County (TW);
Hsien-Chang Wu, Taipei County (TW);
Che-Hsin Liao, Taipei County (TW);
Yi-Chu Hsieh, Taipei County (TW)

(73) Assignees: **Cal-Comp Electronics & Communications Company Limited**, New Taipei (TW); **Kinpo Electronics, Inc.**, New Taipei (TW)

(**) Term: **14 Years**

(21) Appl. No.: **29/380,720**

(22) Filed: **Dec. 10, 2010**

(51) **LOC (9) Cl.** **26-04**

(52) **U.S. Cl.** **D26/2**

(58) **Field of Classification Search** D26/1-4;
313/313, 315, 316, 317, 318, 493; 315/52,
315/53, 56, 57, 58

See application file for complete search history.

(56) **References Cited**

U.S. PATENT DOCUMENTS

D610,278 S *	2/2010	Lin et al.	D26/2
D613,887 S *	4/2010	Lee et al.	D26/2
D616,574 S *	5/2010	Chen et al.	D26/2
D617,915 S *	6/2010	Wada et al.	D26/2
D632,409 S *	2/2011	Qiu	D26/2

* cited by examiner

Primary Examiner — Marcus Jackson

(74) *Attorney, Agent, or Firm* — Jianq Chyun IP Office

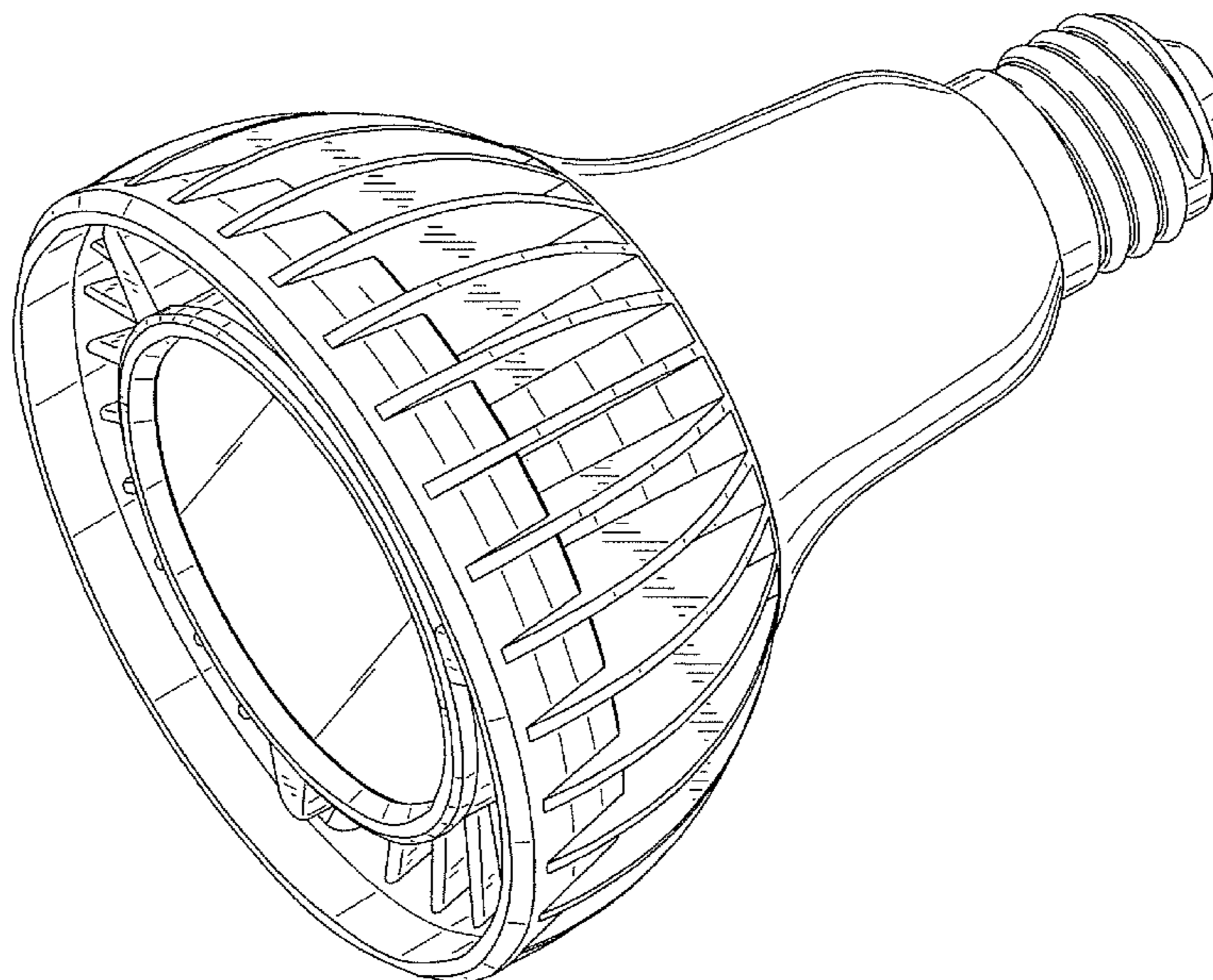
(57) **CLAIM**

The ornamental design for a light emitting diode lamp, as shown and described.

DESCRIPTION

FIG. 1 is a perspective view of a lighting emitting diode lamp showing a first embodiment of our new design;
FIG. 2 is a front view thereof;
FIG. 3 is a rear view thereof;
FIG. 4 is a left side view thereof;
FIG. 5 is a right side view thereof;
FIG. 6 is a top view thereof;
FIG. 7 is a bottom view thereof;
FIG. 8 is another perspective view thereof;
FIG. 9 is a perspective view of a lighting emitting diode lamp showing a second embodiment of our new design;
FIG. 10 is a front view thereof;
FIG. 11 is a rear view thereof;
FIG. 12 is a left side view thereof;
FIG. 13 is a right side view thereof;
FIG. 14 is a top view thereof;
FIG. 15 is a bottom view thereof; and,
FIG. 16 is another perspective view thereof.

1 Claim, 16 Drawing Sheets



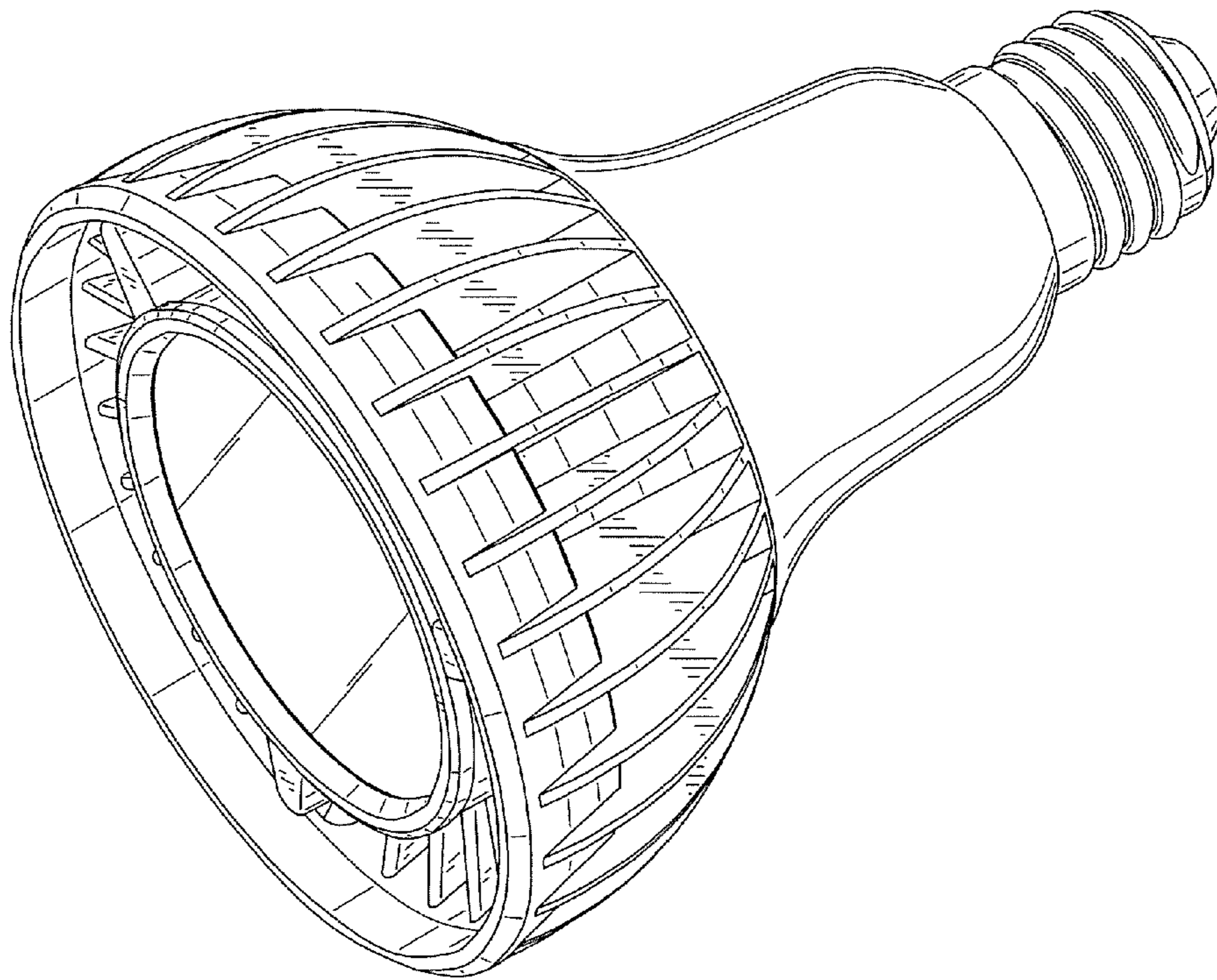


FIG. 1

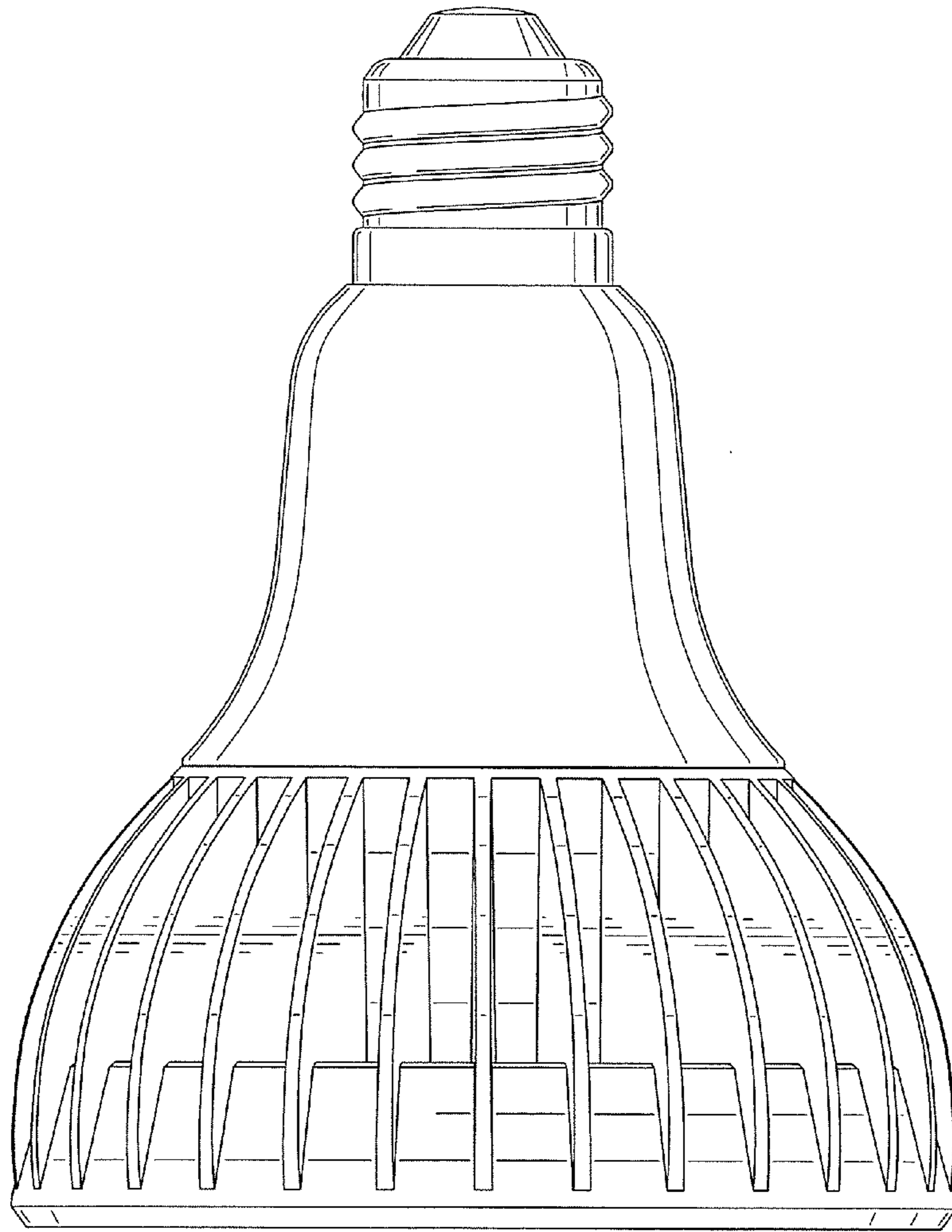


FIG. 2

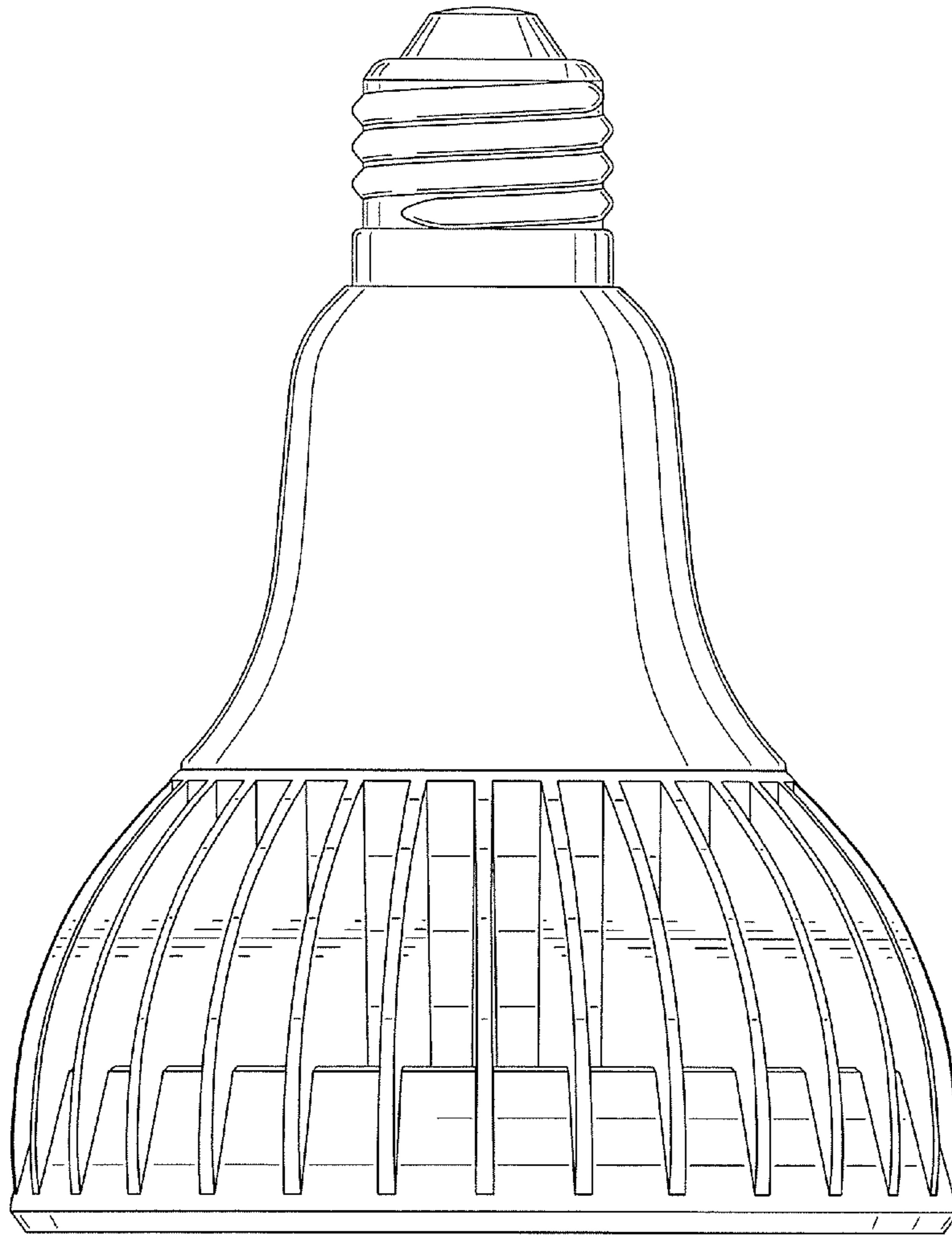


FIG. 3

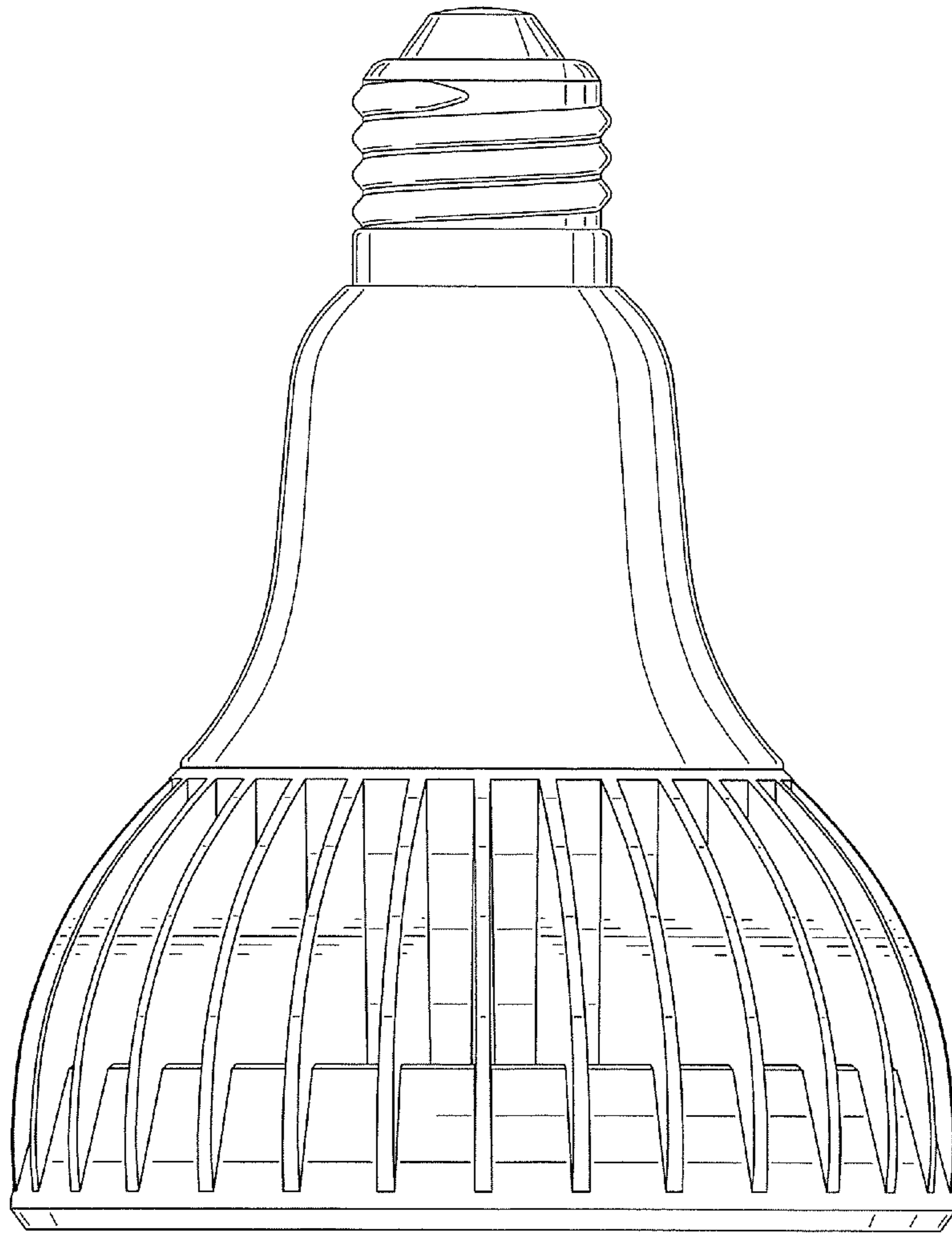


FIG. 4

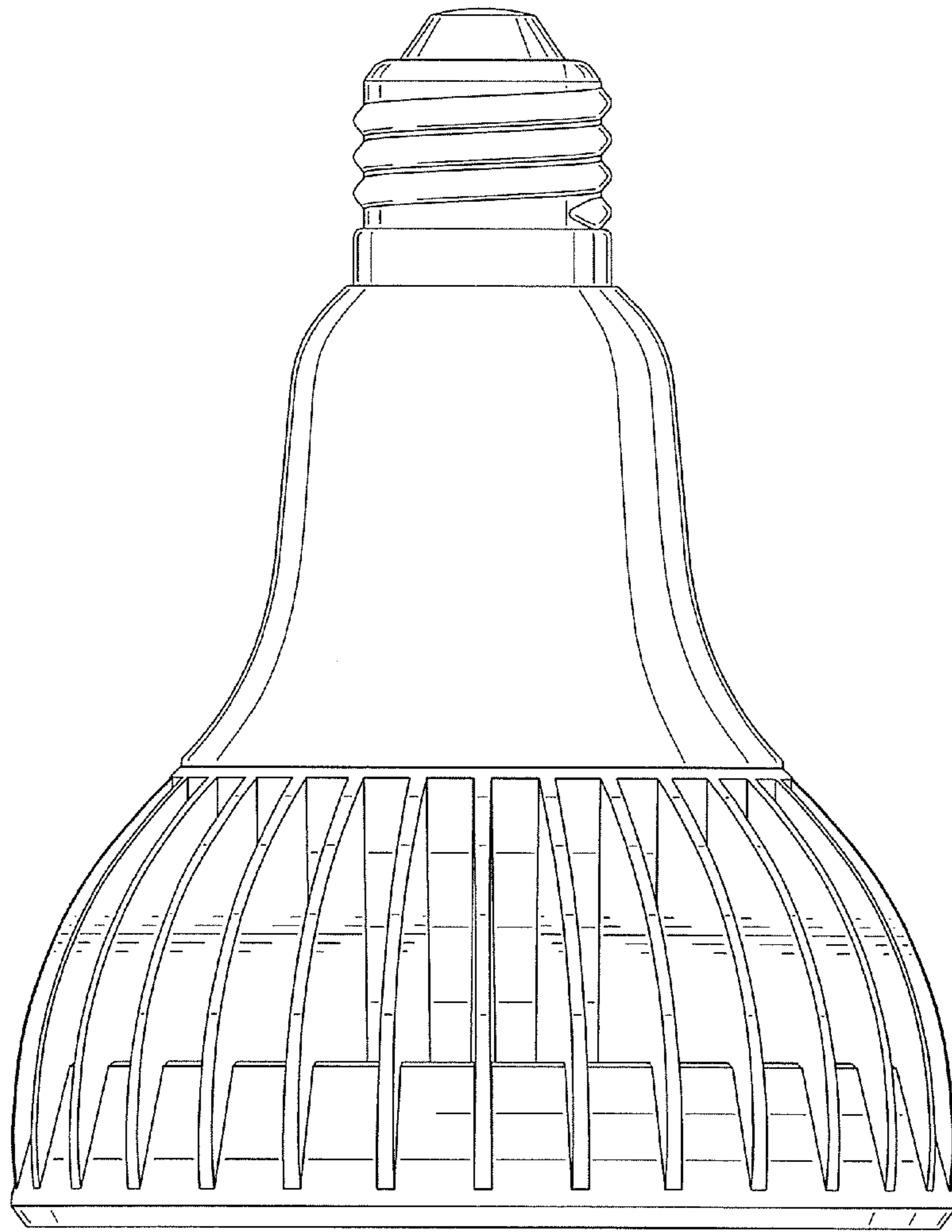


FIG. 5

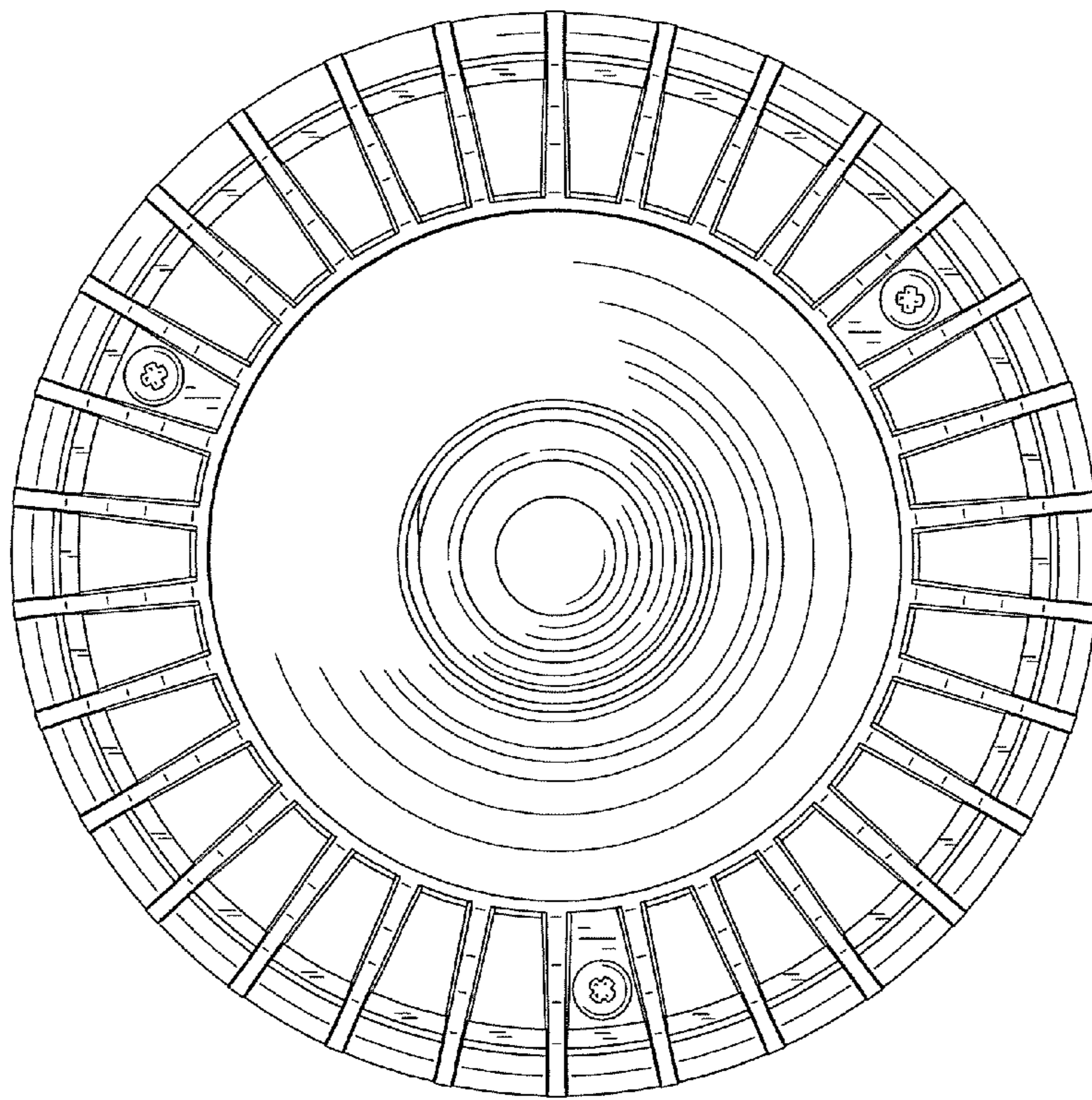


FIG. 6

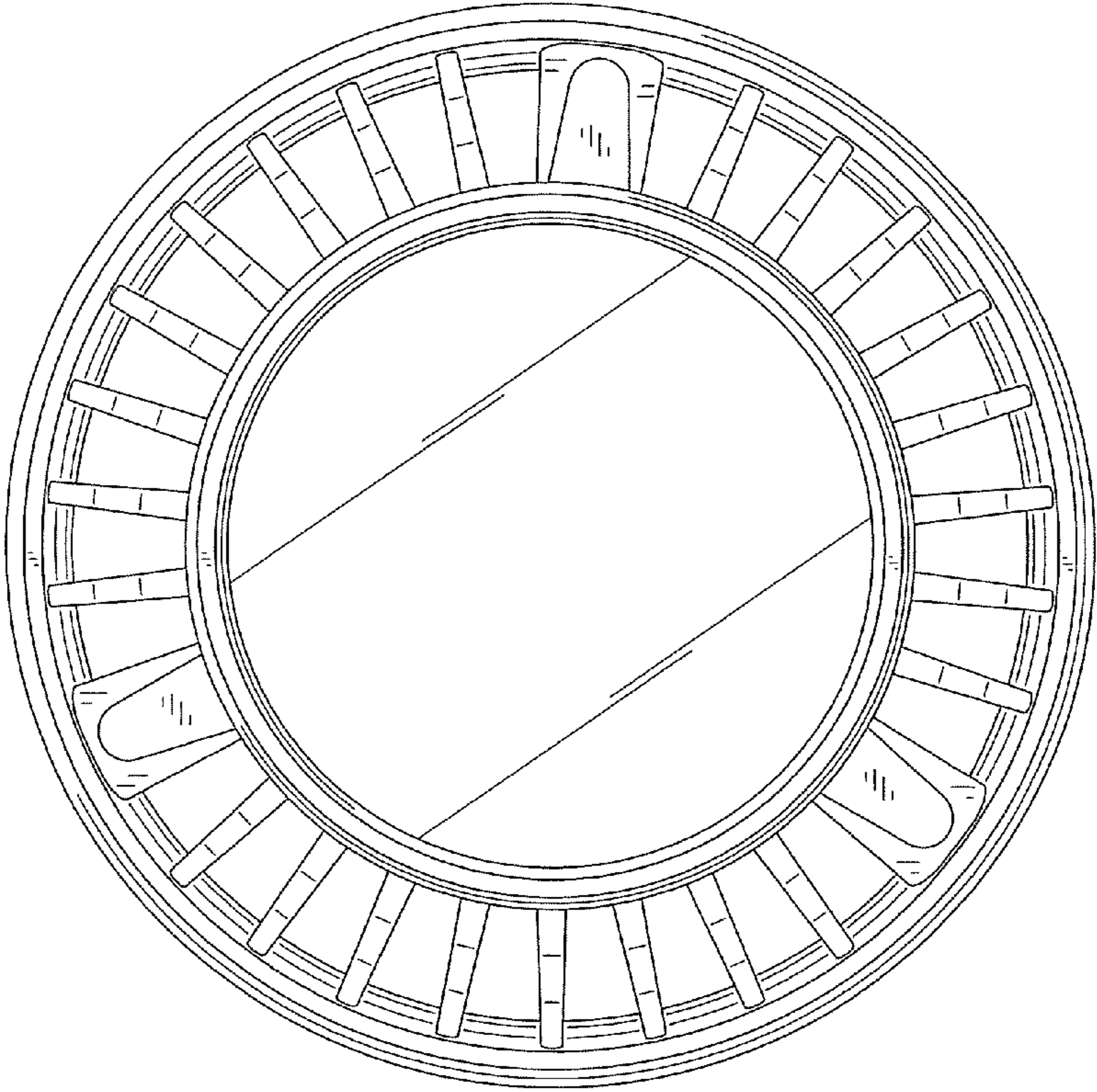


FIG. 7

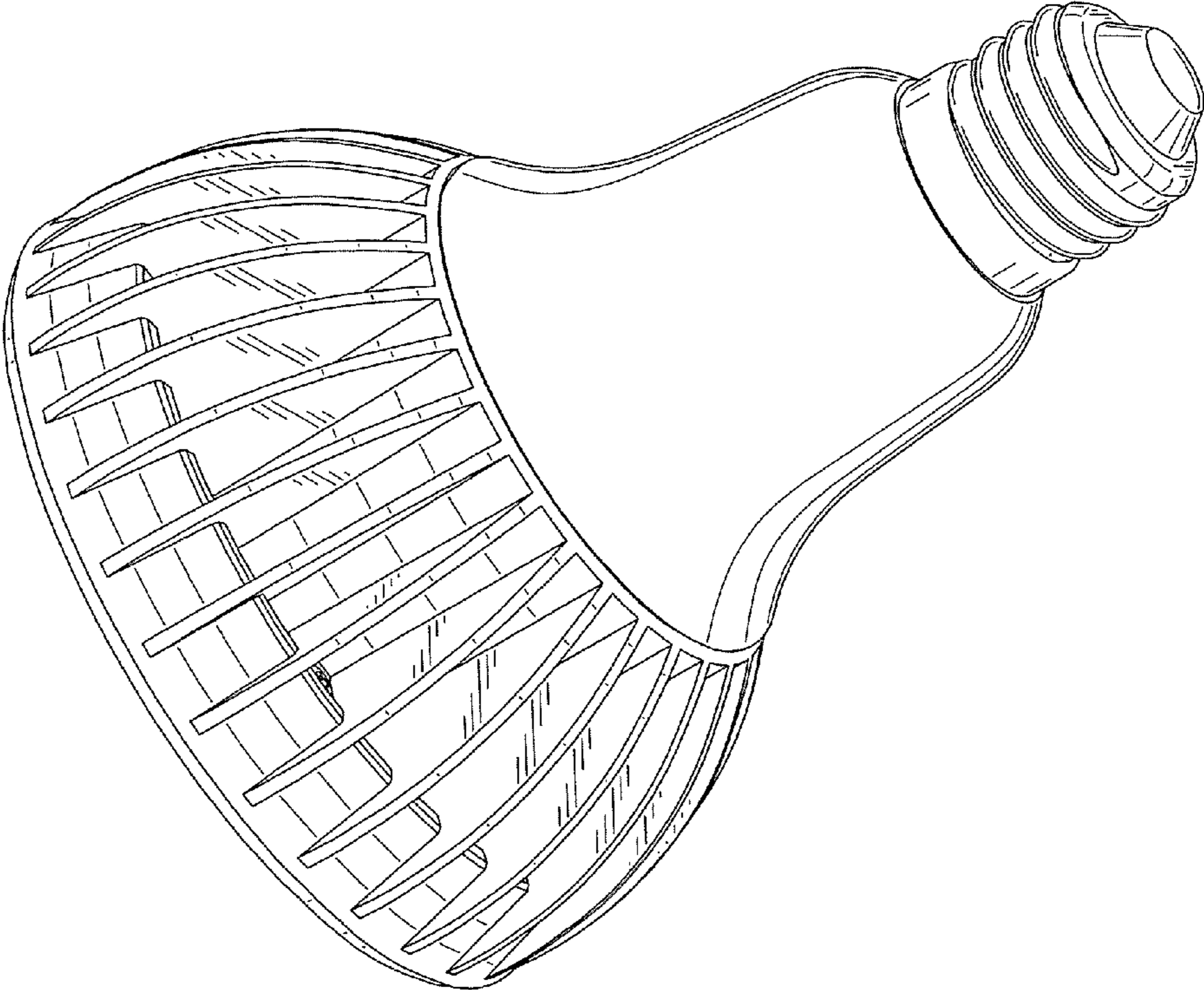


FIG. 8

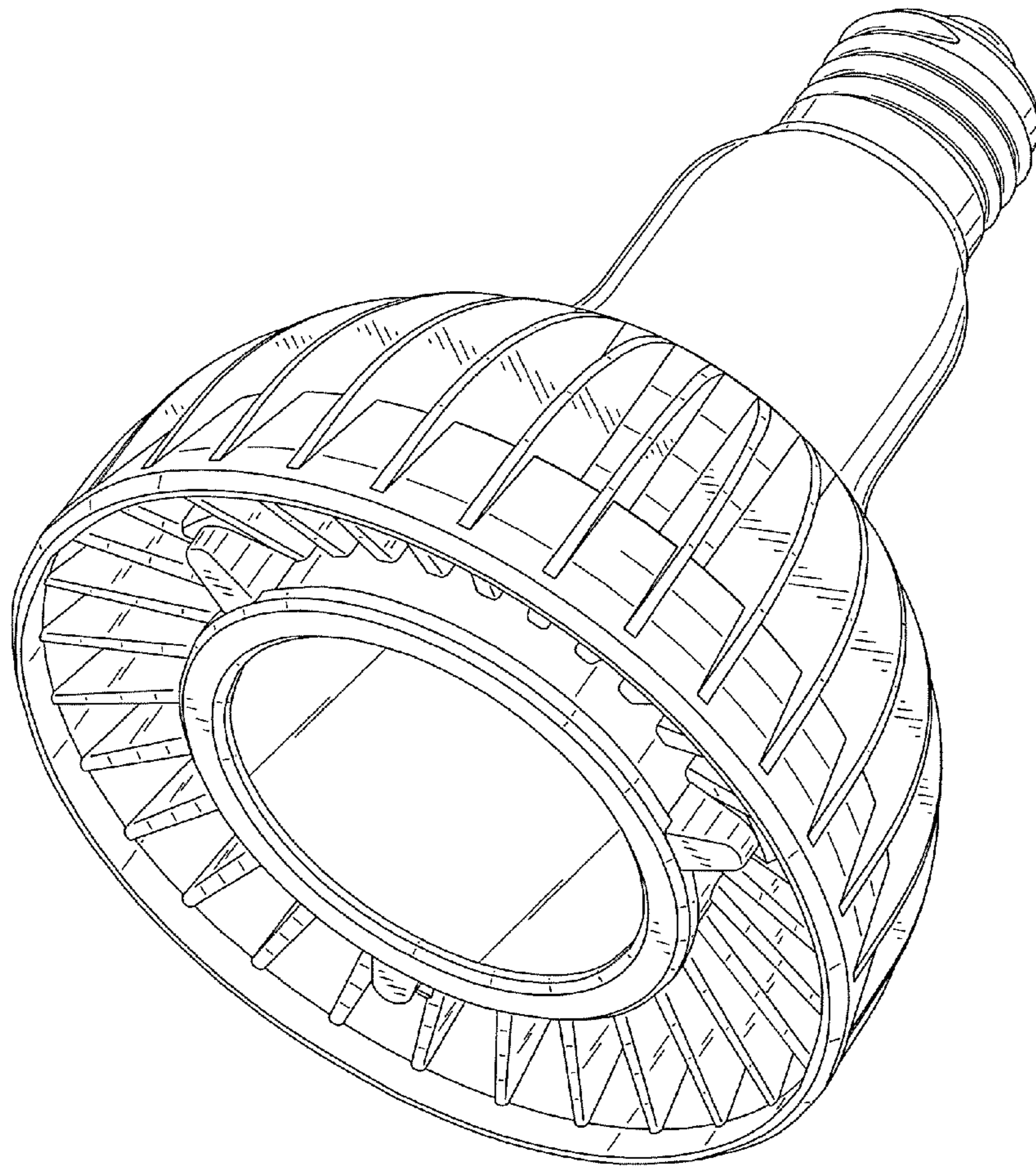


FIG. 9

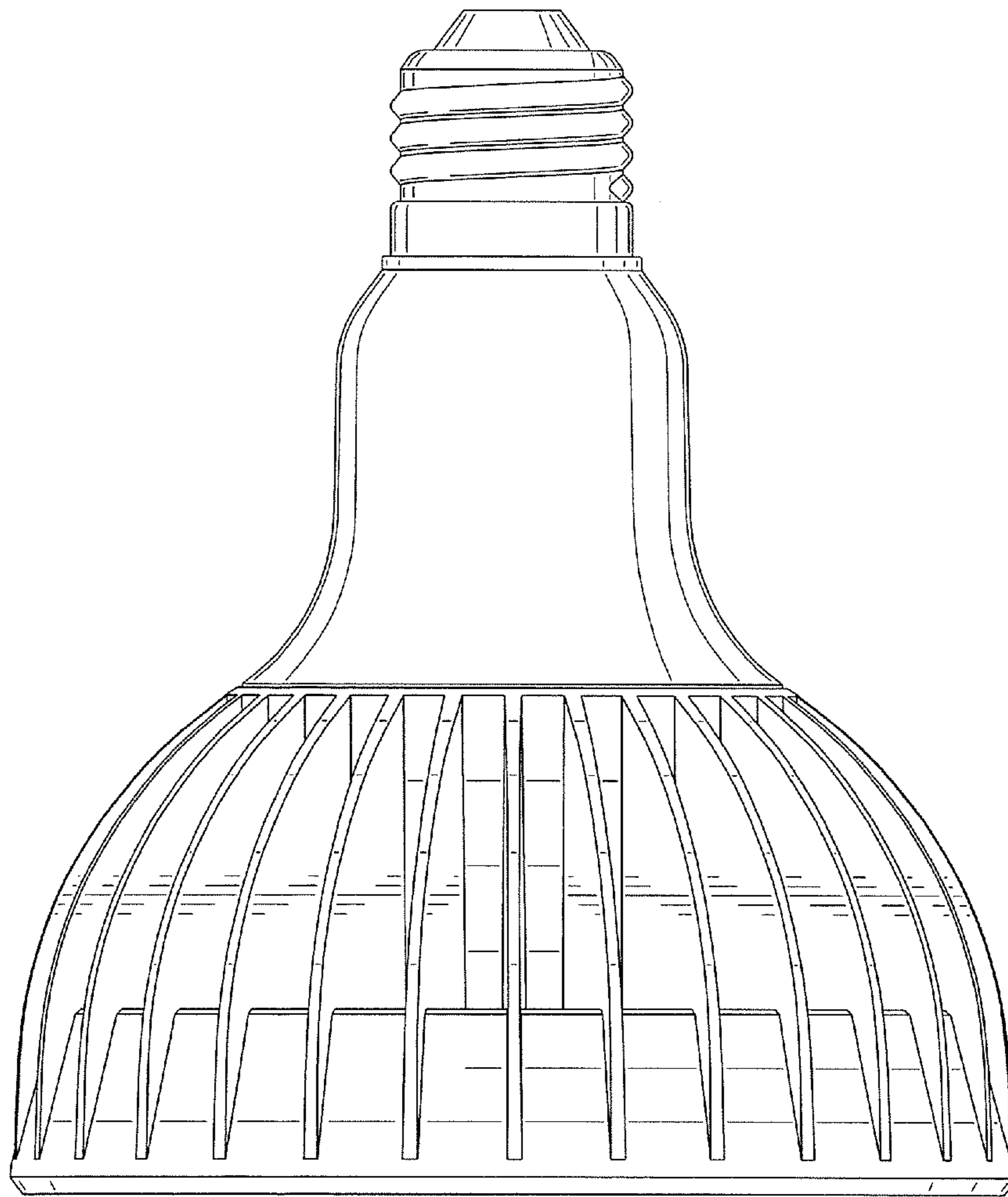


FIG. 10

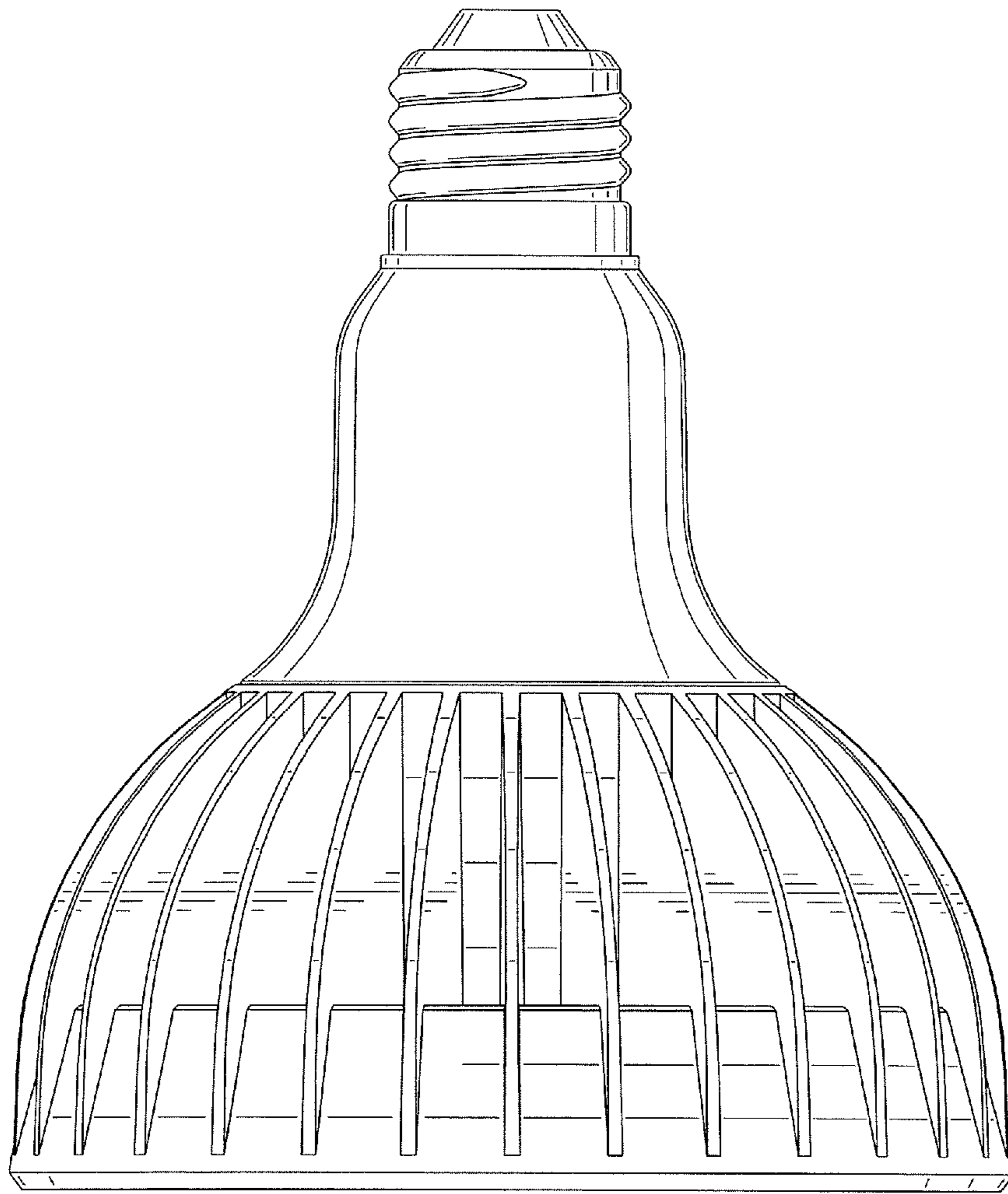


FIG. 11

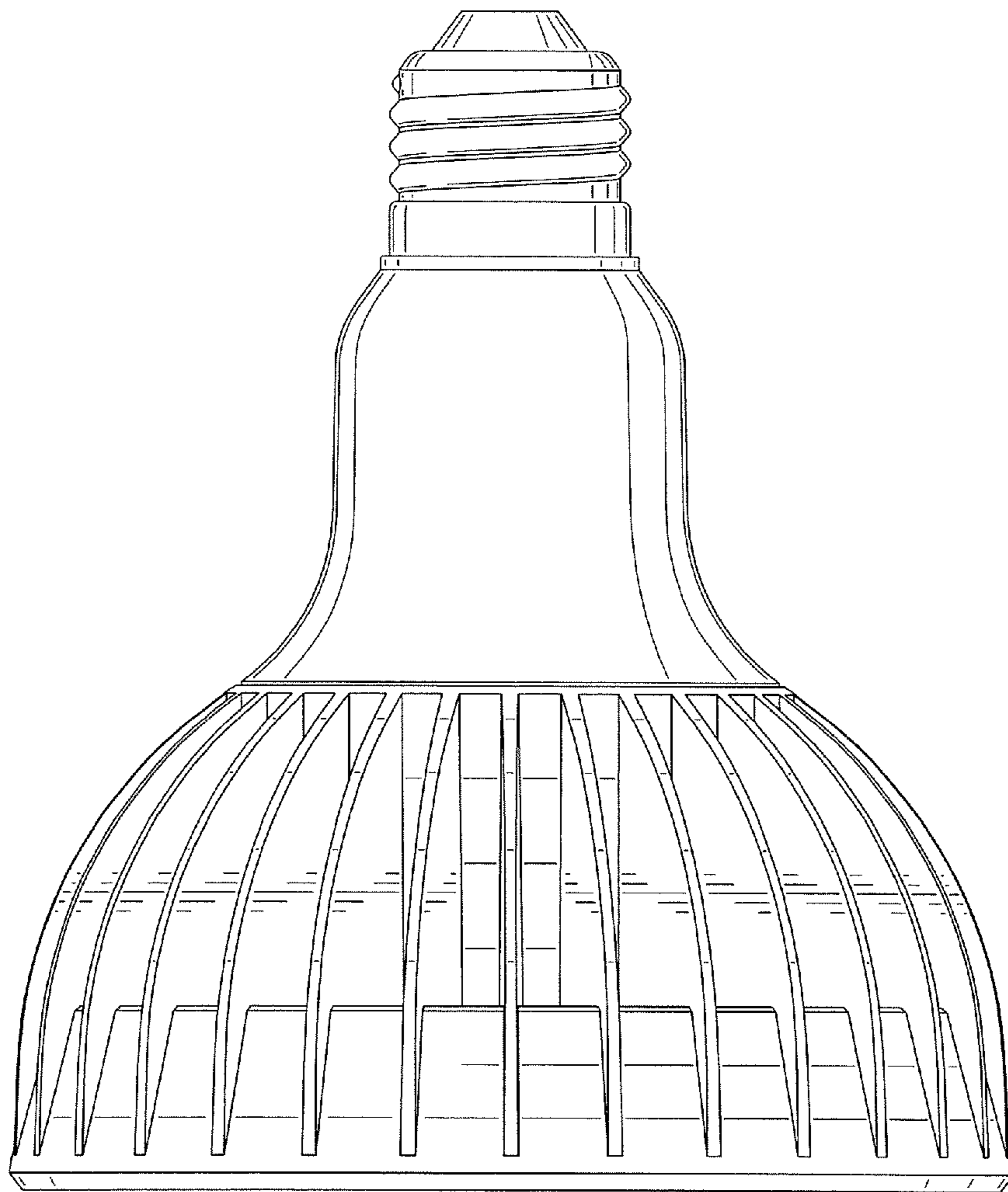


FIG. 12

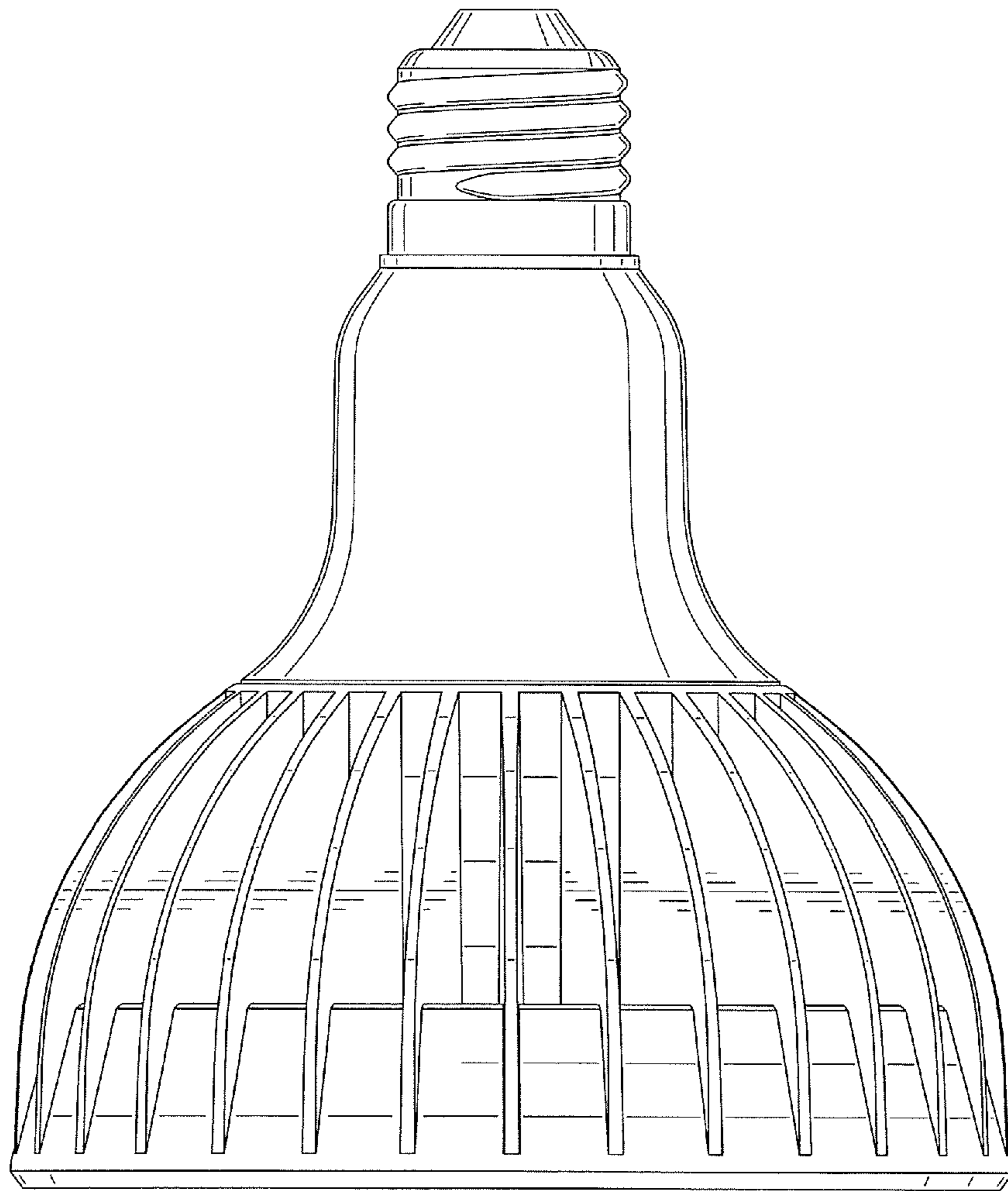


FIG. 13

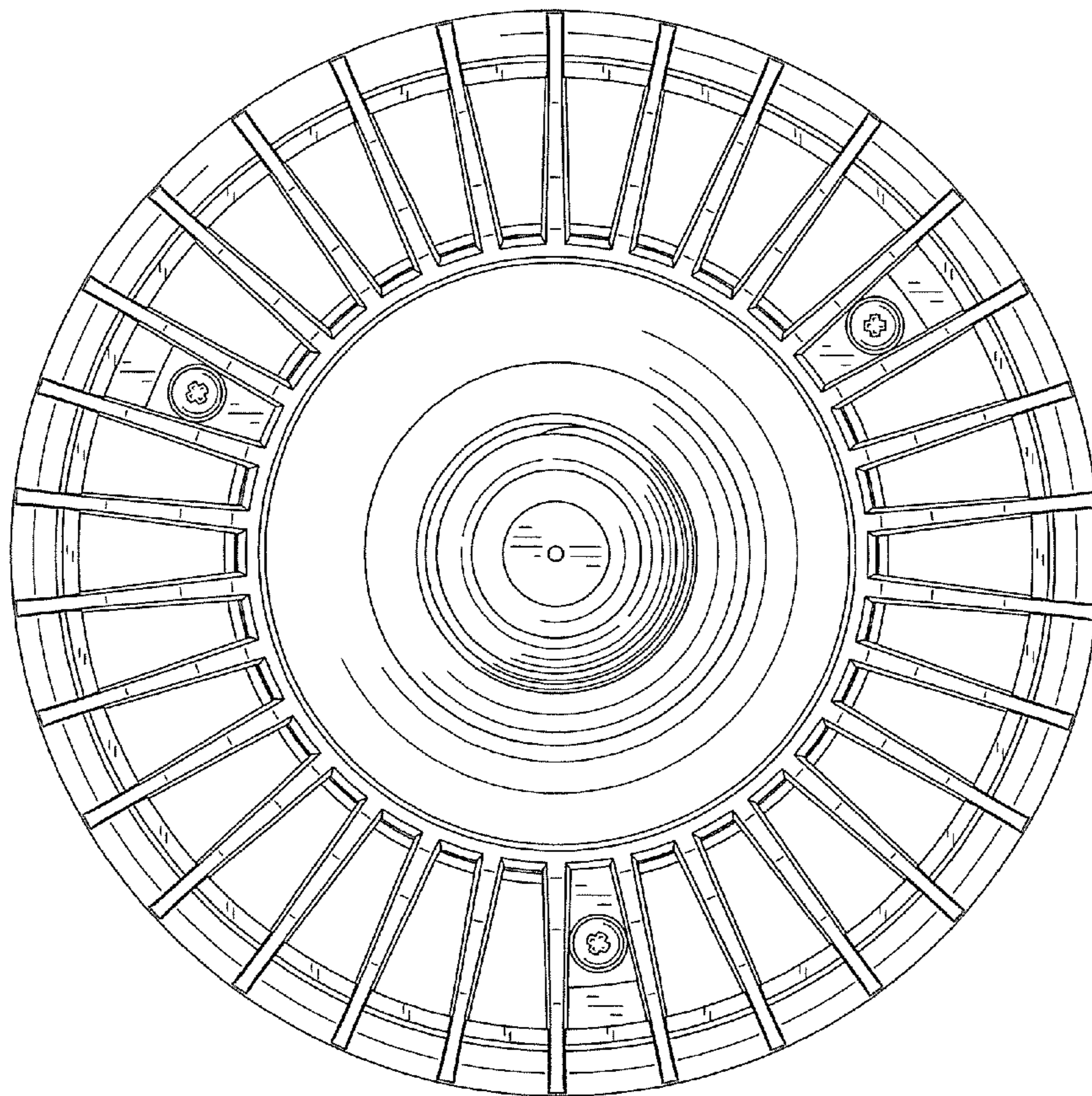


FIG. 14

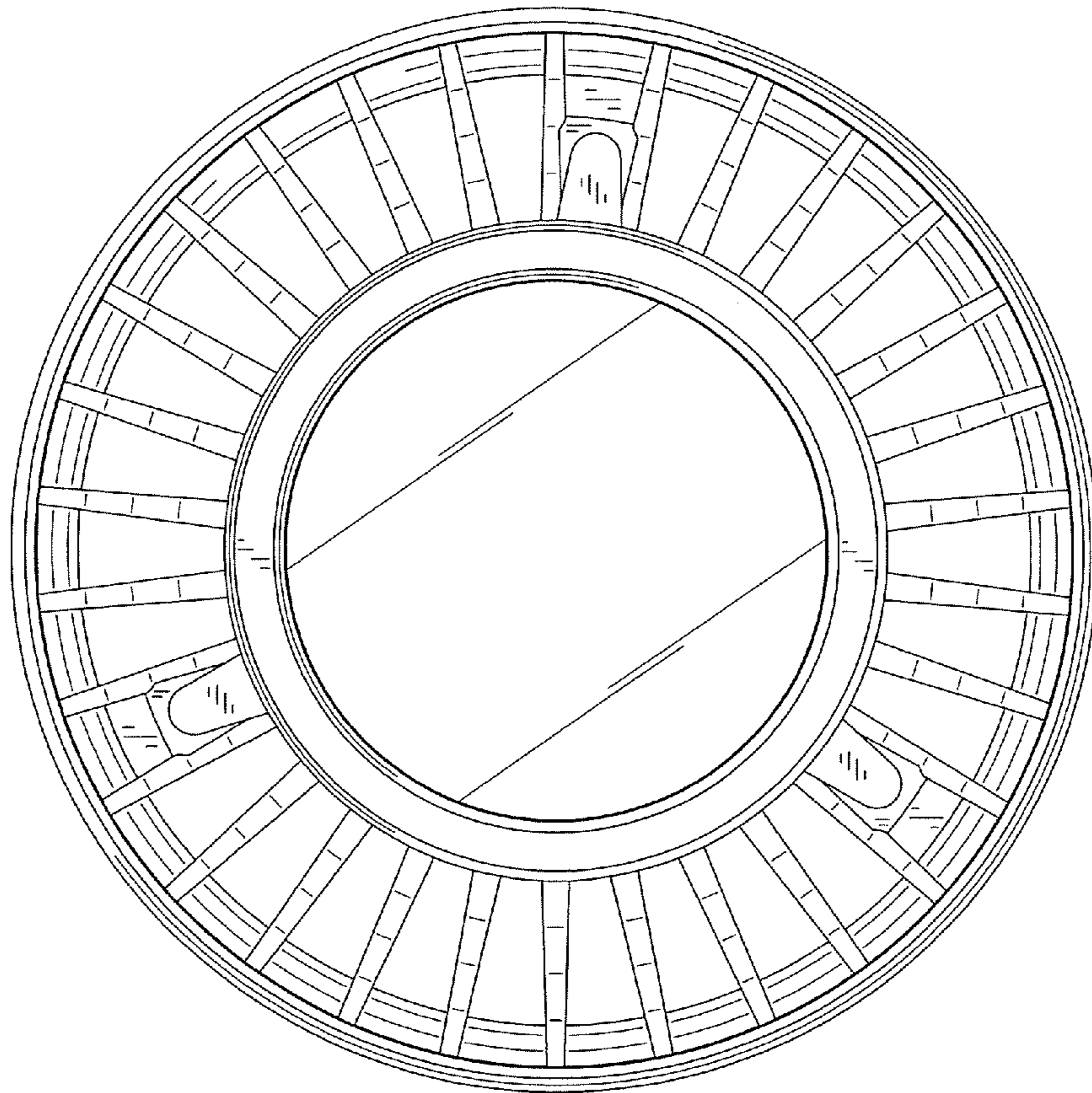


FIG. 15

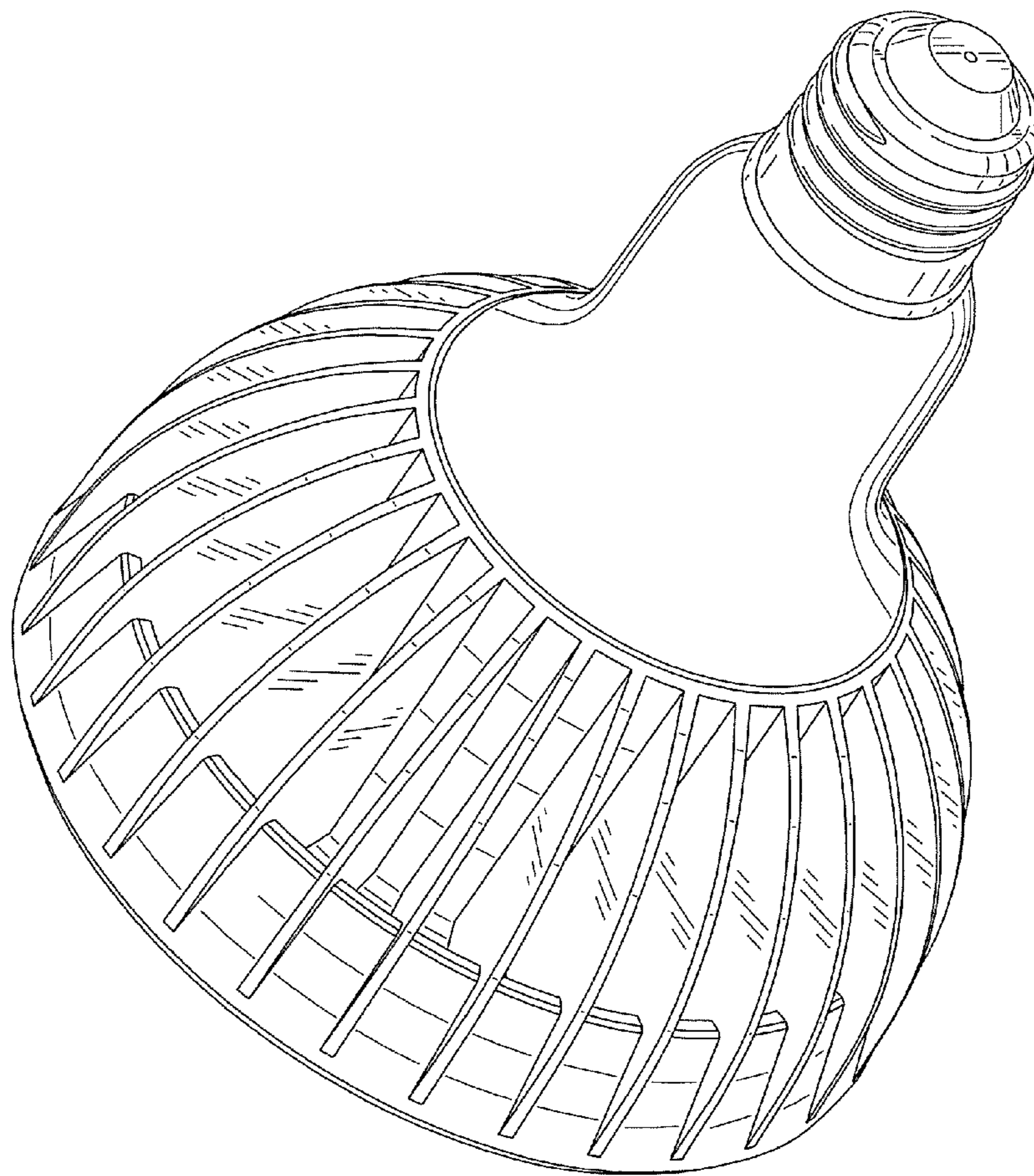


FIG. 16