



US00D668356S

(12) **United States Design Patent**
Griffiths

(10) **Patent No.:** **US D668,356 S**

(45) **Date of Patent:** **** Oct. 2, 2012**

(54) **WALL PANEL**

(75) Inventor: **Robert T. Griffiths**, Elk River, MN (US)

(73) Assignee: **Firestone Building Products Company, LLC**, Indianapolis, IN (US)

(**) Term: **14 Years**

(21) Appl. No.: **29/388,698**

(22) Filed: **Mar. 31, 2011**

(51) **LOC (9) Cl.** **25-01**

(52) **U.S. Cl.** **D25/125**

(58) **Field of Classification Search** D25/141,
D25/119, 125; 52/588.1, 478, 537, 235,
52/309.14, 518, 555

See application file for complete search history.

(56) **References Cited**

U.S. PATENT DOCUMENTS

D21,313 S	1/1892	Faulhaber
3,041,784 A	7/1962	Facer et al.
3,062,337 A	11/1962	Zittle
D205,008 S	6/1966	Lee et al.
3,290,845 A	12/1966	Snyder
3,320,711 A	5/1967	Johnson
3,399,503 A	9/1968	Payne et al.
D214,665 S	7/1969	Tischuk
3,466,831 A	9/1969	Lenoir
3,482,367 A	12/1969	Curran
3,656,515 A	4/1972	Wögerbauer et al.
3,733,232 A	5/1973	Payne
3,906,696 A	9/1975	Poter et al.
4,176,503 A	12/1979	Ting
4,195,459 A	4/1980	Anderson
4,223,503 A	9/1980	Hague
D259,143 S	5/1981	Aktinson
4,267,679 A	5/1981	Thompson
4,283,897 A	8/1981	Thompson
4,295,304 A	10/1981	Kim
4,373,312 A	2/1983	Kim
4,400,922 A	8/1983	Boyer
4,466,224 A	8/1984	Hague
4,467,582 A	8/1984	Hague

4,577,445 A	3/1986	Price
4,580,384 A	4/1986	Hutcheson
4,941,304 A	7/1990	Lewellin
5,020,295 A	6/1991	Haines et al.
5,072,563 A	12/1991	Menegoli
5,425,210 A	6/1995	Zafir
5,524,409 A	6/1996	Kaiser

(Continued)

FOREIGN PATENT DOCUMENTS

EP 0 056 031 5/1984

(Continued)

OTHER PUBLICATIONS

Sweet's General Building & Renovation Catalog File, Thermal & Moisture Protection, 1998, p. 1-2, vol. 7.

(Continued)

Primary Examiner — Doris Clark

(74) *Attorney, Agent, or Firm* — Jason A. Houser; Fay Sharpe LLP

(57) **CLAIM**

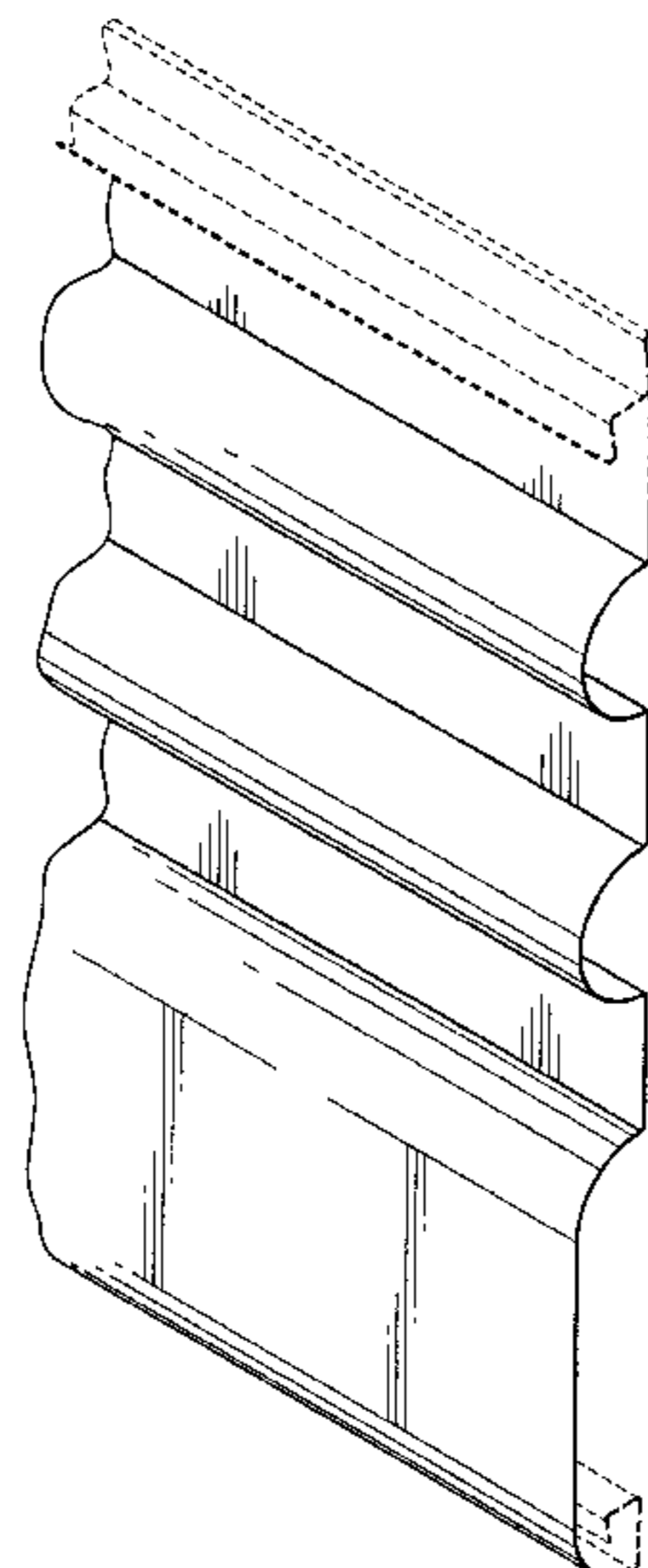
The ornamental design for a wall panel, as shown and described.

DESCRIPTION

FIG. 1 is a perspective view of a wall panel illustrating my new design;
FIG. 2 is a right side elevation view thereof;
FIG. 3 is a front elevation view thereof;
FIG. 4 is a rear elevation view thereof;
FIG. 5 is a top plan view thereof;
FIG. 6 is a bottom plan view thereof; and,
FIG. 7 is a perspective view of two wall panels interengaged with one another.

The broken lines are for illustrative purposes only and form no part of the claimed design. The claimed design is broken on one side to indicate indefinite length.

1 Claim, 4 Drawing Sheets



US D668,356 S

Page 2

U.S. PATENT DOCUMENTS

5,581,955	A	12/1996	Gleave	
D380,281	S	6/1997	Menz	
5,697,197	A	12/1997	Simpson	
5,725,201	A *	3/1998	Parth	256/24
5,749,282	A	5/1998	Brow et al.	
5,775,042	A	7/1998	Mowery et al.	
5,784,846	A	7/1998	Godschalx	
D404,504	S *	1/1999	Dickey	D25/125
5,875,592	A	3/1999	Allman et al.	
5,878,534	A	3/1999	Gleave	
5,885,154	A	3/1999	Napadow et al.	
5,890,328	A	4/1999	Gleave	
D421,137	S	2/2000	Marshall	
D421,807	S	3/2000	Reid	
D426,321	S	6/2000	Lockwood	
6,085,485	A	7/2000	Murdock	
6,088,992	A	7/2000	Nunley	
6,108,993	A	8/2000	Hageman	
6,141,932	A	11/2000	Tarrant	
6,205,725	B1	3/2001	Butler	
D443,078	S *	5/2001	Wilson	D25/141
6,240,682	B1	6/2001	James et al.	
6,250,036	B1	6/2001	Nurley et al.	
6,253,511	B1	7/2001	Boyer	
D479,751	S	9/2003	Schofield	
6,627,128	B1	9/2003	Boyer	
6,968,659	B2	11/2005	Boyer	
7,007,433	B2	3/2006	Boyer	
D526,724	S *	8/2006	Chuang	D25/125
D526,726	S *	8/2006	Bragg et al.	D25/141
D527,834	S	9/2006	Thimons et al.	
D538,948	S	3/2007	Thimons et al.	
7,678,219	B2	3/2010	Thompson et al.	
7,748,181	B1	7/2010	Guinn	

2003/0033767	A1	2/2003	Mead	
2004/0007150	A1	1/2004	Gleave	
2005/0081477	A1	4/2005	St. Quinton	
2005/0124190	A1	6/2005	Mead	
2006/0016135	A1	1/2006	Mead	
2006/0059836	A1 *	3/2006	Monsieur	52/588.1
2007/0000623	A1	1/2007	Manser	
2007/0068113	A1	3/2007	St. Quinton	
2008/0029209	A1	2/2008	Thompson et al.	
2008/0127586	A1	6/2008	Carolan	
2008/0271399	A1	11/2008	Carolan	
2008/0295441	A1	12/2008	Carolan et al.	
2009/0025335	A1	1/2009	Flynn et al.	
2009/0301022	A1 *	12/2009	Rockwell et al.	52/588.1
2010/0088988	A1 *	4/2010	Gaudreau	52/309.1

FOREIGN PATENT DOCUMENTS

EP	1 201 843	2/2007
FR	1 392 017	3/1965
GB	2 227 712	8/1990
GB	2 297 986	8/1996

OTHER PUBLICATIONS

Centria Architectural Systems, Concept Series Panels Horizontal Application, Jan. 2008, p. CSH-02.

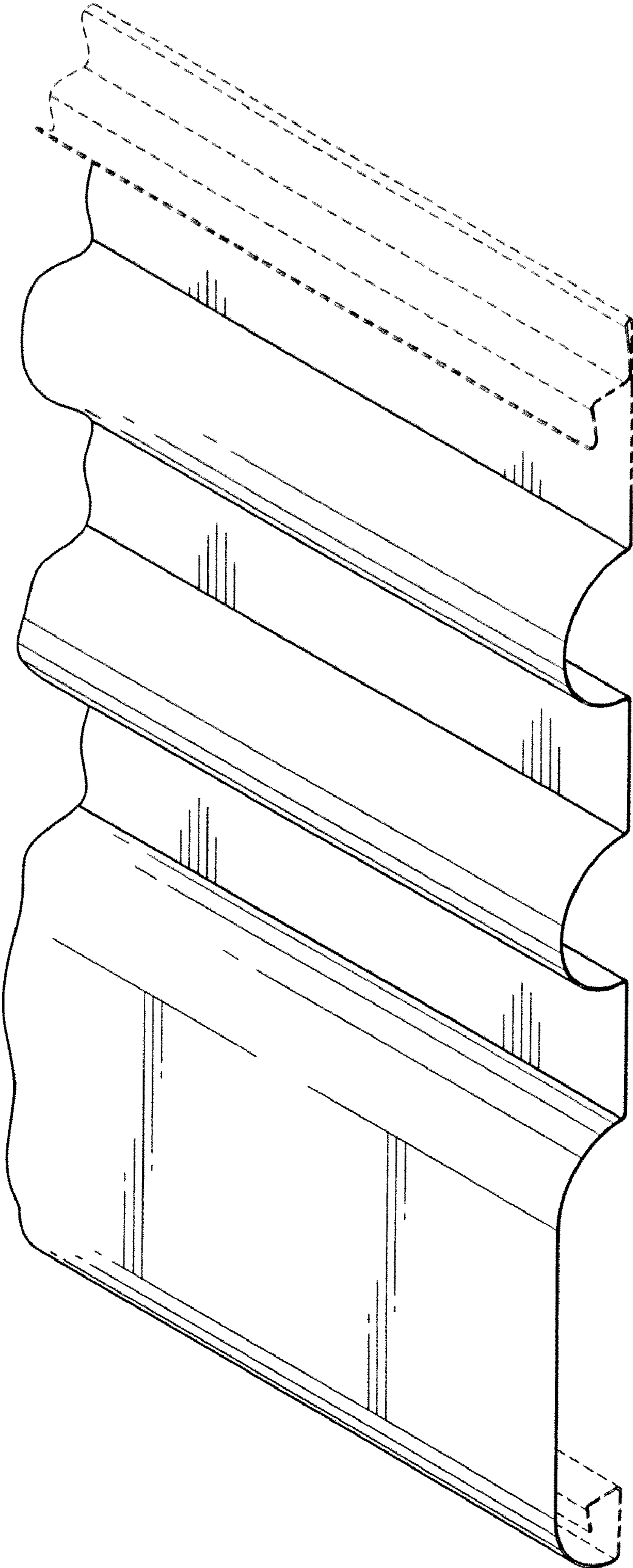
Centria Architectural Systems, Concept Series Panels Vertical Application, Jan. 2008, p. CSV-02.

Whirlwind Building Components, shadow Wall Panel Pricing, Jan. 1, 2000, p. SWP-1.

ATAS, Multi Purpose Panels, Mar. 23, 2010, pp. 1 and 2. <http://www.atas.com/Products/Roof/ThroughFastenedPanel/MultiPurposePanel/tabid/84/Default.aspx>.

* cited by examiner

FIG. 1



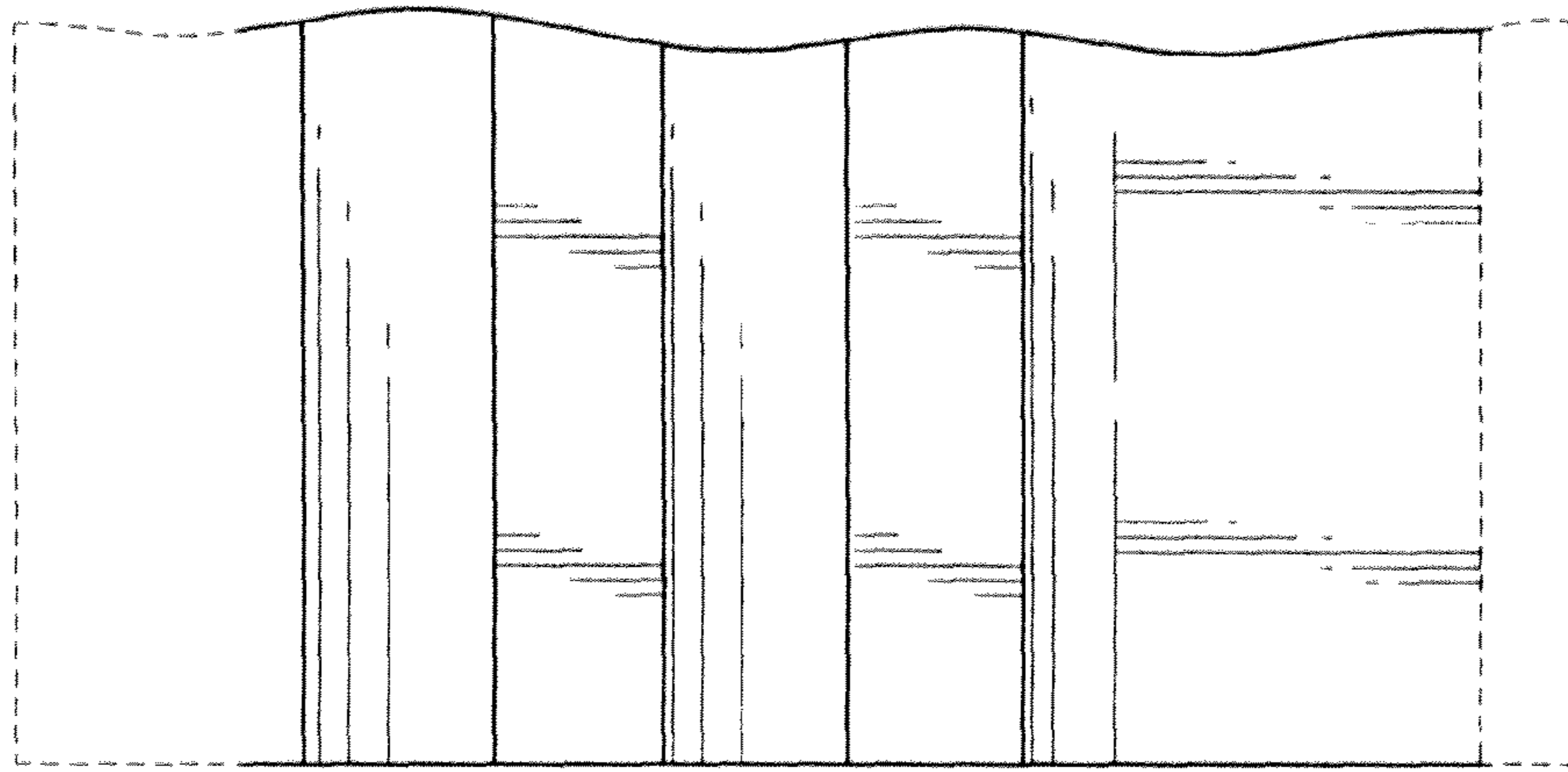


FIG. 4



FIG. 2



FIG. 3

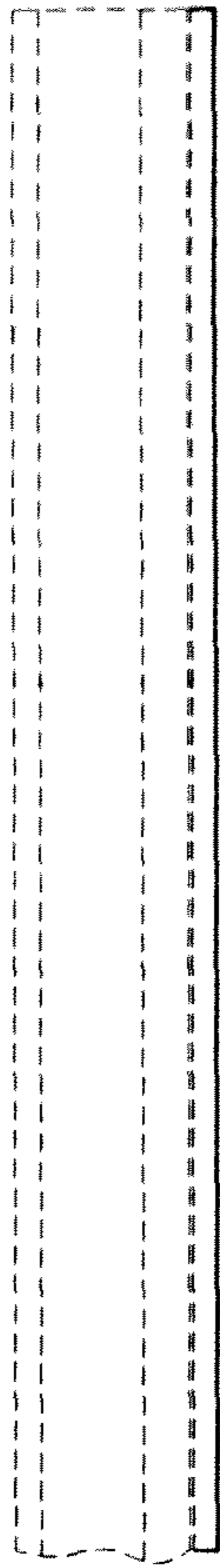


FIG. 5

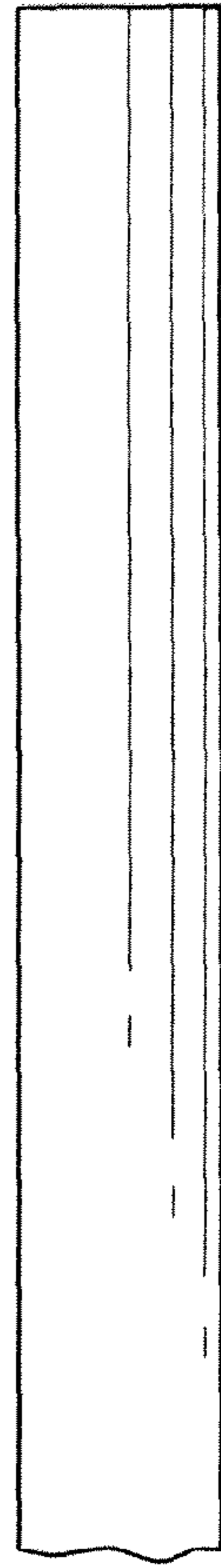


FIG. 6

FIG. 7

