



US00D668355S

(12) **United States Design Patent**
Divall et al.

(10) **Patent No.:** **US D668,355 S**

(45) **Date of Patent:** **** Oct. 2, 2012**

(54) **CHANNEL**

(76) Inventors: **Alan David Divall**, Ashmore (AU);
Darren Paul Galway, Main Beach (AU)

(**) Term: **14 Years**

(21) Appl. No.: **29/389,611**

(22) Filed: **Apr. 14, 2011**

(30) **Foreign Application Priority Data**

Nov. 18, 2010 (AU) 15084/2010

(51) **LOC (9) Cl.** **25-01**

(52) **U.S. Cl.** **D25/119**

(58) **Field of Classification Search** 256/65.01,
256/65.02, 65.15; 160/76, 106, 107, 201,
160/391; 52/800, 800.11, 800.12, 716.8,
52/717.01, 718.04; D25/119, 38, 126
See application file for complete search history.

(56) **References Cited**

U.S. PATENT DOCUMENTS

3,349,532 A * 10/1967 Dudoff 52/301
3,385,567 A * 5/1968 Case et al. 256/24
4,346,872 A * 8/1982 Tornya 256/65.02
4,447,935 A * 5/1984 Ausnit 24/456
5,237,785 A * 8/1993 Lukes 52/86

5,724,779 A * 3/1998 Chang 52/239
D431,659 S * 10/2000 Bouchard D25/126
D497,678 S * 10/2004 Brabeck D25/119
6,829,865 B2 * 12/2004 Smith 52/211

* cited by examiner

Primary Examiner — Doris Clark

(74) *Attorney, Agent, or Firm* — Marshall, Gerstein & Borun
LLP; Thomas K. Stine; Richard M. LaBarge

(57) **CLAIM**

The ornamental design for a channel, as shown and described.

DESCRIPTION

FIG. 1 is an enlarged a front, top, and end view of a channel that has the design.

FIG. 2 is top plan view of the channel.

FIG. 3 is an end view of the channel.

FIG. 4 is a front elevation.

FIG. 5 is an opposite end view; and,

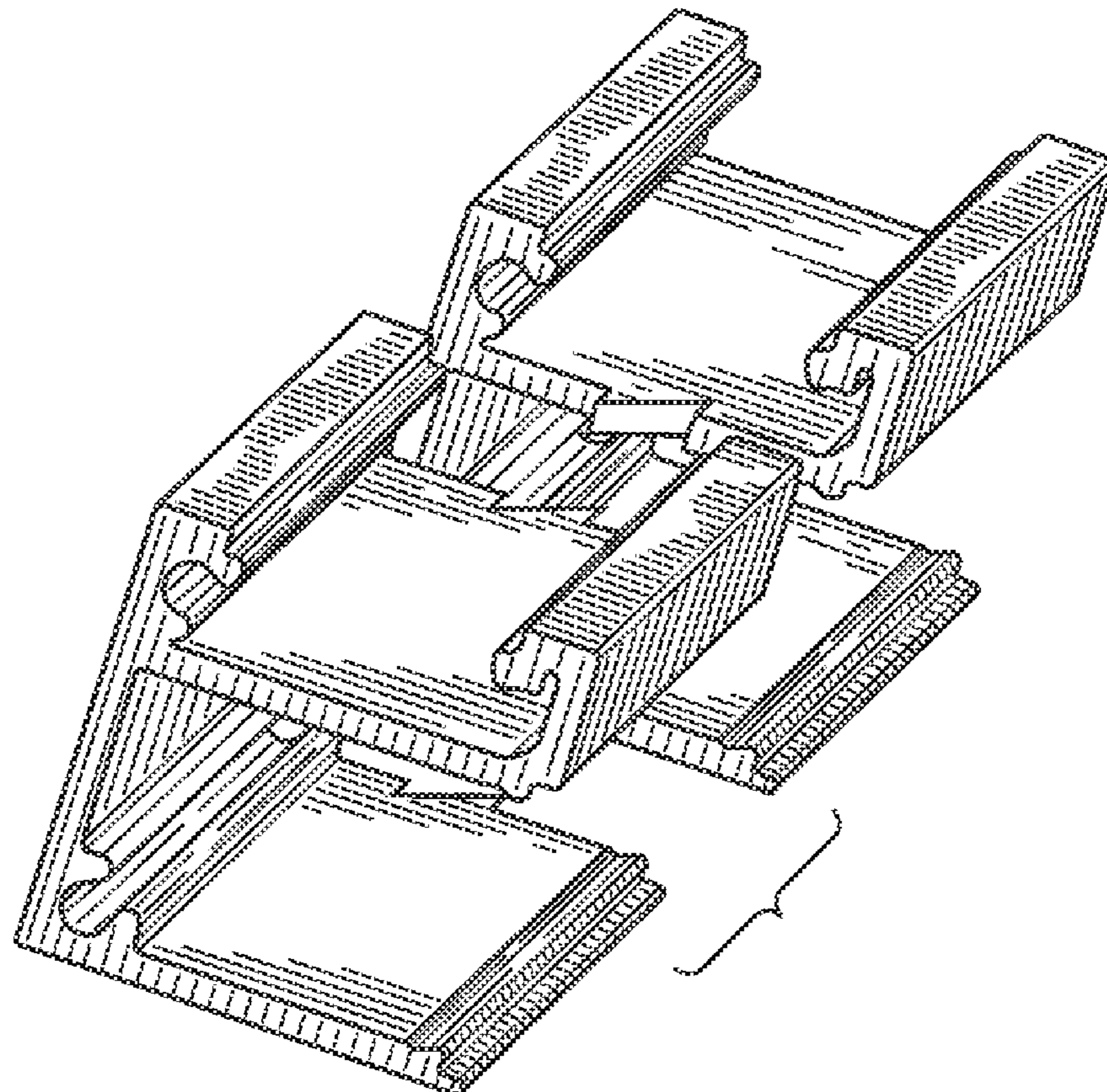
FIG. 6 is a bottom view. The back is also planar, and looks the same as the bottom.

The width of the channel may vary.

The channel is used as a post for fencing or screens, with the fence or screen elements fitting into the channel in the front.

The channel can also be used as a rail or a picture frame.

1 Claim, 1 Drawing Sheet



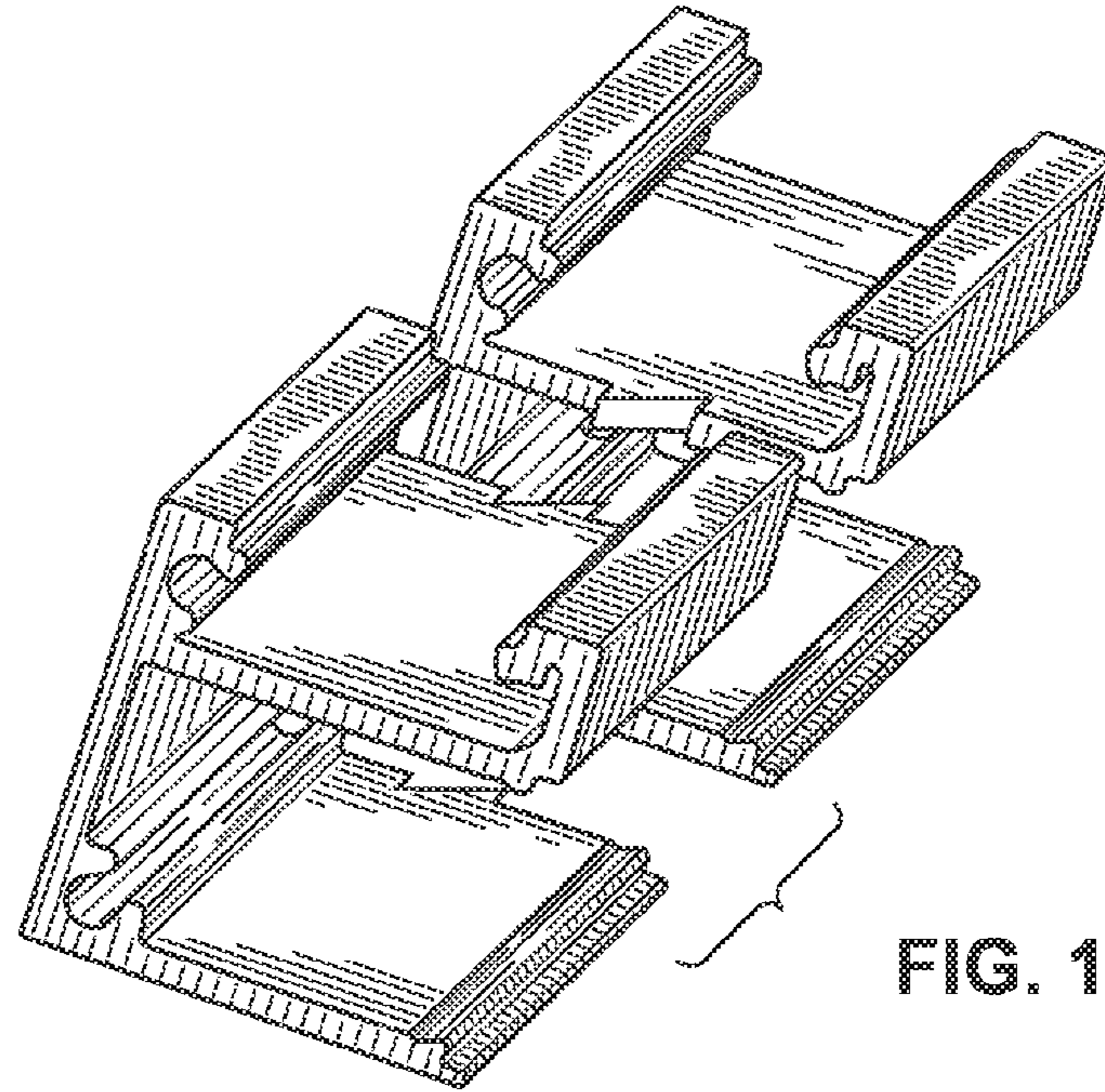


FIG. 1

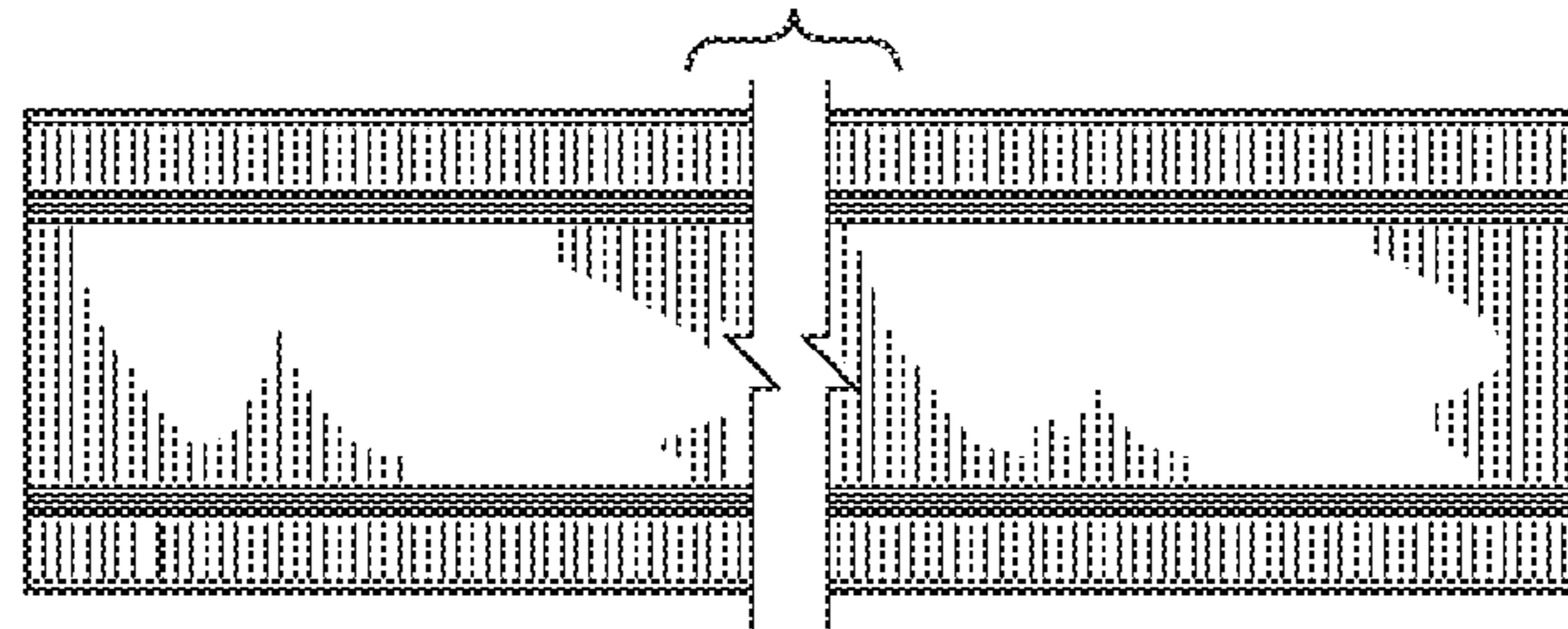


FIG. 2

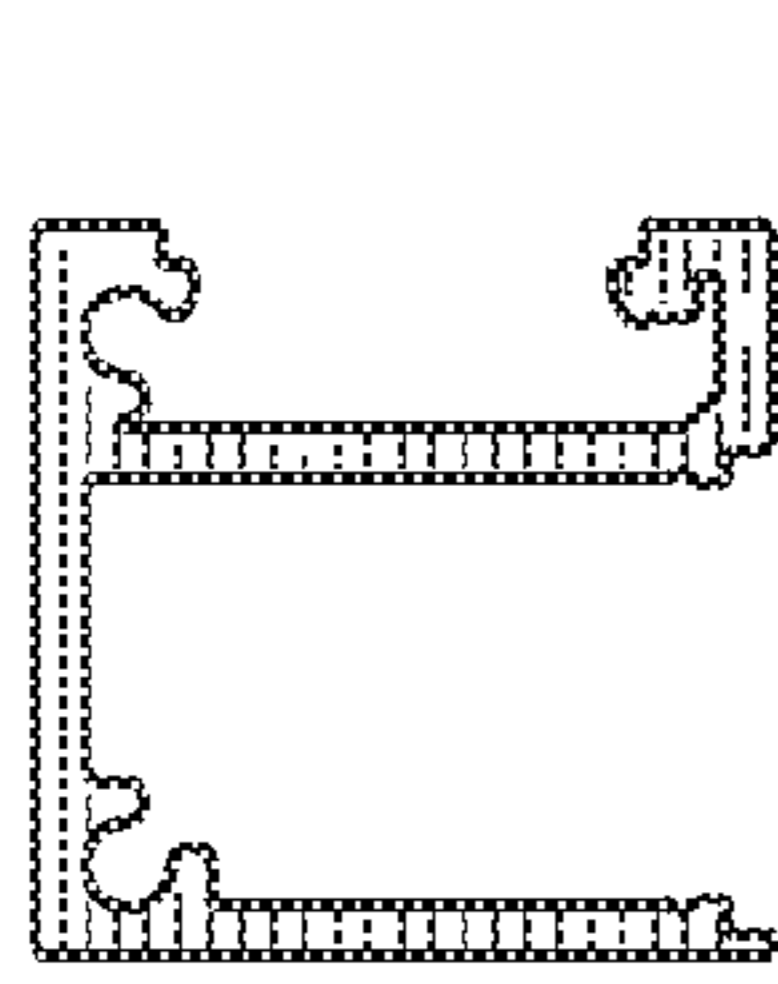


FIG. 3

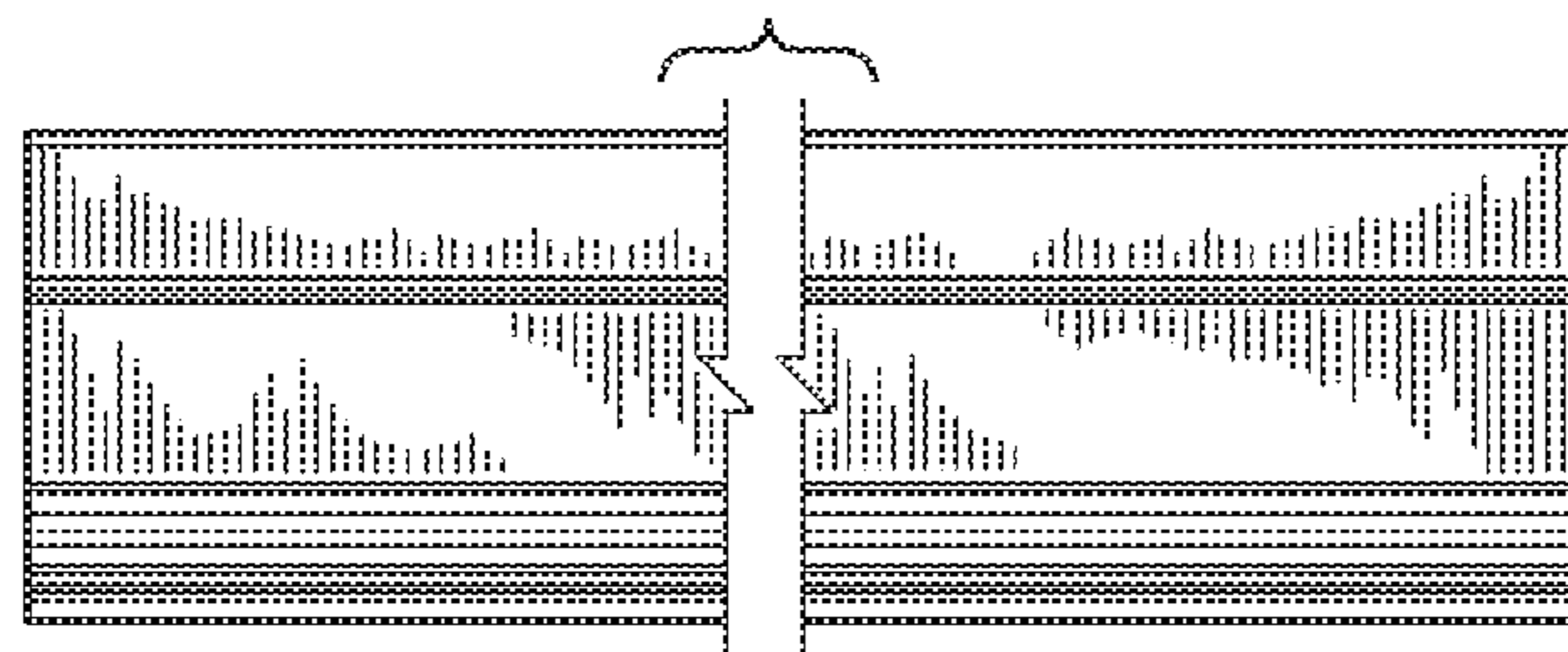


FIG. 4

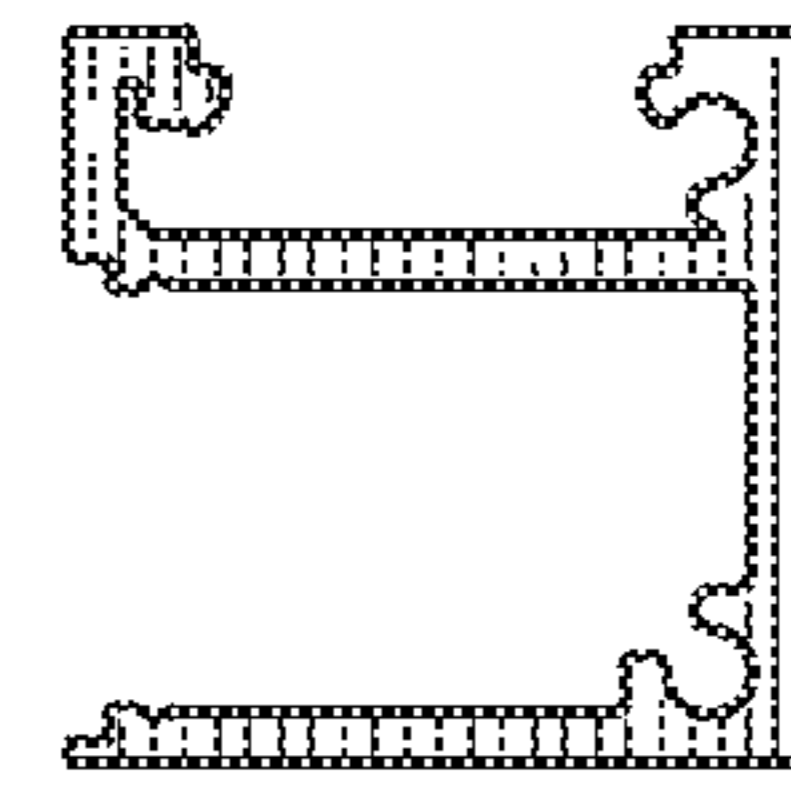


FIG. 5

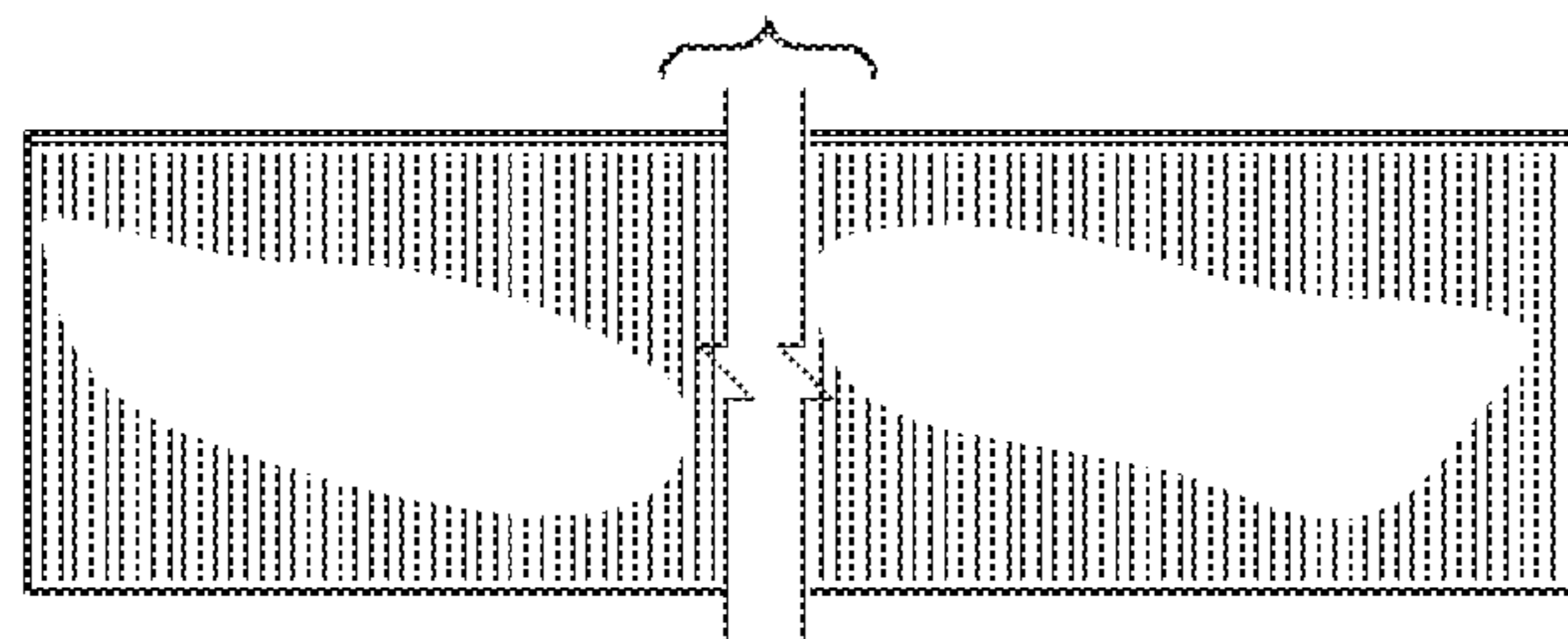


FIG. 6