

US00D668354S

(12) **United States Design Patent**
Griffiths

(10) **Patent No.:** **US D668,354 S**
(45) **Date of Patent:** **** Oct. 2, 2012**

(54) **WALL PANEL**
(75) Inventor: **Robert T. Griffiths**, Elk River, MN (US)
(73) Assignee: **Firestone Building Products Company, LLC**, Indianapolis, IN (US)

4,577,445 A 3/1986 Price
4,580,384 A 4/1986 Hutcheson
4,941,304 A 7/1990 Lewellin
5,020,295 A 6/1991 Haines et al.
5,072,563 A 12/1991 Menegoli
5,425,210 A 6/1995 Zafir
5,524,409 A 6/1996 Kaiser

(**) Term: **14 Years**

(Continued)

(21) Appl. No.: **29/388,704**

FOREIGN PATENT DOCUMENTS

(22) Filed: **Mar. 31, 2011**

EP 0 056 031 5/1984

(51) **LOC (9) Cl.** **25-01**

(Continued)

(52) **U.S. Cl.** **D25/119; D25/141**

OTHER PUBLICATIONS

(58) **Field of Classification Search** D25/141,
D25/119; 52/588.1, 478, 537, 235, 309.14,
52/518, 555

Sweet's General Building & Renovation Catalog File, Thermal & Moisture Protection, 1998, p. 1-2, vol. 7.

See application file for complete search history.

(Continued)

(56) **References Cited**

Primary Examiner — Doris Clark

U.S. PATENT DOCUMENTS

(74) *Attorney, Agent, or Firm* — Jason A. Houser; Fay Sharpe LLP

D21,313 S	1/1892	Faulhaber
3,041,784 A	7/1962	Facer et al.
3,062,337 A	11/1962	Zittle
D205,008 S	6/1966	Lee et al.
3,290,845 A	12/1966	Snyder
3,320,711 A	5/1967	Johnson
3,399,503 A	9/1968	Payne et al.
D214,665 S	7/1969	Tischuk
3,466,831 A	9/1969	Lenoir
3,482,367 A	12/1969	Curran
3,656,515 A	4/1972	Wögerbauer et al.
3,733,232 A	5/1973	Payne
3,906,696 A	9/1975	Poter et al.
4,176,503 A	12/1979	Ting
4,195,459 A	4/1980	Anderson
4,223,503 A	9/1980	Hague
D259,143 S	5/1981	Akkinson
4,267,679 A	5/1981	Thompson
4,283,897 A	8/1981	Thompson
4,295,304 A	10/1981	Kim
4,373,312 A	2/1983	Kim
4,400,922 A	8/1983	Boyer
4,466,224 A	8/1984	Hague
4,467,582 A	8/1984	Hague

(57) **CLAIM**

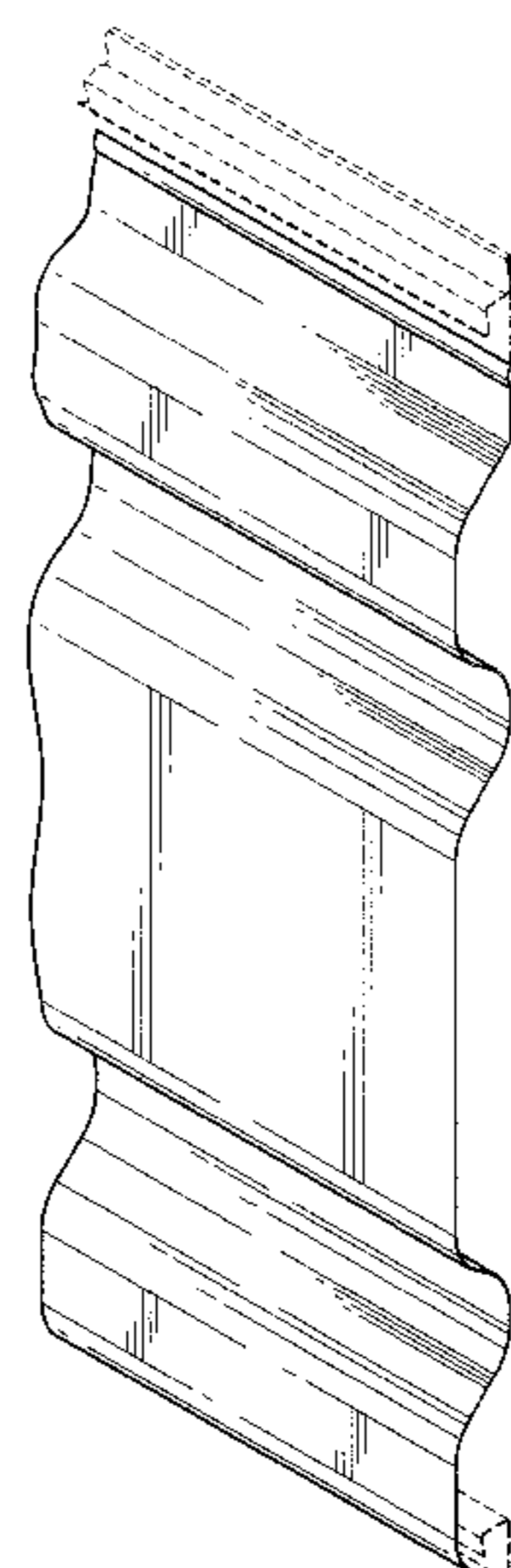
The ornamental design for a wall panel, as shown and described.

DESCRIPTION

FIG. 1 is a perspective view of a wall panel illustrating my new design;
FIG. 2 is a right side elevation view thereof;
FIG. 3 is a front elevation view thereof;
FIG. 4 is a rear elevation view thereof;
FIG. 5 is a top plan view thereof;
FIG. 6 is a bottom plan view thereof; and,
FIG. 7 is a perspective view of two wall panels interengaged with one another.

The broken lines are for illustrative purposes only and form no part of the claimed design. The claimed design is broken on one side to indicate indefinite length.

1 Claim, 4 Drawing Sheets



US D668,354 S

Page 2

U.S. PATENT DOCUMENTS

5,581,955 A 12/1996 Gleave
D380,281 S 6/1997 Menz
5,697,197 A 12/1997 Simpson
5,725,201 A * 3/1998 Parth 256/24
5,749,282 A 5/1998 Brow et al.
5,775,042 A 7/1998 Mowery et al.
5,784,846 A 7/1998 Godschalx
5,875,592 A 3/1999 Allman et al.
5,878,534 A 3/1999 Gleave
5,885,154 A 3/1999 Napadow et al.
5,890,328 A 4/1999 Gleave
D421,137 S 2/2000 Marshall
D421,807 S 3/2000 Reid
D426,321 S 6/2000 Lockwood
6,085,485 A 7/2000 Murdock
6,088,992 A 7/2000 Nunley
6,108,993 A 8/2000 Hageman
6,141,932 A 11/2000 Tarrant
6,205,725 B1 3/2001 Butler
D443,078 S * 5/2001 Wilson D25/141
6,240,682 B1 6/2001 James et al.
6,250,036 B1 6/2001 Nurley et al.
6,253,511 B1 7/2001 Boyer
D479,751 S 9/2003 Schofield
6,627,128 B1 9/2003 Boyer
6,968,659 B2 11/2005 Boyer
7,007,433 B2 3/2006 Boyer
D526,726 S * 8/2006 Bragg et al. D25/141
D527,834 S 9/2006 Thimons et al.
D538,948 S 3/2007 Thimons et al.
7,678,219 B2 3/2010 Thompson et al.
7,748,181 B1 7/2010 Guinn
2003/0033767 A1 2/2003 Mead

2004/0007150 A1 1/2004 Gleave
2005/0081477 A1 4/2005 St. Quinton
2005/0124190 A1 6/2005 Mead
2006/0016135 A1 1/2006 Mead
2006/0059836 A1 * 3/2006 Monsieur 52/588.1
2007/0000623 A1 1/2007 Manser
2007/0068113 A1 3/2007 St. Quinton
2008/0029209 A1 2/2008 Thompson et al.
2008/0127586 A1 6/2008 Carolan
2008/0271399 A1 11/2008 Carolan
2008/0295441 A1 12/2008 Carolan et al.
2009/0025335 A1 1/2009 Flynn et al.
2009/0301022 A1 * 12/2009 Rockwell et al. 52/588.1
2010/0088988 A1 * 4/2010 Gaudreau 52/309.1

FOREIGN PATENT DOCUMENTS

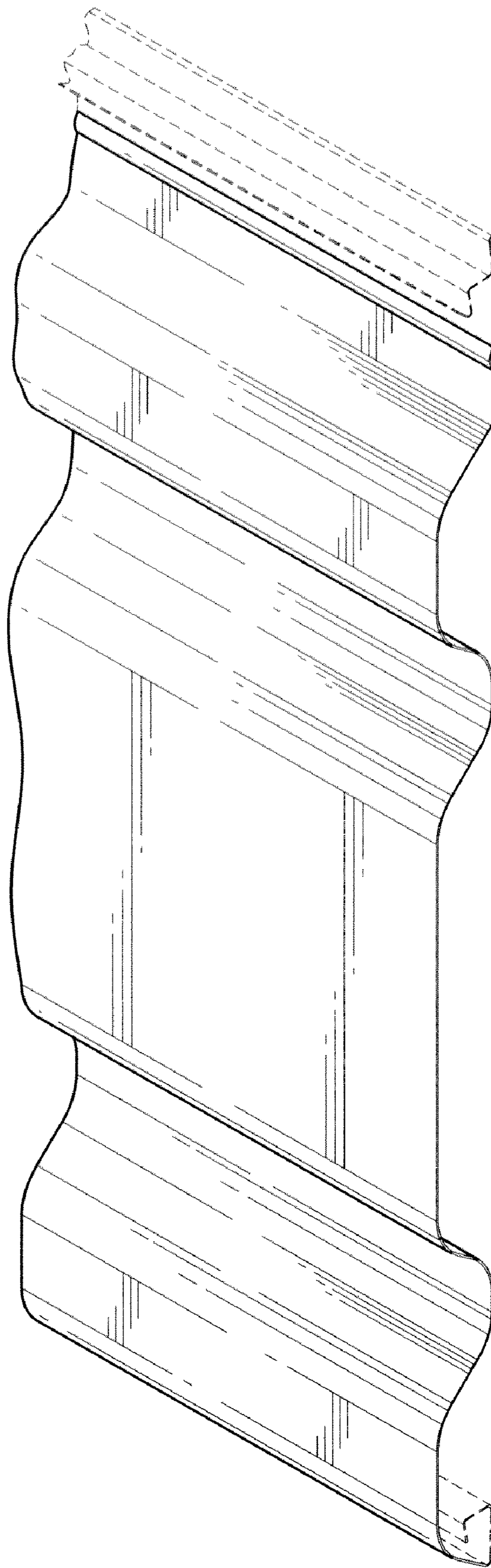
EP 1 201 843 2/2007
FR 1 392 017 3/1965
GB 2 227 712 8/1990
GB 2 297 986 8/1996

OTHER PUBLICATIONS

Centria Architectural Systems, Concept Series Panels Horizontal Application, Jan. 2008, p. CSH-02.
Centria Architectural Systems, Concept Series Panels Vertical Application, Jan. 2008, p. CSV-02.
Whirlwind Building Components, shadow Wall Panel Pricing, Jan. 1, 2000, p. SWP-1.
ATAS, Multi Purpose Panels, Mar. 23, 2010, pp. 1 and 2. <http://www.atas.com/Products/Roof/ThroughFastenedPanel/MultiPurposePanel/tabid/84/Default.aspx>.

* cited by examiner

FIG. 1



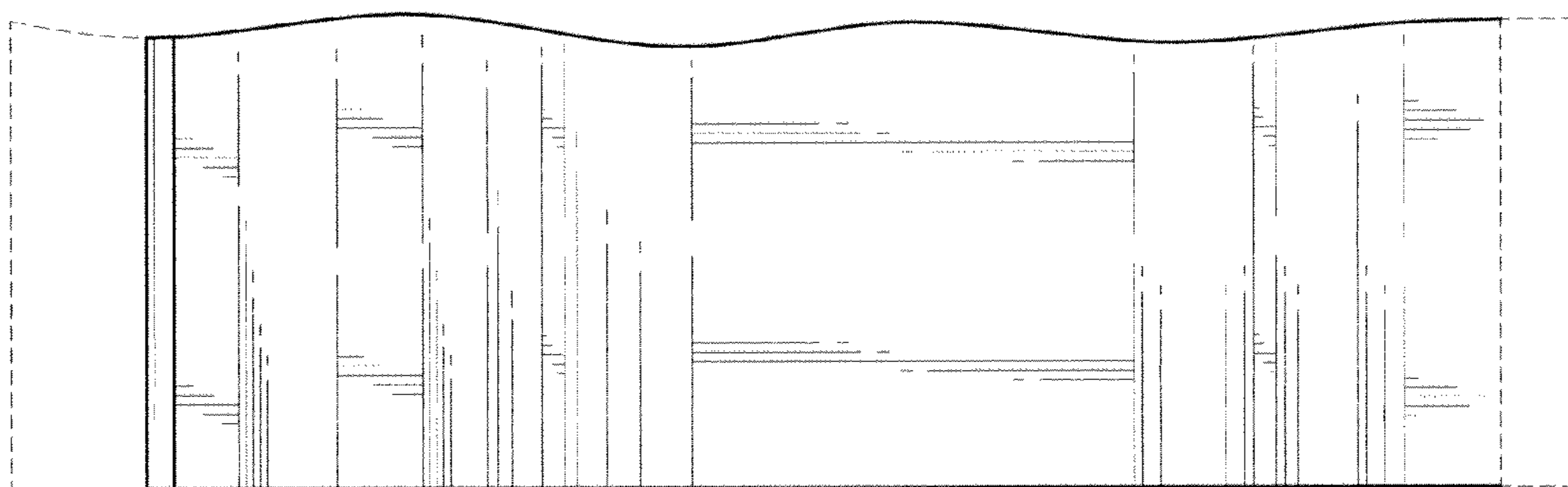


FIG. 4



FIG. 2

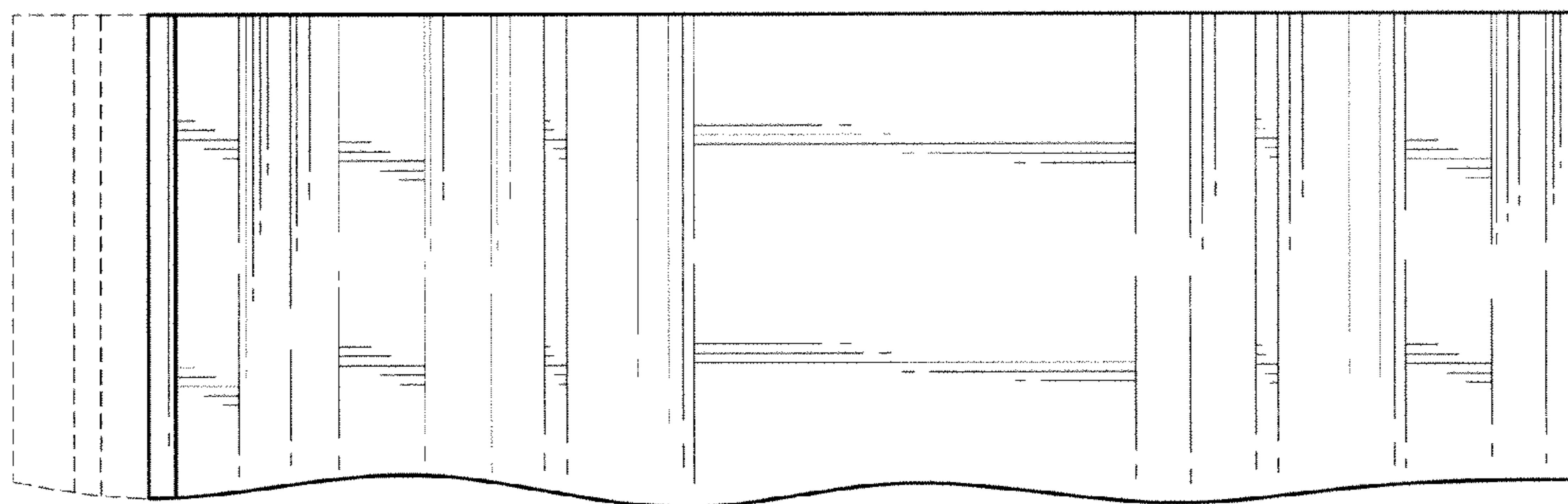


FIG. 3

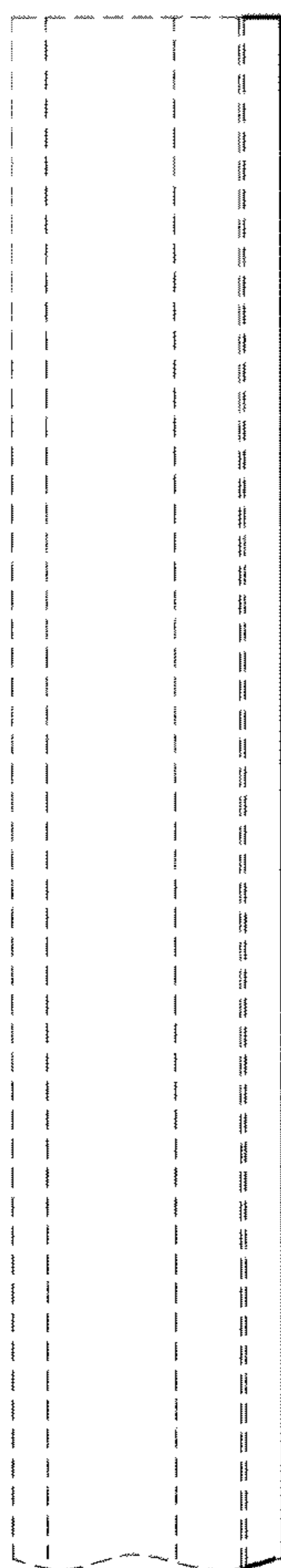


FIG. 5

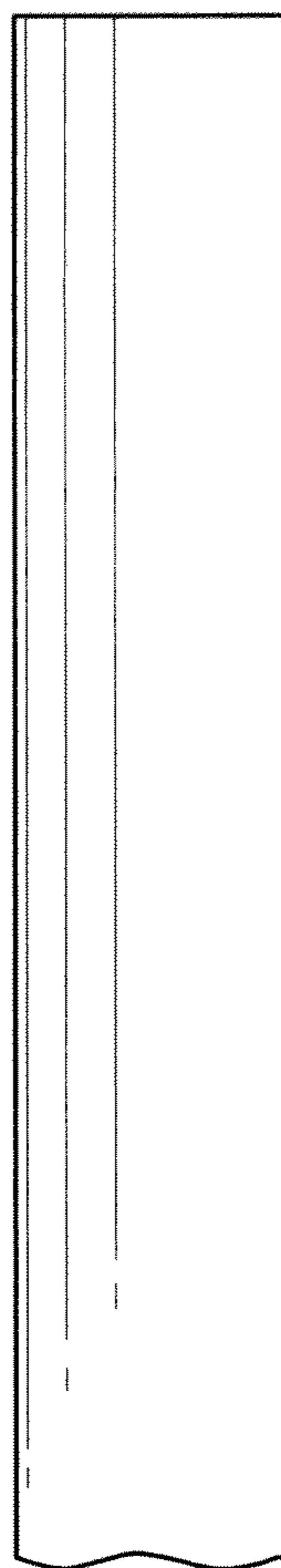


FIG. 6

FIG. 7

