

US00D668353S

(12) **United States Design Patent**  
**Griffiths**

(10) **Patent No.:** **US D668,353 S**

(45) **Date of Patent:** **\*\* Oct. 2, 2012**

(54) **WALL PANEL**

4,466,224 A 8/1984 Hague  
4,467,582 A 8/1984 Hague

(75) Inventor: **Robert T. Griffiths**, Elk River, MN (US)

(Continued)

(73) Assignee: **Firestone Building Products Company, LLC**, Indianapolis, IN (US)

FOREIGN PATENT DOCUMENTS

EP 0 056 031 5/1984

(\*\*) Term: **14 Years**

(Continued)

(21) Appl. No.: **29/388,701**

OTHER PUBLICATIONS

(22) Filed: **Mar. 31, 2011**

Sweet's General Building & Renovation Catalog File, Thermal & Moisture Protection, 1998, p. 1-2, vol. 7.

(51) **LOC (9) Cl.** ..... **25-01**

(Continued)

(52) **U.S. Cl.** ..... **D25/119; D25/141**

(58) **Field of Classification Search** ..... D25/141,  
D25/119; 52/588.1, 478, 537, 235, 309.14,  
52/518, 555

*Primary Examiner* — Doris Clark

(74) *Attorney, Agent, or Firm* — Jason A. Houser; Fay Sharpe LLP

See application file for complete search history.

(57)

**CLAIM**

(56) **References Cited**

The ornamental design for a wall panel, as shown and described.

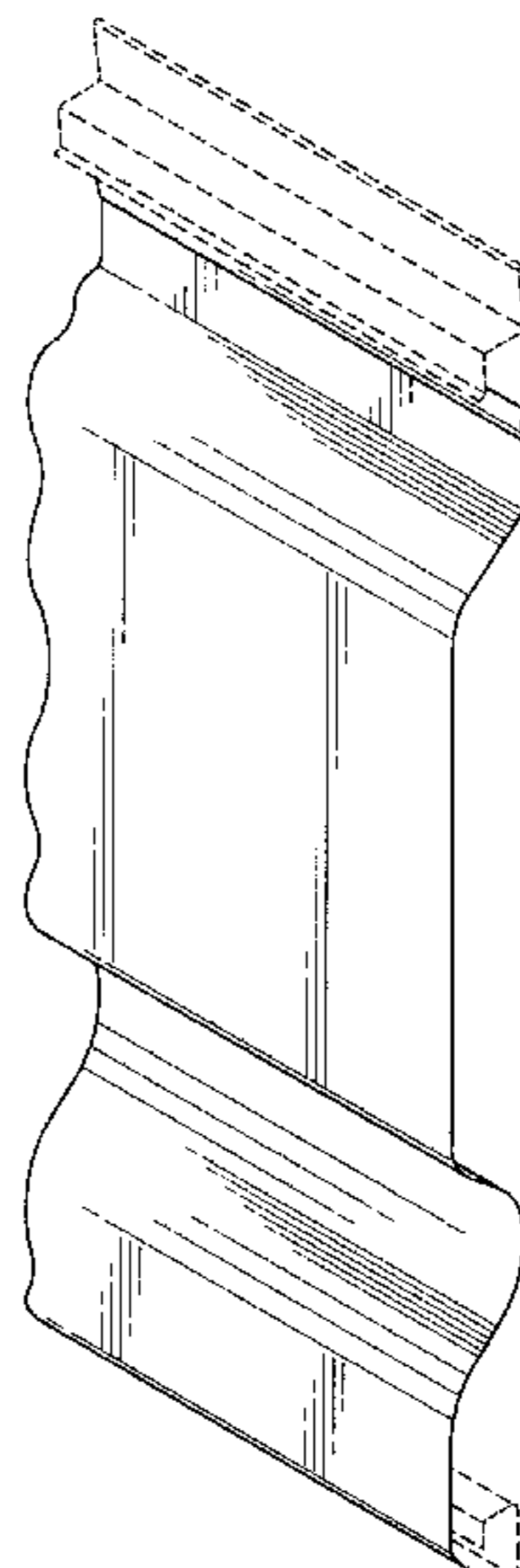
U.S. PATENT DOCUMENTS

**DESCRIPTION**

D21,313 S	1/1892	Faulhaber	
3,041,784 A	7/1962	Facer et al.	
3,062,337 A	11/1962	Zittle	
D205,008 S	6/1966	Lee et al.	
3,290,845 A	12/1966	Snyder	
3,320,711 A	5/1967	Johnson	
3,399,503 A	9/1968	Payne et al.	
D214,665 S	7/1969	Tischuk	
3,466,831 A	9/1969	Lenoir	
3,482,367 A	12/1969	Curran	
3,656,515 A	4/1972	Wögerbauer et al.	
3,733,232 A	5/1973	Payne	
3,906,696 A	9/1975	Poter et al.	
4,176,503 A	12/1979	Ting	
4,195,459 A	4/1980	Anderson	
D256,620 S *	8/1980	Madsen	D25/119
4,223,503 A	9/1980	Hague	
D259,143 S *	5/1981	Aktinson	D25/119
4,267,679 A	5/1981	Thompson	
4,283,897 A	8/1981	Thompson	
4,295,304 A	10/1981	Kim	
4,373,312 A	2/1983	Kim	
4,400,922 A	8/1983	Boyer	

FIG. 1 is a perspective view of a wall panel illustrating a second embodiment of my new design;  
 FIG. 2 is a right side elevation view of a second embodiment thereof;  
 FIG. 3 is a front elevation view of a second embodiment thereof;  
 FIG. 4 is a rear elevation view of a second embodiment thereof;  
 FIG. 5 is a top plan view of a second embodiment thereof;  
 FIG. 6 is a bottom plan view of a second embodiment thereof;  
 and,  
 FIG. 7 is a perspective view of two wall panels interengaged with one another of a second embodiment.  
 The broken lines are for illustrative purposes only and form no part of the claimed design. The claimed design is broken on one side to indicate indefinite length.

**1 Claim, 4 Drawing Sheets**



# US D668,353 S

Page 2

## U.S. PATENT DOCUMENTS

4,577,445	A	3/1986	Price	
4,580,384	A	4/1986	Hutcheson	
4,941,304	A	7/1990	Lewellin	
5,020,295	A	6/1991	Haines et al.	
5,072,563	A	12/1991	Menegoli	
5,425,210	A	6/1995	Zafir	
5,524,409	A	6/1996	Kaiser	
5,581,955	A	12/1996	Gleave	
D380,281	S	6/1997	Menz	
5,697,197	A	12/1997	Simpson	
5,725,201	A *	3/1998	Parth .....	256/24
5,749,282	A	5/1998	Brow et al.	
5,775,042	A	7/1998	Mowery et al.	
5,784,846	A	7/1998	Godschalx	
5,875,592	A	3/1999	Allman et al.	
5,878,534	A	3/1999	Gleave	
5,885,154	A	3/1999	Napadow et al.	
5,890,328	A	4/1999	Gleave	
D421,137	S	2/2000	Marshall	
D421,807	S	3/2000	Reid	
D426,321	S	6/2000	Lockwood	
6,085,485	A	7/2000	Murdock	
6,088,992	A	7/2000	Nunley	
6,108,993	A	8/2000	Hageman	
6,141,932	A	11/2000	Tarrant	
6,205,725	B1	3/2001	Butler	
D443,078	S *	5/2001	Wilson .....	D25/141
6,240,682	B1	6/2001	James et al.	
6,250,036	B1	6/2001	Nurley et al.	
6,253,511	B1	7/2001	Boyer	
D479,751	S	9/2003	Schofield	
6,627,128	B1	9/2003	Boyer	
6,968,659	B2	11/2005	Boyer	
7,007,433	B2	3/2006	Boyer	
D526,726	S *	8/2006	Bragg et al. ....	D25/141
D527,834	S	9/2006	Thimons et al.	
D538,948	S	3/2007	Thimons et al.	
7,678,219	B2	3/2010	Thompson et al.	

7,748,181	B1	7/2010	Guinn	
2003/0033767	A1	2/2003	Mead	
2004/0007150	A1	1/2004	Gleave	
2005/0081477	A1	4/2005	St. Quinton	
2005/0124190	A1	6/2005	Mead	
2006/0016135	A1	1/2006	Mead	
2006/0059836	A1 *	3/2006	Monsieur .....	52/588.1
2007/0000623	A1	1/2007	Manser	
2007/0068113	A1	3/2007	St. Quinton	
2008/0029209	A1	2/2008	Thompson et al.	
2008/0127586	A1	6/2008	Carolan	
2008/0271399	A1	11/2008	Carolan	
2008/0295441	A1	12/2008	Carolan et al.	
2009/0025335	A1	1/2009	Flynn et al.	
2009/0301022	A1 *	12/2009	Rockwell et al. ....	52/588.1
2010/0088988	A1 *	4/2010	Gaudreau .....	52/309.1

## FOREIGN PATENT DOCUMENTS

EP	1 201 843	2/2007
FR	1 392 017	3/1965
GB	2 227 712	8/1990
GB	2 297 986	8/1996

## OTHER PUBLICATIONS

Centria Architectural Systems, Concept Series Panels Horizontal Application, Jan. 2008, p. CSH-02.

Centria Architectural Systems, Concept Series Panels Vertical Application, Jan. 2008, p. CSV-02.

Whirlwind Building Components, shadow Wall Panel Pricing, Jan. 1, 2000, p. SWP-1.

ATAS, Multi Purpose Panels, Mar. 23, 2010, pp. 1 and 2. <http://www.atas.com/Products/Roof/ThroughFastenedPanel/MultiPurposePanel/tabid/84/Default.aspx>.

\* cited by examiner

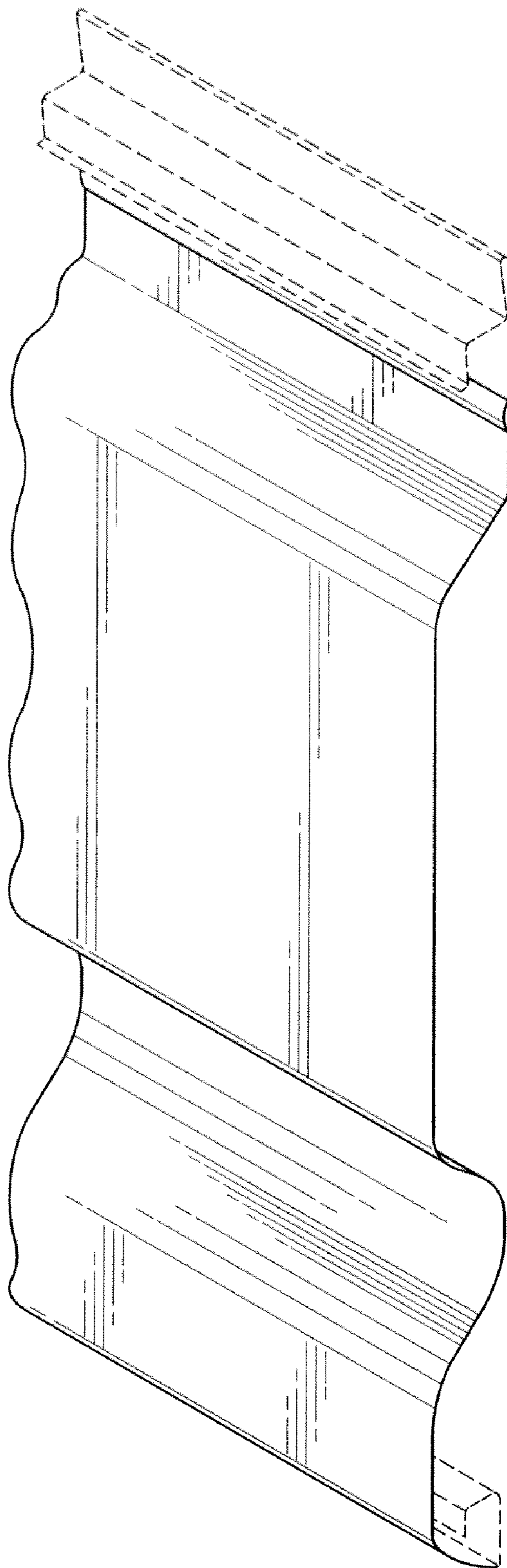


FIG. 1

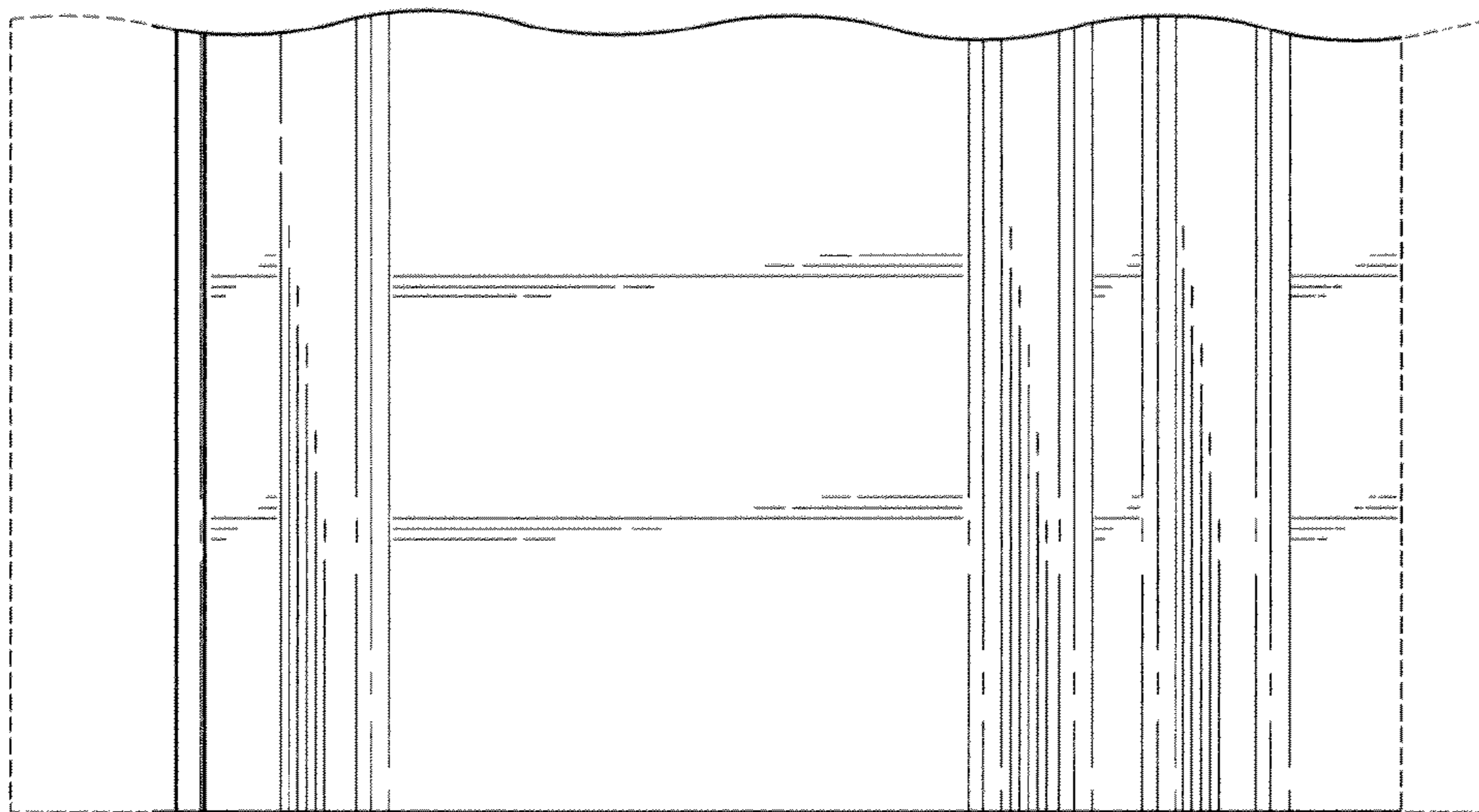


FIG. 4



FIG. 2

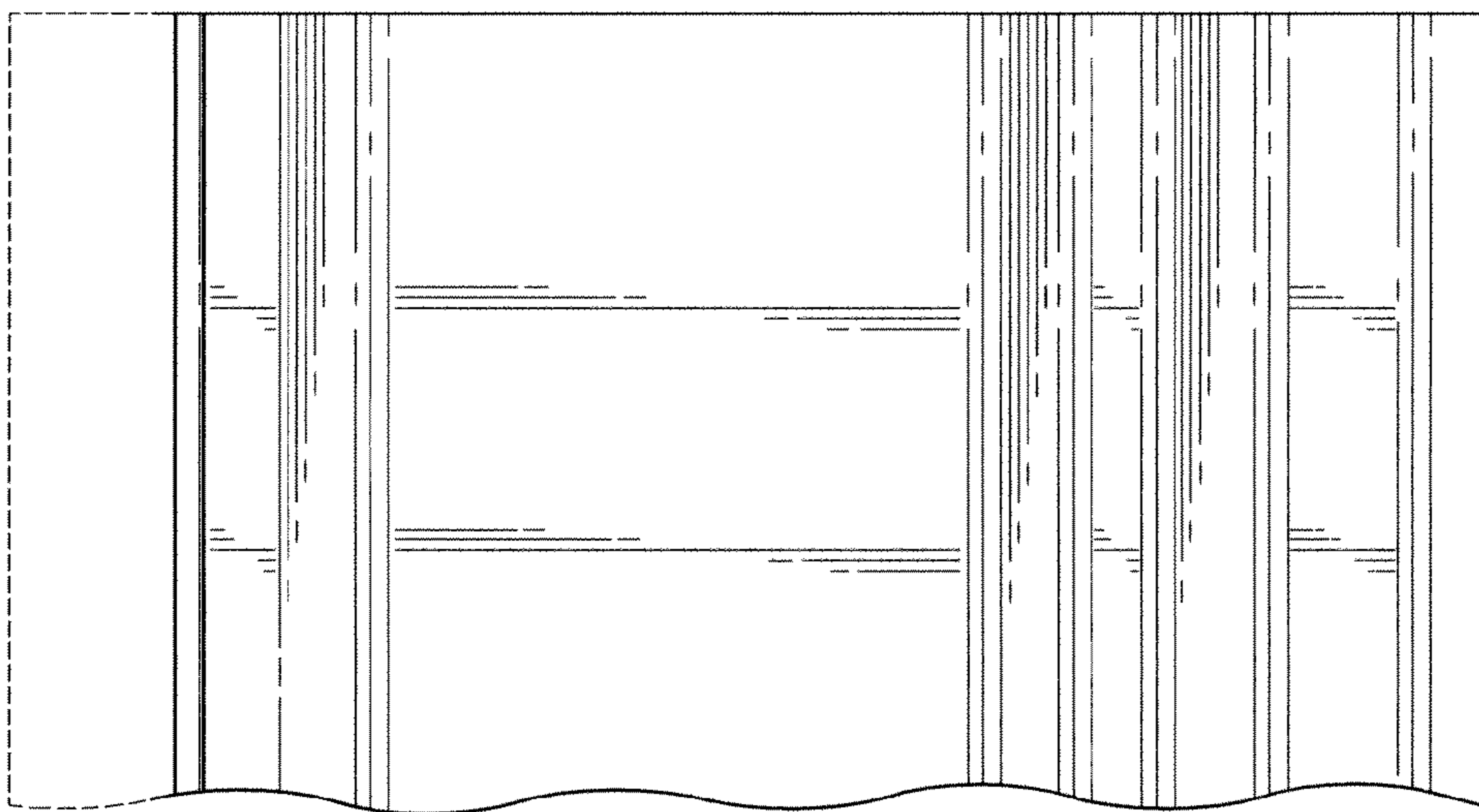


FIG. 3



FIG. 5

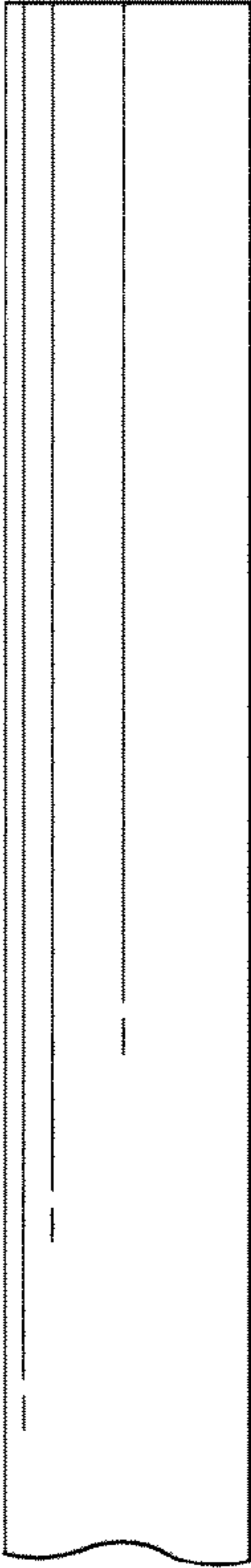


FIG. 6

FIG. 7

