

US00D668352S

(12) **United States Design Patent**  
**Field et al.**

(10) **Patent No.:** **US D668,352 S**  
(45) **Date of Patent:** **\*\* Oct. 2, 2012**

(54) **SUSPENDED CEILING WALL ANGLE**  
(75) Inventors: **Graham Keith Field**, Newcastle (GB);  
**Thomas Andreas Voigt**, Neuss (DE)  
(73) Assignee: **USG Interiors, LLC**, Chicago, IL (US)  
(\*\*) Term: **14 Years**

4,852,325 A 8/1989 Dunn et al.  
4,991,373 A \* 2/1991 Shaub ..... 52/715  
5,076,036 A 12/1991 Kuiper  
5,325,647 A 7/1994 Forry et al.  
5,572,844 A \* 11/1996 Stackenwalt et al. .... 52/506.07  
5,619,833 A \* 4/1997 Neff ..... 52/506.07  
5,893,249 A 4/1999 Peterson et al.  
6,041,564 A 3/2000 Shirey  
6,318,042 B1 11/2001 Bloom et al.

(Continued)

(21) Appl. No.: **29/414,060**

(22) Filed: **Feb. 24, 2012**

**Related U.S. Application Data**

(63) Continuation of application No. 12/747,540, filed on Oct. 20, 2010.

(30) **Foreign Application Priority Data**

Jan. 11, 2008 (GB) ..... 0800496.2

(51) **LOC (9) Cl.** ..... **25-02**

(52) **U.S. Cl.** ..... **D25/61; D25/119**

(58) **Field of Classification Search** ..... D25/119,  
D25/61, 126; 52/474, 476, 506.06, 506.07,  
52/506.08, 506.09, 506.1, 574, 656.1, 220.6  
See application file for complete search history.

(56) **References Cited**

**U.S. PATENT DOCUMENTS**

2,059,483 A 11/1936 Parsons  
3,270,479 A 9/1966 Weinar  
3,730,798 A 5/1973 Franz  
3,828,507 A \* 8/1974 Storer ..... 52/506.09  
3,928,950 A 12/1975 Beynon  
4,206,578 A 6/1980 Mieyal  
4,489,529 A 12/1984 Ollinger et al.  
4,505,083 A 3/1985 Mieyal  
4,554,718 A 11/1985 Ollinger et al.  
D288,615 S \* 3/1987 Hardy ..... D25/119  
4,817,357 A 4/1989 Hocevar

**FOREIGN PATENT DOCUMENTS**

CN 2263685 Y 10/1997

(Continued)

**OTHER PUBLICATIONS**

Notification of Transmittal of The International Search Report and The Written Opinion of the International Searching Authority, or the Declaration, International Search Report dated Mar. 16, 2009, Written Opinion of the International Searching Authority, International Application No. PCT/GB2009/000034, International Filing Date Jan. 7, 2009.

*Primary Examiner* — Doris Clark

(74) *Attorney, Agent, or Firm* — Pearne & Gordon LLC

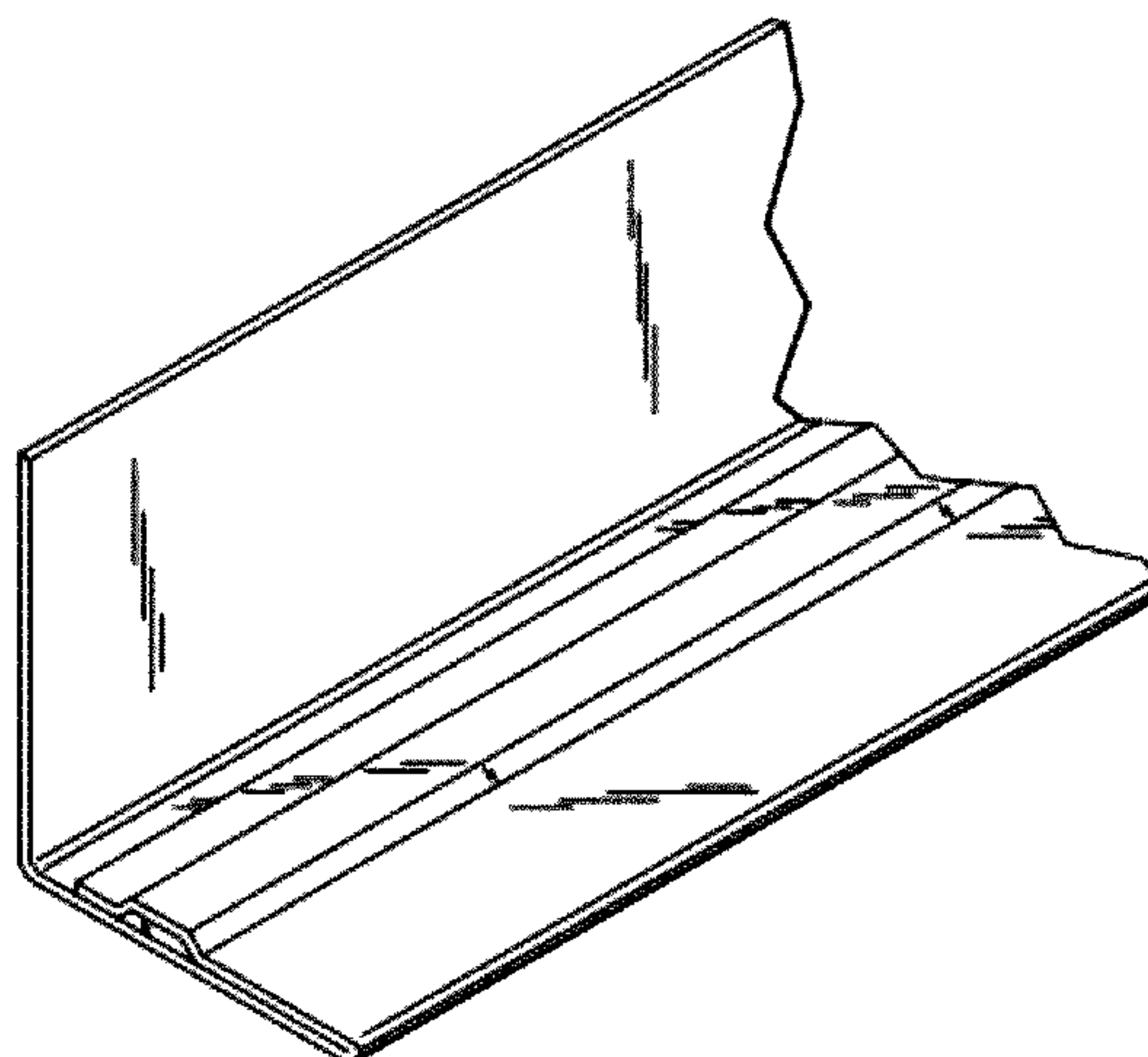
(57) **CLAIM**

The ornamental design for a suspended ceiling wall angle, as shown and described.

**DESCRIPTION**

FIG. 1 is a fragmented perspective view of a suspended ceiling wall angle showing our new design;  
FIG. 2 is an end view thereof;  
FIG. 3 is a fragmented right side view thereof;  
FIG. 4 is a fragmented top plan view thereof;  
FIG. 5 is a fragmented left side view thereof; and,  
FIG. 6 is a fragmented bottom plan view thereof.

**1 Claim, 2 Drawing Sheets**



# US D668,352 S

Page 2

---

## U.S. PATENT DOCUMENTS

6,389,771 B1 5/2002 Moller  
D467,007 S \* 12/2002 Daudet et al. .... D25/61  
7,677,004 B2 \* 3/2010 LaLonde ..... 52/506.06  
2002/0083655 A1 \* 7/2002 Paul et al. .... 52/105  
2004/0194417 A1 10/2004 Paul  
2007/0028554 A1 2/2007 Ferrell et al.  
2007/0125038 A1 6/2007 Lehane, Jr. et al.  
2008/0083521 A1 4/2008 Gelli

## FOREIGN PATENT DOCUMENTS

DE 3415278 A1 4/1984  
DE 19711316 A1 3/1996

EP 0037061 B1 10/1981  
EP 0387964 A1 9/1990  
EP 0492818 A1 7/1992  
GB 2026586 A 2/1980  
GB 2125845 A 3/1984  
GB 2389375 A 12/2003  
JP 5-163794 A 12/1991  
NL 9400938 A 1/1996  
WO 0029689 A1 5/2000  
WO 2007061524 A2 5/2007

\* cited by examiner

FIG. 1

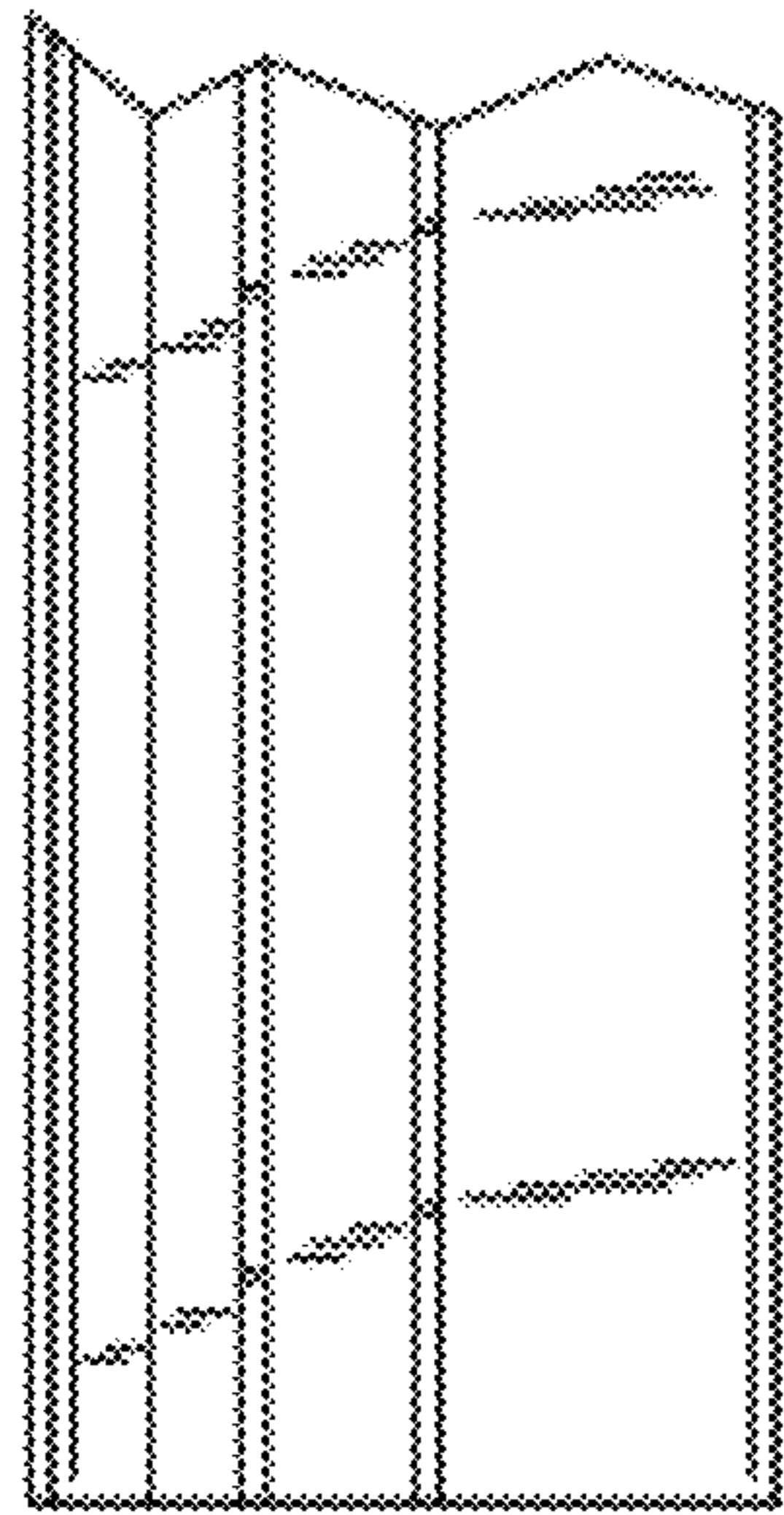
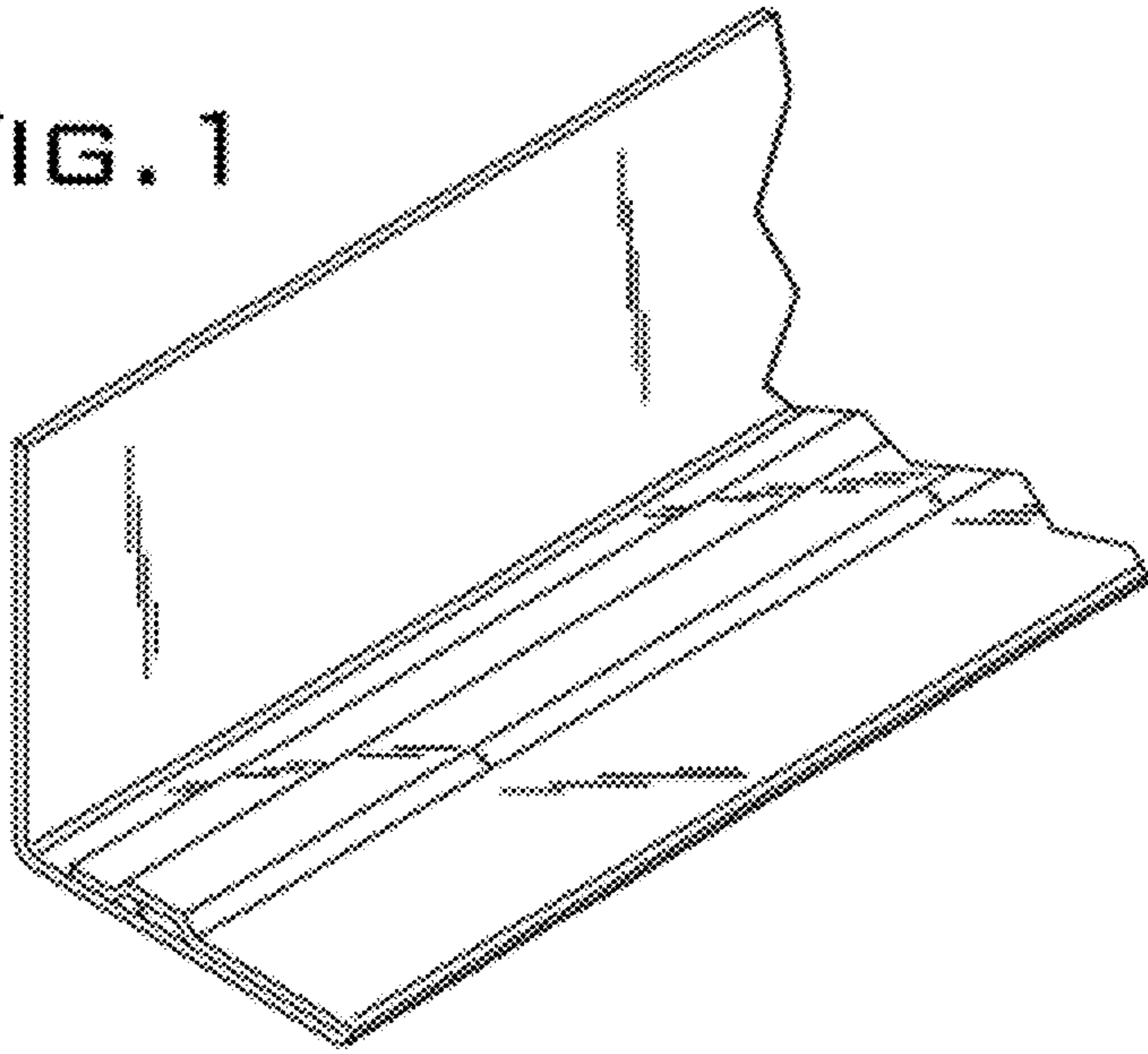


FIG. 4

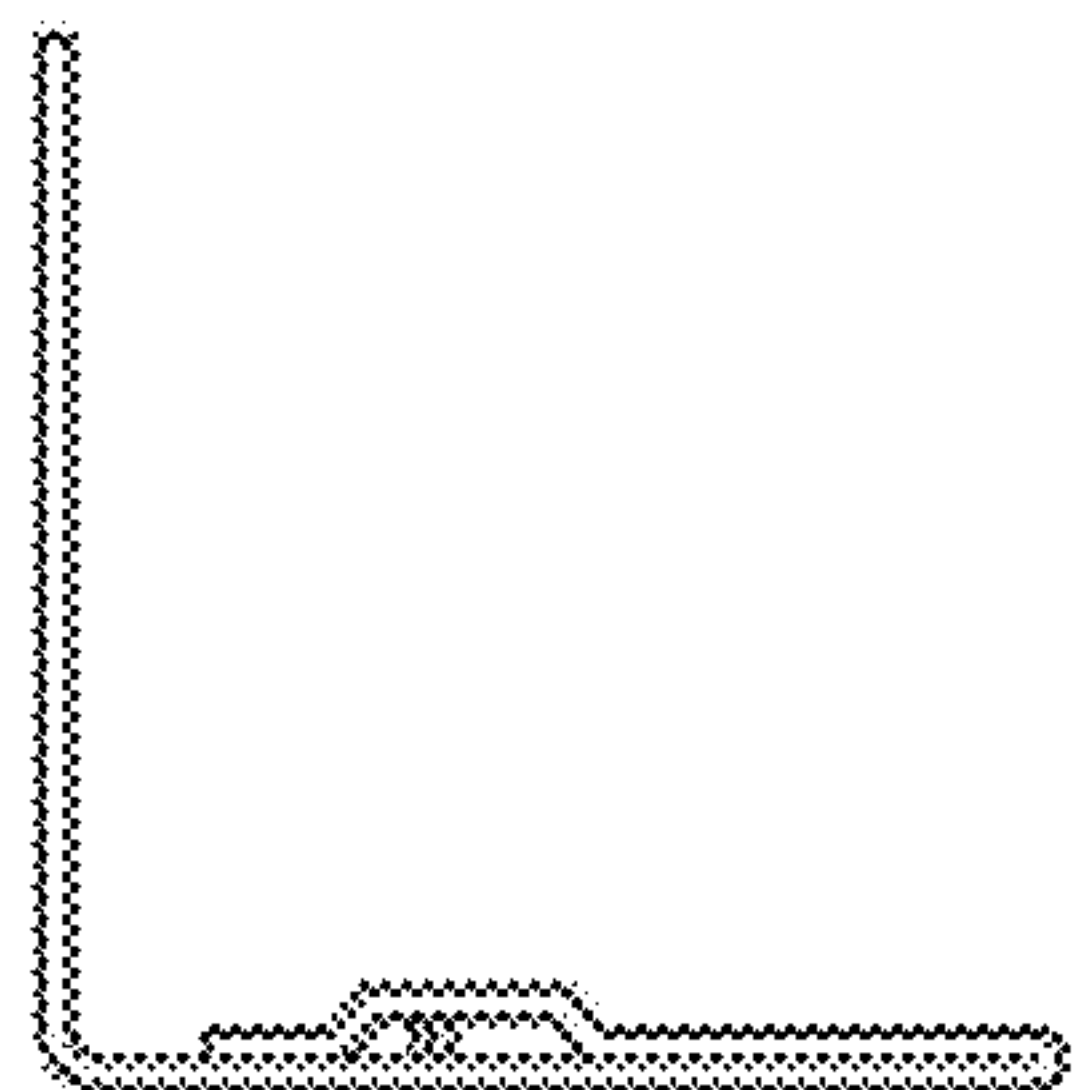


FIG. 2

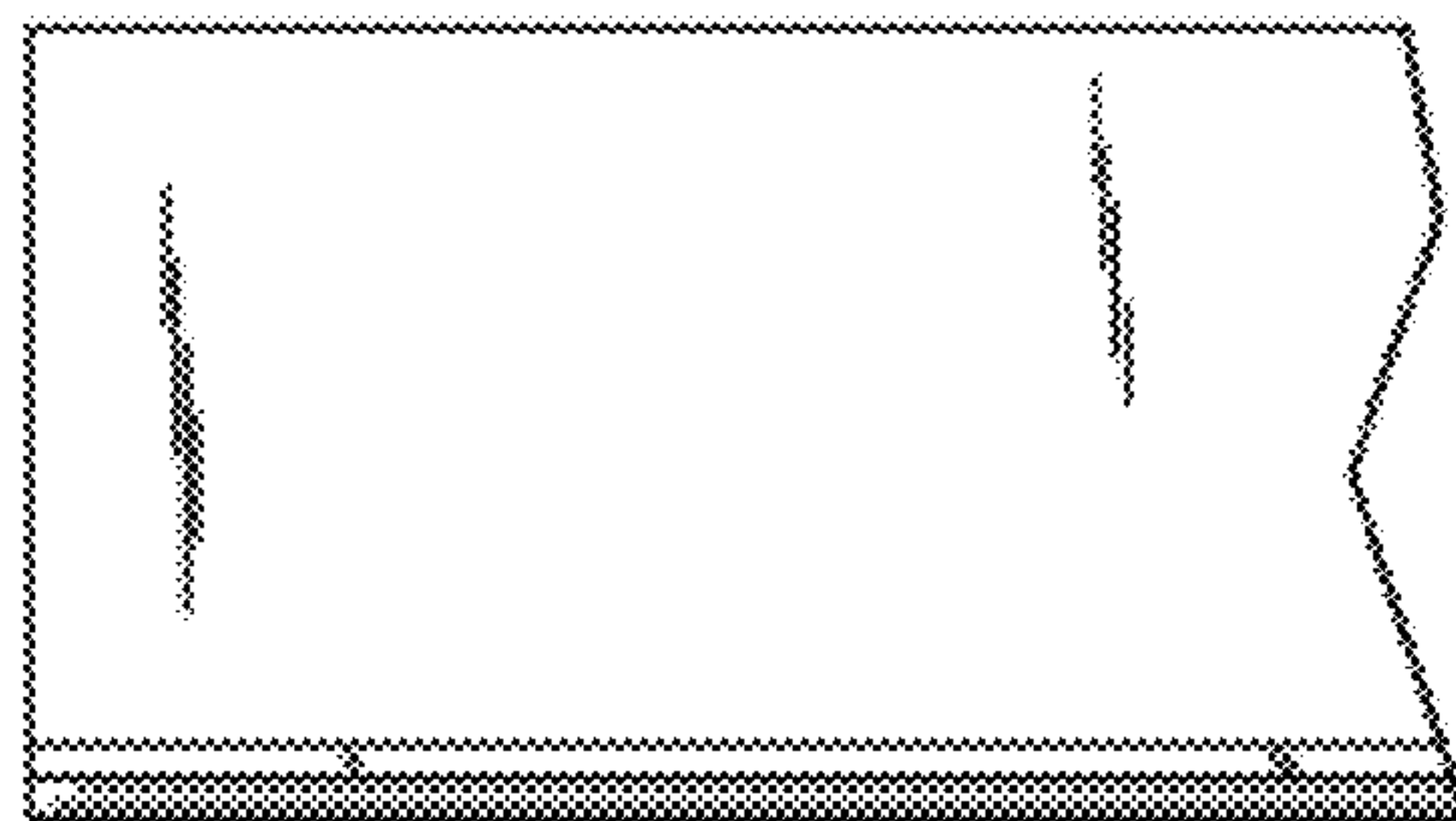


FIG. 3



FIG. 5

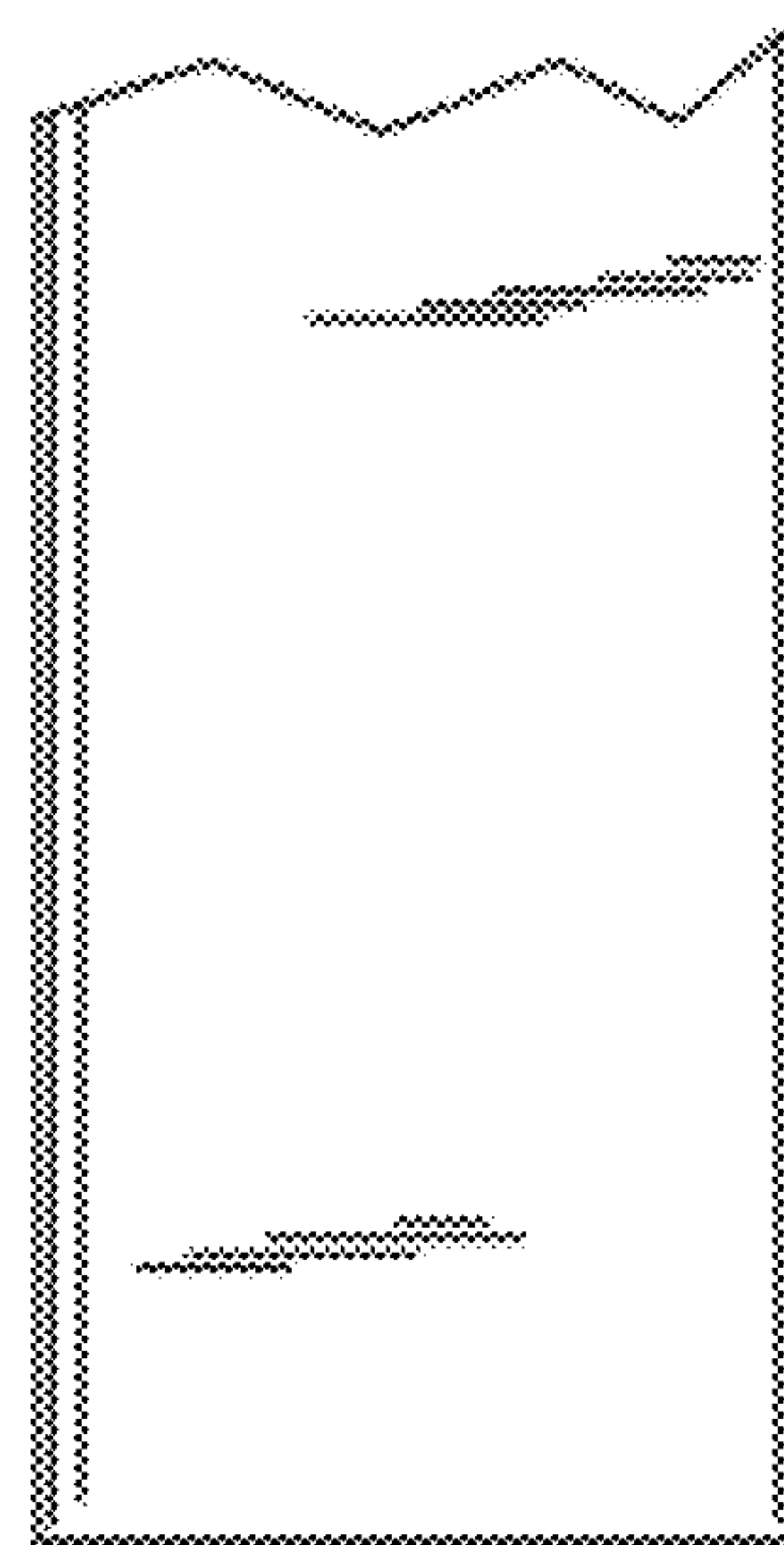


FIG. 6