



US00D668349S

(12) **United States Design Patent**
Sun

(10) **Patent No.:** **US D668,349 S**

(45) **Date of Patent:** **** Oct. 2, 2012**

(54) **CASSETTE STERILIZER**

(75) **Inventor:** **Andy Kwan-Leung Sun**, Toronto (CA)

(73) **Assignee:** **SciCan Ltd.** (CA)

(**) **Term:** **14 Years**

(21) **Appl. No.:** **29/386,256**

(22) **Filed:** **Feb. 25, 2011**

(51) **LOC (9) Cl.** **23-01**

(52) **U.S. Cl.** **D24/217**

(58) **Field of Classification Search** D24/216–226,
D24/227, 229; D31/1; 422/26, 291, 292,
422/295–297, 299

See application file for complete search history.

(56) **References Cited**

U.S. PATENT DOCUMENTS

D598,098 S *	8/2009	Tanaka	D24/138
D598,100 S *	8/2009	Tanaka	D24/138
D603,053 S *	10/2009	Coyle et al.	D24/217
7,641,852 B1 *	1/2010	McPhail et al.	422/26
2009/0311135 A1 *	12/2009	Zwingenberger et al.	422/28

* cited by examiner

Primary Examiner — T. Chase Nelson

Assistant Examiner — Ania Aman

(74) *Attorney, Agent, or Firm* — Lewis, Rice & Fingersh,
L.C.

(57) **CLAIM**

The ornamental design for a cassette sterilizer, as shown and described.

DESCRIPTION

FIG. 1 provides a left perspective view of a first embodiment of cassette sterilizer.

FIG. 2 provides a right perspective view of a first embodiment of cassette sterilizer.

FIG. 3 provides a front elevational view of a first embodiment of cassette sterilizer.

FIG. 4 provides a left elevational view of a first embodiment of cassette sterilizer.

FIG. 5 Provides a top plan view of a first embodiment of cassette sterilizer.

FIG. 6 provides a left perspective view of a second embodiment of cassette sterilizer.

FIG. 7 provides a right perspective view of a second embodiment of cassette sterilizer.

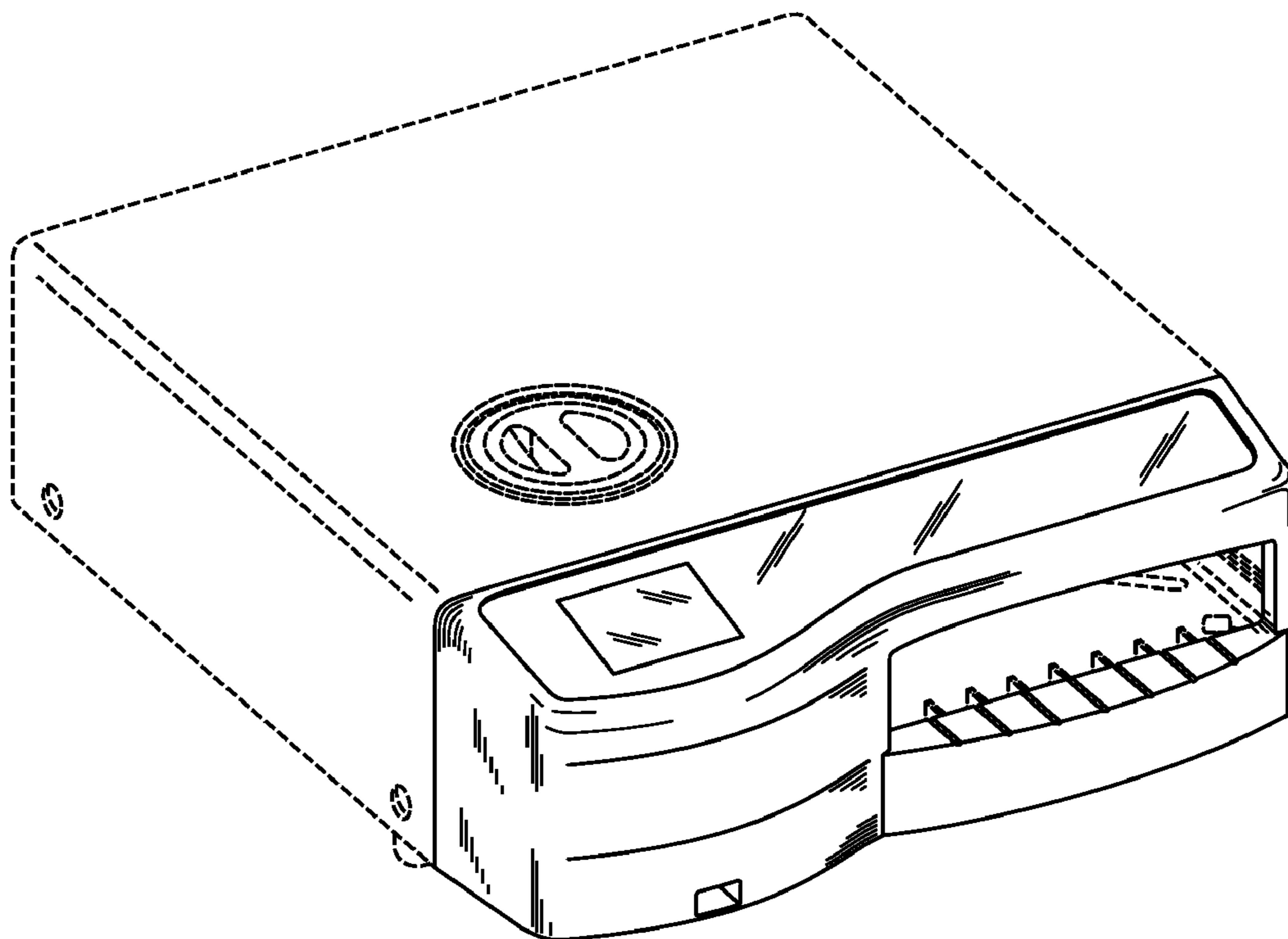
FIG. 8 provides a front elevational view of a second embodiment of cassette sterilizer;

FIG. 9 provides a left elevational view of a first embodiment of cassette sterilizer; and,

FIG. 10 Provides a top plan view of a second embodiment of cassette sterilizer.

The broken lines showing the body of the cassette sterilizer are for illustrative purposes only and form no part of the invention.

1 Claim, 7 Drawing Sheets



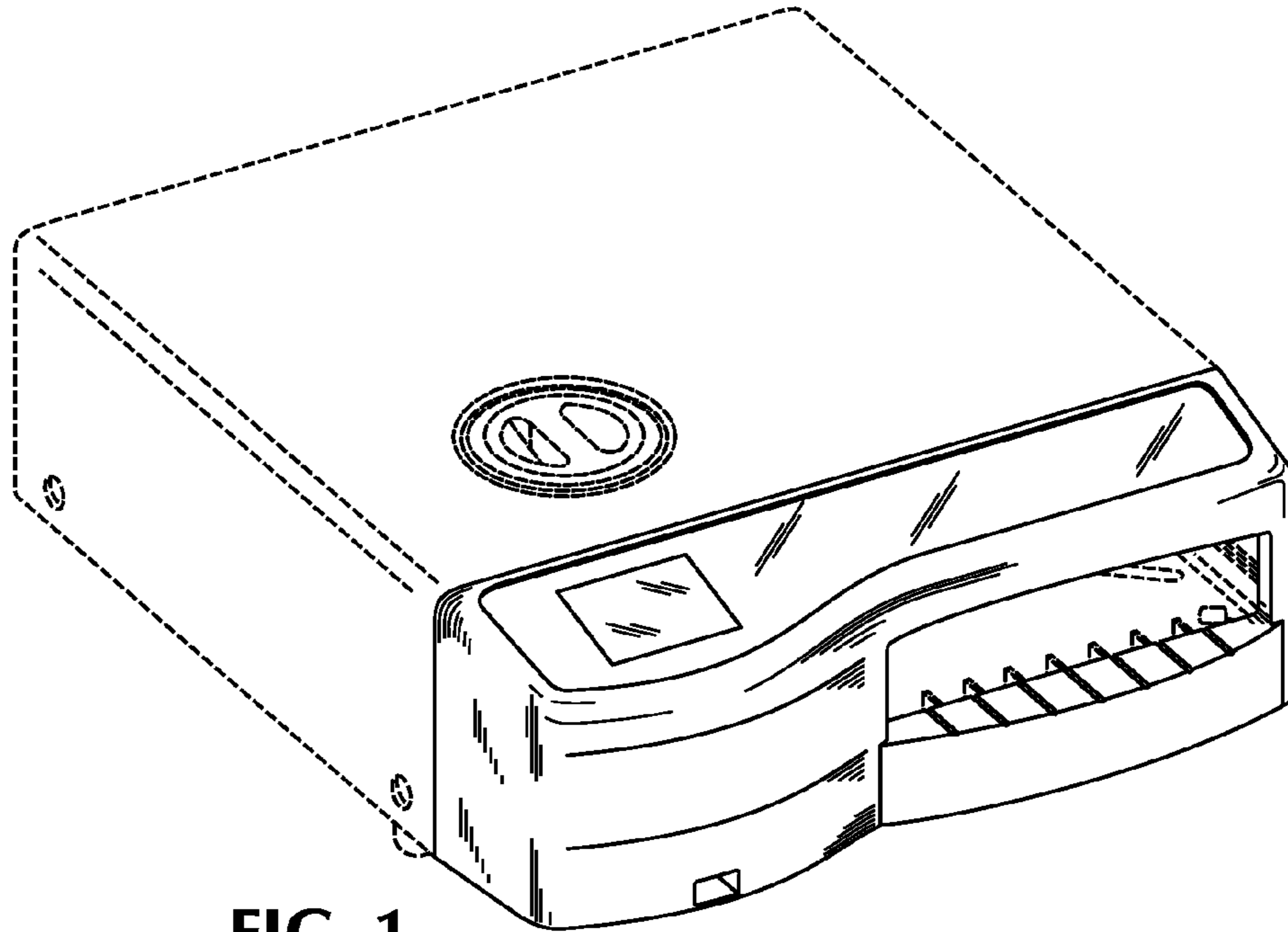


FIG. 1

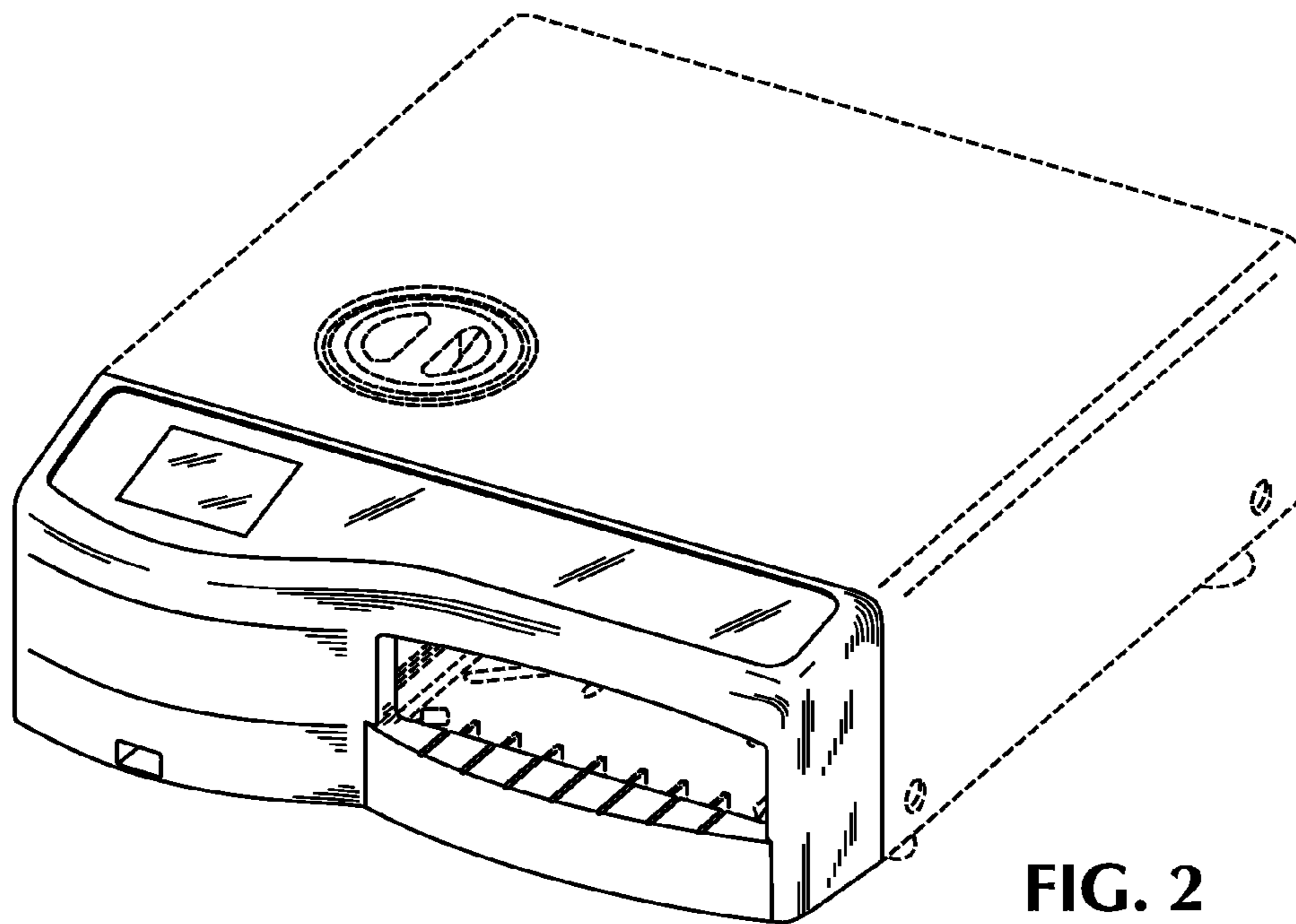


FIG. 2

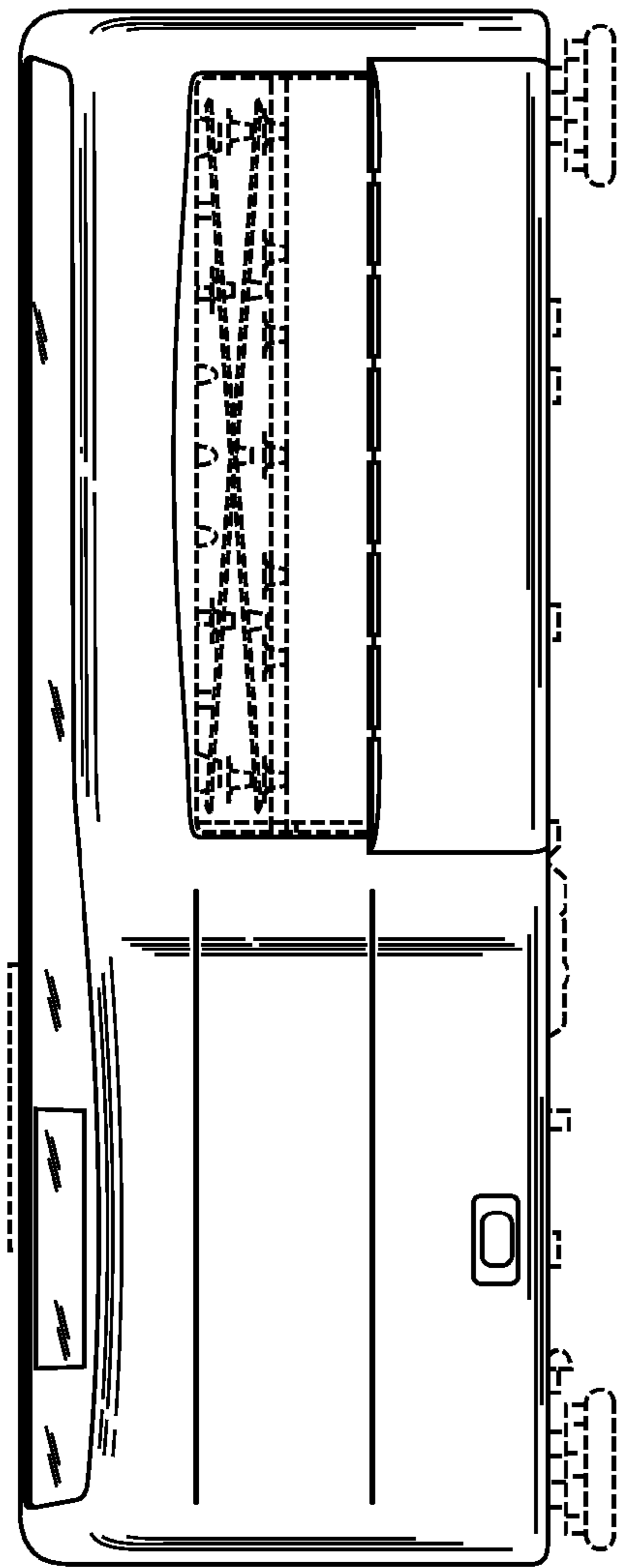


FIG. 3

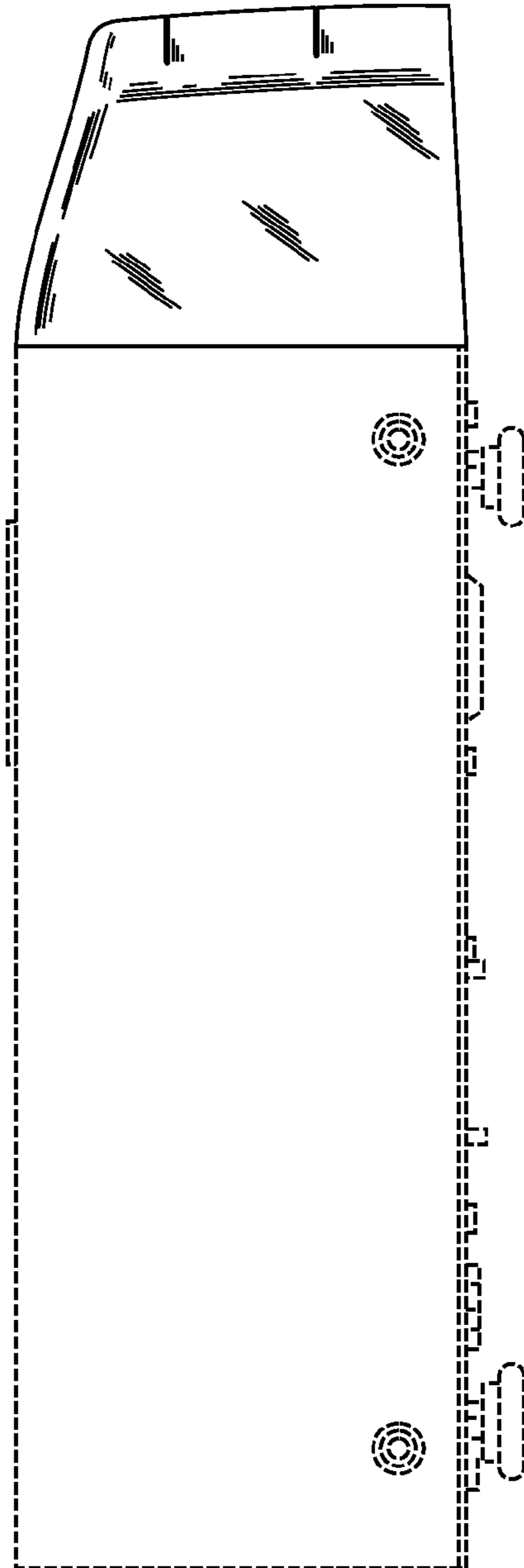


FIG. 4

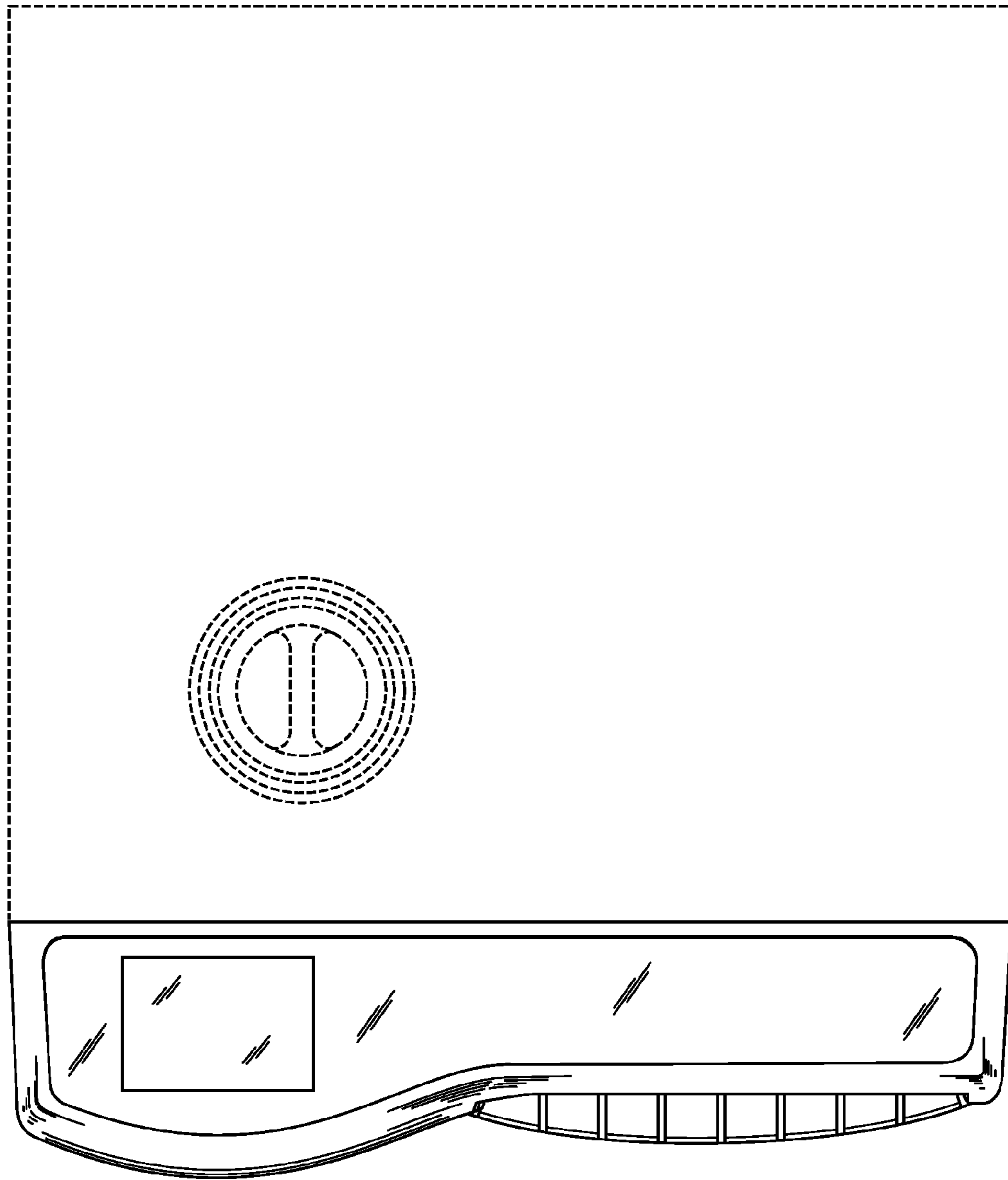


FIG. 5

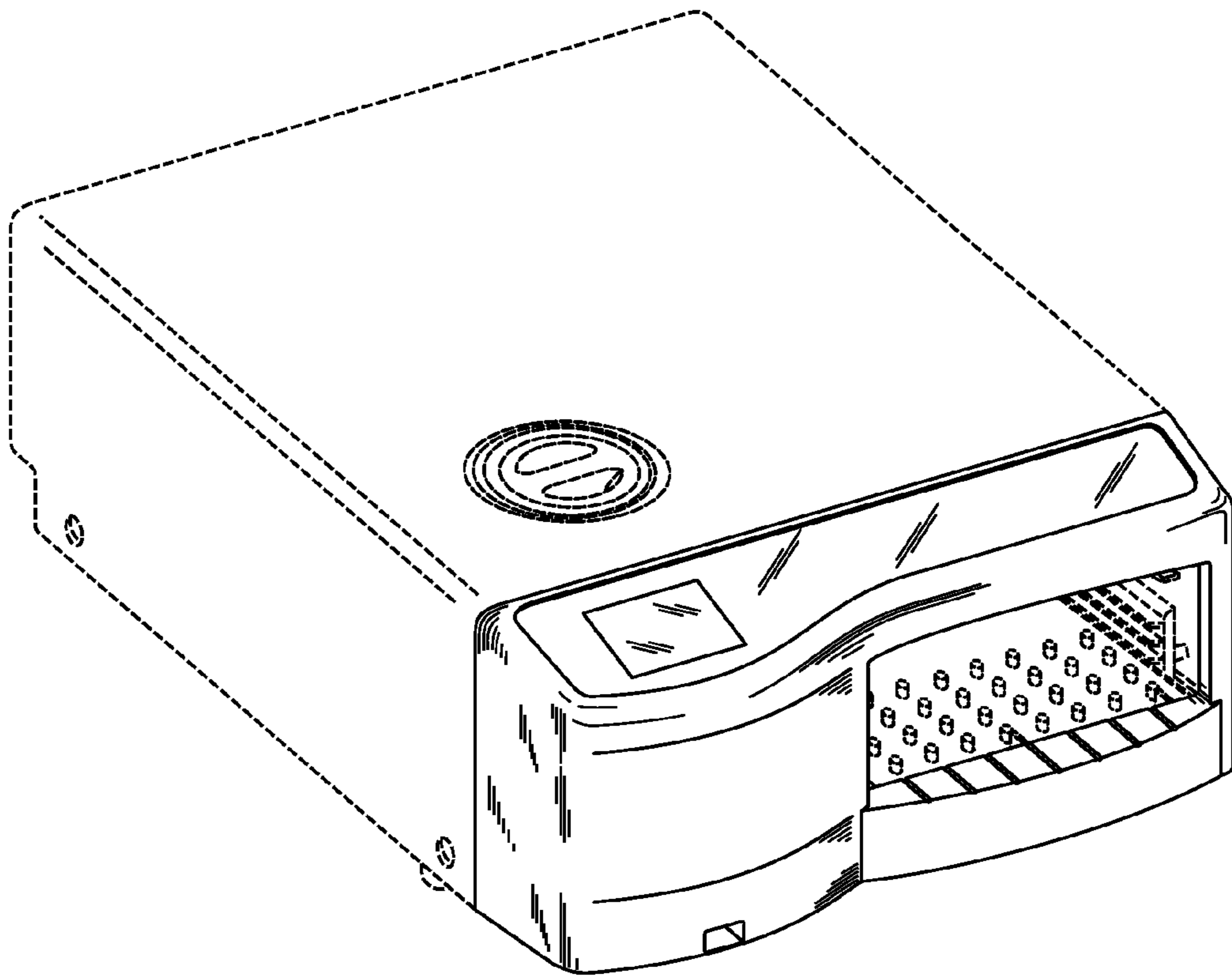


FIG. 6

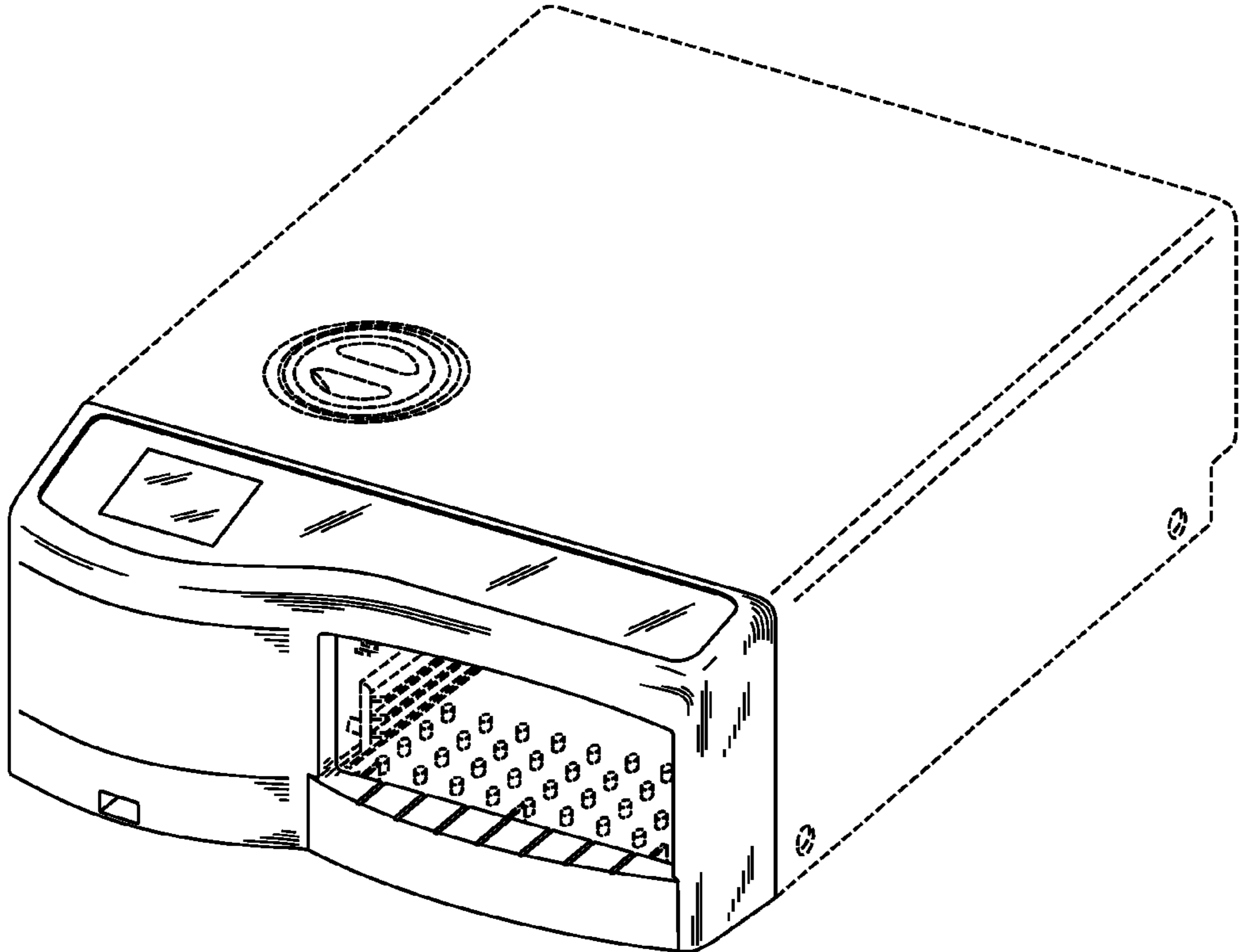
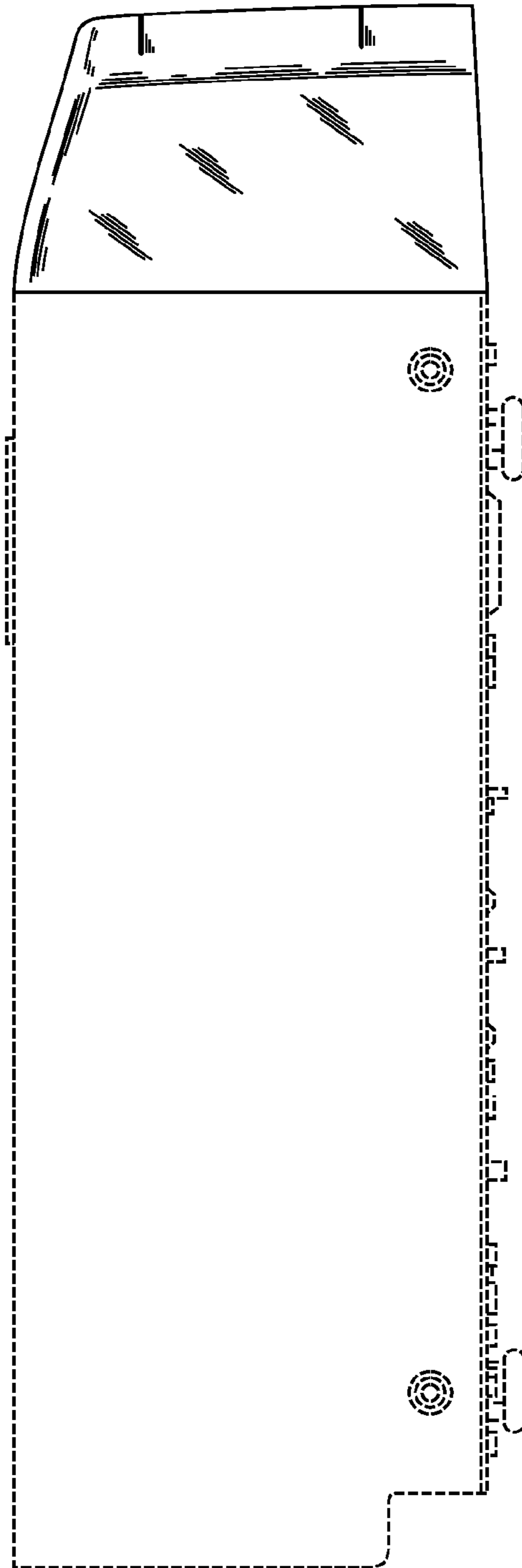
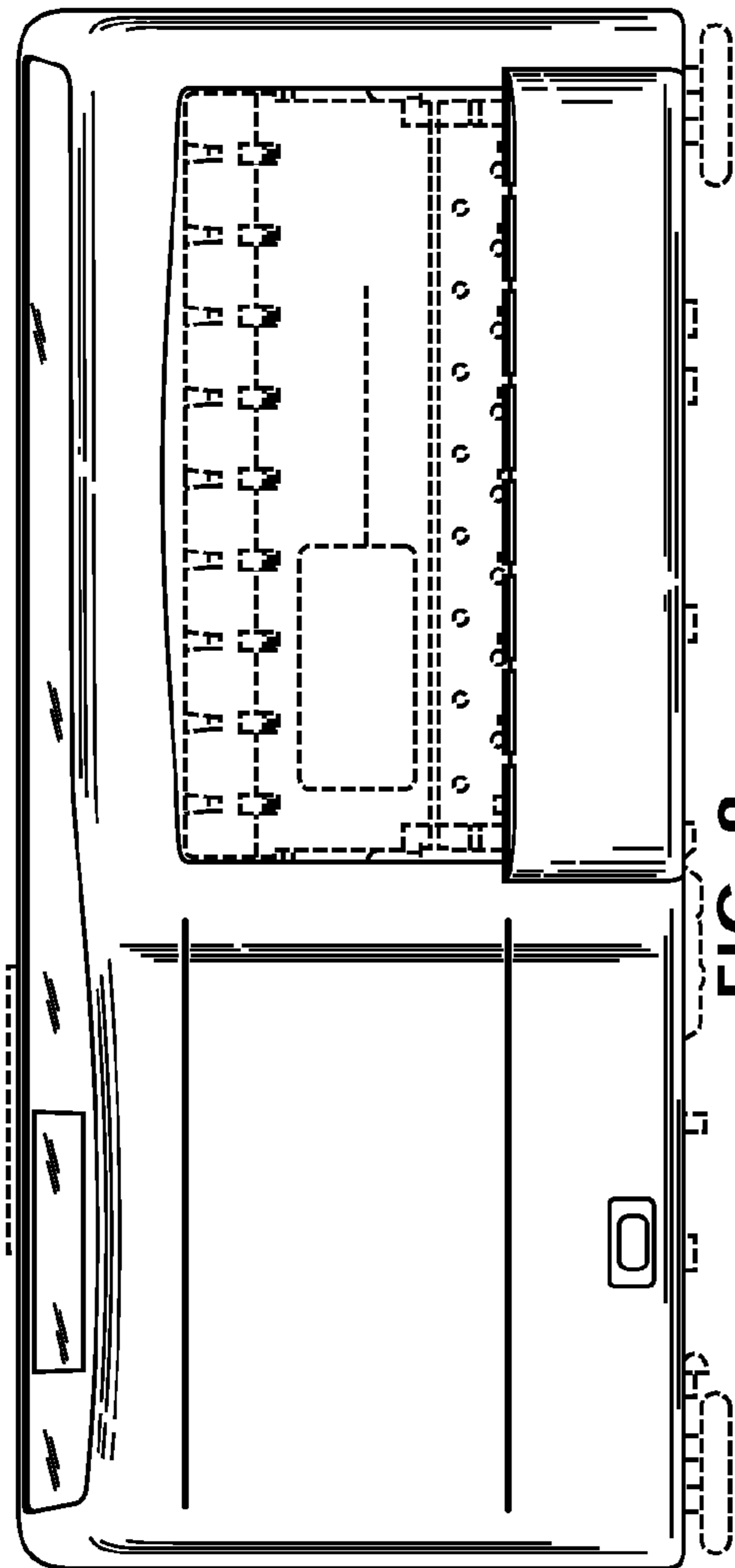


FIG. 7



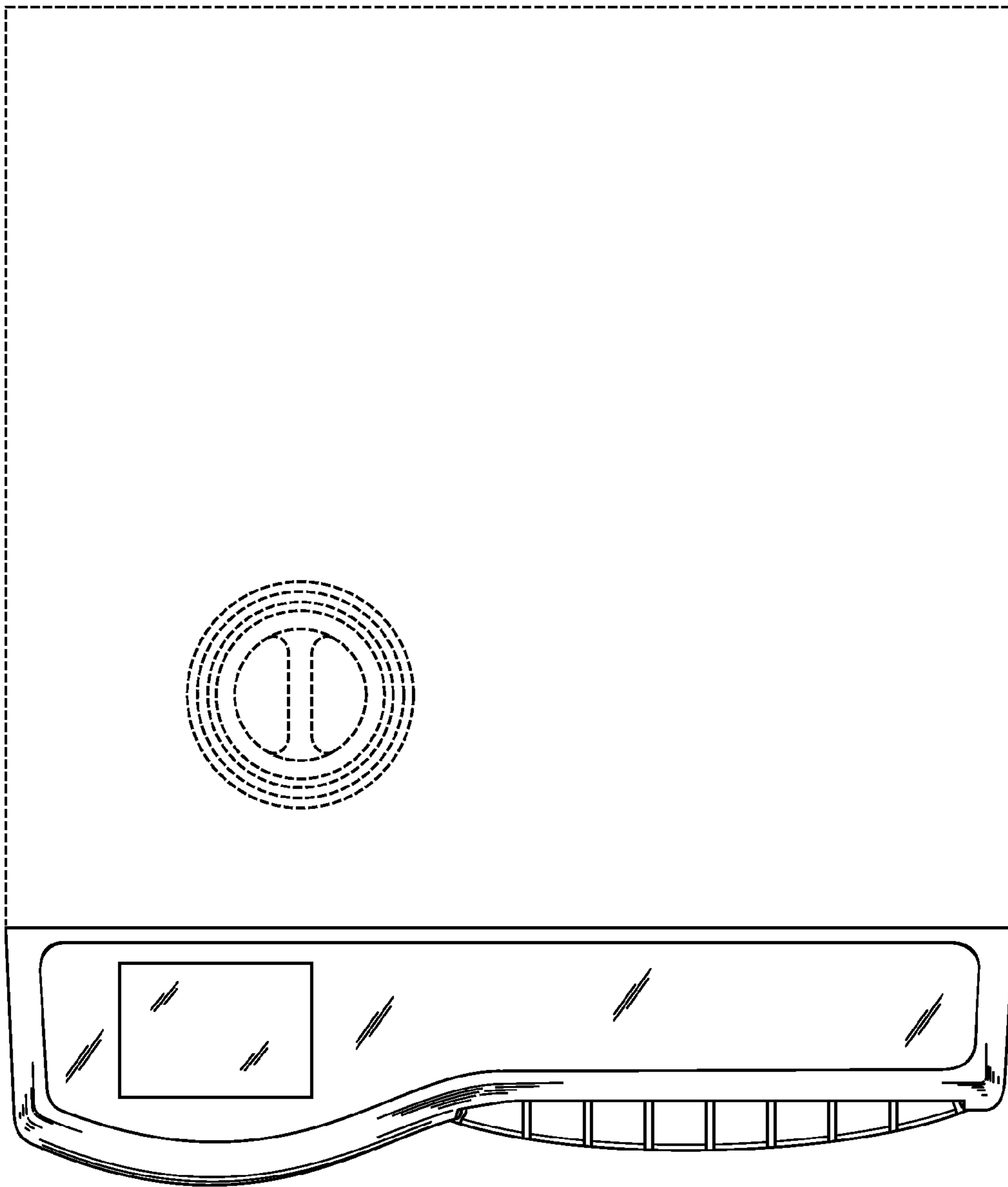


FIG. 10