

US00D668348S

(12) **United States Design Patent**  
**Murphy et al.**

(10) **Patent No.:** **US D668,348 S**

(45) **Date of Patent:** **\*\* Oct. 2, 2012**

(54) **CLEANING ASSEMBLY**

(75) Inventors: **Brian Murphy**, Baltimore, MD (US);  
**Alex Flamm**, Baltimore, MD (US); **Eric Schneider**, Catonsville, MD (US)

(73) Assignee: **Canon U.S. Life Sciences, Inc.**,  
Rockville, MD (US)

(\*\*) Term: **14 Years**

(21) Appl. No.: **29/385,968**

(22) Filed: **Feb. 23, 2011**

(51) **LOC (9) Cl.** ..... **24-01**

(52) **U.S. Cl.** ..... **D24/217**

(58) **Field of Classification Search** ..... D24/216,  
D24/217, 218, 224-232, 186; D32/1, 25;  
422/26, 297, 300, 301, 302; 206/363, 366,  
206/370, 438, 443

See application file for complete search history.

(56) **References Cited**

**U.S. PATENT DOCUMENTS**

D217,736 S \* 6/1970 Marsee ..... D24/217  
D256,615 S \* 8/1980 Thomas ..... D24/218  
D373,198 S \* 8/1996 Hill et al. .... D24/230

D437,060 S \* 1/2001 Mayer ..... D24/217  
D458,383 S \* 6/2002 High et al. .... D24/227  
D593,207 S \* 5/2009 Ayliffe ..... D24/229  
D610,265 S \* 2/2010 Lea ..... D24/227  
D624,658 S \* 9/2010 Van Dalen et al. .... D24/217

\* cited by examiner

*Primary Examiner* — Anhdao Doan

(74) *Attorney, Agent, or Firm* — Rothwell, Figg, Ernst &  
Manbeck, P.C.

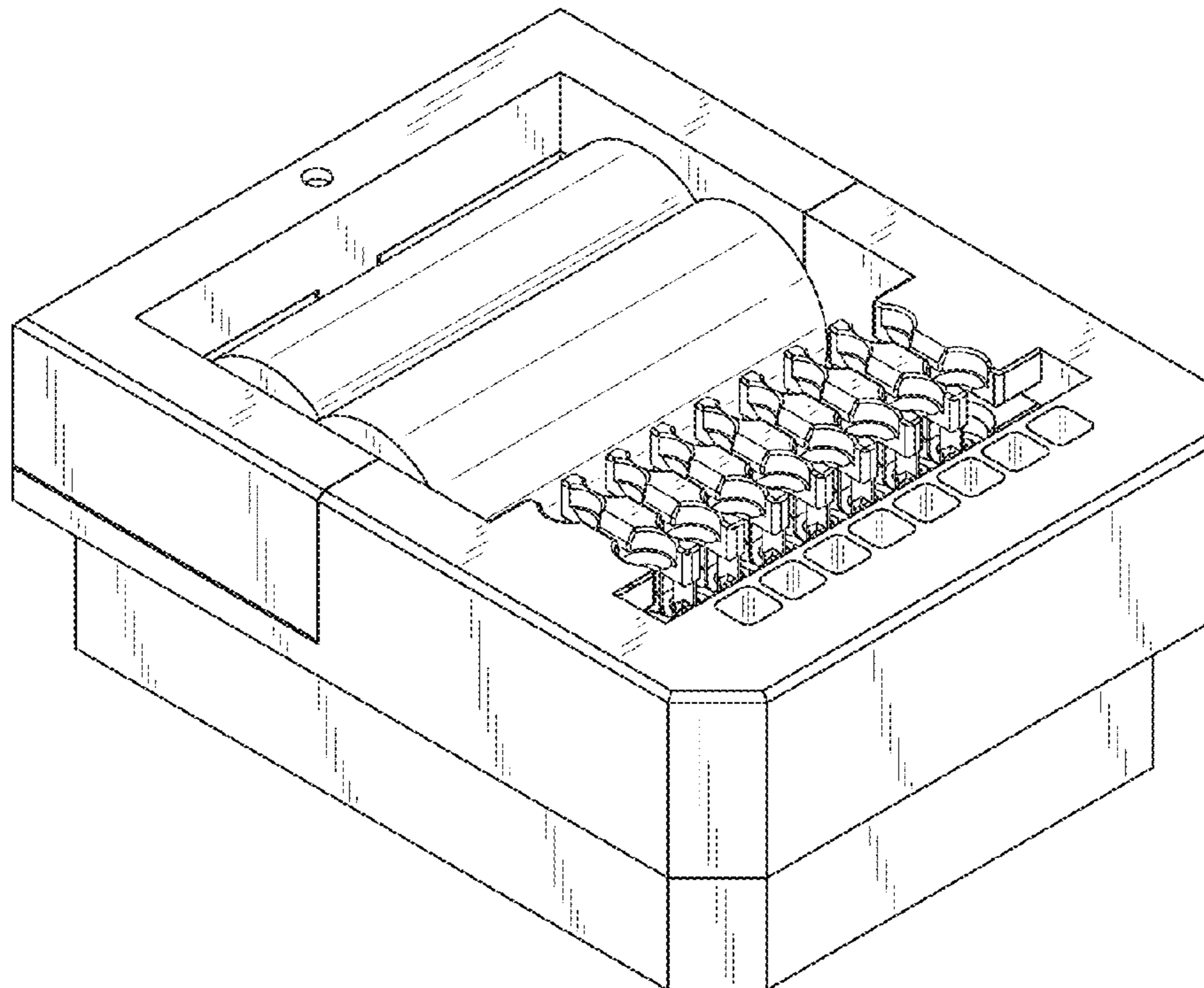
(57) **CLAIM**

The ornamental design for a cleaning assembly, as shown and described.

**DESCRIPTION**

FIG. 1 is a top, front and left side perspective view of a cleaning assembly;  
FIG. 2 is a left side view of the cleaning assembly, which is a mirror image of the right side view of the cleaning assembly;  
FIG. 3 is a front view of the cleaning assembly;  
FIG. 4 is a rear view of the cleaning assembly;  
FIG. 5 is a top view of the cleaning assembly; and,  
FIG. 6 is a bottom view of the cleaning assembly.  
The portions of the cleaning assembly shown in broken lines form no part of the claimed design.

**1 Claim, 6 Drawing Sheets**



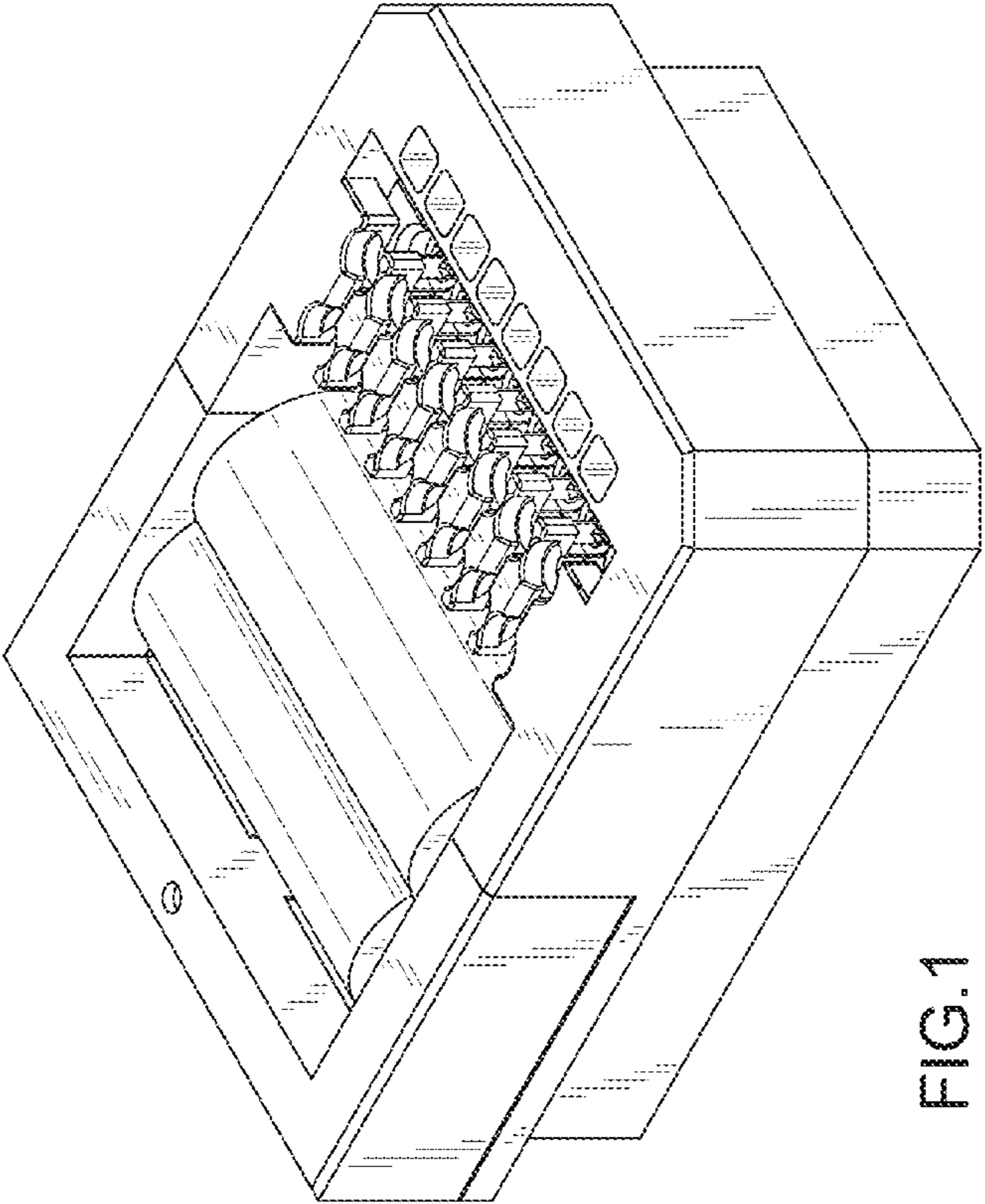


FIG. 1

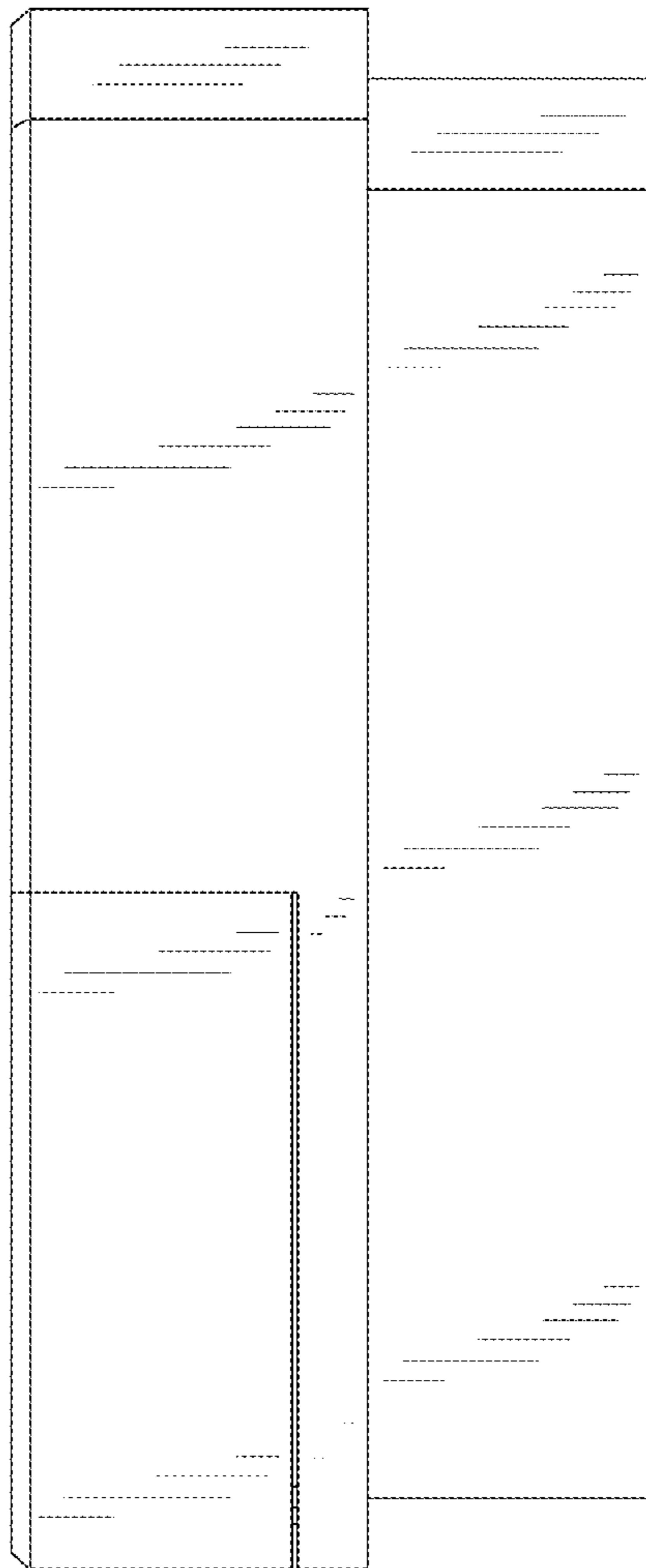


FIG.2

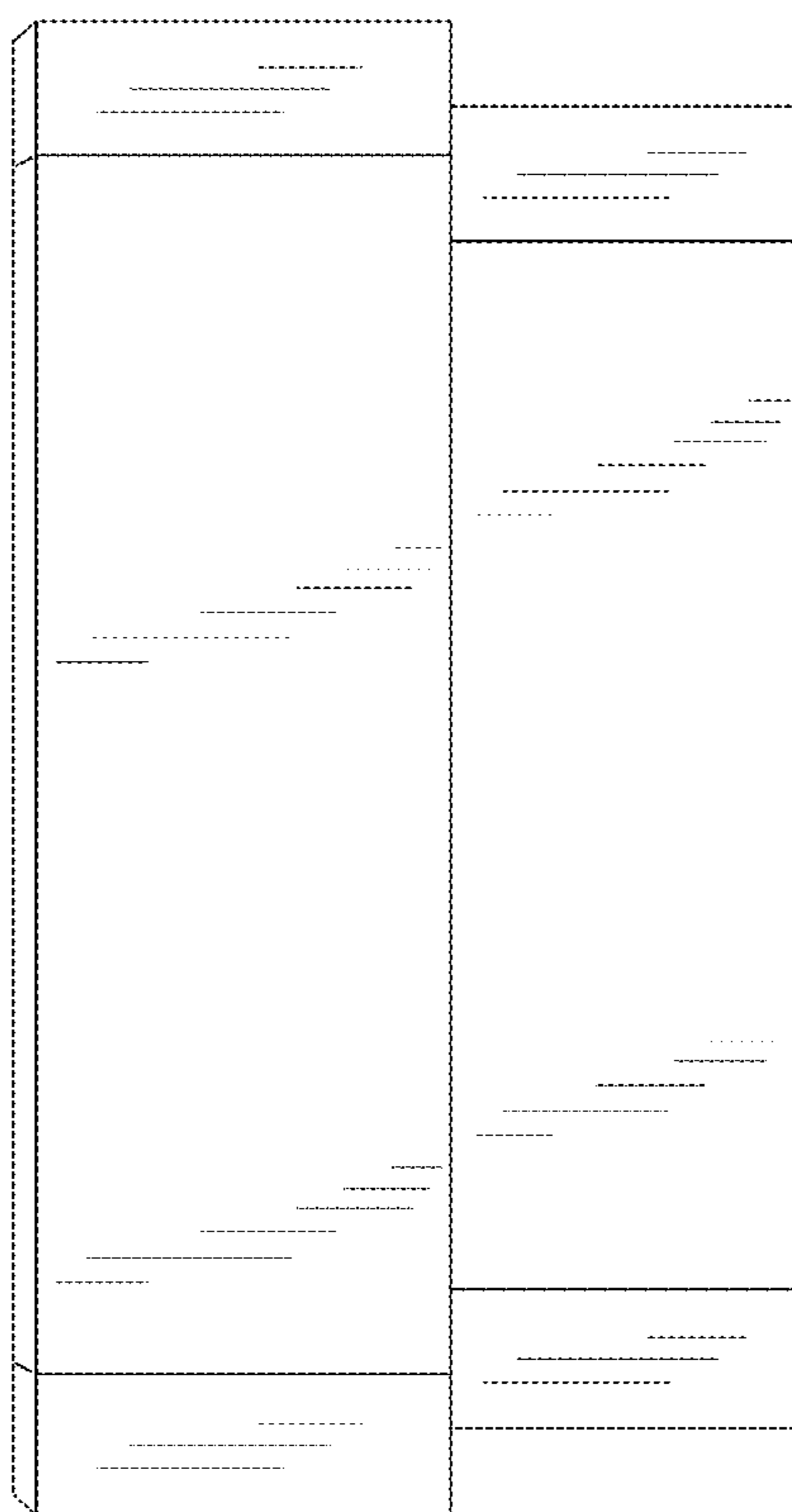


FIG.3

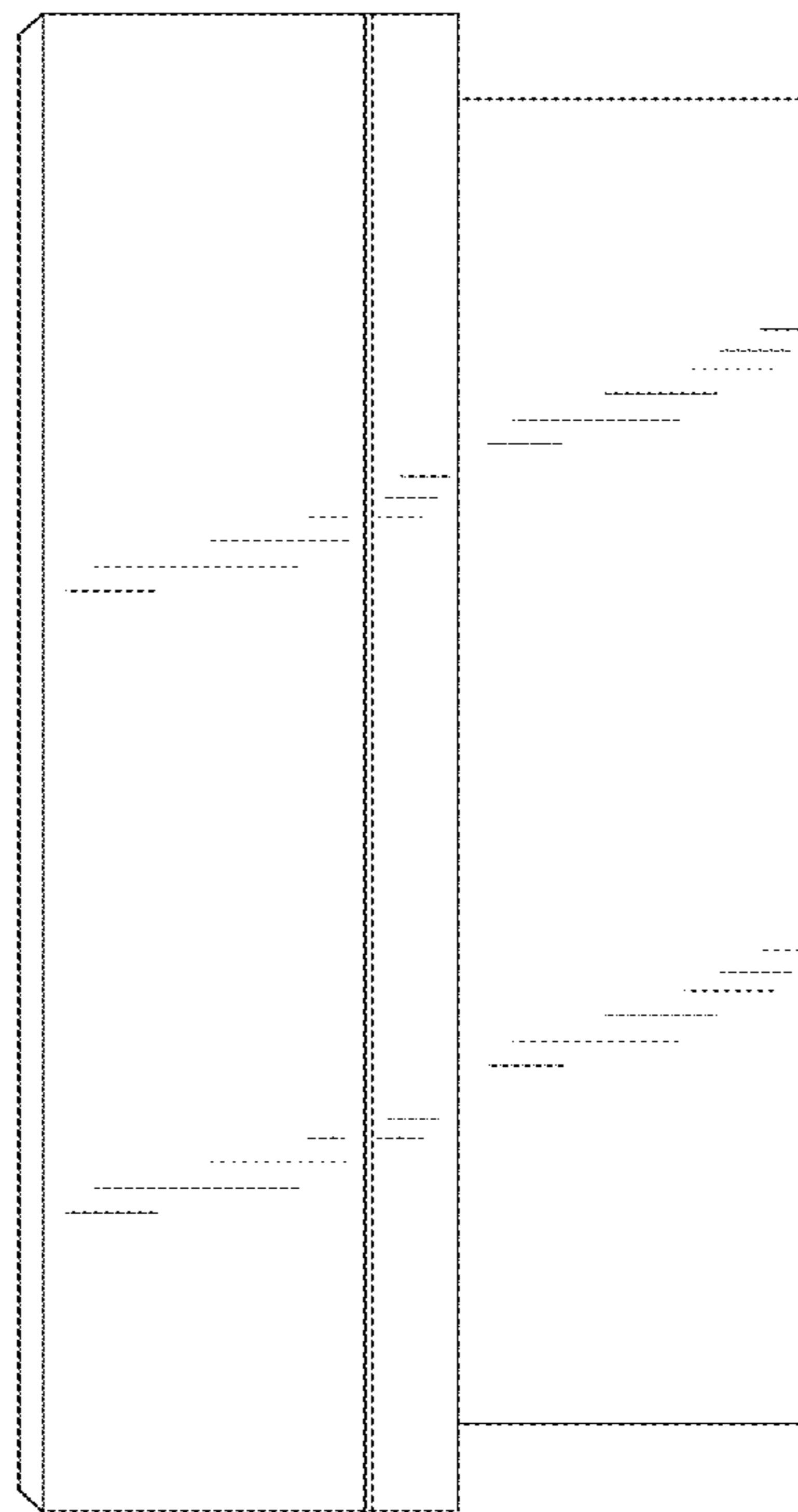


FIG.4

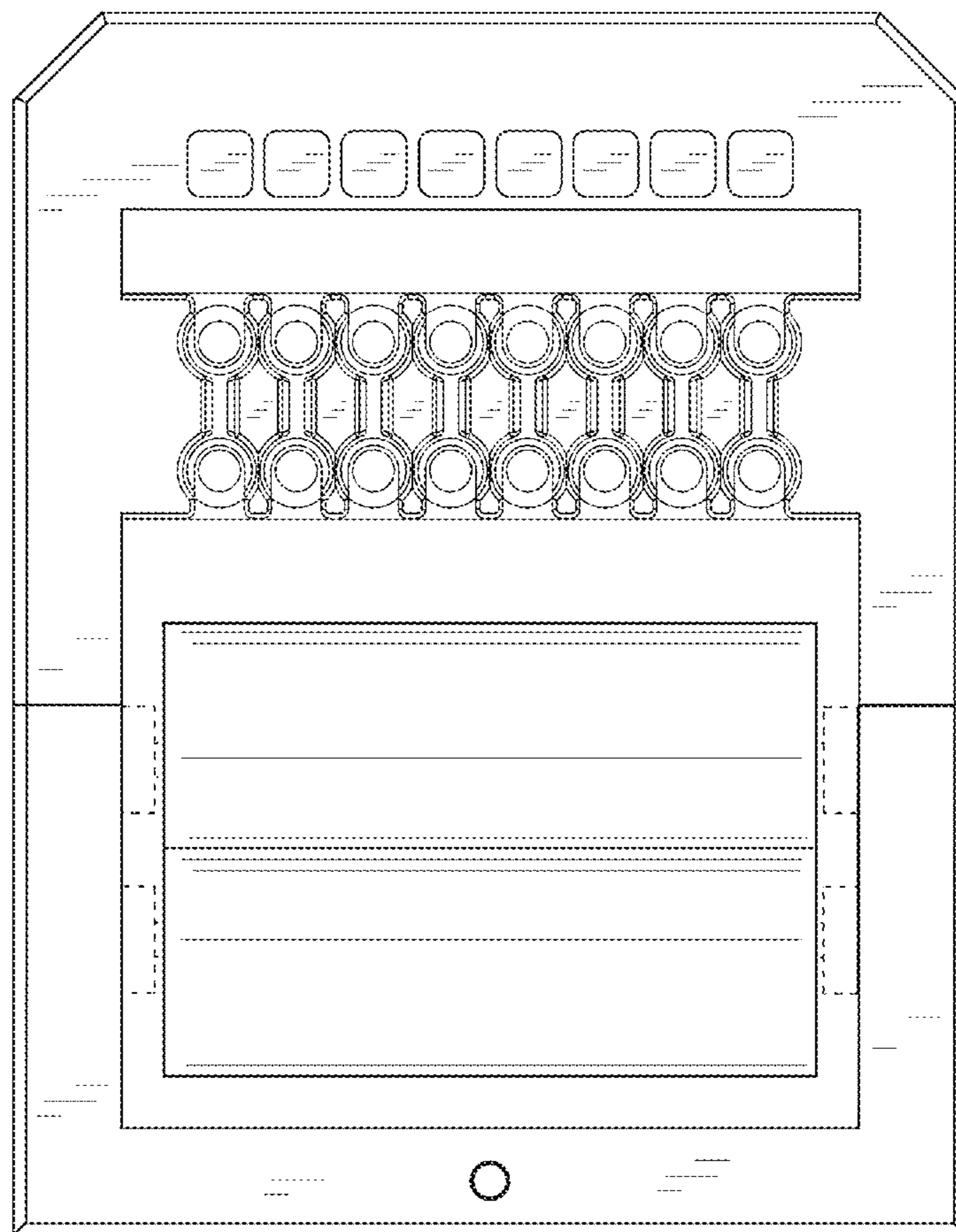


FIG. 5

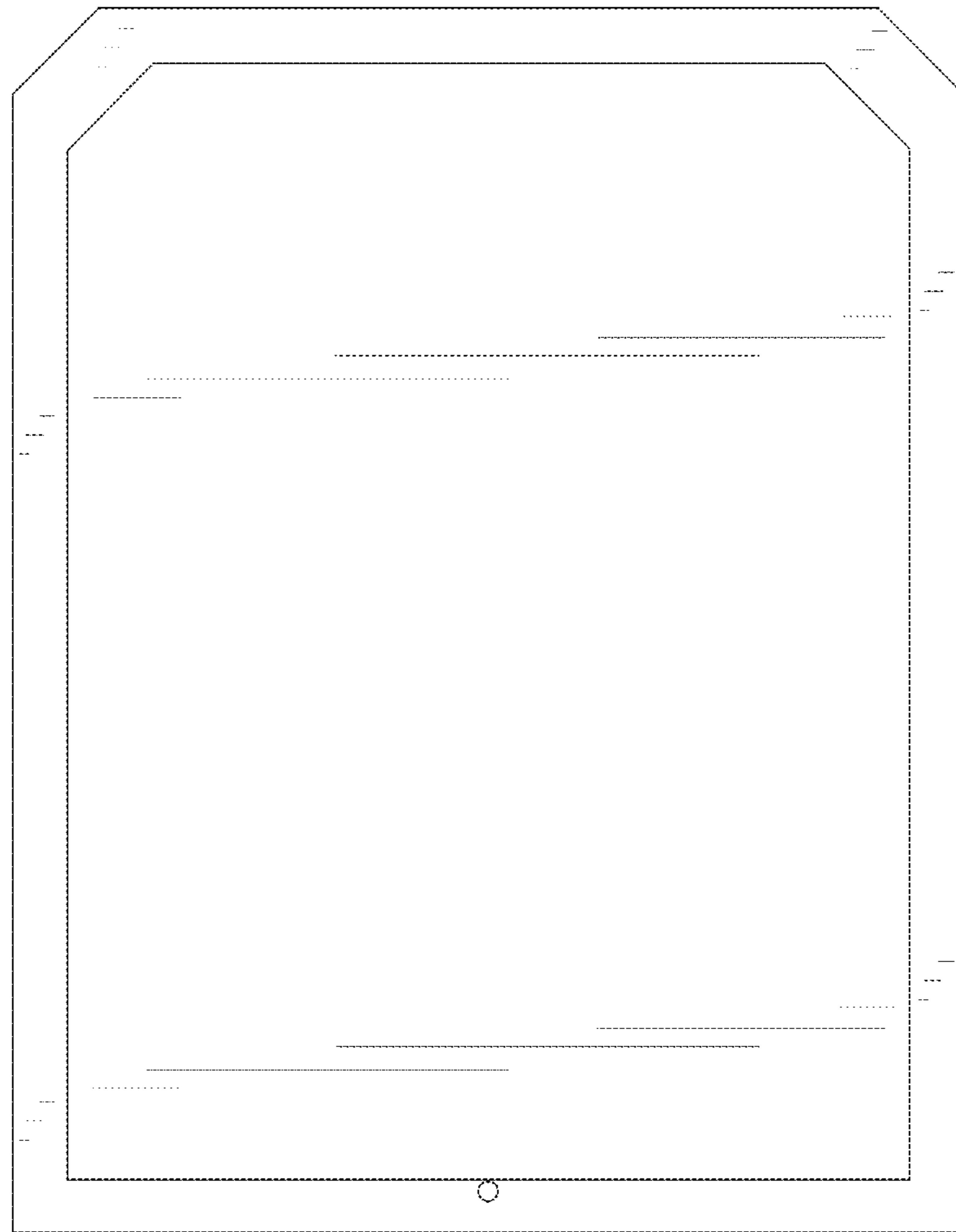


FIG. 6