



US00D668347S

(12) **United States Design Patent**  
**Hoelbl**

(10) **Patent No.:** **US D668,347 S**

(45) **Date of Patent:** **\*\* Oct. 2, 2012**

(54) **MICROTOME**

(75) **Inventor:** **Werner Hoelbl, Vienna (AT)**

(73) **Assignee:** **Leica Biosystems Nussloch GmbH,**  
**Nussloch (DE)**

(\*\*) **Term:** **14 Years**

(21) **Appl. No.:** **29/392,247**

(22) **Filed:** **May 19, 2011**

(30) **Foreign Application Priority Data**

Dec. 2, 2010 (EM) ..... 001788688-0001

(51) **LOC (9) Cl.** ..... **24-01**

(52) **U.S. Cl.** ..... **D24/216**

(58) **Field of Classification Search** ..... D24/216,  
D24/217, 219, 231, 232, 107, 186; D10/81;  
83/713, 714, 718, 414, 915.5

See application file for complete search history.

(56) **References Cited**

**U.S. PATENT DOCUMENTS**

D96,231 S \* 7/1935 Fassin ..... D24/216  
2,155,523 A \* 4/1939 Bausch et al. .... 83/416  
2,662,445 A \* 12/1953 Jacoby, Jr. .... 83/915.5  
4,485,706 A \* 12/1984 Disharoon ..... D24/216

D325,091 S \* 3/1992 Hoelbl ..... D24/232  
D326,921 S \* 6/1992 Hoelbl ..... D24/216  
D358,895 S \* 5/1995 Hoelbl ..... D24/216  
D383,548 S \* 9/1997 Hoelbl ..... D24/216  
2004/0261597 A1 \* 12/2004 Thiem et al. .... 83/703  
2007/0227330 A1 \* 10/2007 Kunkel et al. .... 83/713

\* cited by examiner

*Primary Examiner* — Anhdao Doan

(74) *Attorney, Agent, or Firm* — Crowell & Moring LLP

(57) **CLAIM**

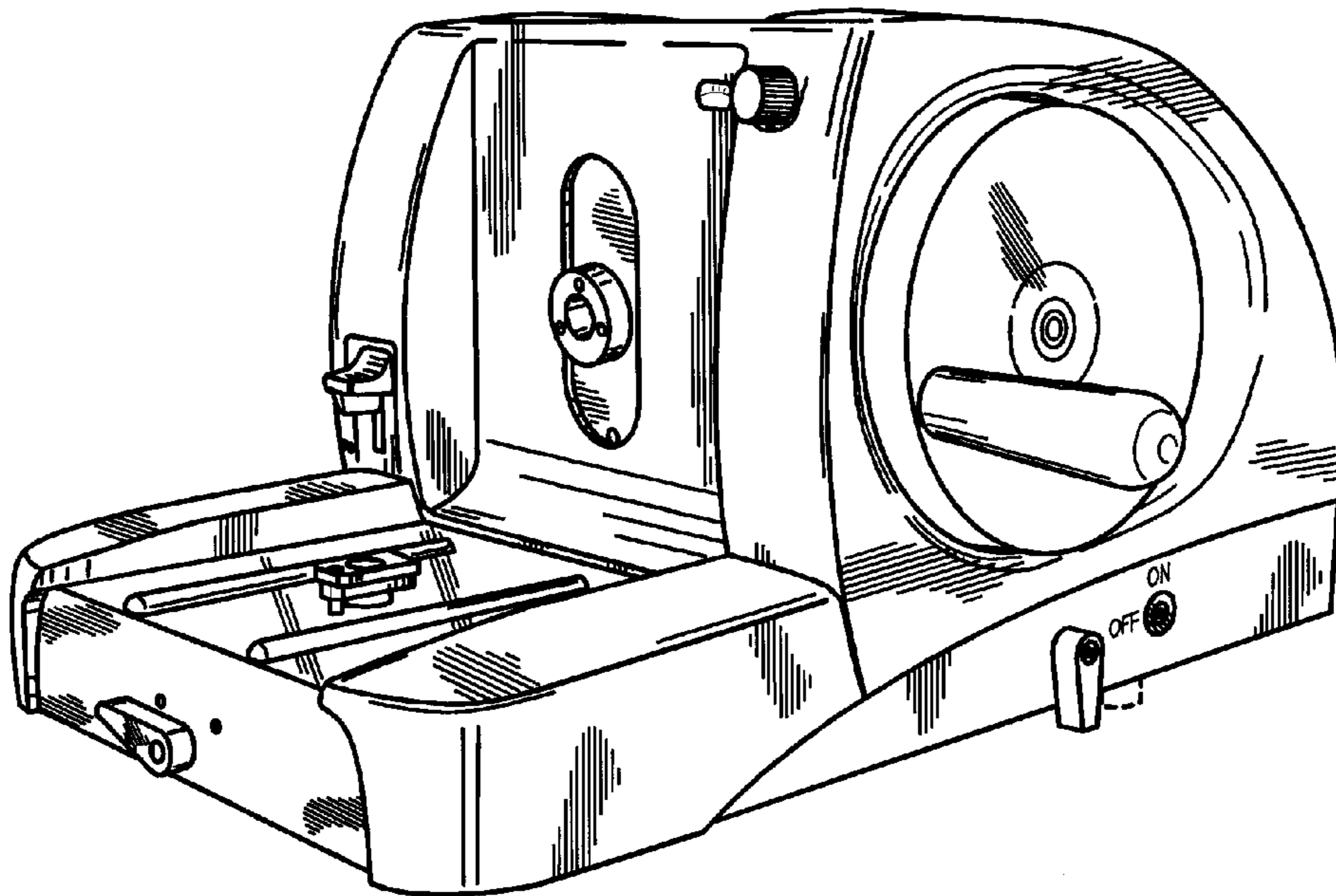
The ornamental design for a microtome, as shown and described.

**DESCRIPTION**

FIG. 1 is a front view of a microtome according to my design;  
FIG. 2 is a left side view thereof;  
FIG. 3 is a right side view thereof;  
FIG. 4 is a top view thereof;  
FIG. 5 is a rear view thereof;  
FIG. 6 is a left, front perspective view thereof;  
FIG. 7 is a right, front perspective view thereof; and,  
FIG. 8 is a top perspective view thereof.

The broken lines in the drawing views are included for the purpose of illustrating portions of the microtome that form no part of the claimed design.

**1 Claim, 8 Drawing Sheets**



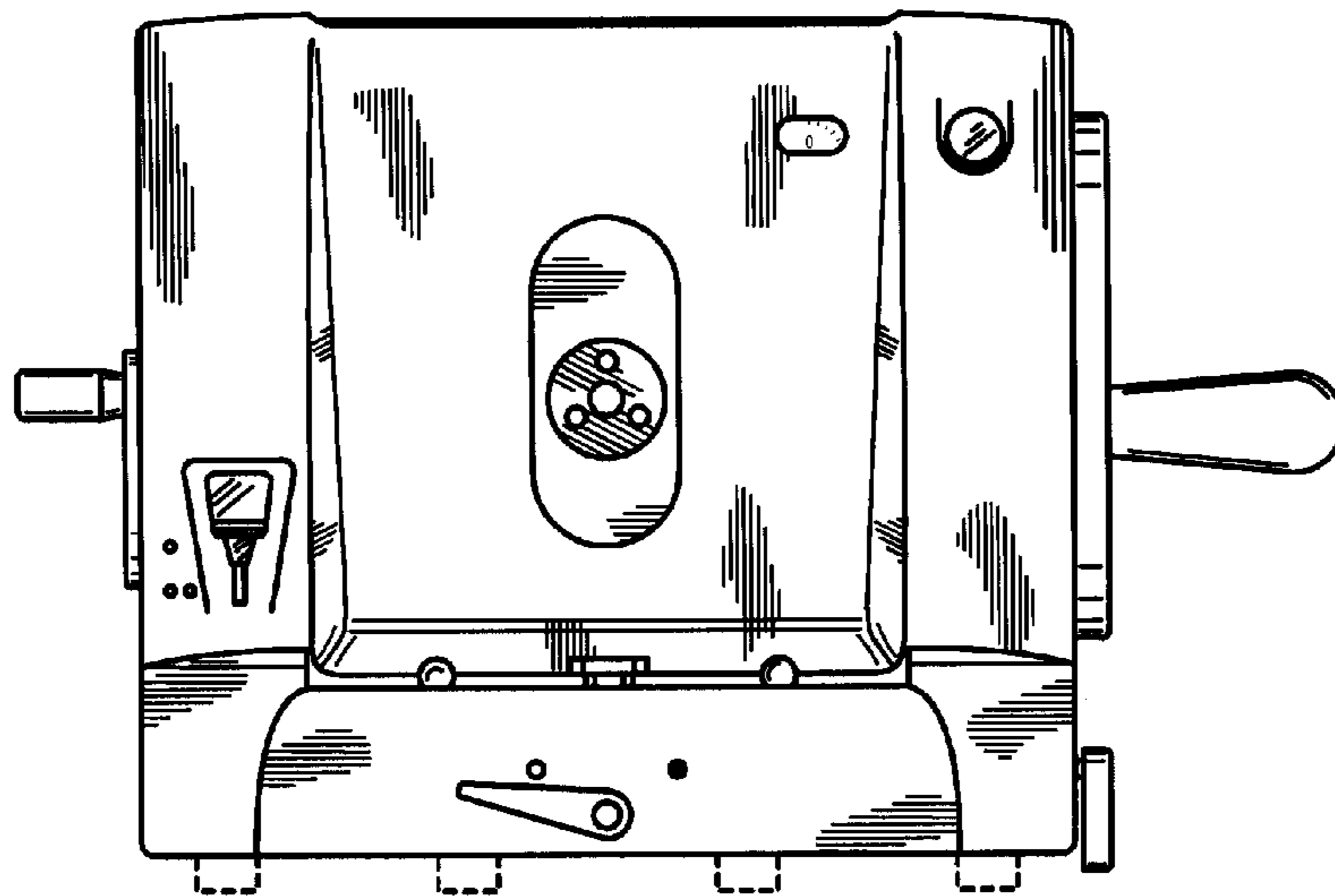


FIG. 1

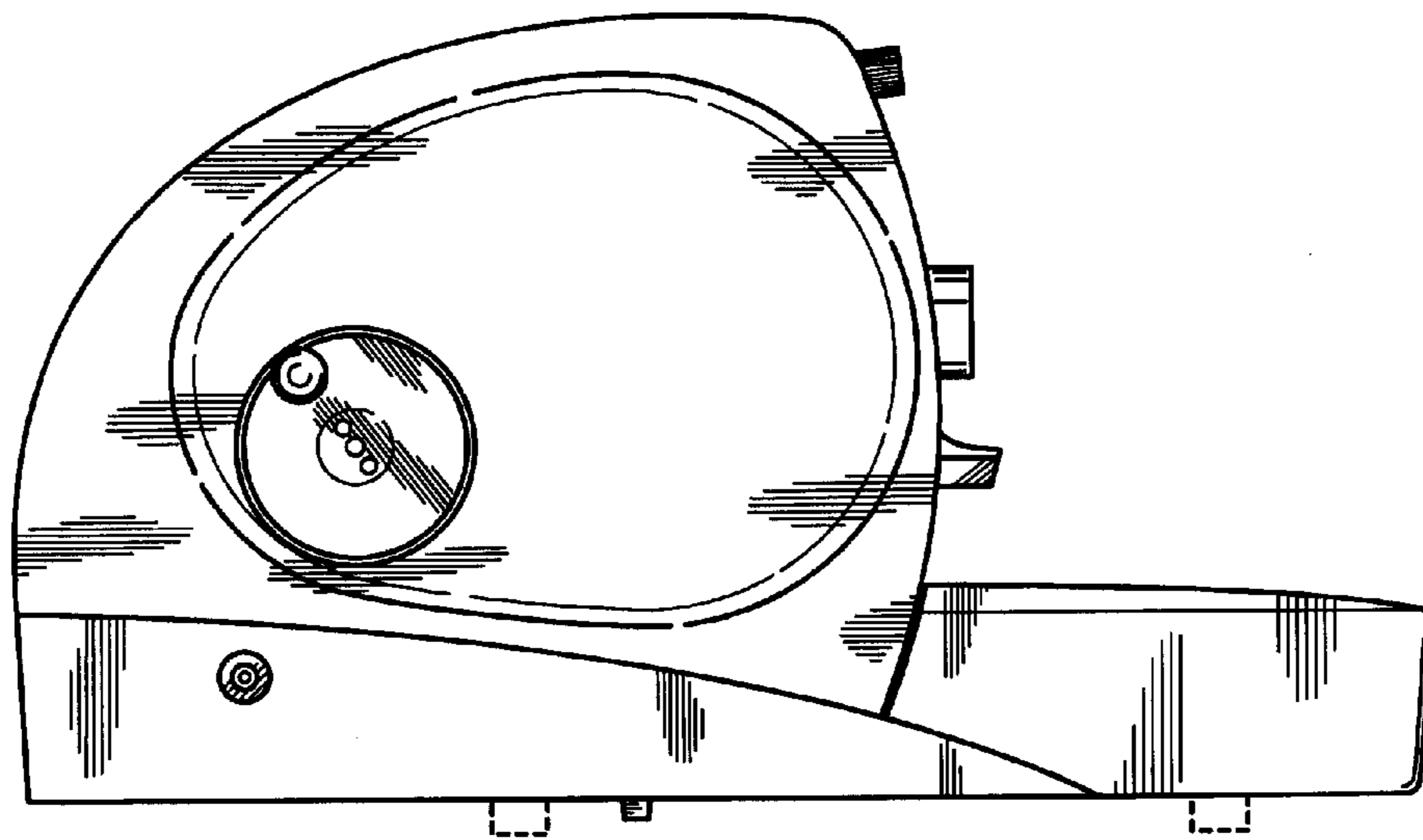


FIG. 2

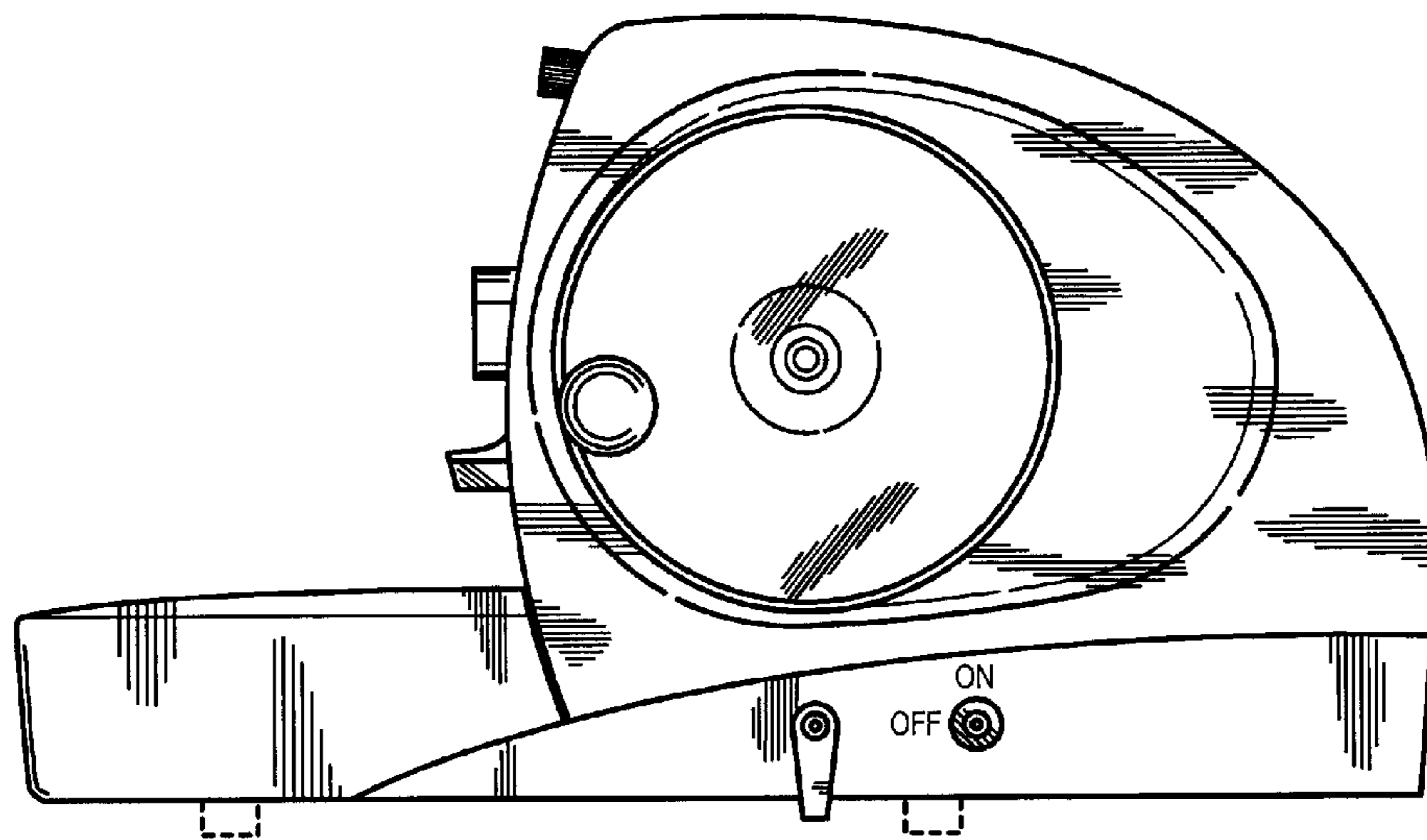


FIG. 3

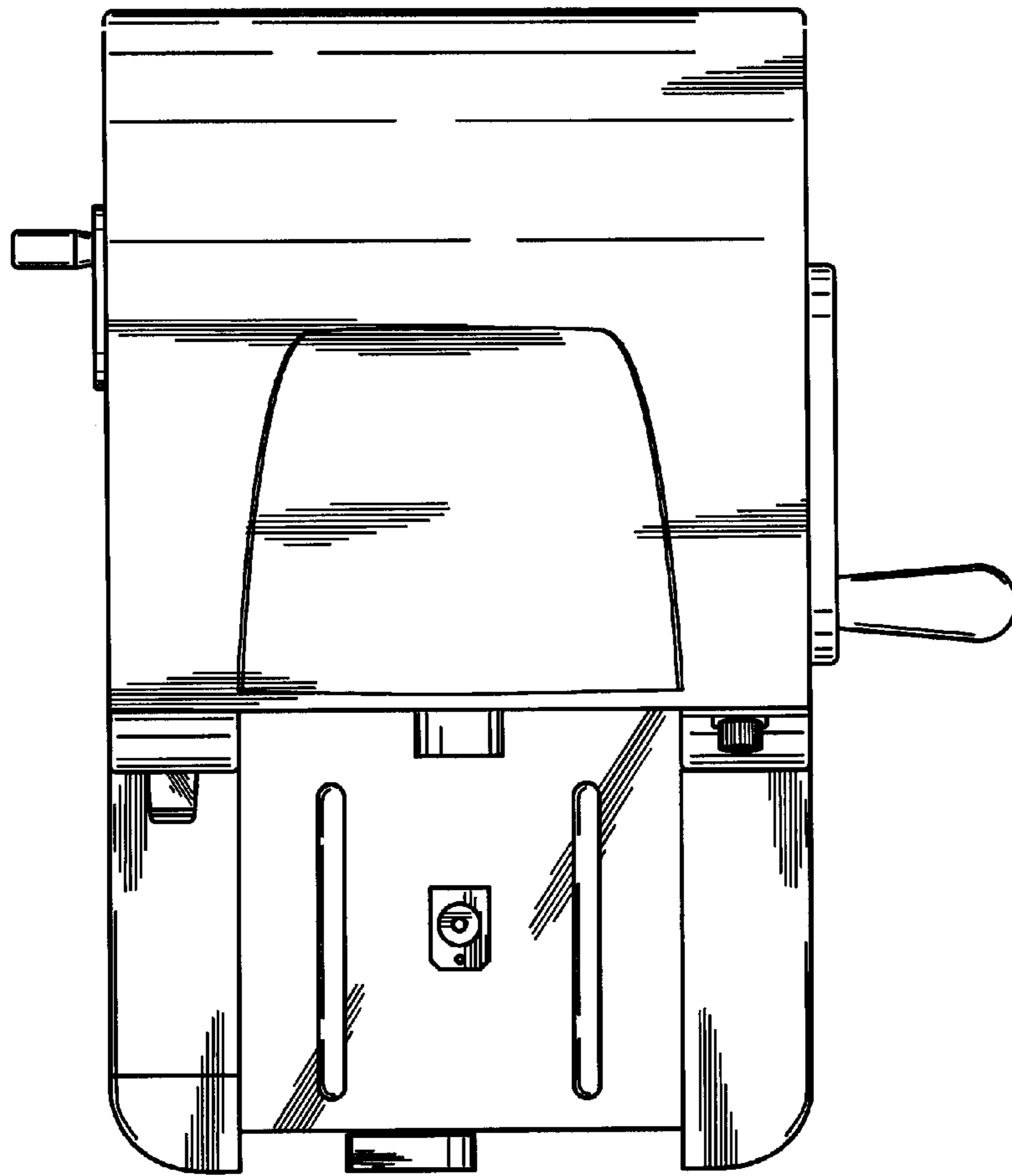


FIG. 4

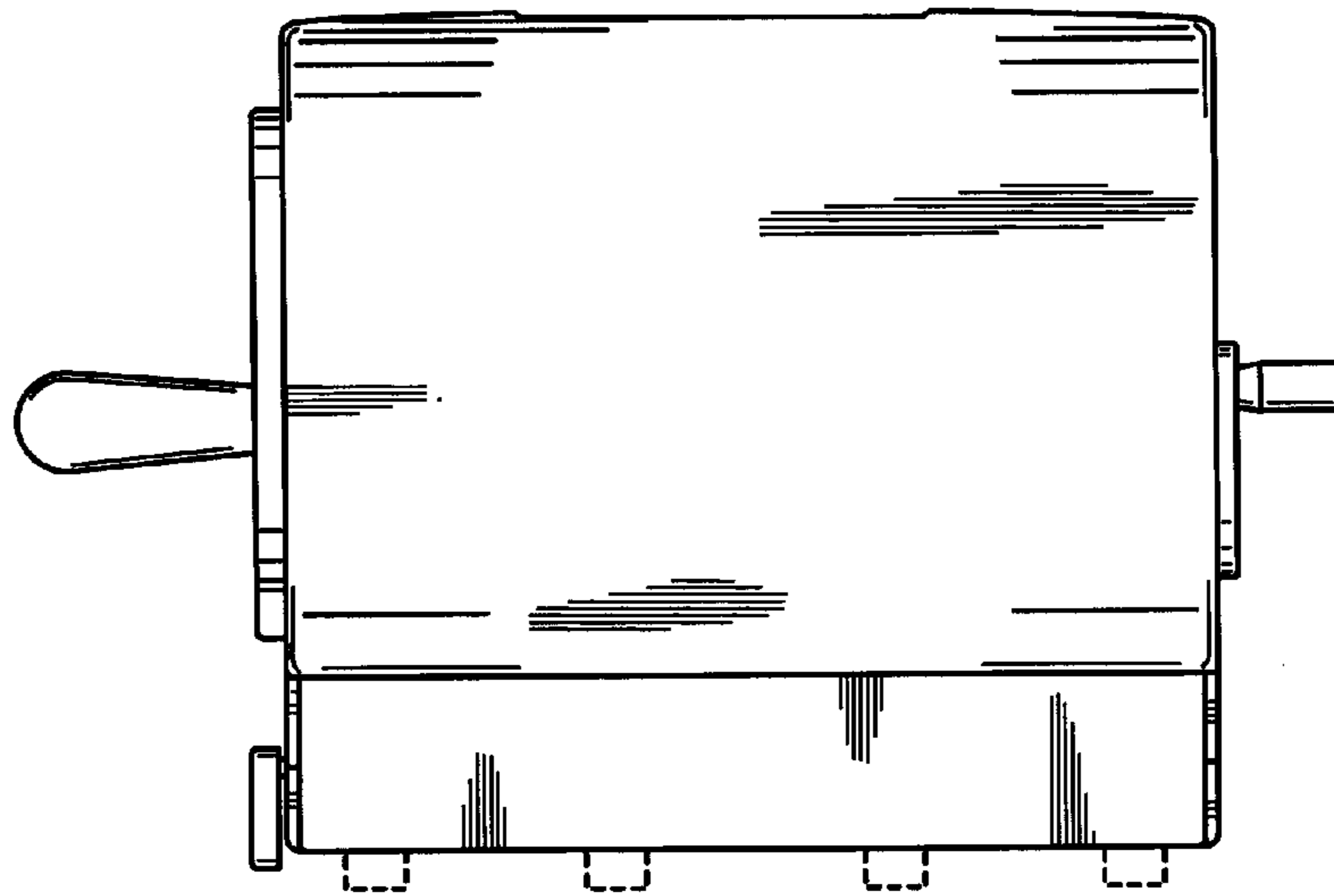


FIG. 5

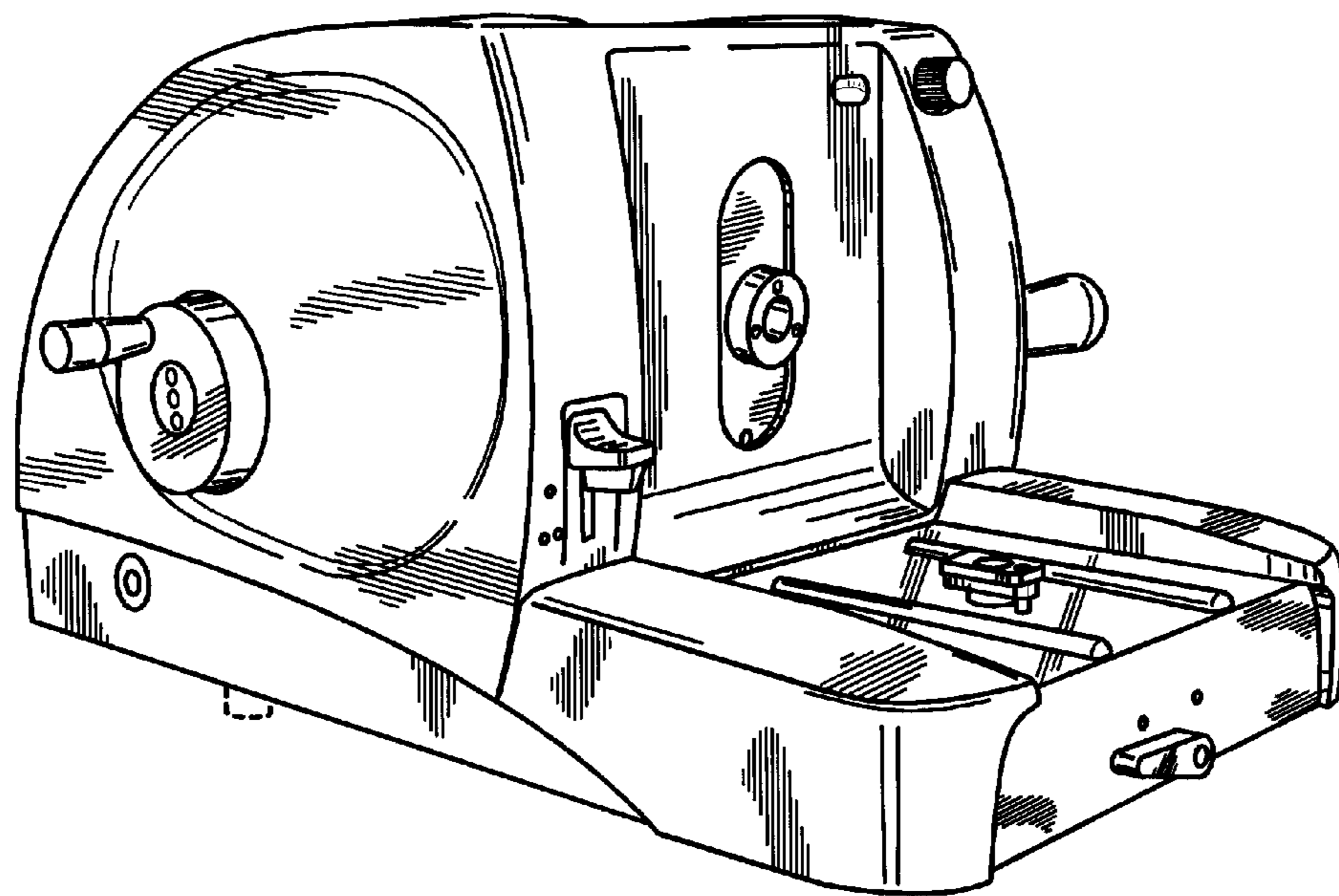


FIG. 6

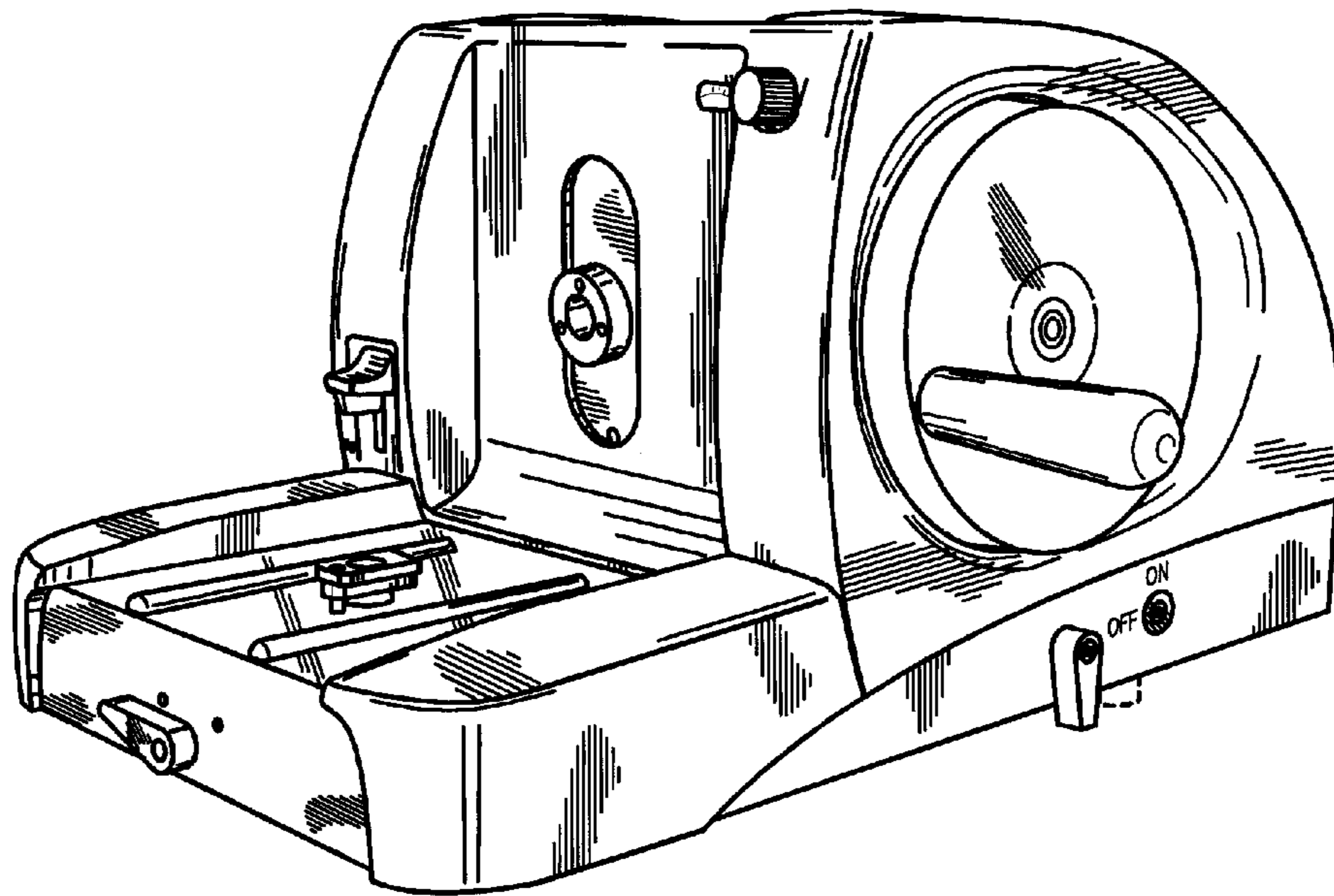


FIG. 7



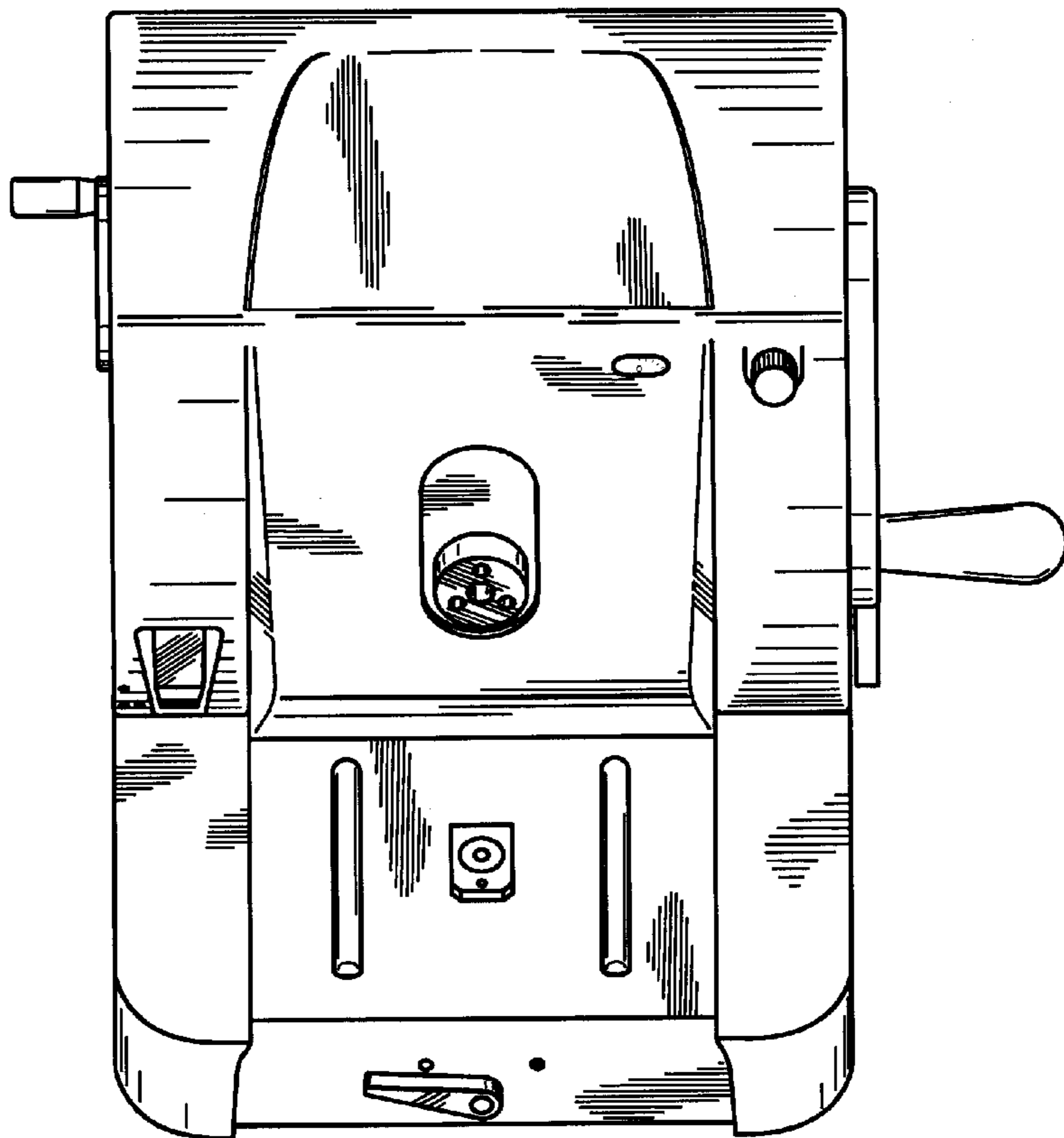


FIG. 8