



US00D668346S

(12) **United States Design Patent**
Zeng et al.

(10) **Patent No.:** **US D668,346 S**

(45) **Date of Patent:** **** Oct. 2, 2012**

(54) **PERSONAL VIBRATOR**

(75) Inventors: **Ming Zeng**, Edison, NJ (US); **Stephanie F. Berez**, Pennington, NJ (US); **Tylor Garland**, Studio City, CA (US); **Aldis Rauda**, Hollywood, CA (US)

(73) Assignee: **Church & Dwight Co., Inc.**, Princeton, NJ (US)

(**) Term: **14 Years**

(21) Appl. No.: **29/403,211**

(22) Filed: **Oct. 3, 2011**

(51) **LOC (9) Cl.** **28-03**

(52) **U.S. Cl.** **D24/215**

(58) **Field of Classification Search** D24/200,
D24/211–215; 601/27, 28, 33, 40, 46, 47,
601/48, 63, 80, 99, 104, 112, 113, 114, 119,
601/122, 125, 129, 134, 135, 137, DIG. 12,
601/DIG. 13, DIG. 14, DIG. 15, DIG. 16,
601/DIG. 17

See application file for complete search history.

(56) **References Cited**

U.S. PATENT DOCUMENTS

D509,301	S	*	9/2005	Talbot et al.	D24/215
D613,417	S	*	4/2010	Imboden et al.	D24/215
D620,601	S	*	7/2010	TerMeer	D24/215
7,749,178	B2	*	7/2010	Imboden et al.	601/15
7,815,582	B2		10/2010	Imboden et al.		
D631,973	S		2/2011	Imboden et al.		
D631,974	S		2/2011	Imboden et al.		
D637,308	S	*	5/2011	Imboden et al.	D24/215
D637,309	S		5/2011	Park		
D637,729	S		5/2011	Tompkin		
7,938,789	B2		5/2011	Imboden et al.		
D643,128	S	*	8/2011	Mohamed et al.	D24/215
D652,943	S	*	1/2012	Chong et al.	D24/215
2008/0306417	A1	*	12/2008	Imboden et al.	601/134
2010/0222719	A1		9/2010	Cowie et al.		
2011/0071445	A1		3/2011	Imboden et al.		

* cited by examiner

Primary Examiner — Sandra Snapp

(74) *Attorney, Agent, or Firm* — Frenkel & Associates, P.C.

(57) **CLAIM**

We claim the ornamental design for a personal vibrator, as shown and described.

DESCRIPTION

FIG. 1 is a perspective view of the personal vibrator of this invention;

FIG. 2 is a front elevation view of the personal vibrator;

FIG. 3 is a back elevation view of the personal vibrator;

FIG. 4 is a side view of the personal vibrator;

FIG. 5 is an opposite side view of the personal vibrator;

FIG. 6 is a top plan view of the personal vibrator;

FIG. 7 is a bottom plan view of the personal vibrator;

FIG. 8 is a side view of the personal vibrator in a partially twisted configuration;

FIG. 9 is a side view of the personal vibrator in a fully twisted configuration;

FIG. 10 is a perspective view of an alternative embodiment of the personal vibrator of this invention;

FIG. 11 is a front elevation view of the alternative embodiment of the personal vibrator;

FIG. 12 is a back elevation view of the alternative embodiment of the personal vibrator;

FIG. 13 is a side view of the alternative embodiment of the personal vibrator;

FIG. 14 is an opposite side view of the alternative embodiment of the personal vibrator;

FIG. 15 is a top plan view of the alternative embodiment of the personal vibrator;

FIG. 16 is a bottom plan view of the alternative embodiment of the personal vibrator;

FIG. 17 is a side view of the alternative embodiment of the personal vibrator in a partially twisted configuration; and,

FIG. 18 is a side view of the alternative embodiment of the personal vibrator in a fully twisted configuration.

1 Claim, 10 Drawing Sheets

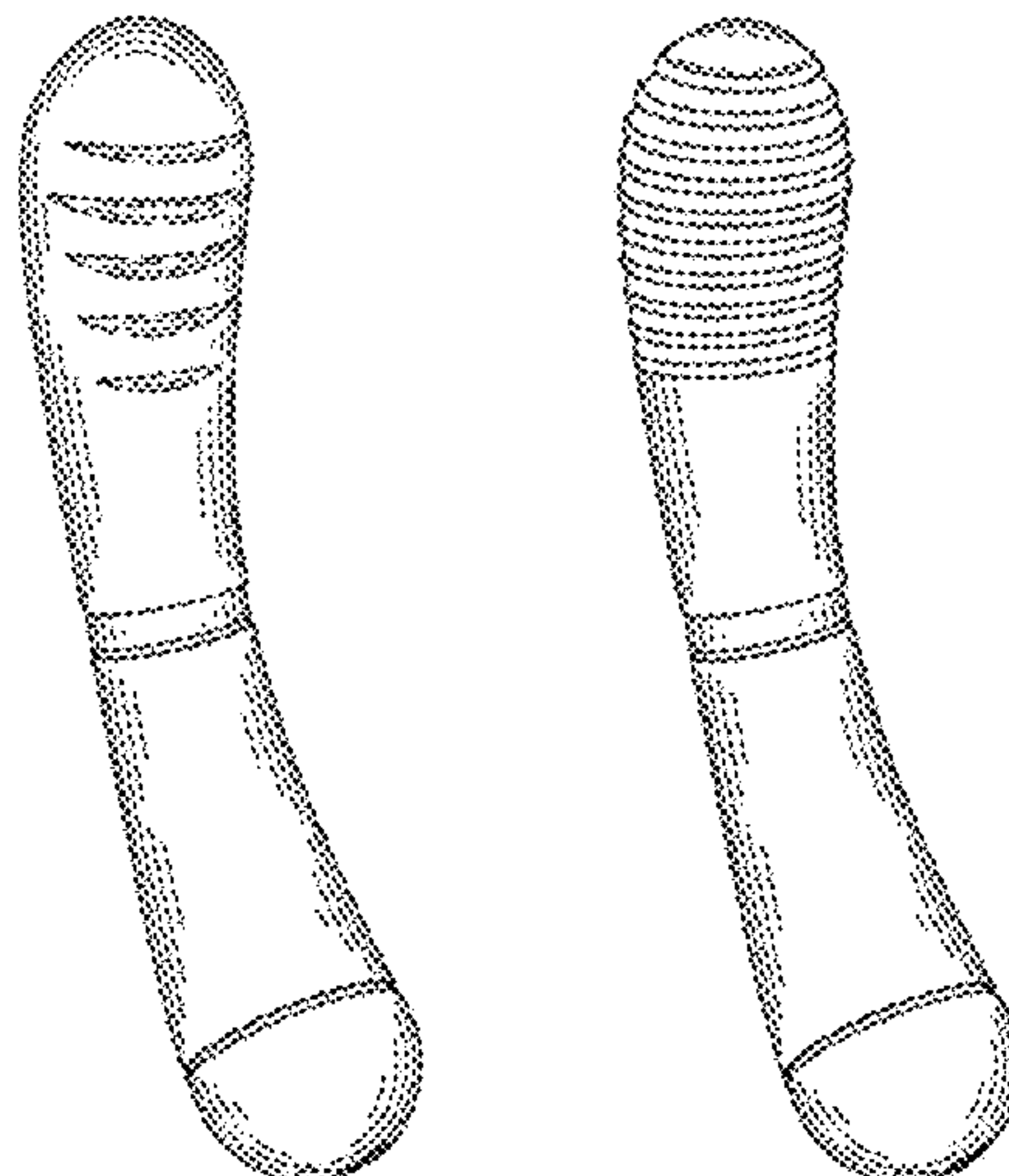


Fig. 1

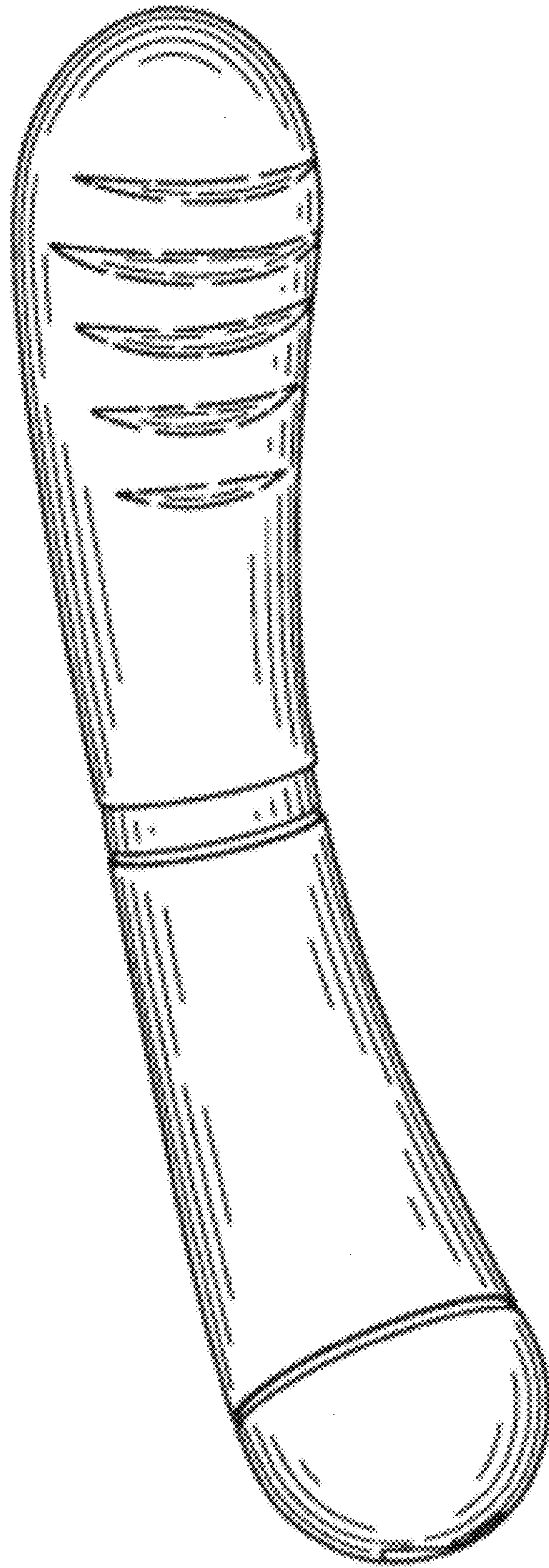


Fig. 2

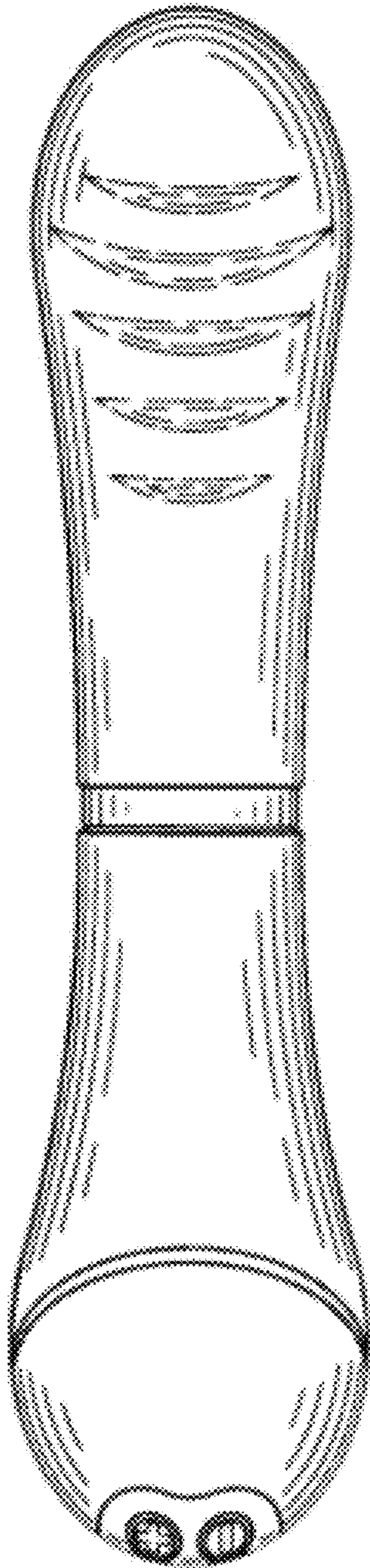


Fig. 3

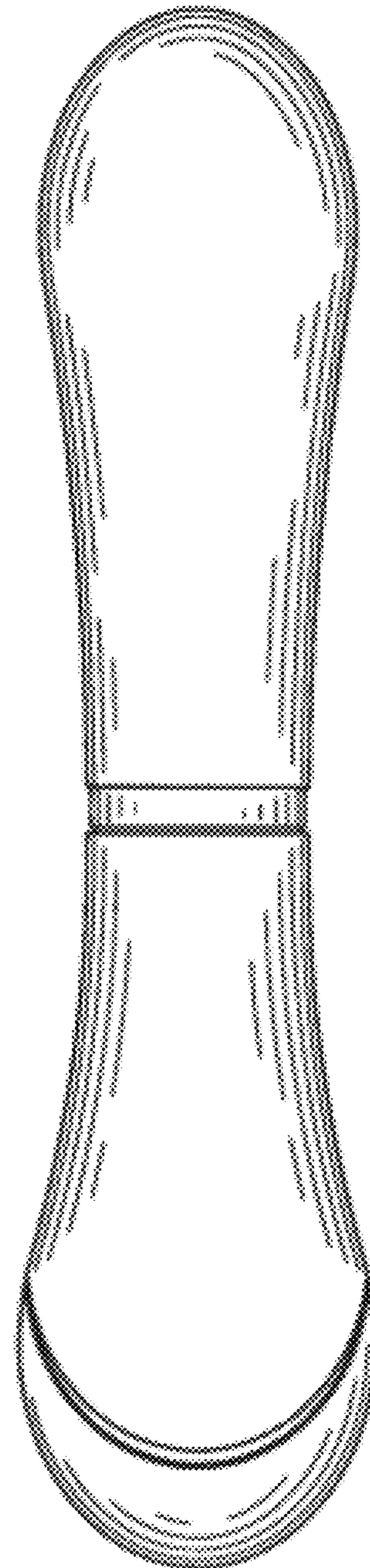


Fig. 4

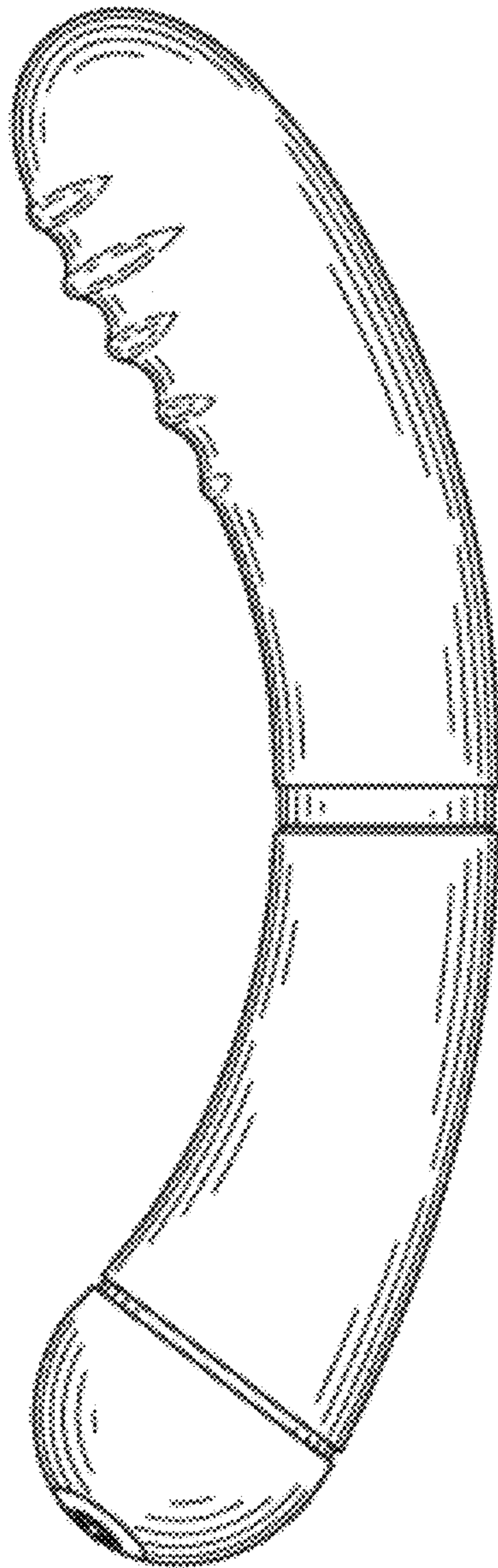


Fig. 5

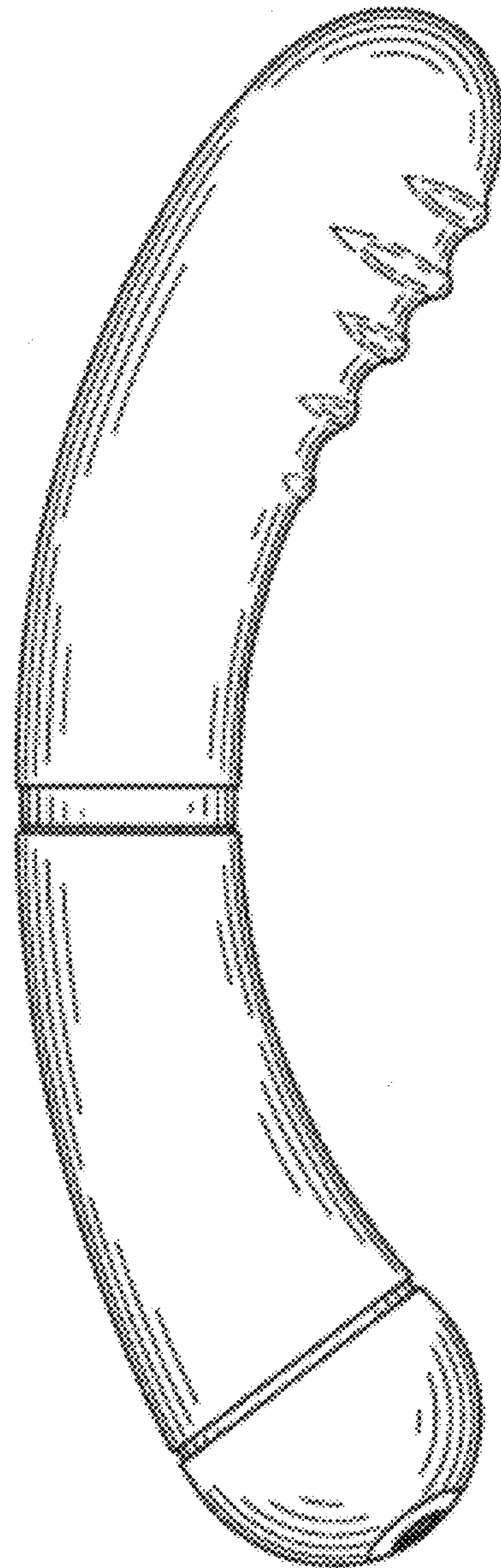


Fig. 6

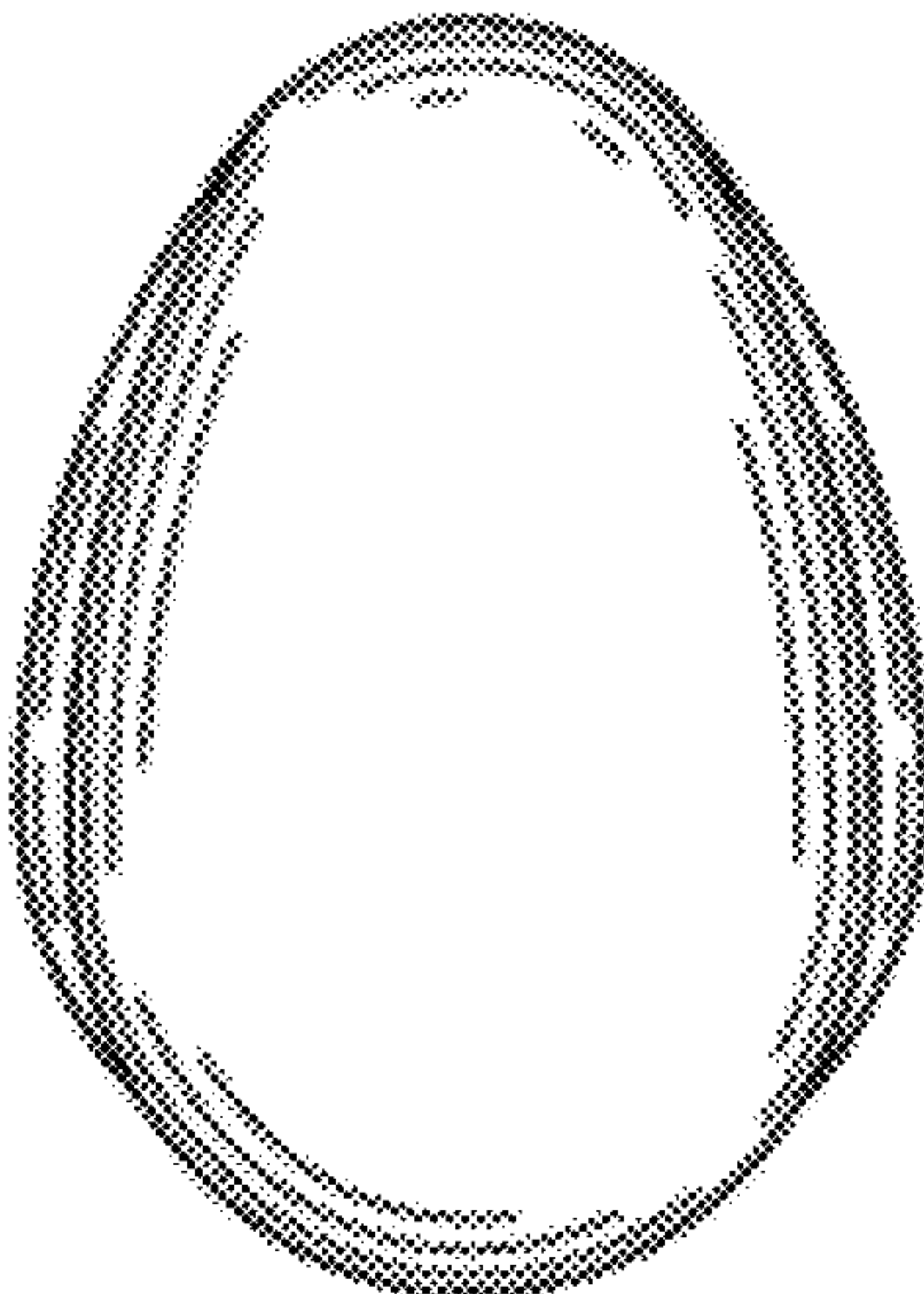


Fig. 7

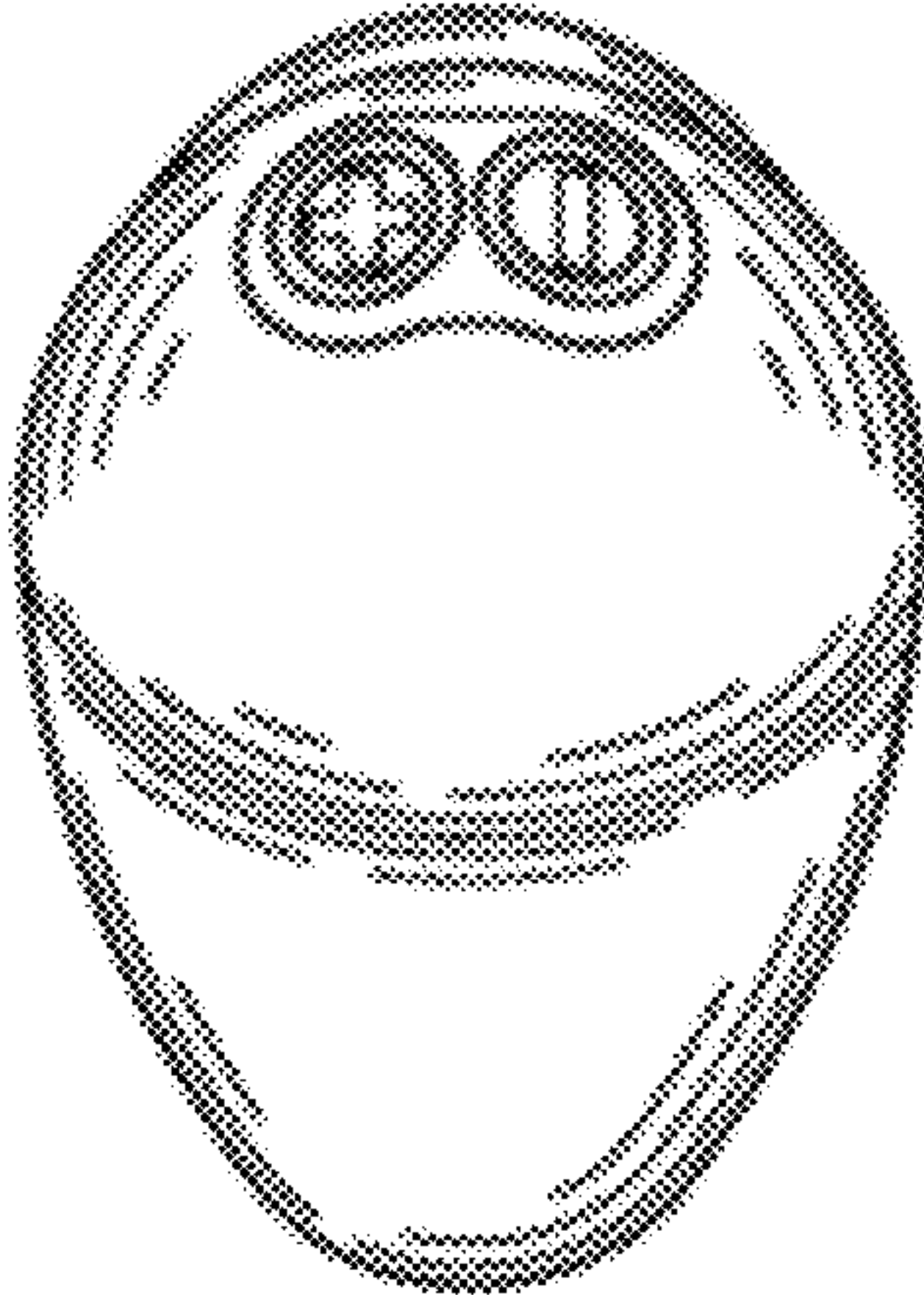


Fig. 8

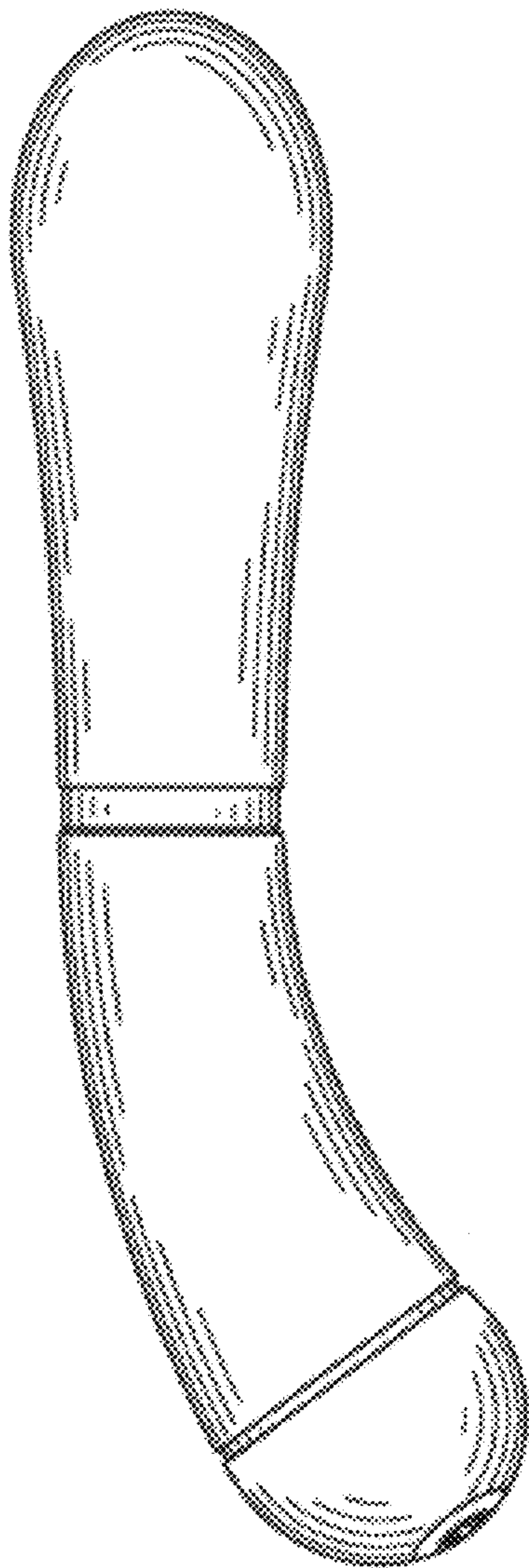


Fig. 9

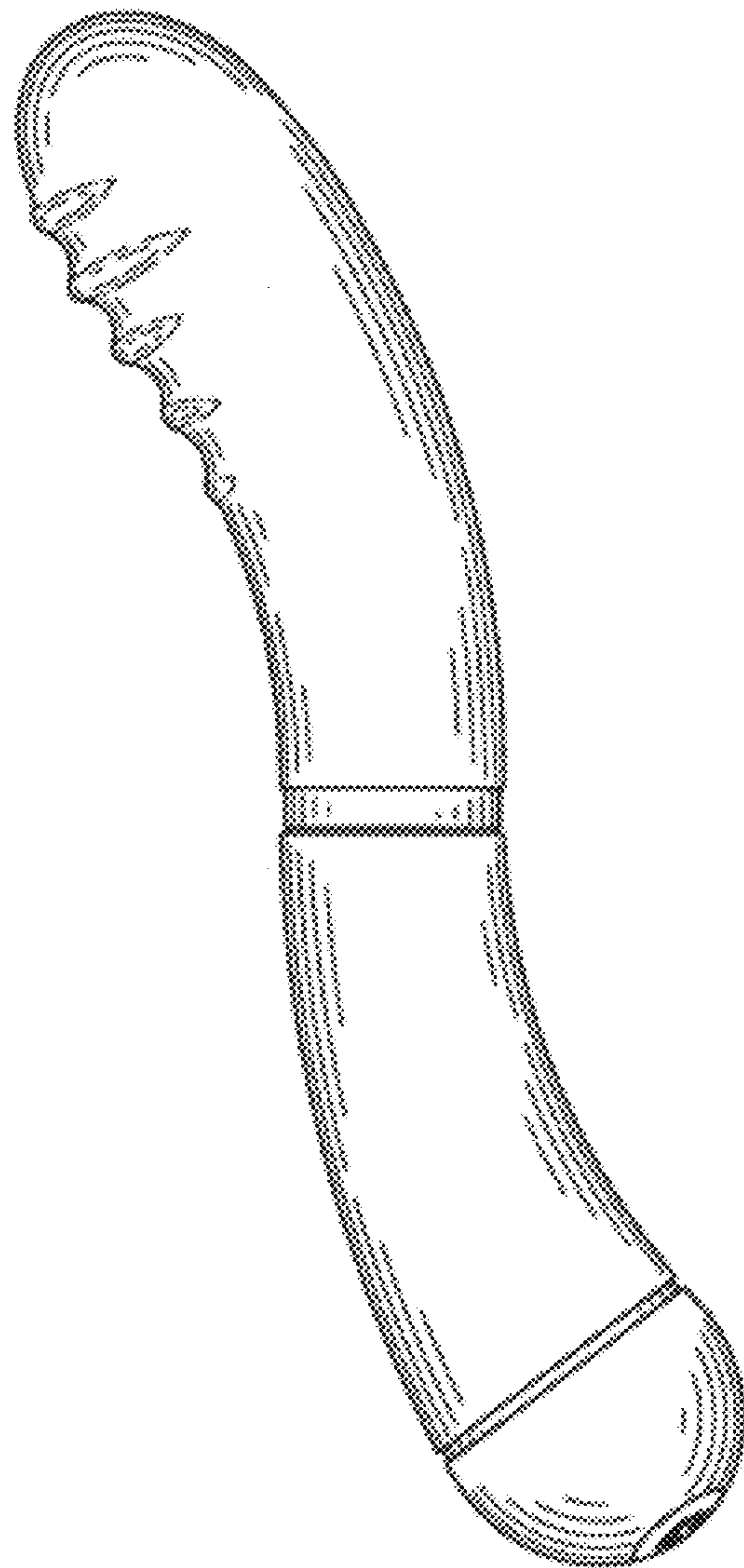


Fig. 10

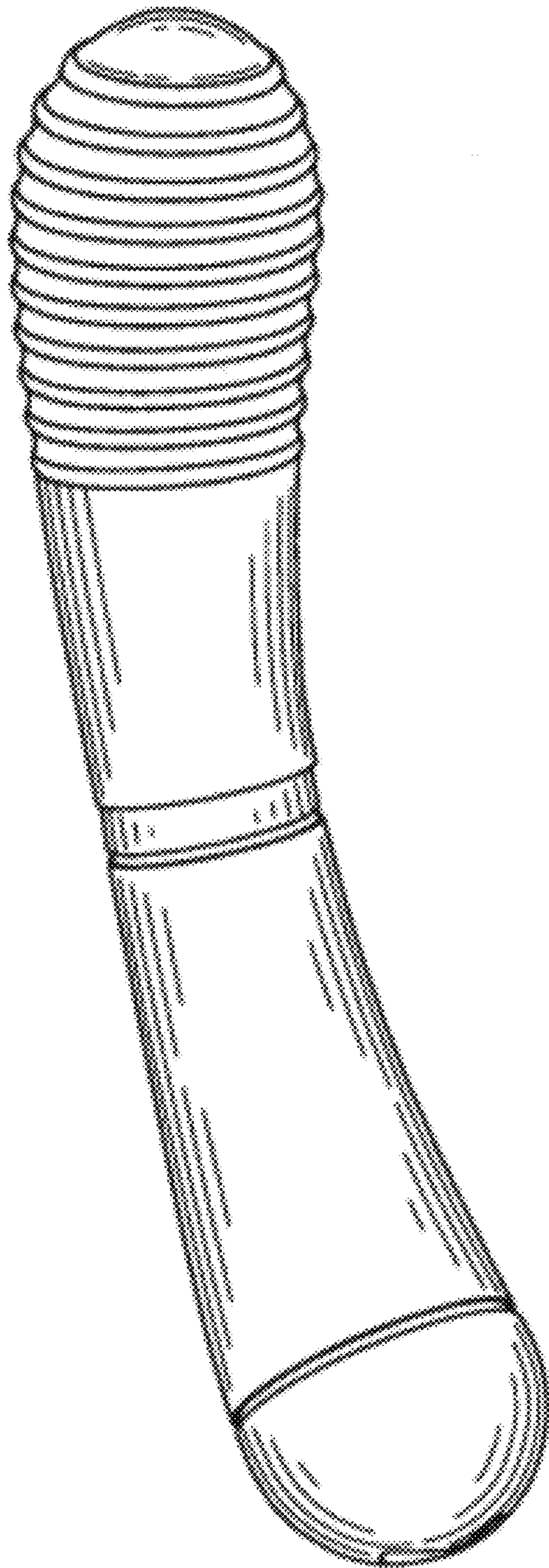


Fig. 11

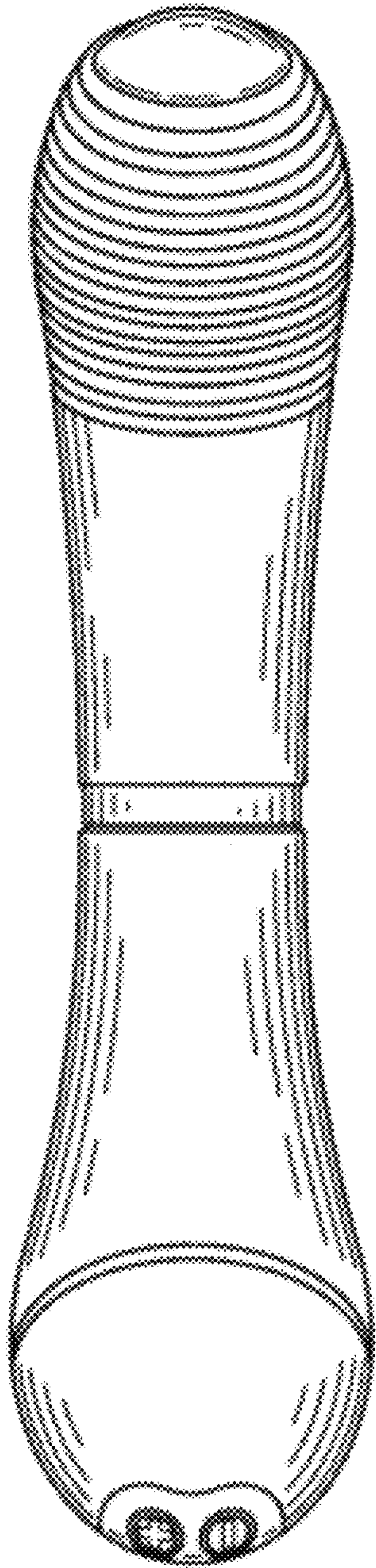


Fig. 12

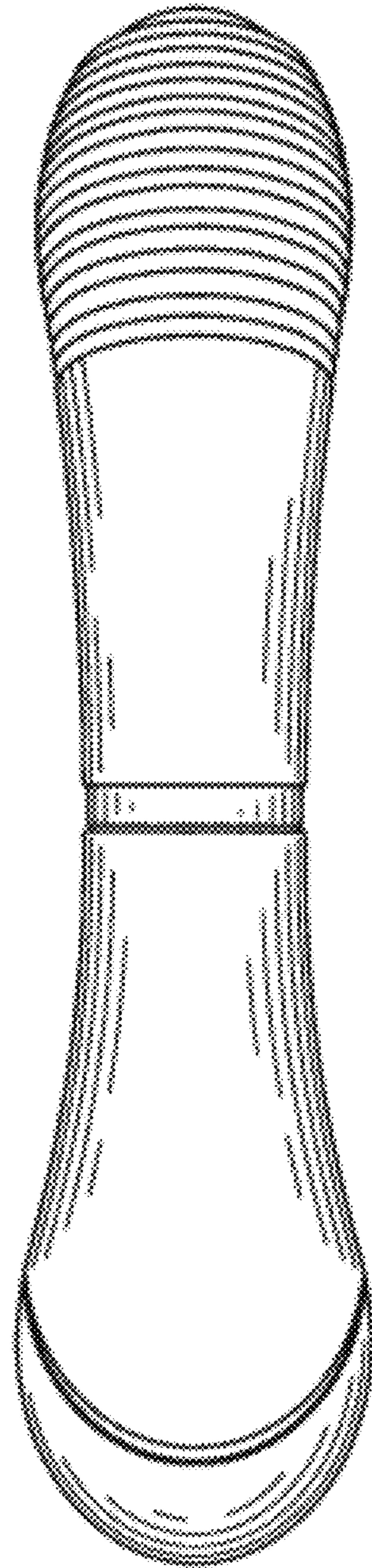


Fig. 13

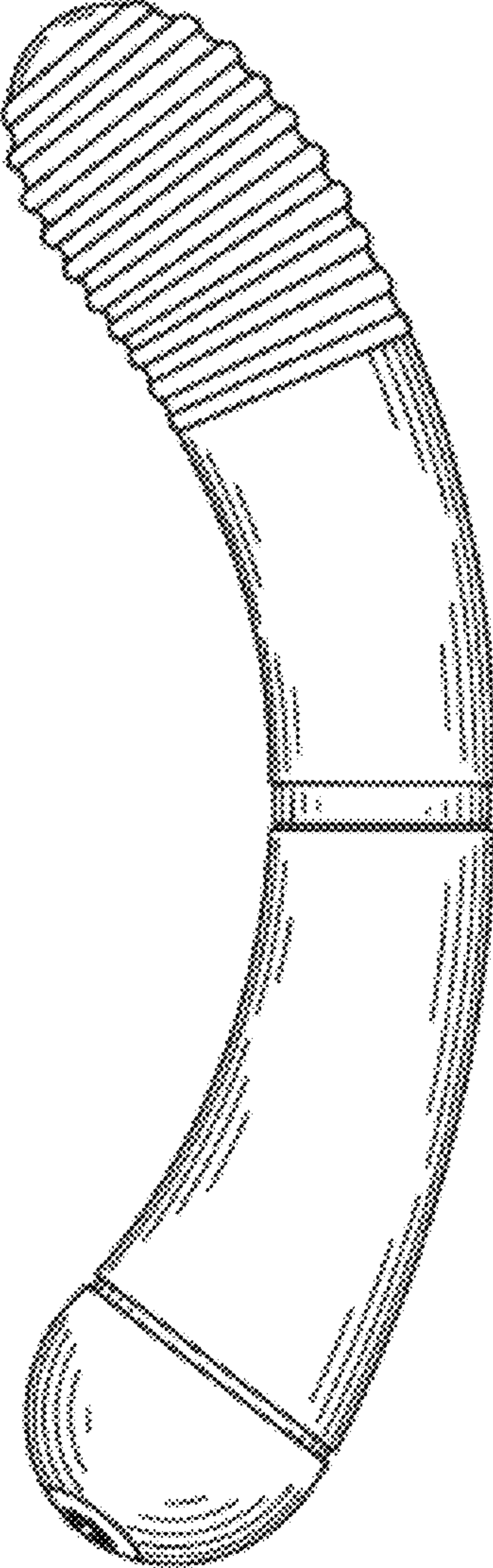


Fig. 14

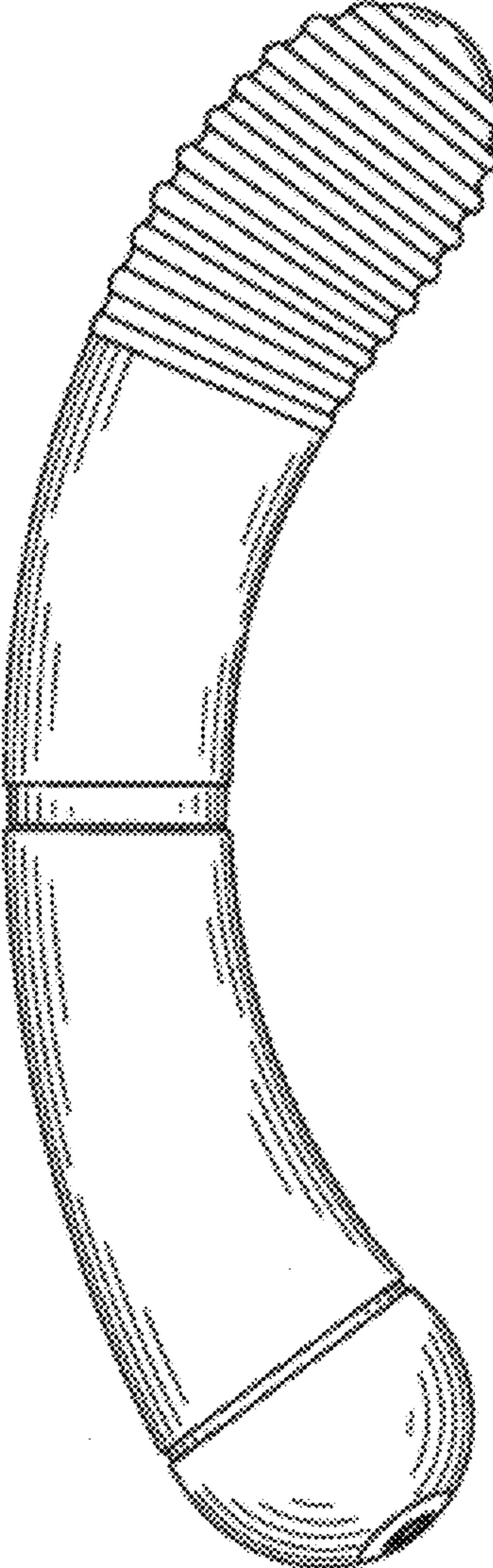


Fig. 15

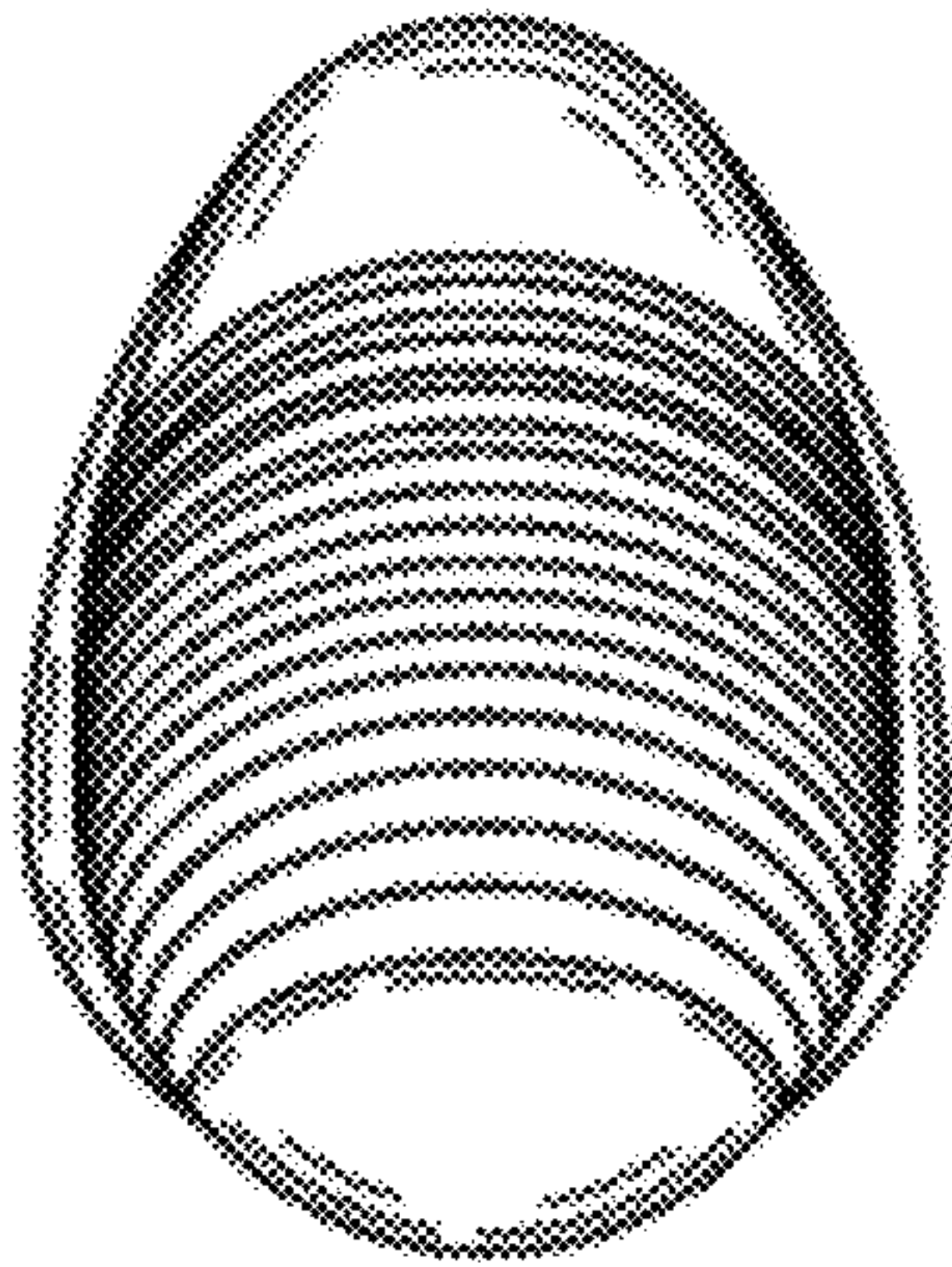


Fig. 16

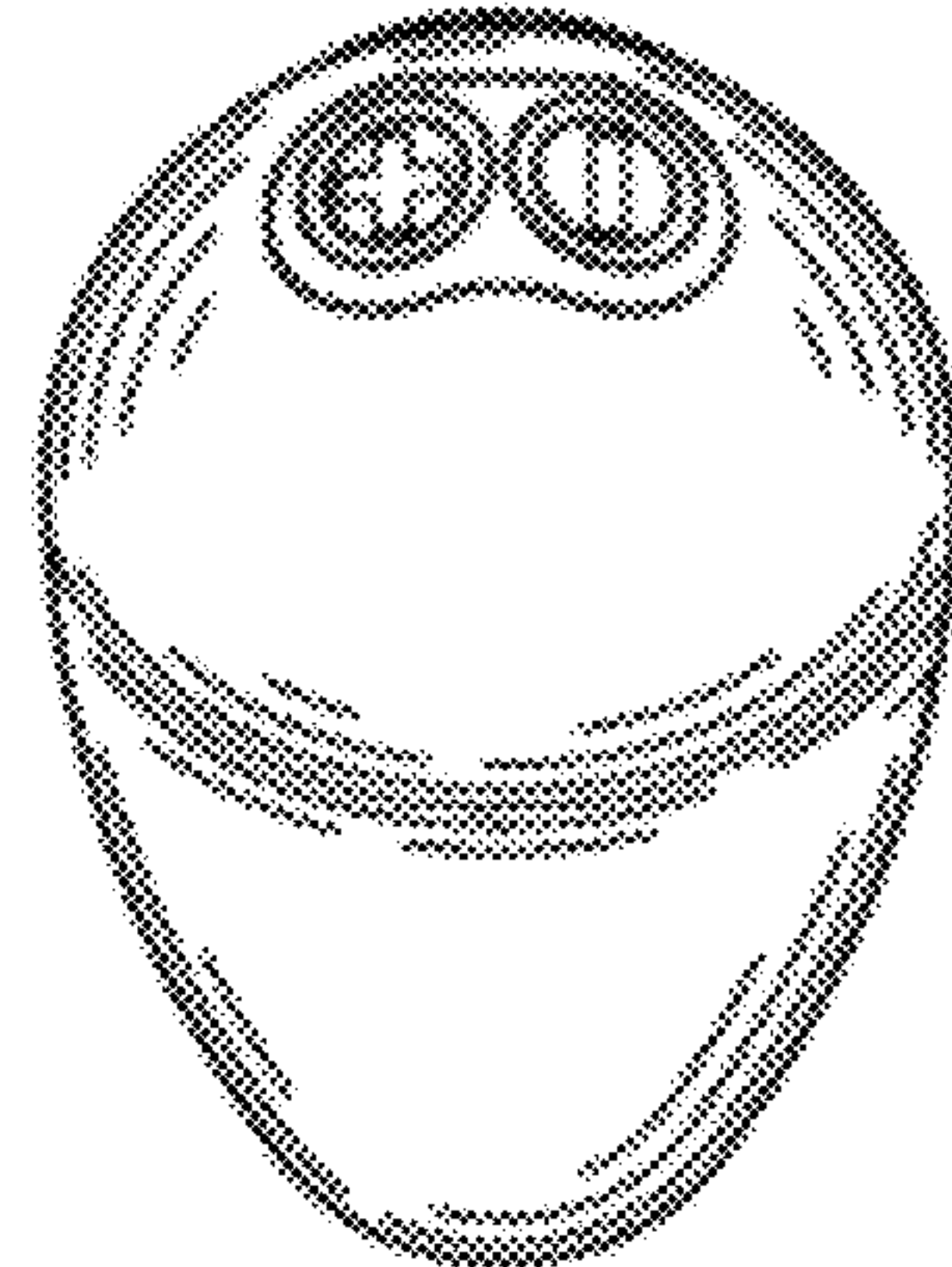


Fig. 17

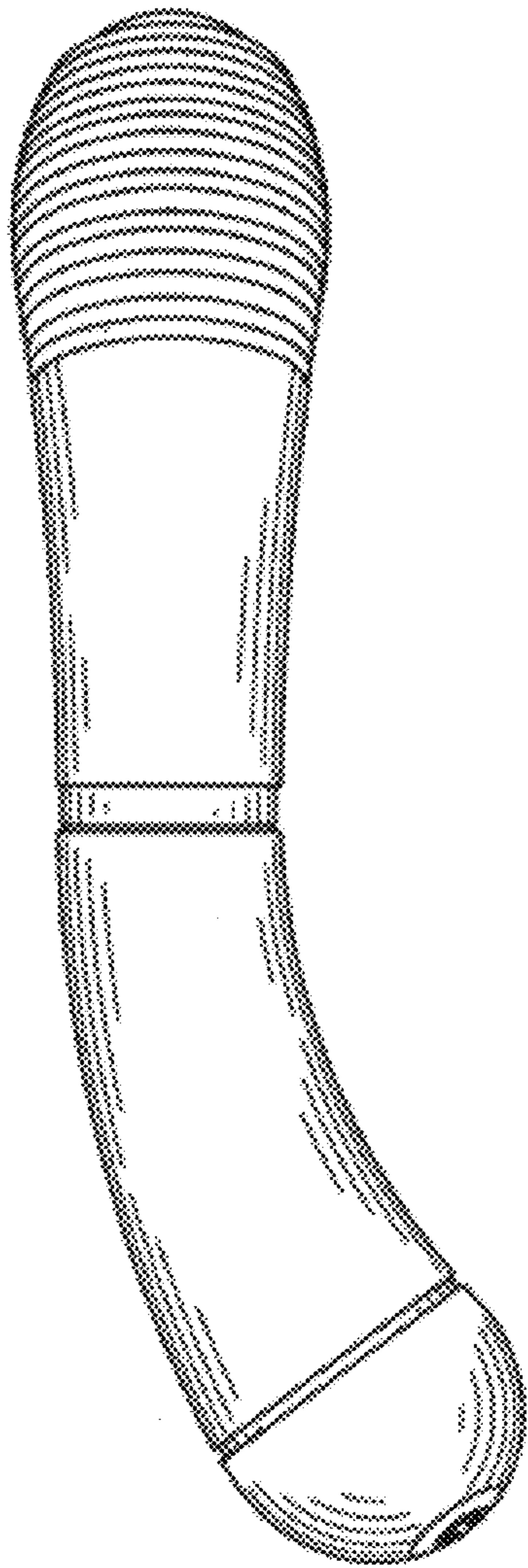


Fig. 18

