



US00D668339S

(12) **United States Design Patent**
Luoto

(10) **Patent No.:** **US D668,339 S**

(45) **Date of Patent:** **** Oct. 2, 2012**

(54) **DENTAL INSTRUMENT HANDLE**

(75) **Inventor:** **Toni Luoto**, Parainen (FI)

(73) **Assignee:** **L-M Instruments Oy**, Parainen (FI)

(**) **Term:** **14 Years**

(21) **Appl. No.:** **29/405,066**

(22) **Filed:** **Oct. 28, 2011**

(30) **Foreign Application Priority Data**

Apr. 29, 2011 (EM) 001857186

(51) **LOC (9) Cl.** **24-02**

(52) **U.S. Cl.** **D24/152**

(58) **Field of Classification Search** D24/133,
D24/146-147, 152, 156; D8/82-83, 107,
D8/300; D9/516, 545, 549; D19/55; 81/52,
81/177.1; 433/86, 114, 117-119, 141, 143,
433/147

See application file for complete search history.

(56) **References Cited**

U.S. PATENT DOCUMENTS

788,909 A * 5/1905 Ivory 433/143
827,507 A * 7/1906 Crawford 433/147

D160,160 S * 9/1950 Friedman D24/152
D255,834 S * 7/1980 Linden D24/152
D428,146 S * 7/2000 Svanberg et al. D24/133
D462,440 S * 9/2002 Formanek D24/133
D520,138 S * 5/2006 Kuhn et al. D24/152
D531,310 S * 10/2006 Wolter et al. D24/133
D652,137 S * 1/2012 Nino et al. D24/133
2010/0266983 A1 * 10/2010 Ng et al. 433/114

* cited by examiner

Primary Examiner — Wan Laymon

(74) *Attorney, Agent, or Firm* — Fay Sharpe LLP

(57) **CLAIM**

The ornamental design for a dental instrument handle, as shown and described.

DESCRIPTION

FIG. 1 is a front plan view of the dental instrument handle;
FIG. 2 is a first side plan view thereof;
FIG. 3 is a rear plan view thereof;
FIG. 4 is a top end view thereof, where the broken lines showing portions of the dental instrument handle are included for illustrating environmental structure and form no part of the claimed design;
FIG. 5 is a bottom end view thereof;
FIG. 6 is a top end perspective view thereof; and,
FIG. 7 is a bottom end perspective view thereof.

1 Claim, 6 Drawing Sheets

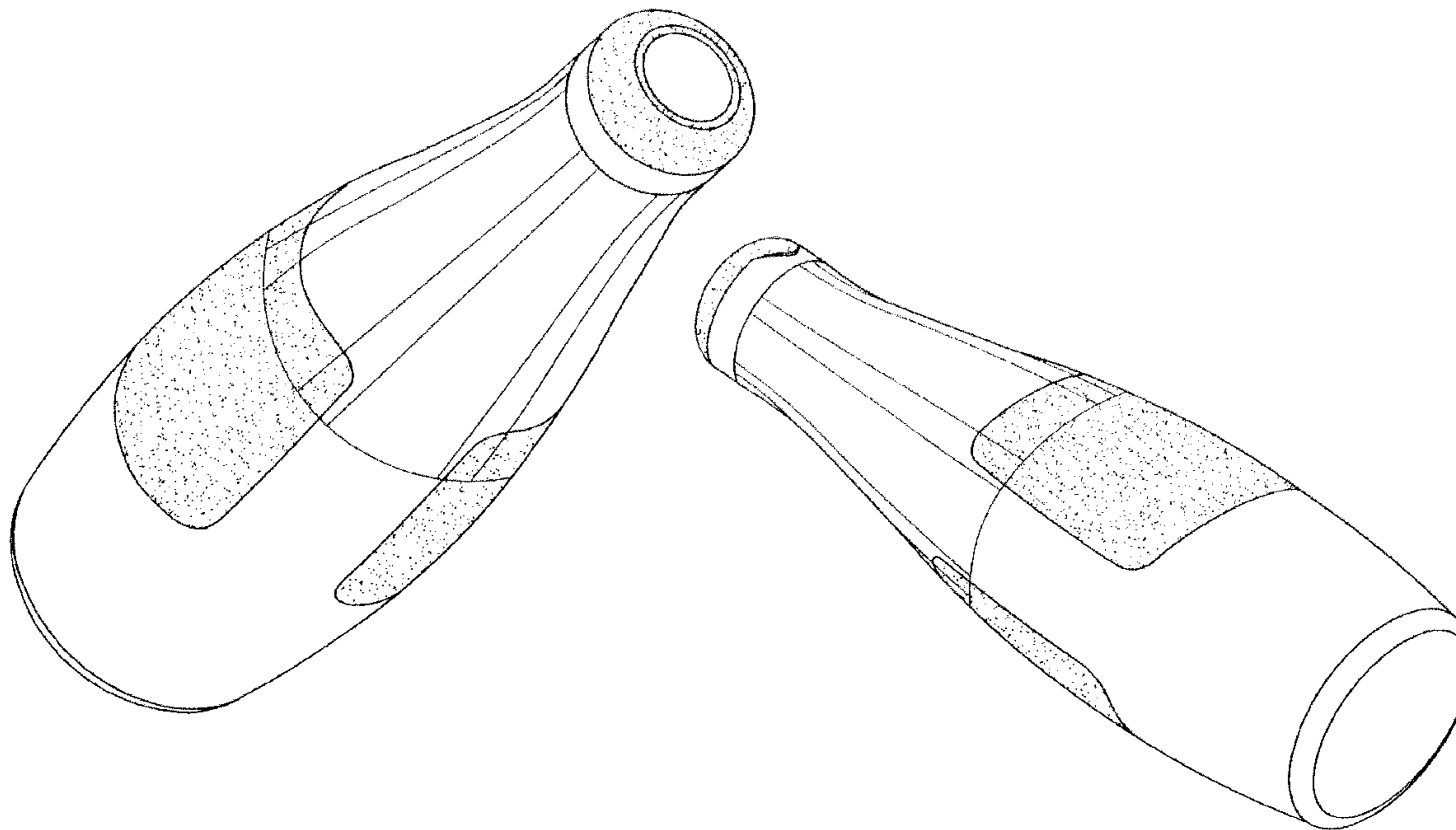


FIG. 1

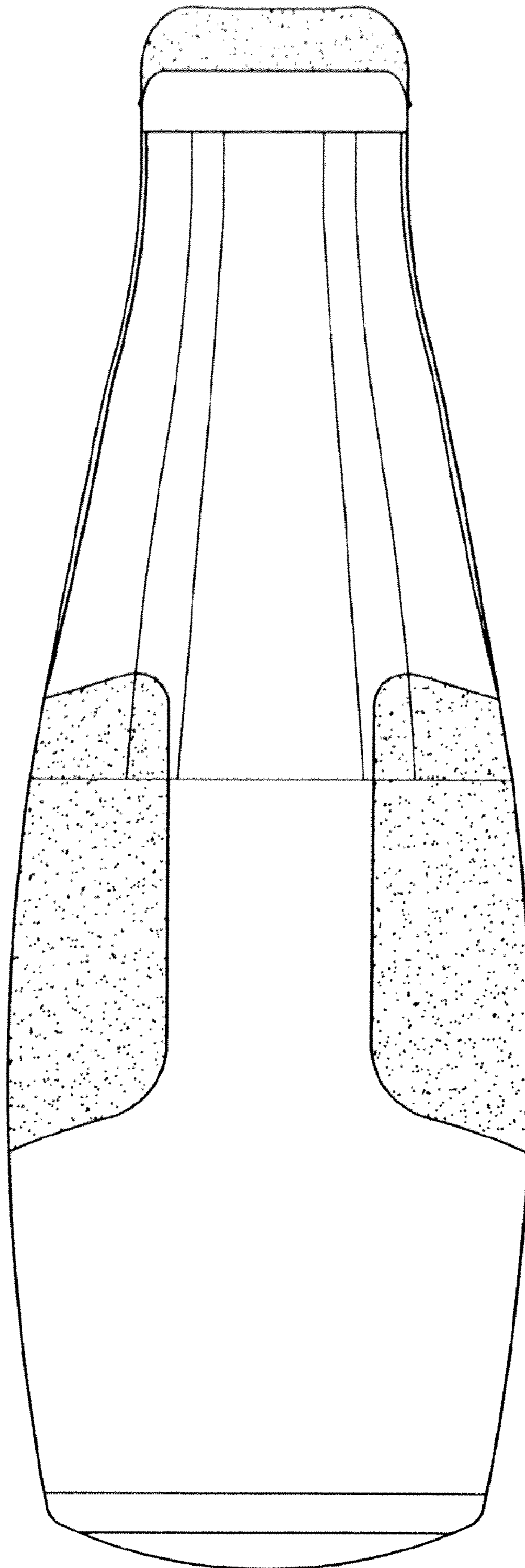


FIG. 2

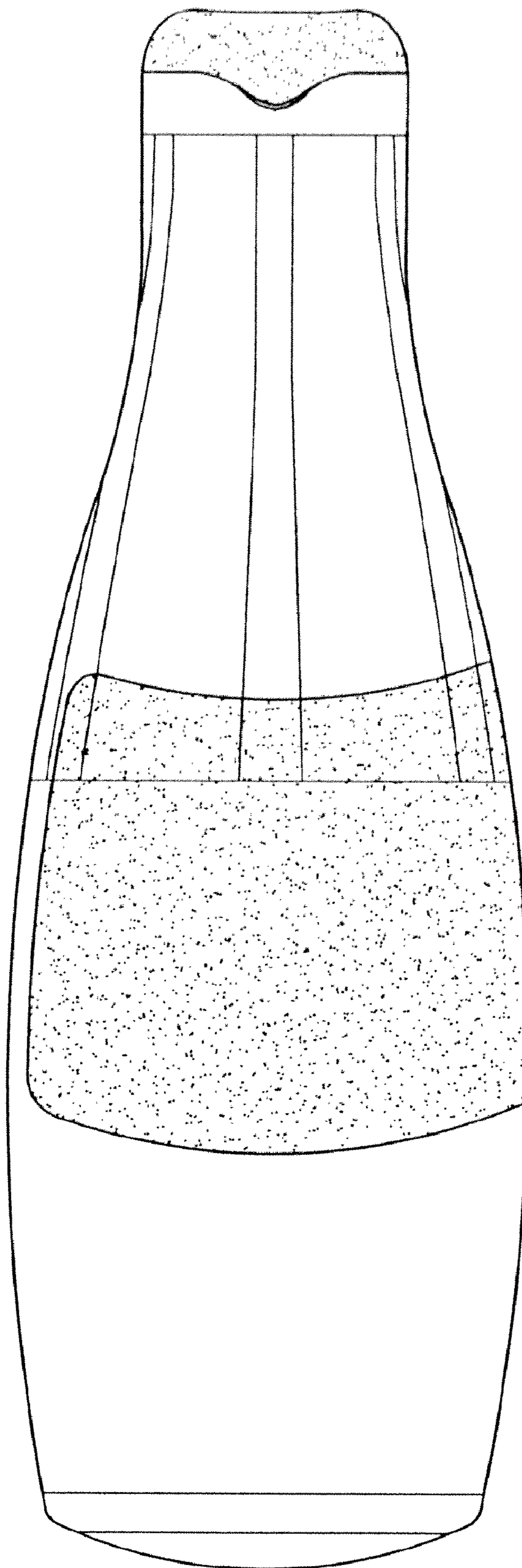
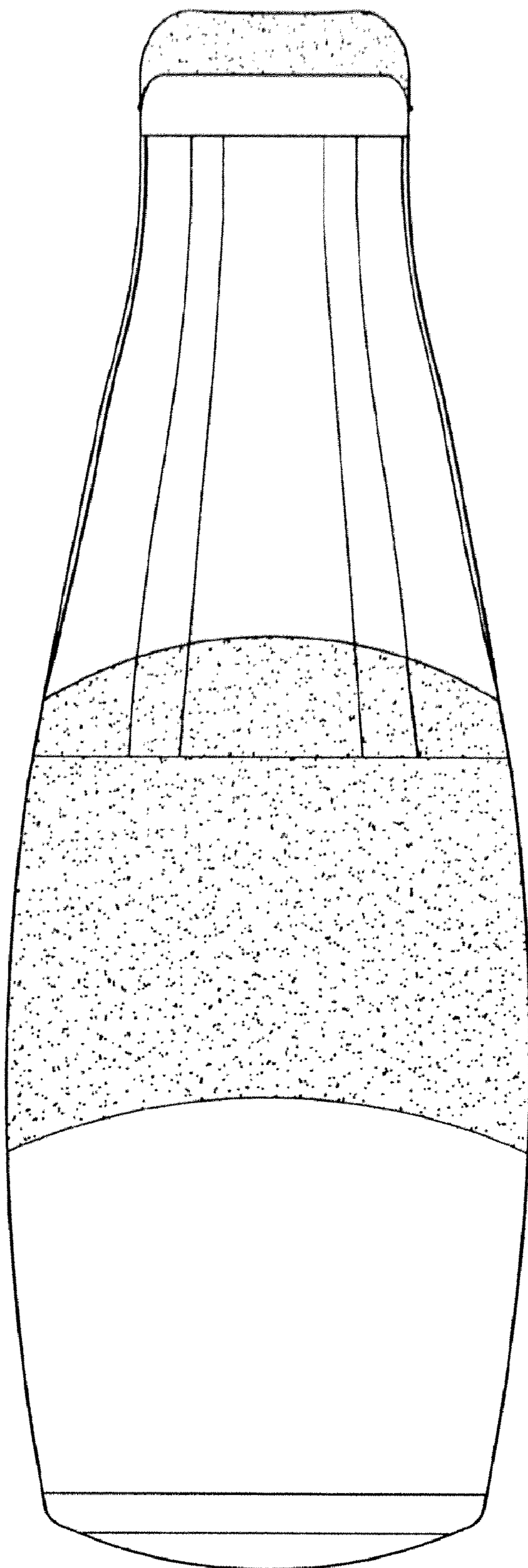


FIG. 3



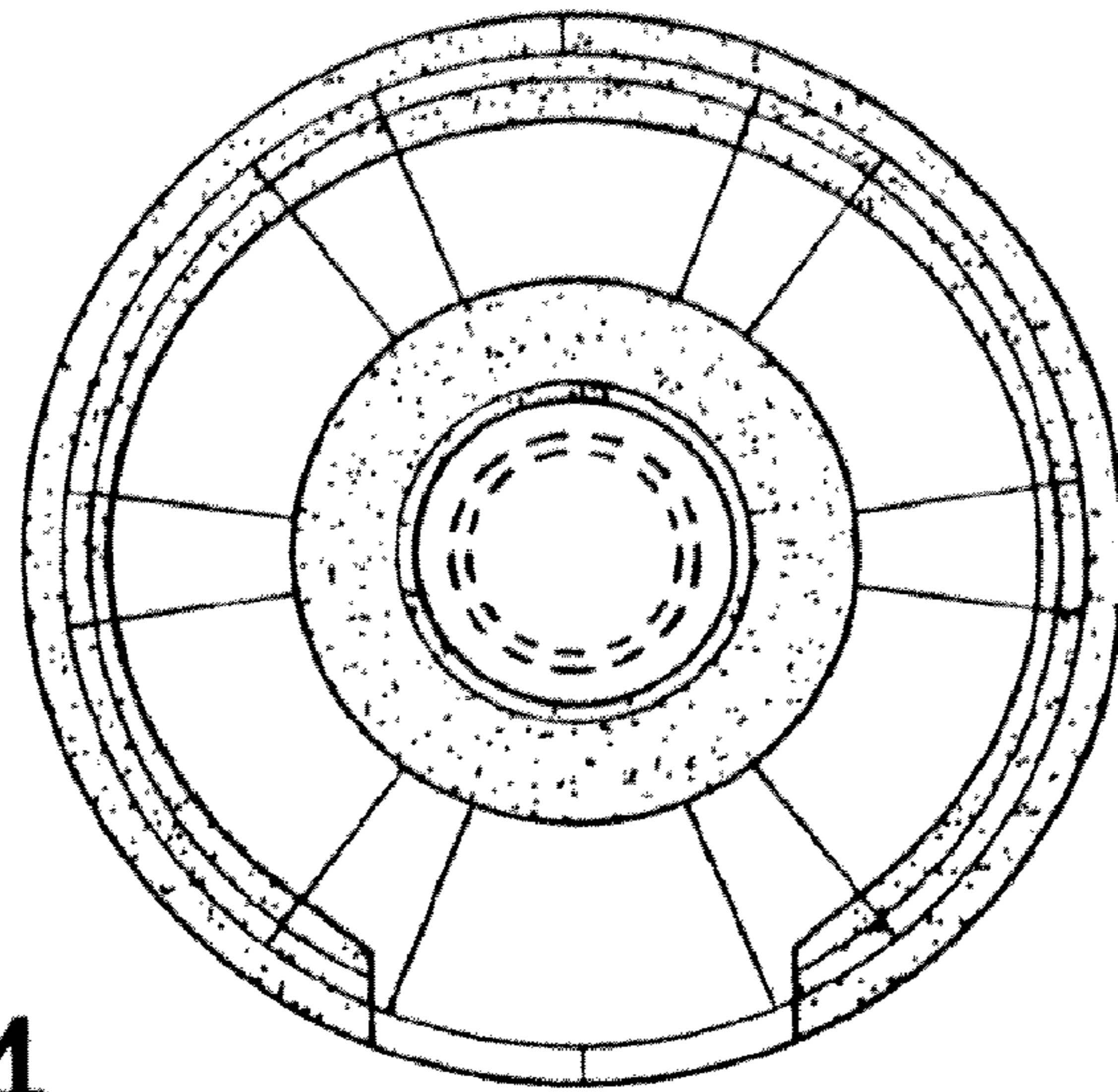


FIG. 4

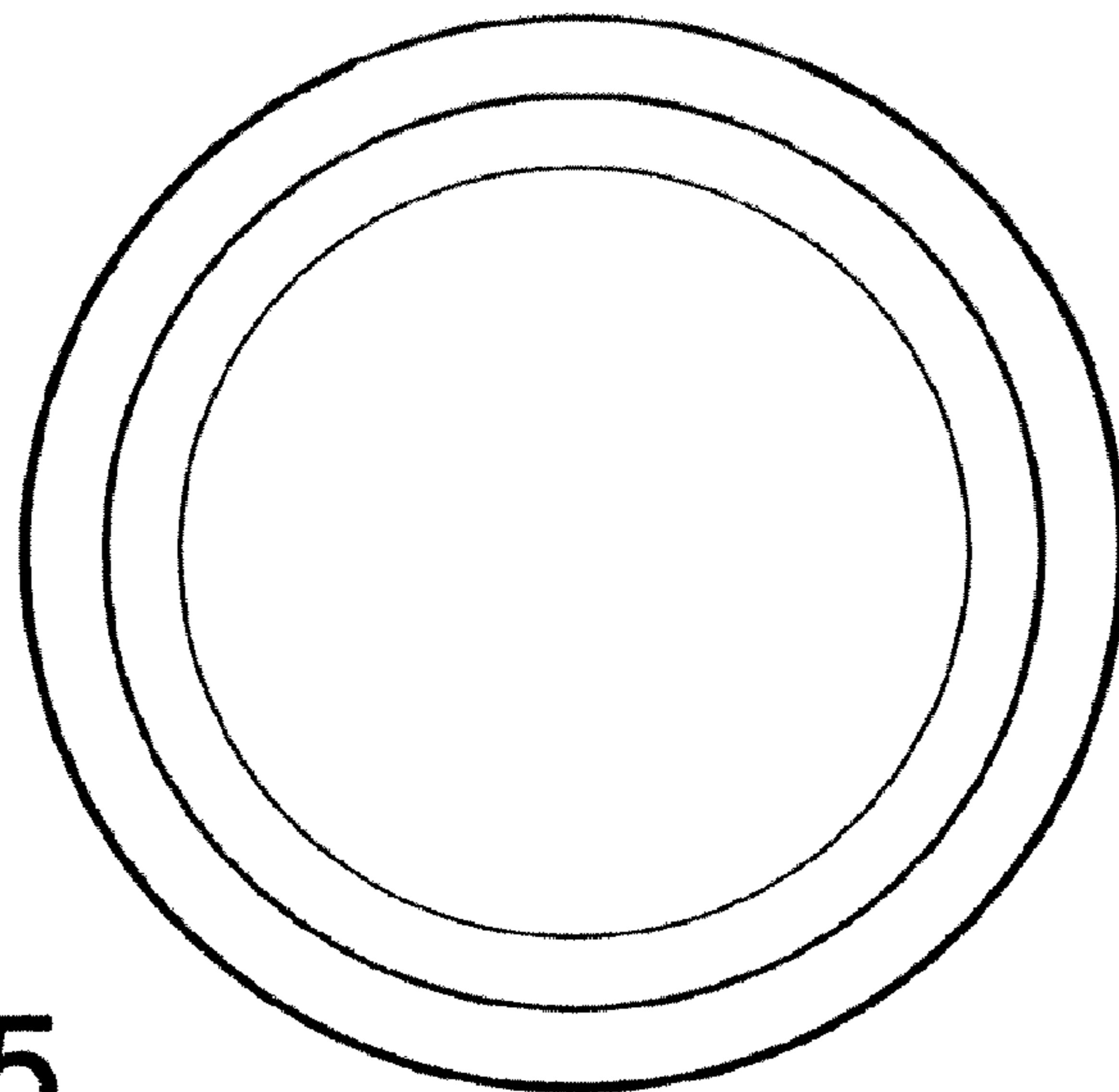


FIG. 5

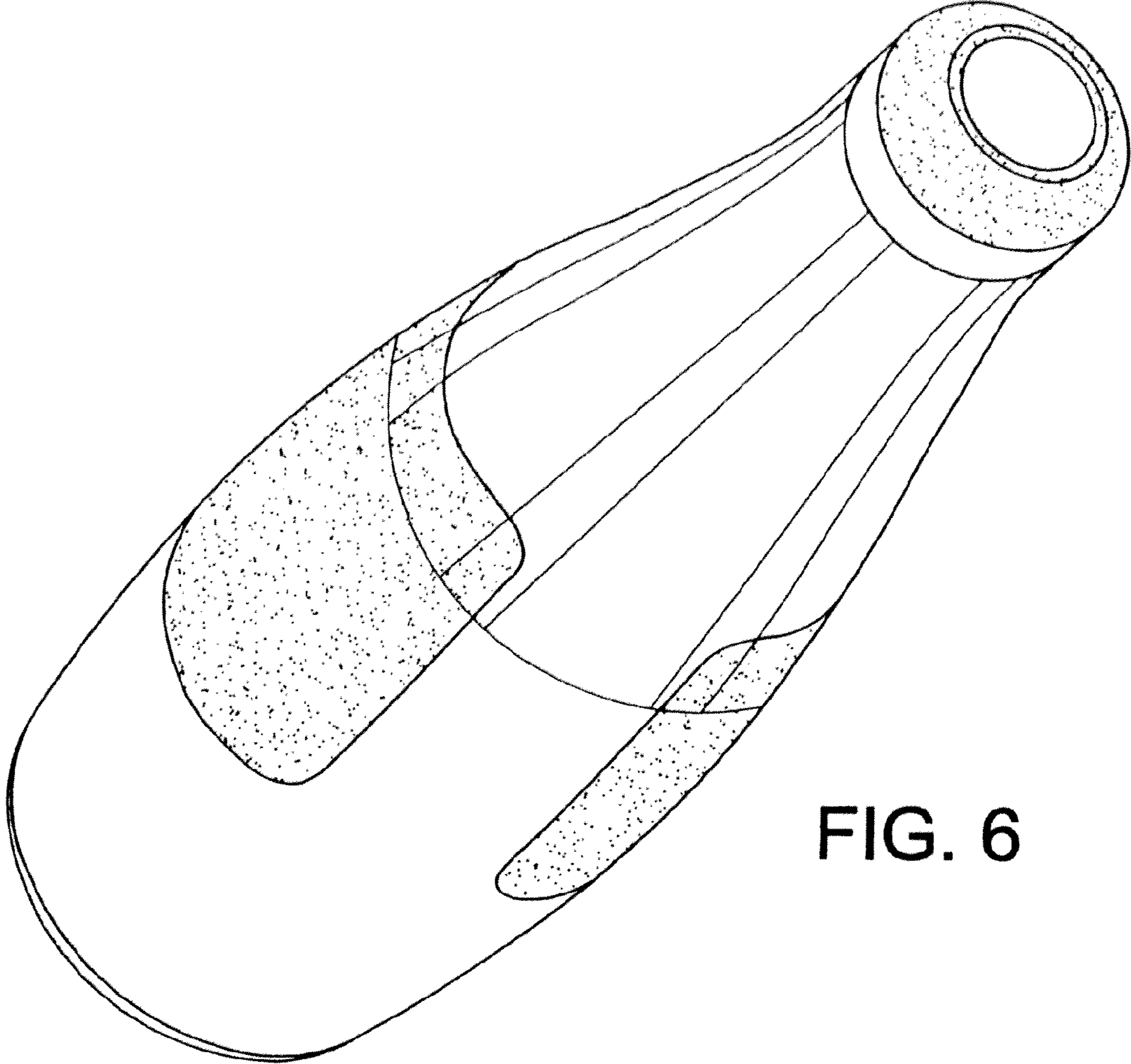


FIG. 6

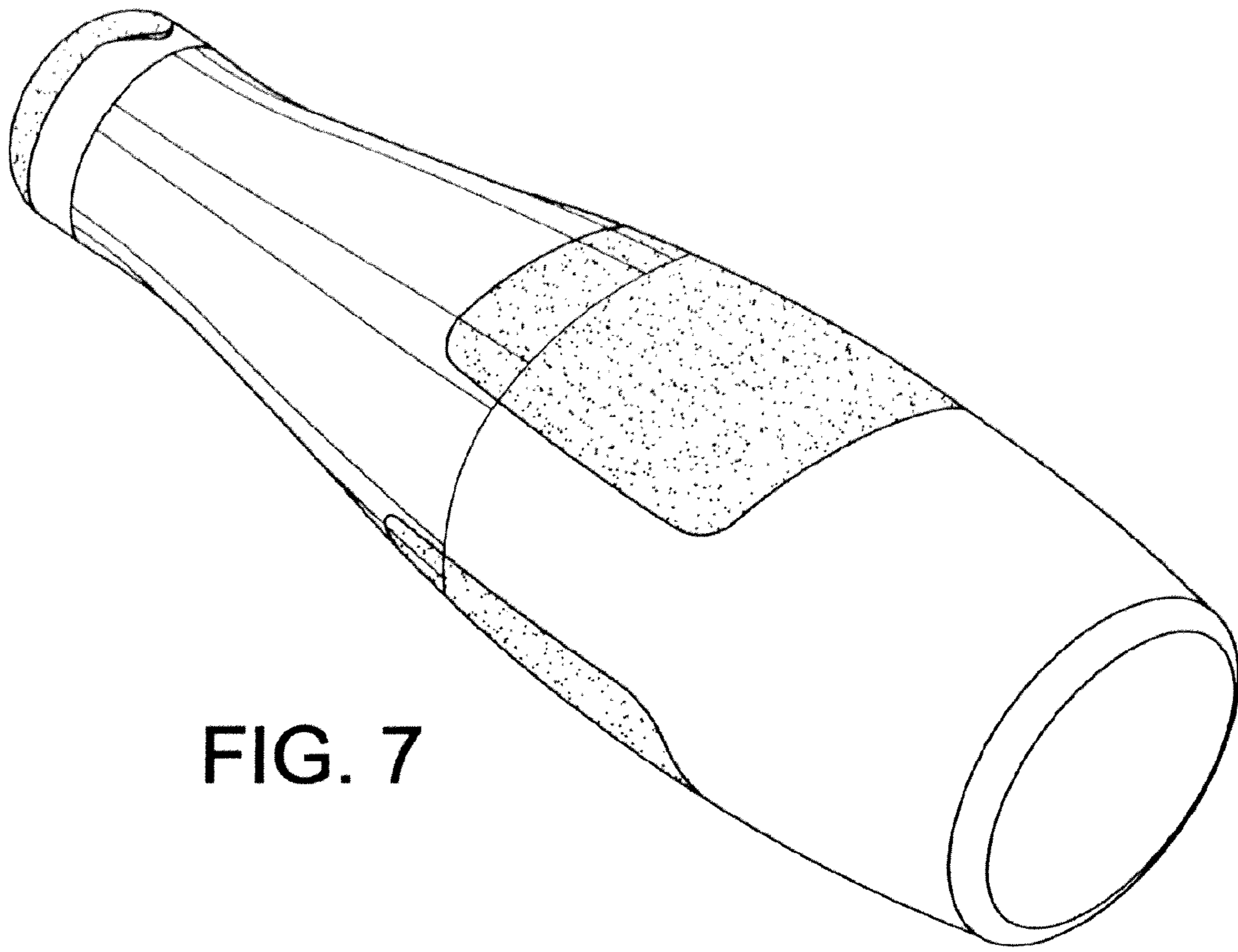


FIG. 7