



US00D668338S

(12) **United States Design Patent**
Bast et al.

(10) **Patent No.:** **US D668,338 S**
(45) **Date of Patent:** **** Oct. 2, 2012**

(54) **TOOL IMPLEMENT RELEASE COLLAR**

(75) Inventors: **Robert Bast**, Sheboygan Falls, WI (US);
Robert F. Miller, Grafton, WI (US)

(73) Assignee: **Gauthier Biomedical, Inc.**, Grafton, WI (US)

(**) Term: **14 Years**

(21) Appl. No.: **29/378,934**

(22) Filed: **Nov. 11, 2010**

(51) **LOC (9) Cl.** **24-02**

(52) **U.S. Cl.** **D24/145; D8/83**

(58) **Field of Classification Search** D24/145,
D24/133, 146-147; D8/83, 105, 107, 301,
D8/305, 307, 310, 312, 352, DIG. 1, DIG. 2;
D15/138; 81/439-440; 16/110.1, 412, 414,
16/441, 444, 446; 606/74, 86, 86 R, 293,
606/298, 279, 300

See application file for complete search history.

(56) **References Cited**

U.S. PATENT DOCUMENTS

5,214,987 A * 6/1993 Fenton, Sr. 81/460
D366,113 S * 1/1996 Morgan D24/145
D386,383 S * 11/1997 Lougee D8/310
5,702,399 A * 12/1997 Kilpela et al. 606/103
6,099,527 A * 8/2000 Hochschuler et al. 606/279
6,471,707 B1 * 10/2002 Miller et al. 606/77

D562,979 S * 2/2008 Doubler et al. D24/145
D587,555 S * 3/2009 Krumpe et al. D8/310
D589,147 S * 3/2009 Colleran et al. D24/145
7,824,428 B2 * 11/2010 Mikkonen et al. 606/300
7,959,654 B2 * 6/2011 Mazda et al. 606/74
D642,209 S * 7/2011 Kim D15/138
2011/0213422 A1 * 9/2011 Gannoe et al. 606/300

* cited by examiner

Primary Examiner — Wan Laymon

(74) *Attorney, Agent, or Firm* — Boyle Fredrickson, S.C.

(57) **CLAIM**

The ornamental design for a tool implement release collar, as shown and described.

DESCRIPTION

FIG. 1 is an isometric view of a tool implement release collar showing our new design;

FIG. 2 is an isometric view thereof;

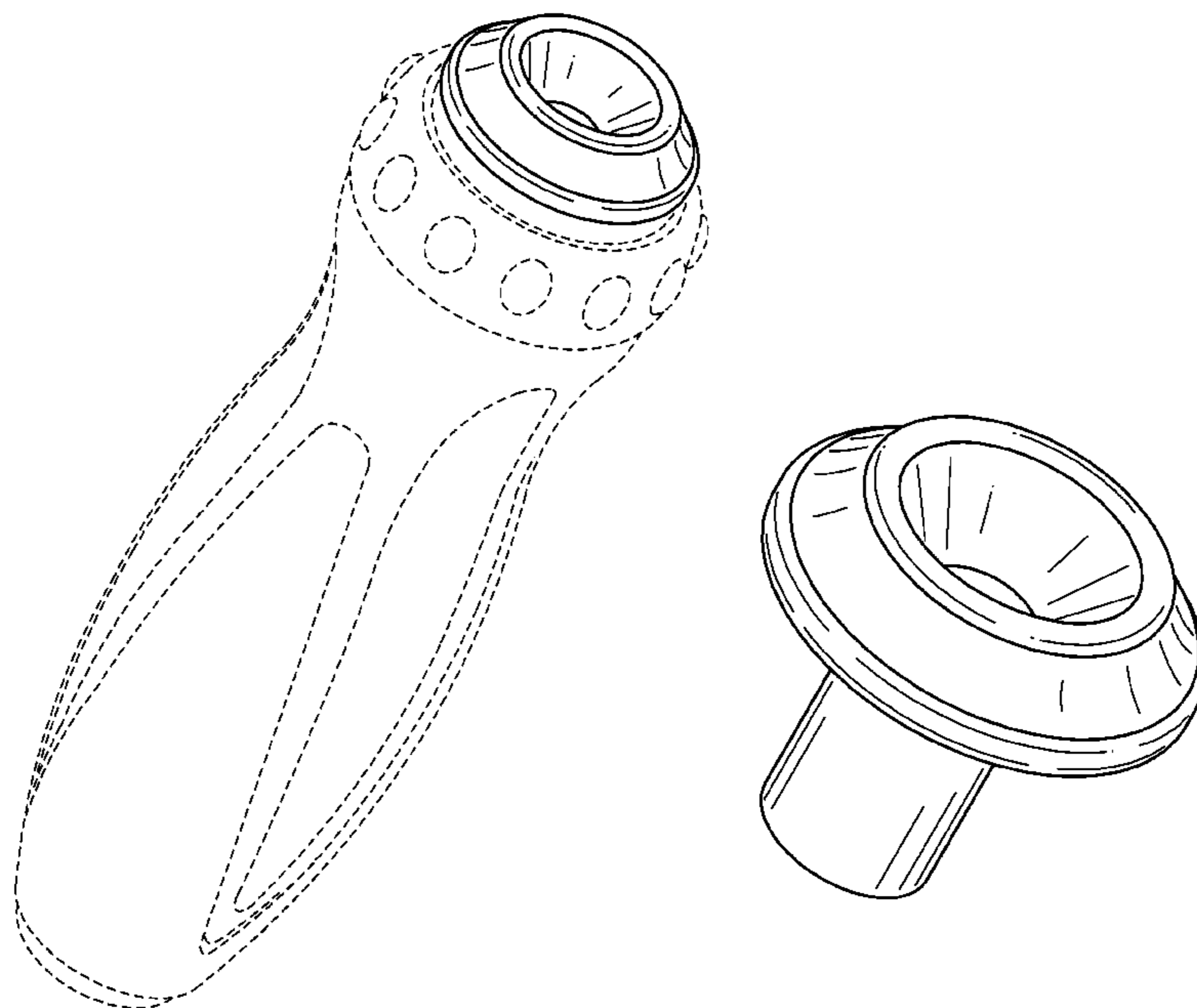
FIG. 3 is a front elevation view thereof;

FIG. 4 is a rear elevation view thereof; and,

FIG. 5 is a top plan view thereof, the bottom plan view, the right side elevation view and the left side elevation view each being a mirror image thereof.

The broken lines shown in FIGS. 1 and 4 represent portions of the tool implement release collar that form no part of the claimed design.

1 Claim, 5 Drawing Sheets



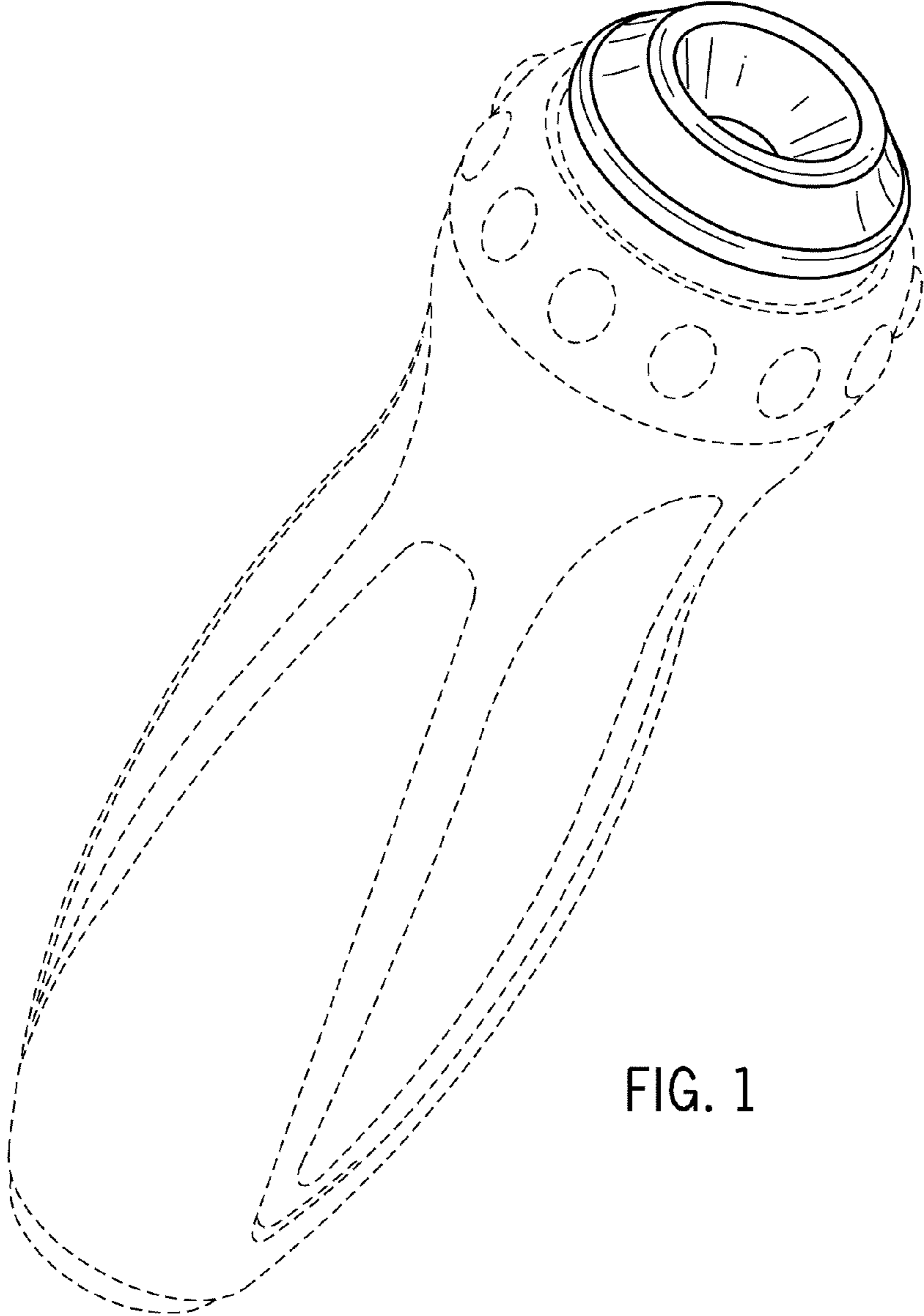


FIG. 1

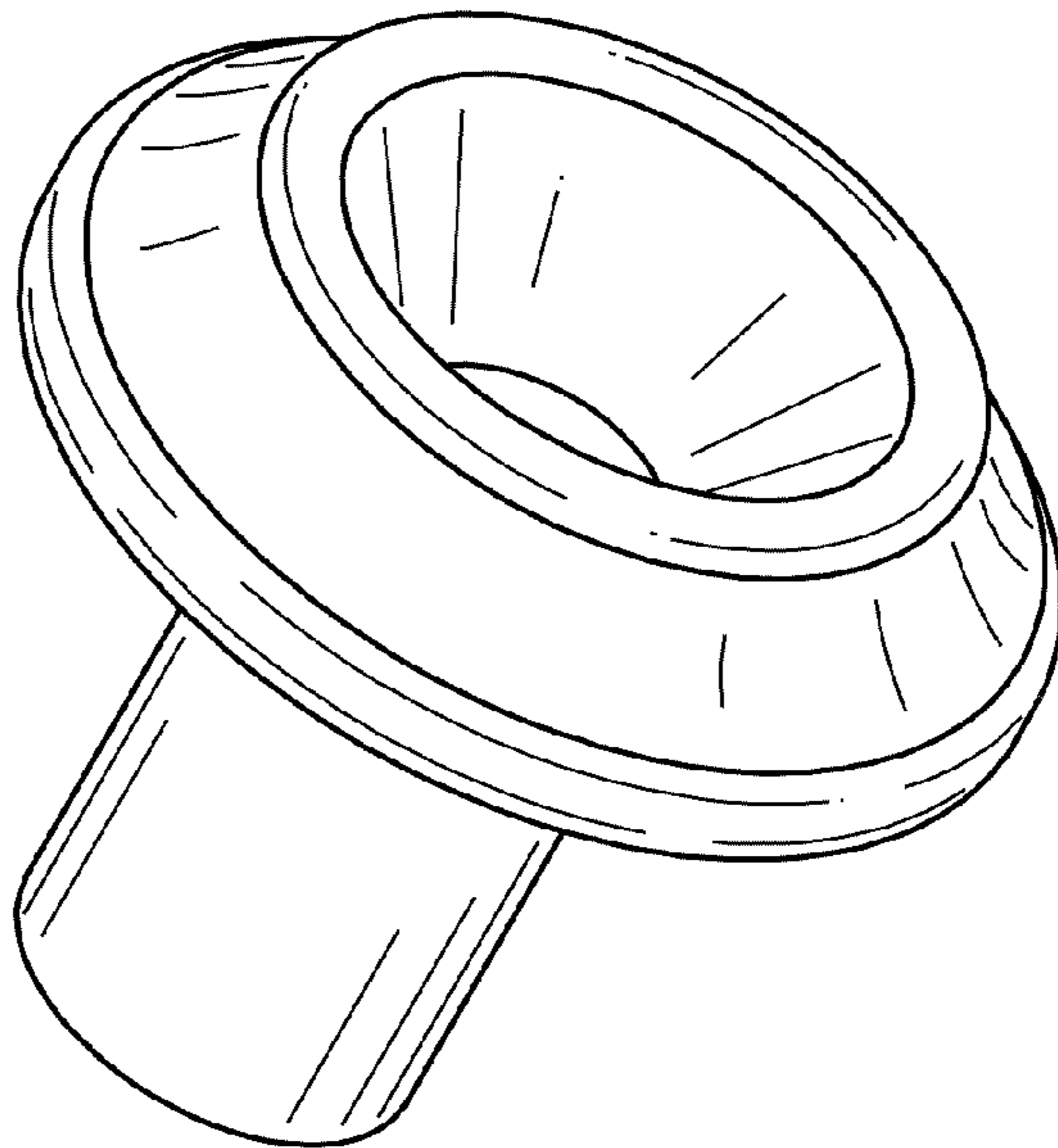


FIG. 2

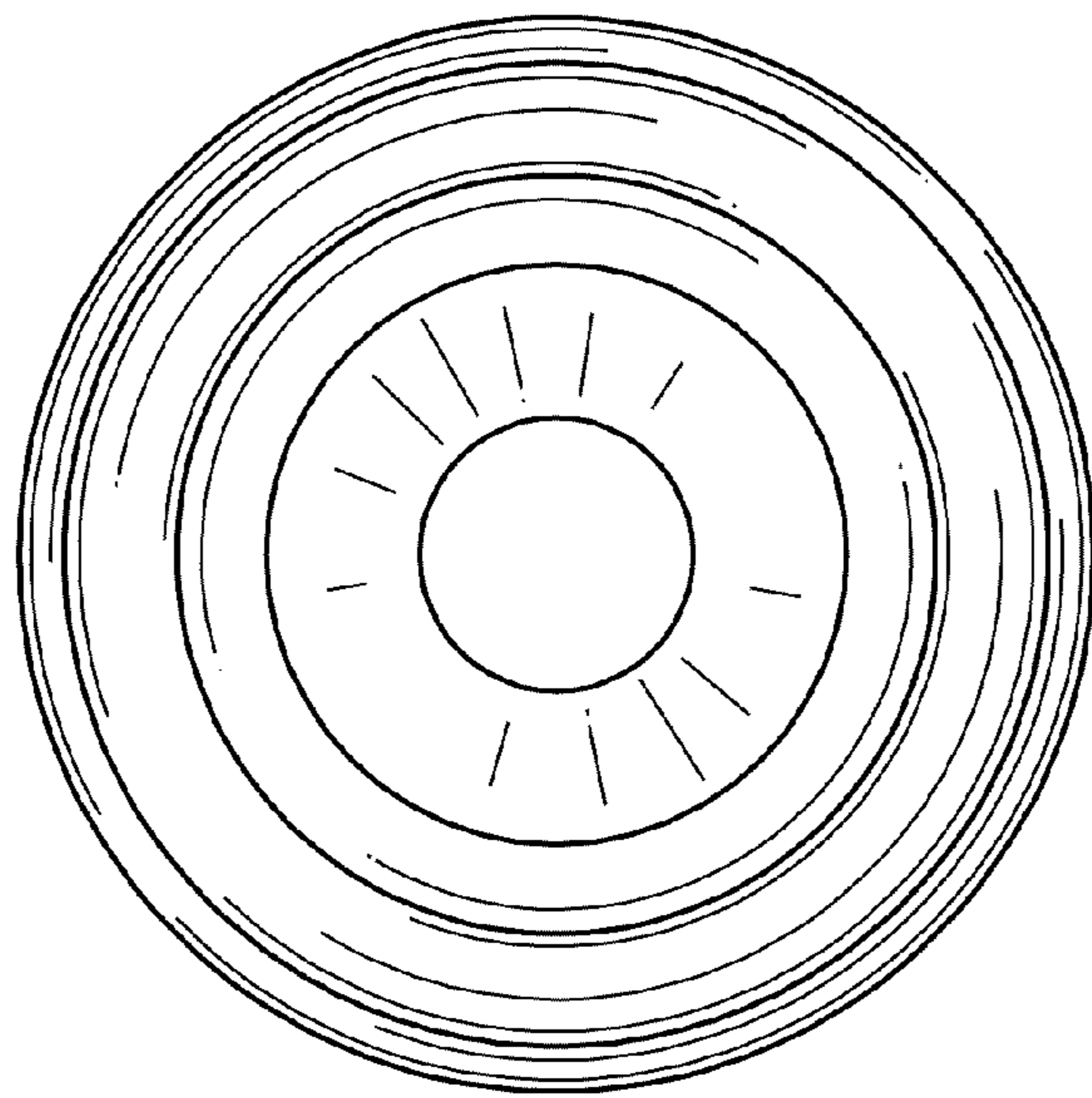


FIG. 3

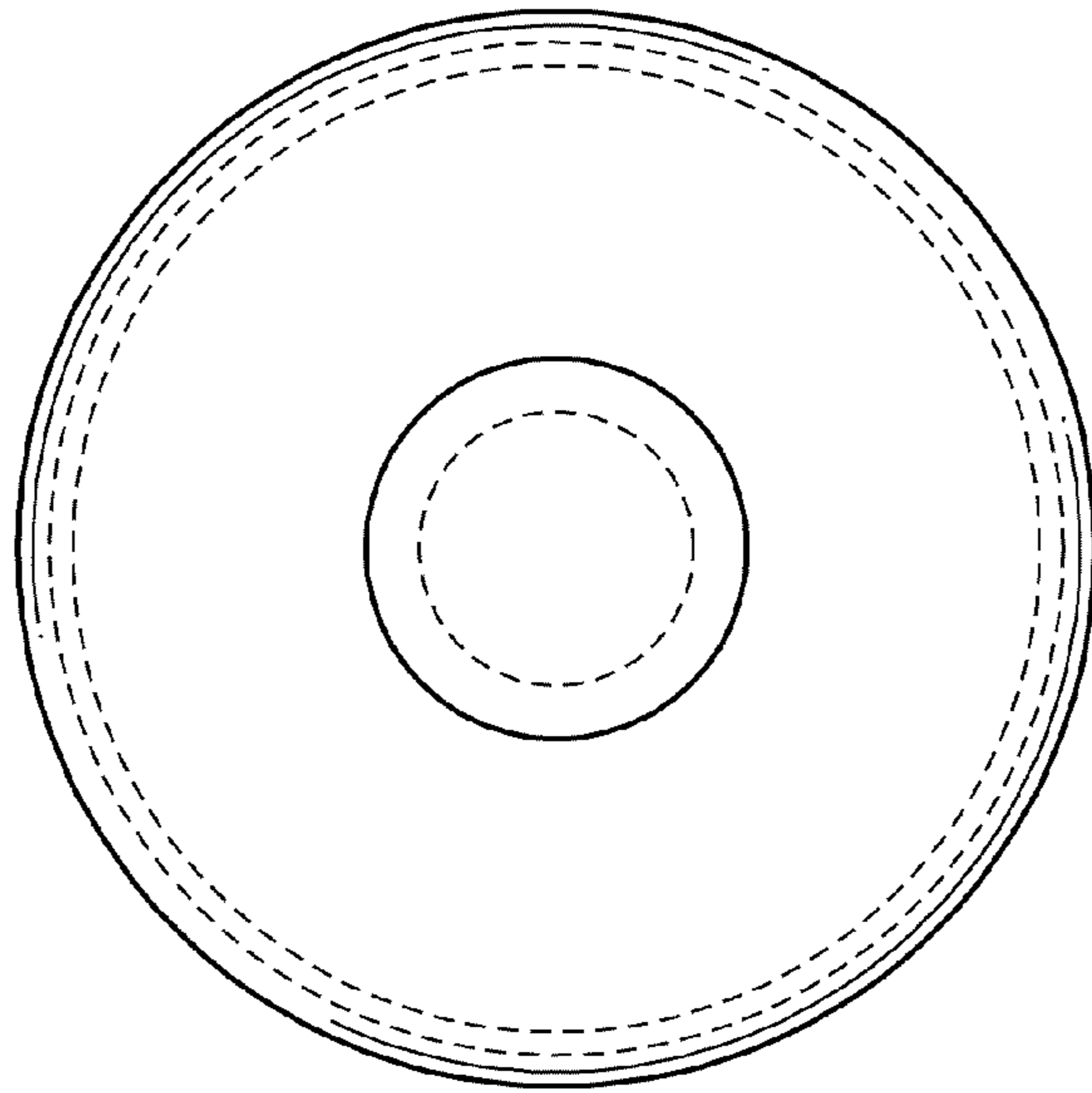


FIG. 4



FIG. 5

UNITED STATES PATENT AND TRADEMARK OFFICE
CERTIFICATE OF CORRECTION

PATENT NO. : D668,338 S
APPLICATION NO. : 29/378934
DATED : October 2, 2012
INVENTOR(S) : Robert Bast et al.

Page 1 of 1

It is certified that error appears in the above-identified patent and that said Letters Patent is hereby corrected as shown below:

On the Title Page

(73) Assignee: Delete "Gautheir" and insert therefor -- Gauthier --.

Signed and Sealed this
Thirty-first Day of January, 2017



Michelle K. Lee
Director of the United States Patent and Trademark Office