

US00D668335S

(12) **United States Design Patent**
Dale et al.

(10) **Patent No.:** **US D668,335 S**
(45) **Date of Patent:** **** Oct. 2, 2012**

- (54) **TISSUE CLAMPING MEMBER**
- (75) Inventors: **Theodore Paul Dale**, Corcoran, MN (US); **Richard J. Olson**, Blaine, MN (US)
- (73) Assignee: **St. Jude Medical, Inc.**, St. Paul, MN (US)
- (**) Term: **14 Years**
- (21) Appl. No.: **29/404,509**
- (22) Filed: **Oct. 21, 2011**
- (51) **LOC (9) Cl.** **24-02**
- (52) **U.S. Cl.** **D24/143**
- (58) **Field of Classification Search** D24/143, D24/133, 145-147; D28/55; D7/368, 668, D7/669, 675, 683-686; D8/4, 394; 294/99.2, 294/119; 606/1, 148, 151, 157, 205, 207, 606/210-211, 111, 142, 158
See application file for complete search history.

- D544,148 S * 6/2007 Bivona et al. D28/55
 - 7,494,501 B2 * 2/2009 Ahlberg et al. 606/207
 - 7,727,247 B2 * 6/2010 Kimura et al. 606/157
 - 7,862,581 B2 * 1/2011 Zeiner et al. 606/207
 - 7,901,420 B2 * 3/2011 Dunn 606/157
 - 8,091,936 B1 * 1/2012 Graziano 294/99.2
 - 8,147,506 B2 * 4/2012 Ortiz et al. 606/151
 - 8,167,896 B2 * 5/2012 Kassab et al. 606/142
- * cited by examiner

Primary Examiner — Wan Laymon
(74) *Attorney, Agent, or Firm* — Lerner, David, Littenberg, & Krumholz & Mentlik, LLP

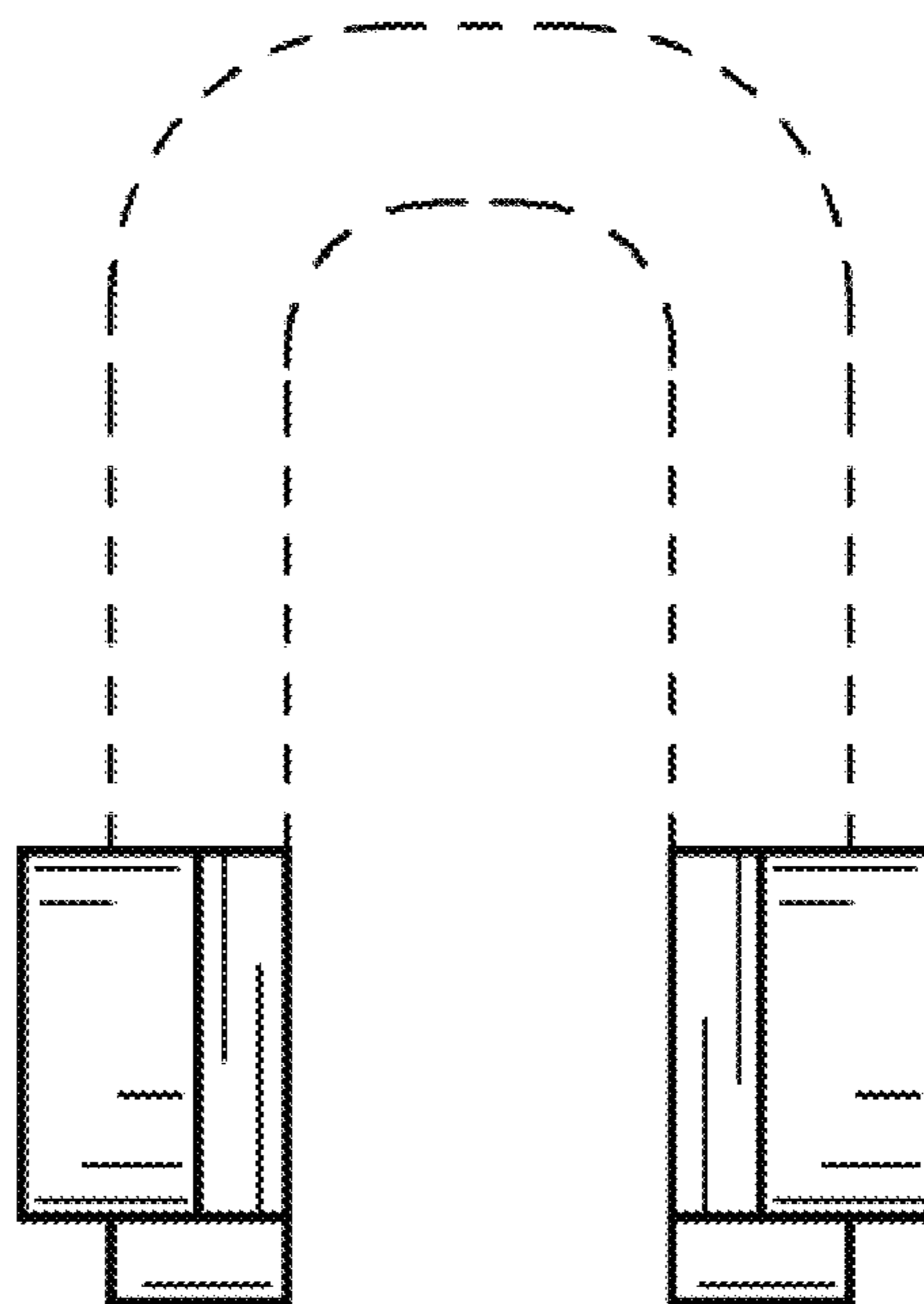
(57) **CLAIM**
The ornamental design for a tissue clamping member, as shown and described.

DESCRIPTION

FIG. 1 is a top perspective view of a tissue clamping member showing our new design;
FIG. 2 is a right side view thereof, the left side view being a mirror image of the right side view;
FIG. 3 is a front view thereof;
FIG. 4 is a rear view thereof;
FIG. 5 is a top plan view thereof; and,
FIG. 6 is a bottom plan view thereof.
The broken lines in the drawings are for illustrative purposes only and form no part of the claimed design.

1 Claim, 3 Drawing Sheets

- (56) **References Cited**
- U.S. PATENT DOCUMENTS
- 4,360,023 A * 11/1982 Sugita et al. 606/158
- 4,671,281 A * 6/1987 Beroff et al. 606/111
- 5,906,625 A * 5/1999 Bito et al. 606/142
- D485,359 S * 1/2004 McMichael et al. D24/143



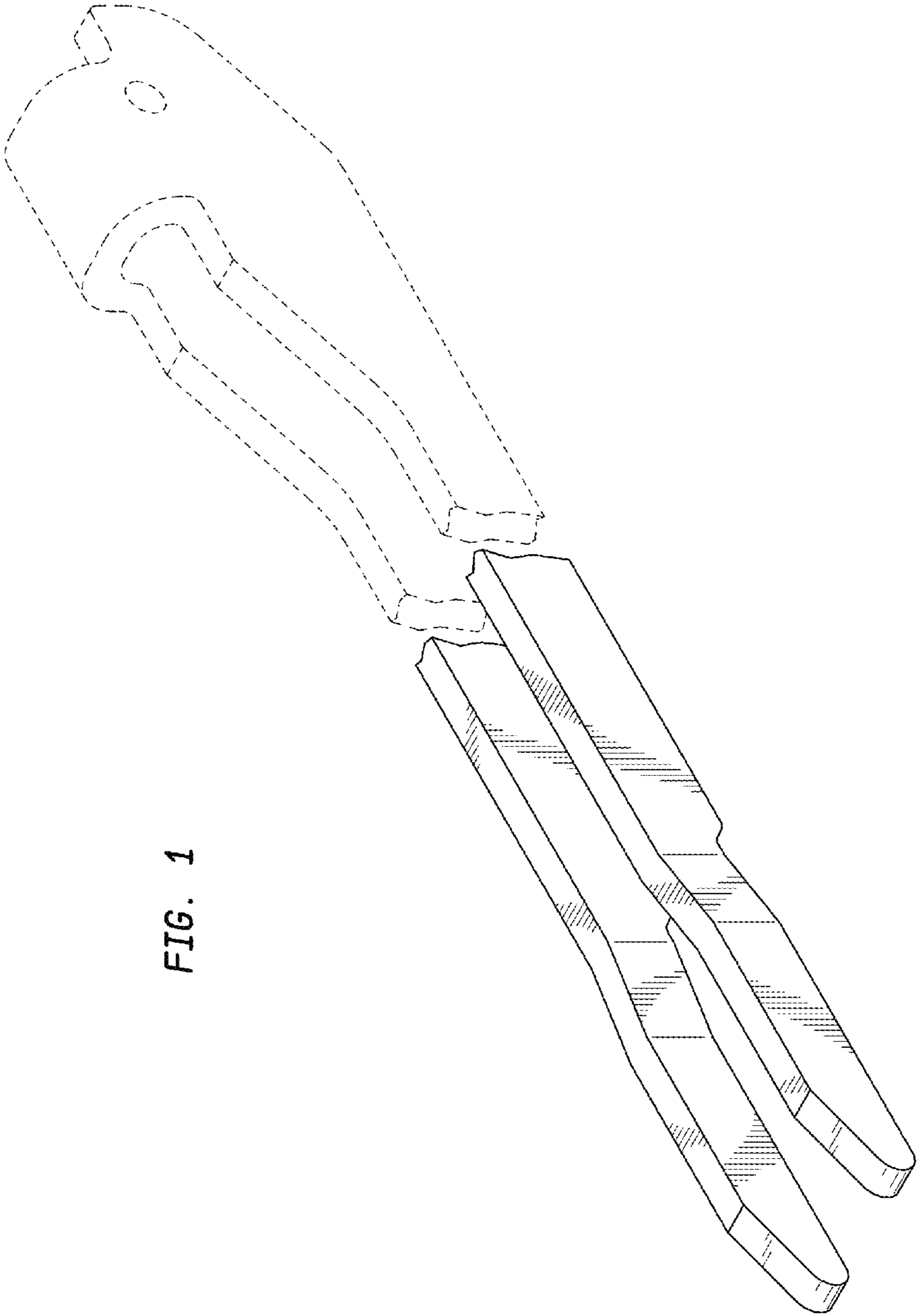


FIG. 1

FIG. 2

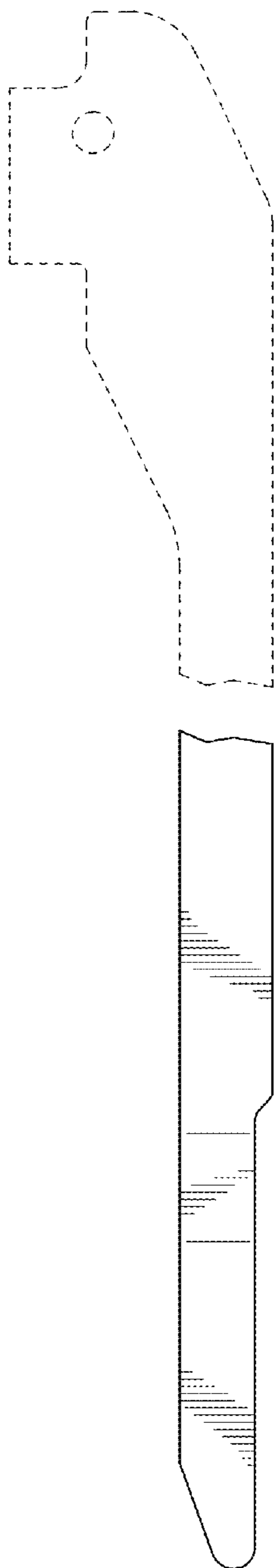


FIG. 3

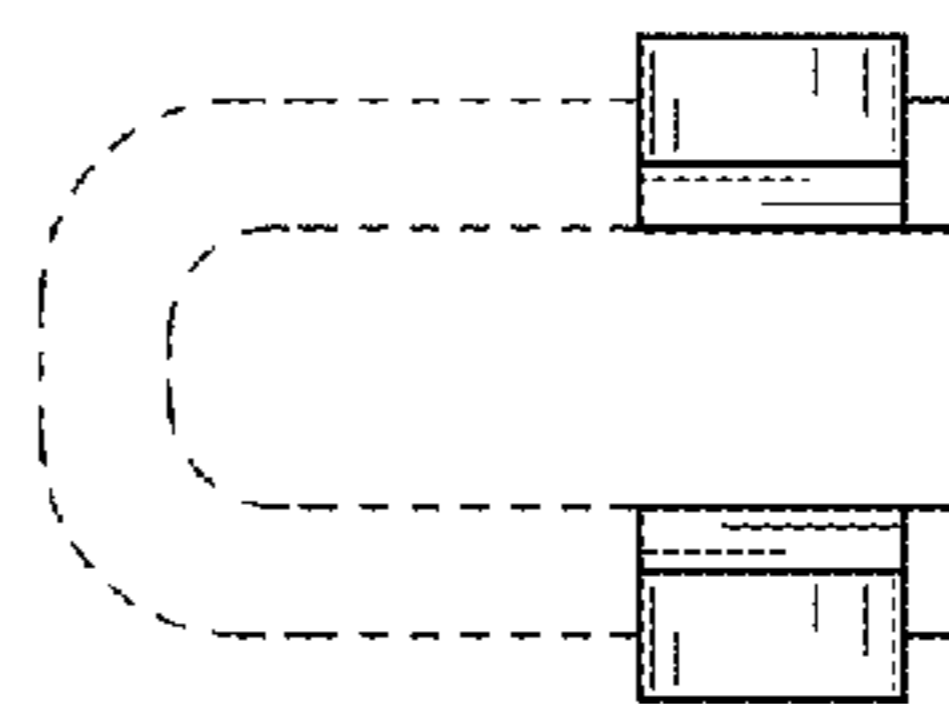


FIG. 4

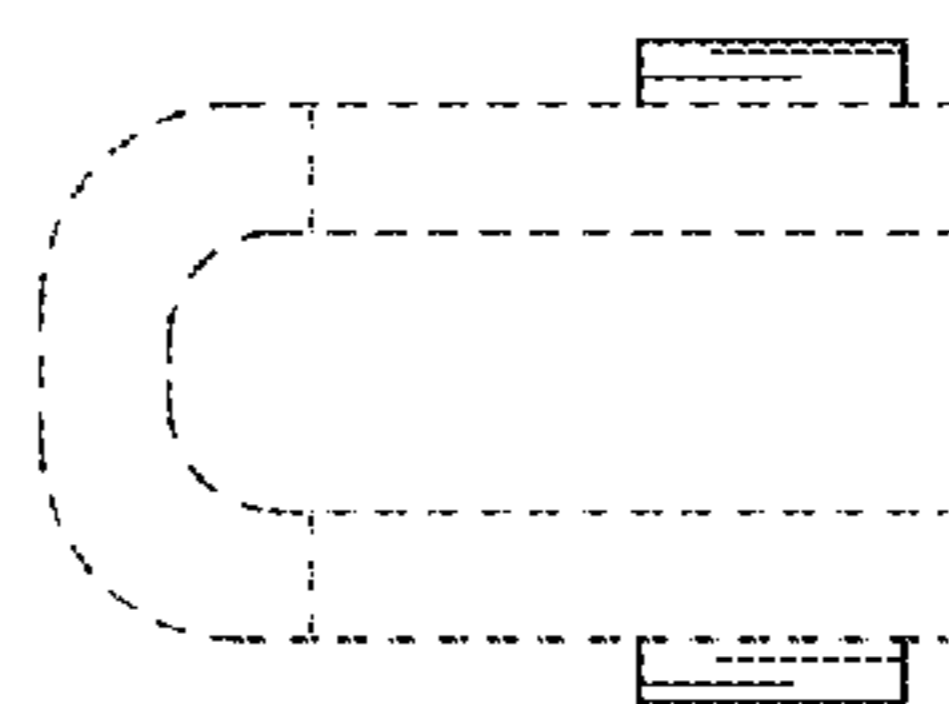


FIG. 5

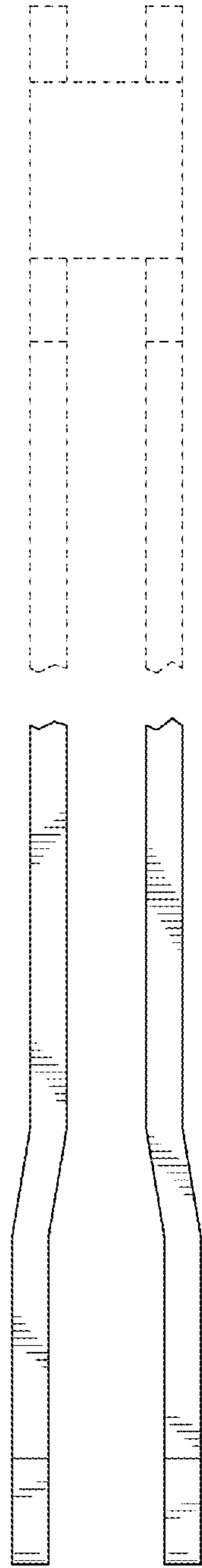


FIG. 6

