



US00D668334S

(12) **United States Design Patent**  
**Makowski et al.**

(10) **Patent No.:** **US D668,334 S**

(45) **Date of Patent:** **\*\* Oct. 2, 2012**

(54) **HANDLE FOR MEDICAL DEVICE**

(75) Inventors: **Thomas Makowski**, Messstetten (DE);  
**Tönis Pilvisto**, Kõla (EE); **Viktor Josef Wimmer**, Seon (DE)

(73) Assignee: **Karl Storz GmbH & Co. KG**,  
Tuttlingen (DE)

(\*\*) Term: **14 Years**

(21) Appl. No.: **29/403,058**

(22) Filed: **Sep. 30, 2011**

(30) **Foreign Application Priority Data**

Mar. 31, 2011 (EM) ..... 001844184-0013

(51) **LOC (9) Cl.** ..... **24-02**

(52) **U.S. Cl.** ..... **D24/138**

(58) **Field of Classification Search** ..... D24/138,  
D24/137, 133; 600/101-183

See application file for complete search history.

(56) **References Cited**

**U.S. PATENT DOCUMENTS**

6,554,765	B1 *	4/2003	Yarush et al.	600/132
D481,125	S *	10/2003	Hayamizu	D24/138
D490,898	S *	6/2004	Hayamizu	D24/138
D497,428	S *	10/2004	Hayamizu	D24/138
D498,533	S *	11/2004	Hayamizu	D24/138
D534,656	S *	1/2007	Pilvisto et al.	D24/138
D581,051	S *	11/2008	Melder	D24/138

D593,674	S *	6/2009	Fedenia et al.	D24/108
D619,709	S *	7/2010	Schölly	D24/138
D630,728	S *	1/2011	Dombrowski et al.	D24/111
D639,428	S *	6/2011	Yasue et al.	D24/137
2009/0167847	A1 *	7/2009	Doi	348/65
2010/0056863	A1 *	3/2010	Dejima et al.	600/106

\* cited by examiner

*Primary Examiner* — Bridget L Eland

(74) *Attorney, Agent, or Firm* — Muncy, Geissler, Olds & Lowe, PLLC

(57) **CLAIM**

The ornamental design for a handle for medical device, as shown and described.

**DESCRIPTION**

FIG. 1 is a left side elevational view of a medical device according to the present invention;

FIG. 2 is a right side elevational view of the medical device of FIG. 1;

FIG. 3 is a front elevational view of the medical device of FIG. 1;

FIG. 4 is a rear elevational view of the medical device of FIG. 1;

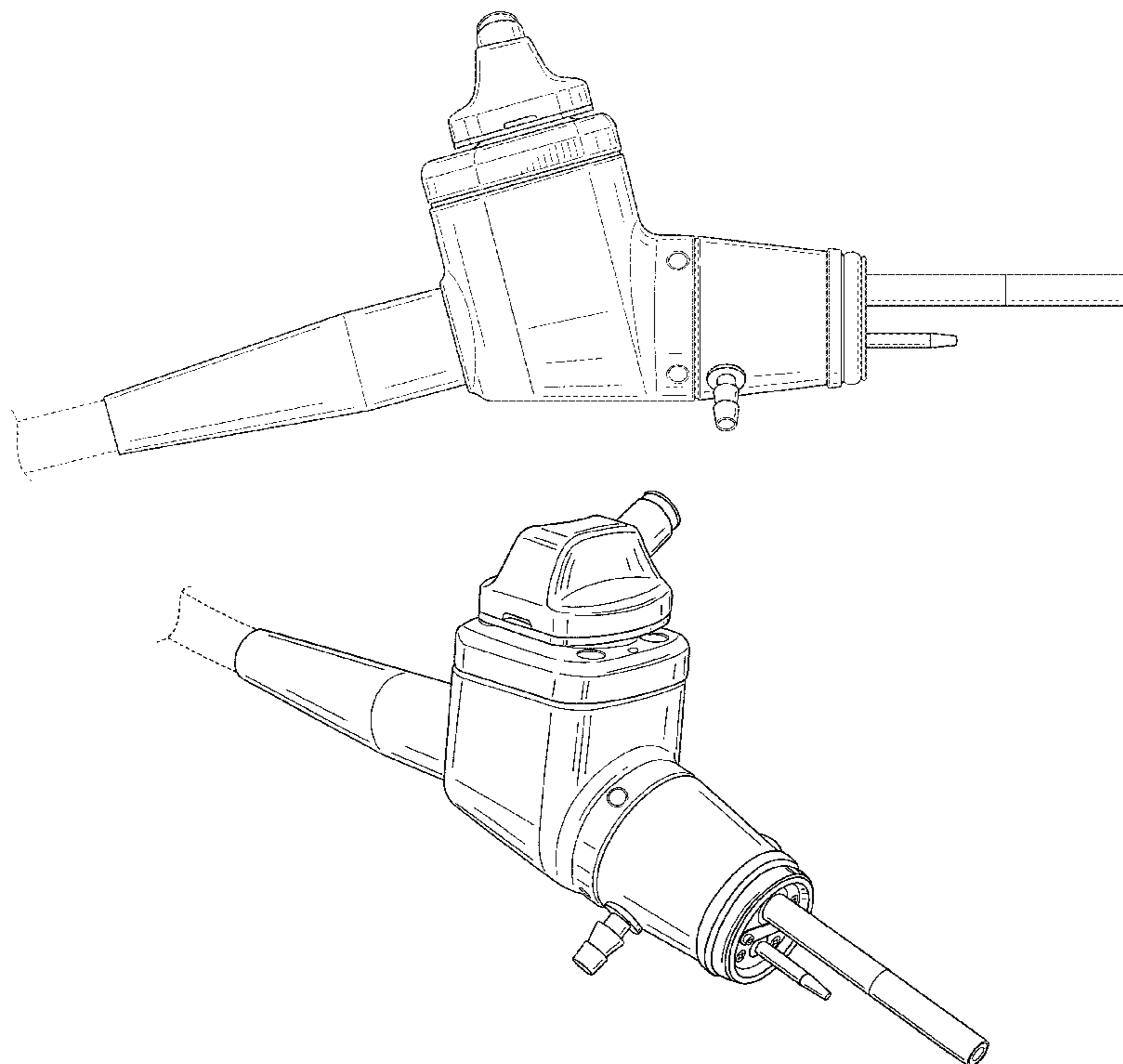
FIG. 5 is a top plan view of the medical device of FIG. 1;

FIG. 6 is a bottom plan view of the medical device of FIG. 1; and,

FIG. 7 is a three quarter view of the medical device of FIG. 1.

The broken lines immediately adjacent the claimed areas represent the bounds of the claimed design while all other broken lines are directed to environment and are for illustrative purposes only; the broken lines form no part of the claimed design.

**1 Claim, 6 Drawing Sheets**



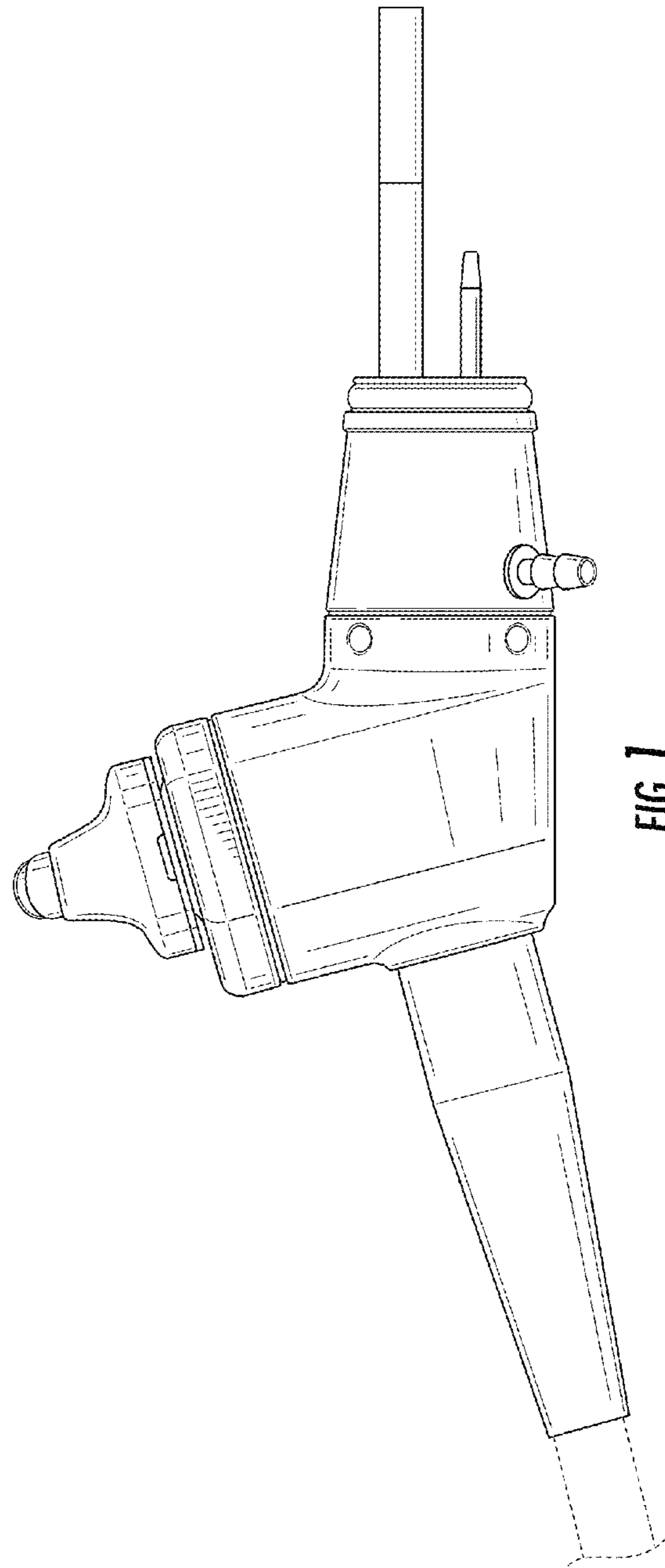


FIG. 1

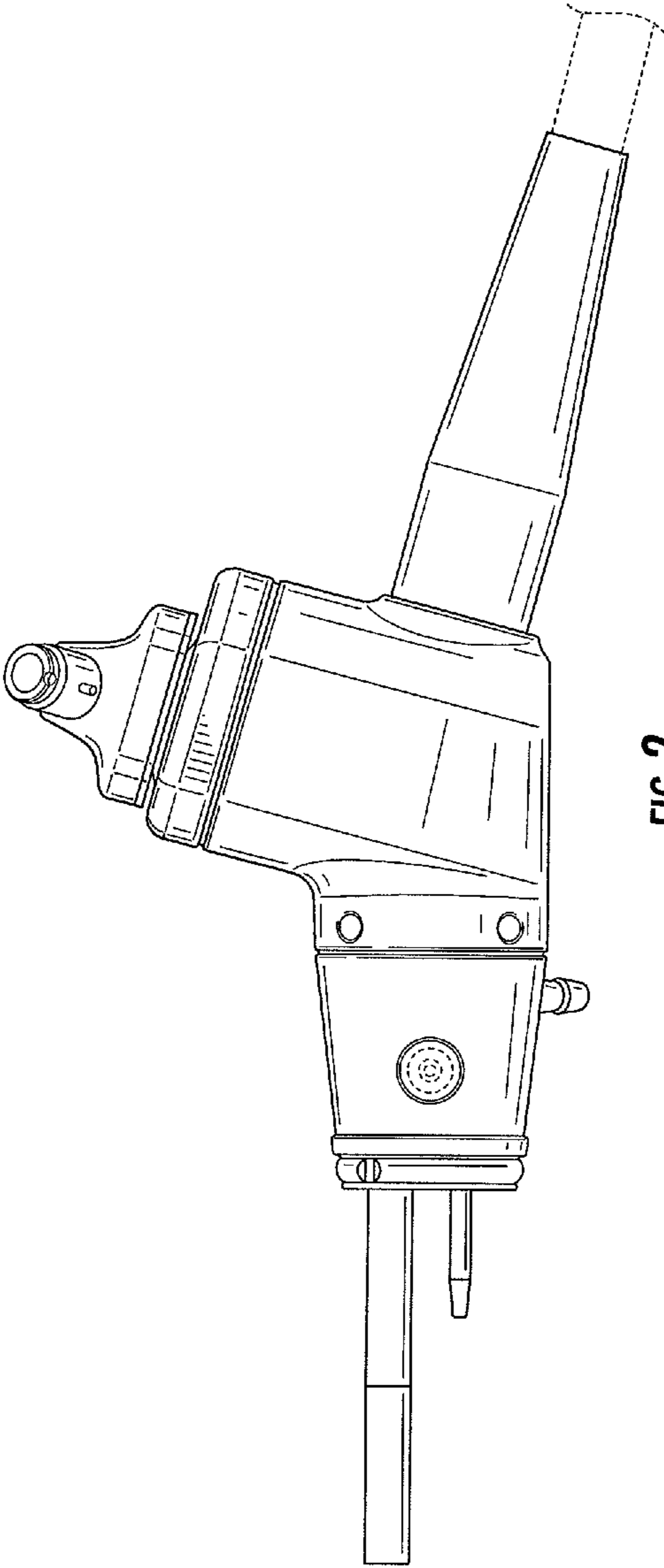


FIG. 2

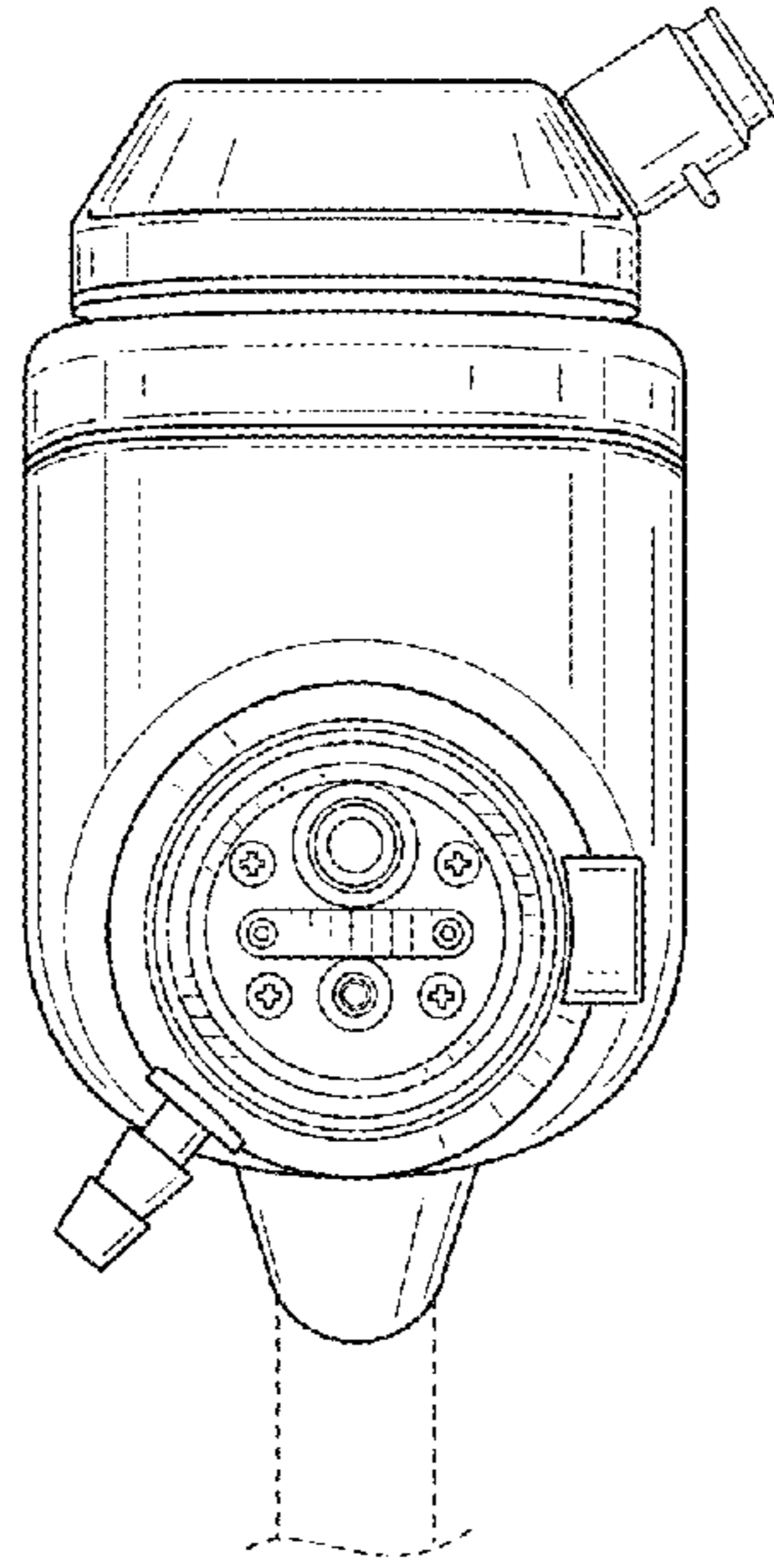


FIG. 3

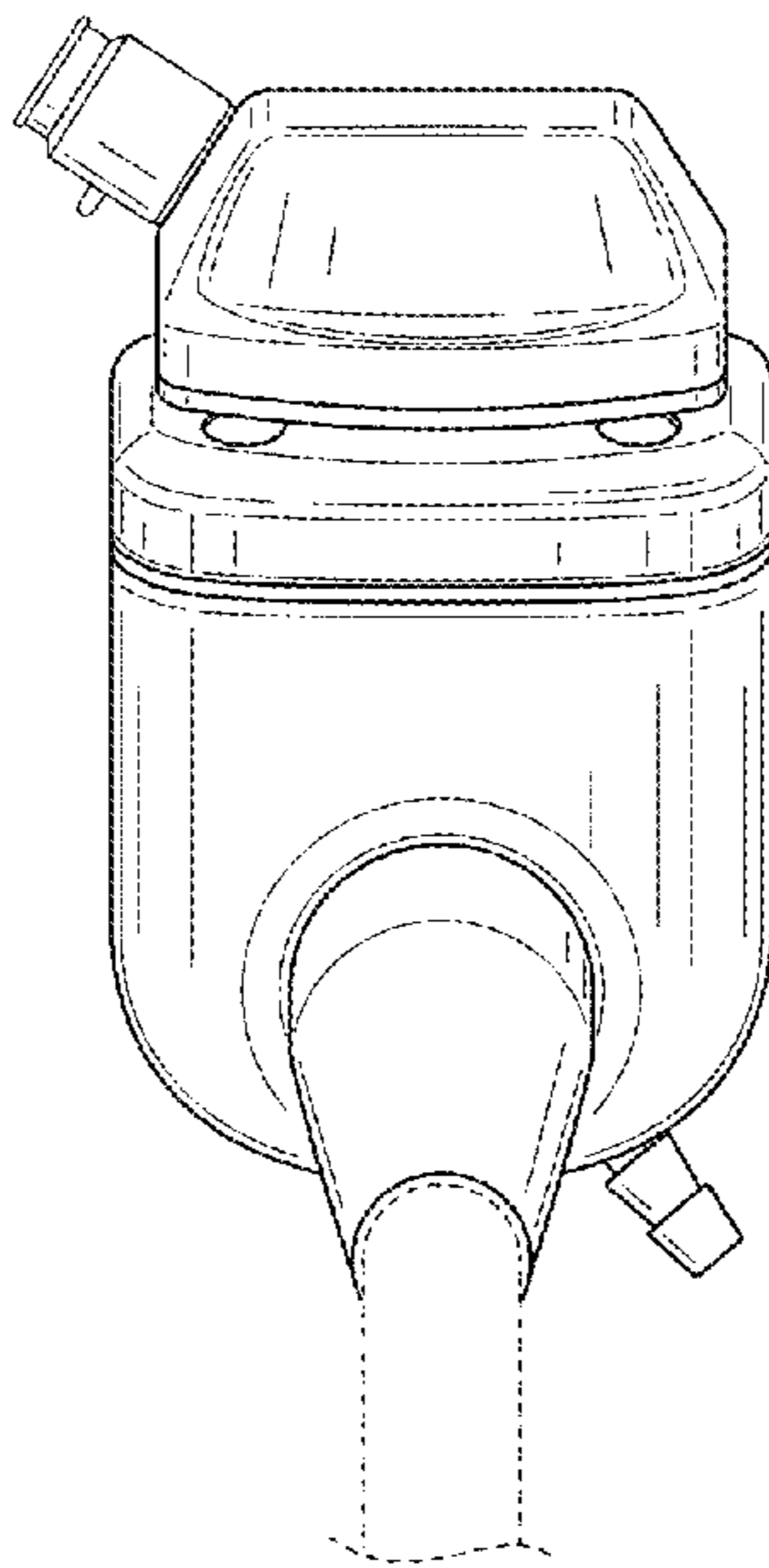


FIG. 4

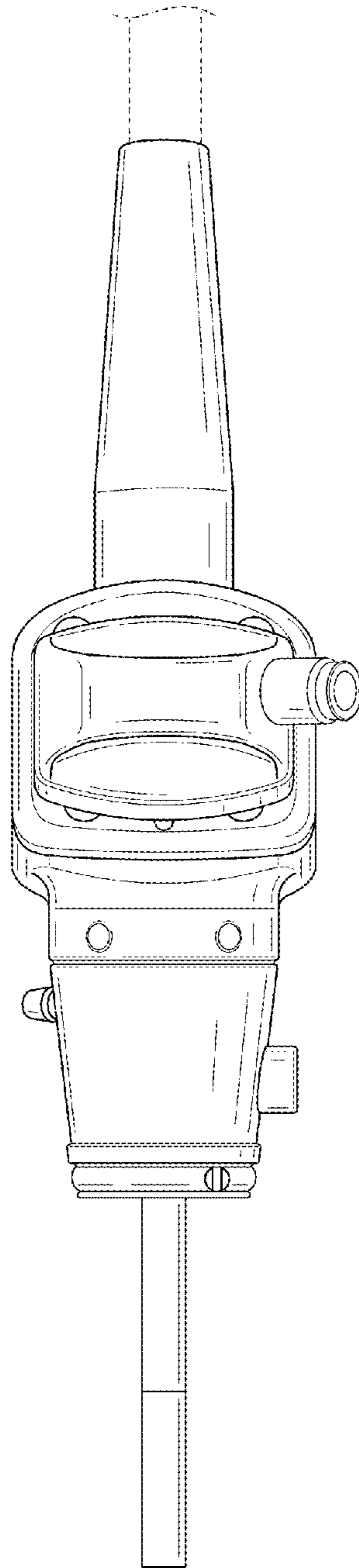


FIG. 5

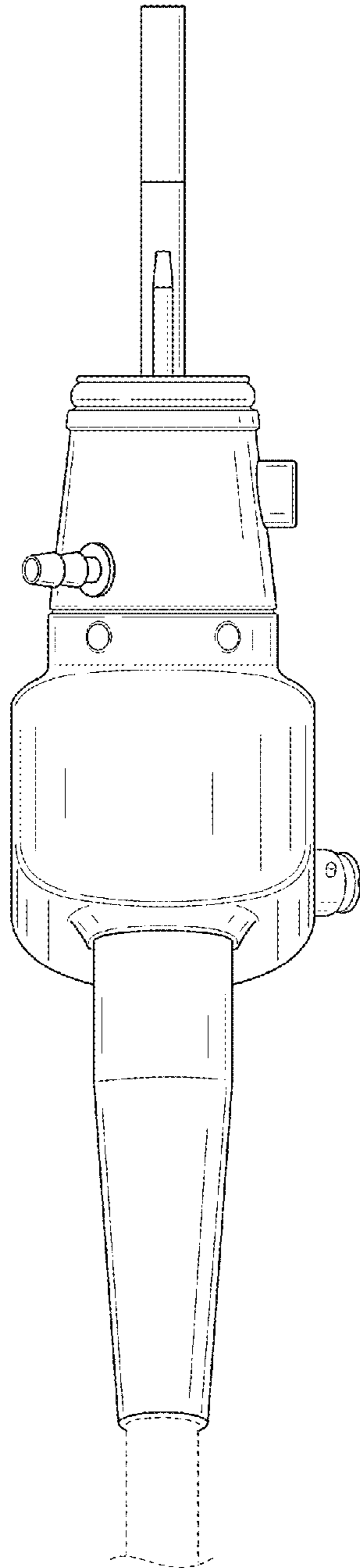


FIG. 6

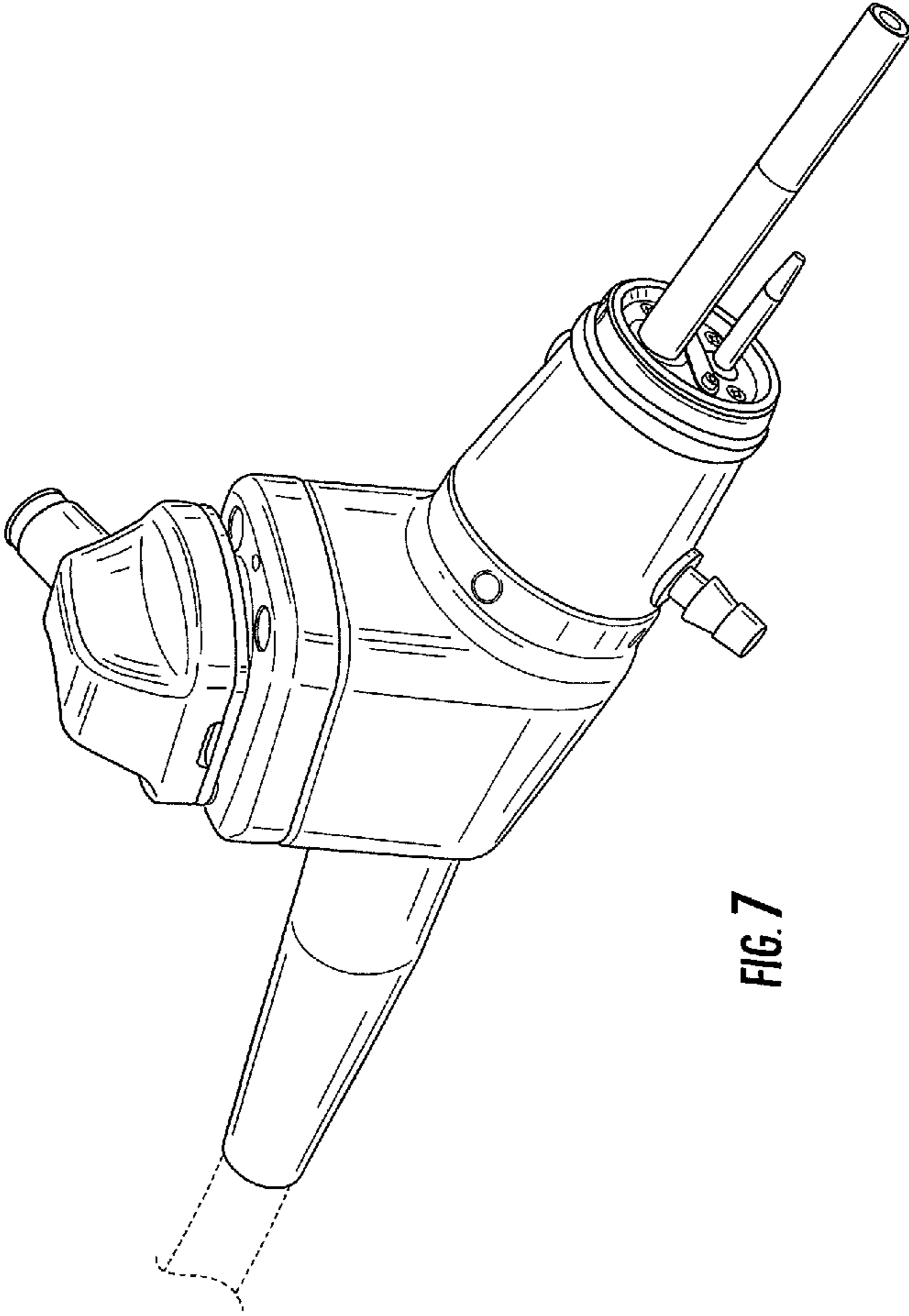


FIG. 7