

US00D668331S

(12) **United States Design Patent**  
**Ren et al.**

(10) **Patent No.:** **US D668,331 S**  
(45) **Date of Patent:** **\*\* Oct. 2, 2012**

(54) **SURGICAL BOWL**

(75) Inventors: **XingQuan (Peter) Ren**, Chicago, IL  
(US); **Brian Anthony Foley**, Barrington,  
IL (US)

(73) Assignee: **Medline Industries, Inc.**, Mundelein, IL  
(US)

(\*\*) Term: **14 Years**

(21) Appl. No.: **29/363,403**

(22) Filed: **Jun. 9, 2010**

(51) **LOC (9) Cl.** ..... **24-04**

(52) **U.S. Cl.** ..... **D24/123**

(58) **Field of Classification Search** ..... D24/121-123,  
D24/117, 224; D23/276, 295, 302, 274,  
D23/309, 200; 4/450-460, 144.1-144.4,  
4/DIG. 5; 600/573, 574; 604/329, 317-325,  
604/334; D27/127; 242/588.6; D32/53  
See application file for complete search history.

(56) **References Cited**

**U.S. PATENT DOCUMENTS**

D287,404 S *	12/1986	Johansson et al. ....	D24/121
4,915,216 A	4/1990	Magers	
4,936,448 A	6/1990	Holloway	
D397,295 S *	8/1998	Shelton-Ferrell .....	D24/224
D421,129 S *	2/2000	Haynes .....	D24/224

433,130 A	10/2000	Cude et al.	
D433,130 S *	10/2000	Cude et al. ....	D24/121
6,691,946 B2 *	2/2004	Dannecker et al. ....	242/588.6
D490,707 S *	6/2004	Mataya .....	D24/224
D505,225 S *	5/2005	Pavic .....	D27/125
D544,669 S *	6/2007	Casteel et al. ....	D32/53
D568,989 S *	5/2008	Kammer et al. ....	D24/123
D569,970 S *	5/2008	Kammer et al. ....	D24/123
D578,654 S *	10/2008	Chianea .....	D24/224
D597,203 S *	7/2009	Tauer .....	D24/121
D605,754 S *	12/2009	Nelson et al. ....	D24/121

\* cited by examiner

*Primary Examiner* — David Muller

(74) *Attorney, Agent, or Firm* — David S. Noskowicz

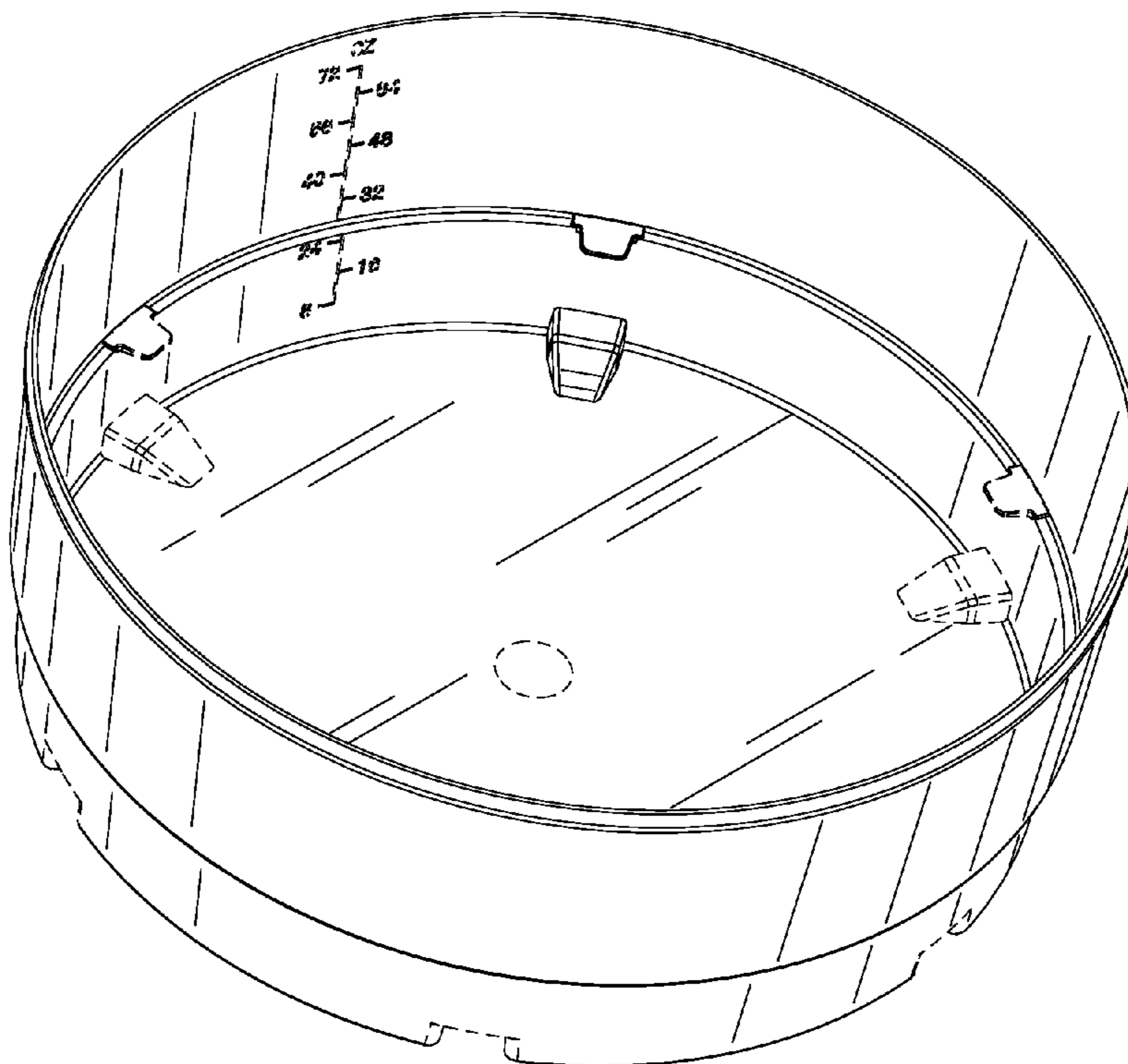
(57) **CLAIM**

The ornamental design for a surgical bowl, as shown and described.

**DESCRIPTION**

FIG. 1 is a first perspective view of a surgical bowl.  
FIG. 2 is a second perspective view thereof.  
FIG. 3 is a top view thereof.  
FIG. 4 is a bottom view thereof.  
FIG. 5 is a first side view thereof; and,  
FIG. 6 is a second side view thereof.  
The broken lines shown in the drawings are included for the purpose of illustrating environmental elements only and form no part of the claimed design.

**1 Claim, 5 Drawing Sheets**



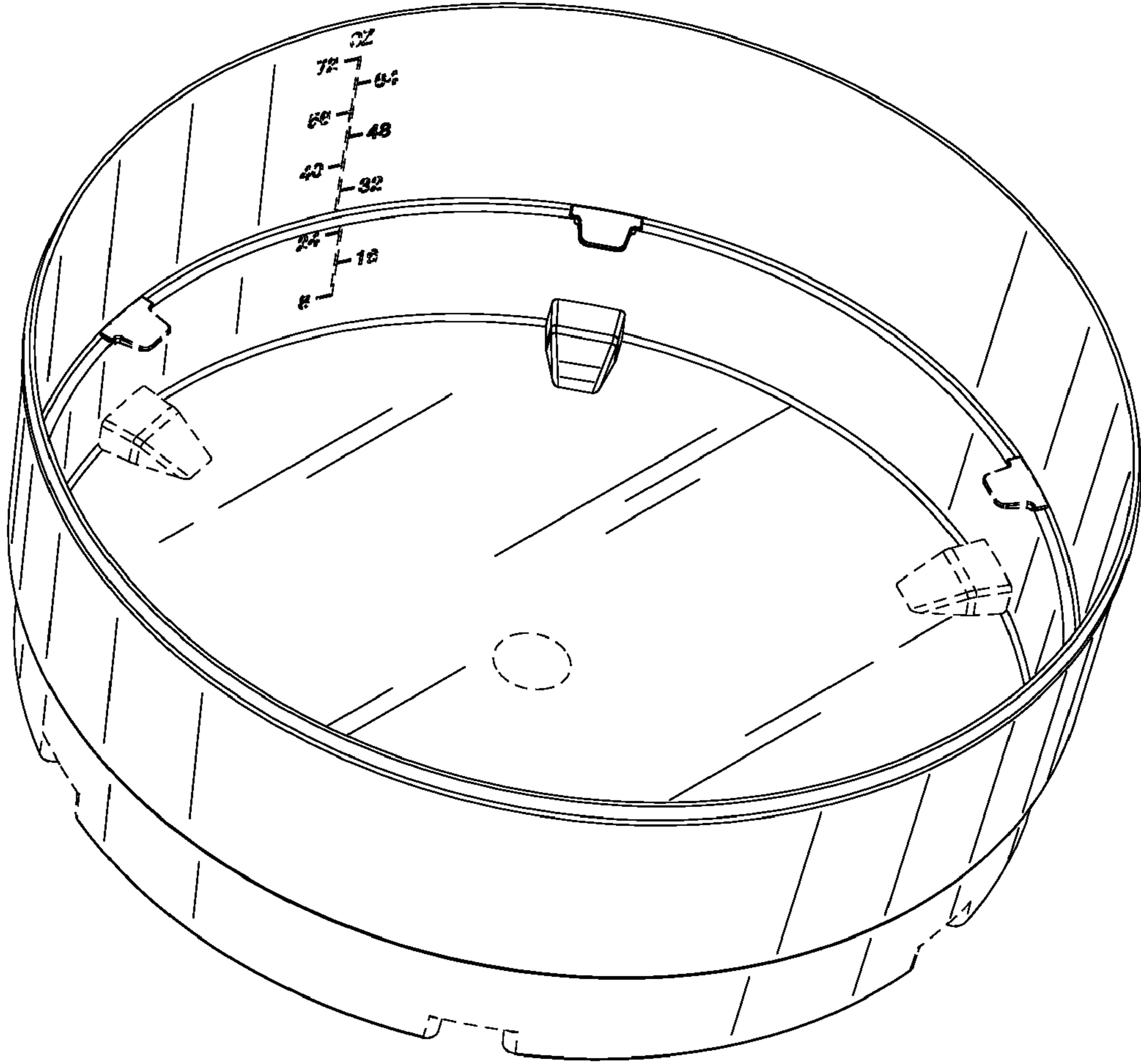


FIG. 1

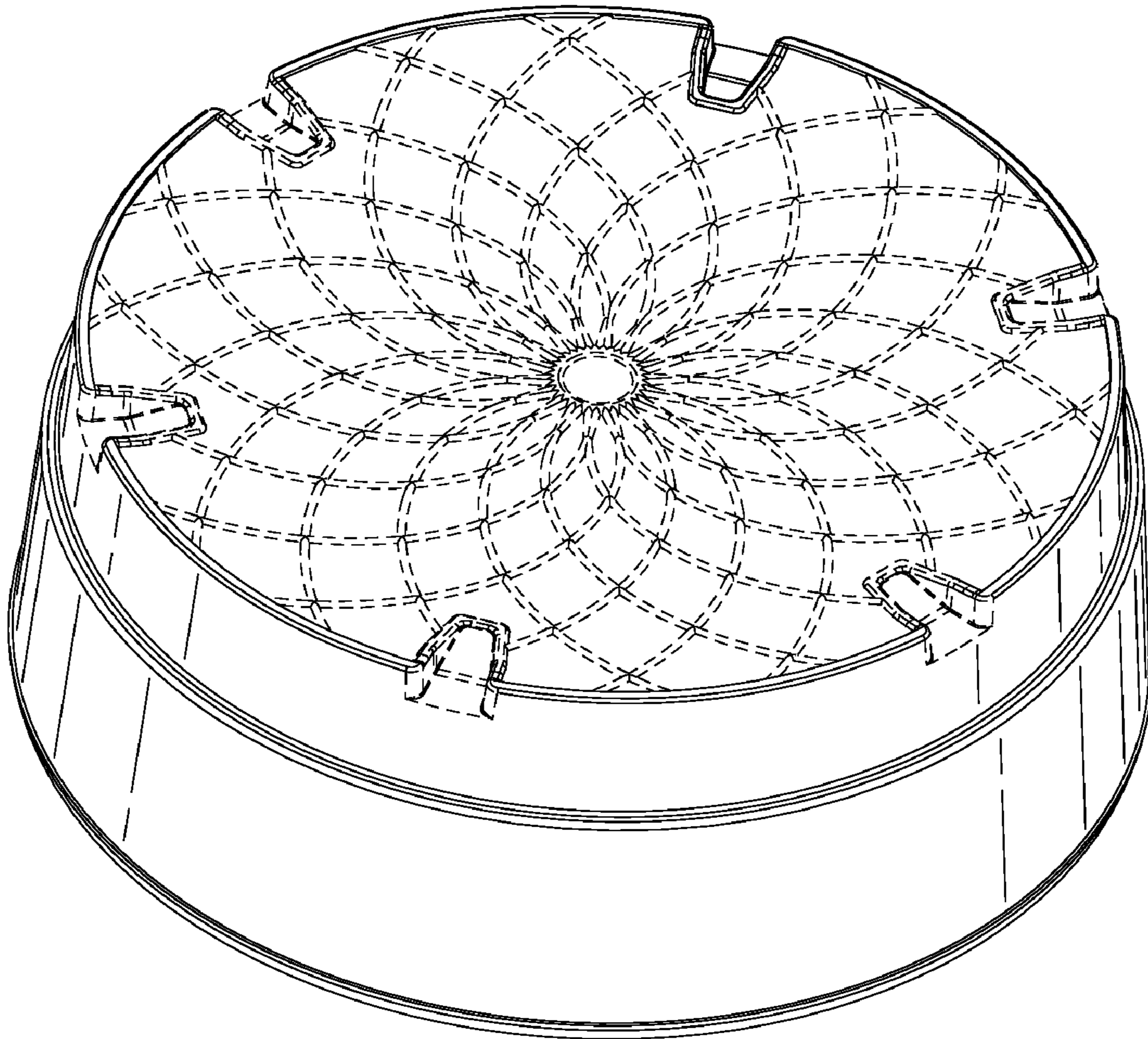


FIG. 2



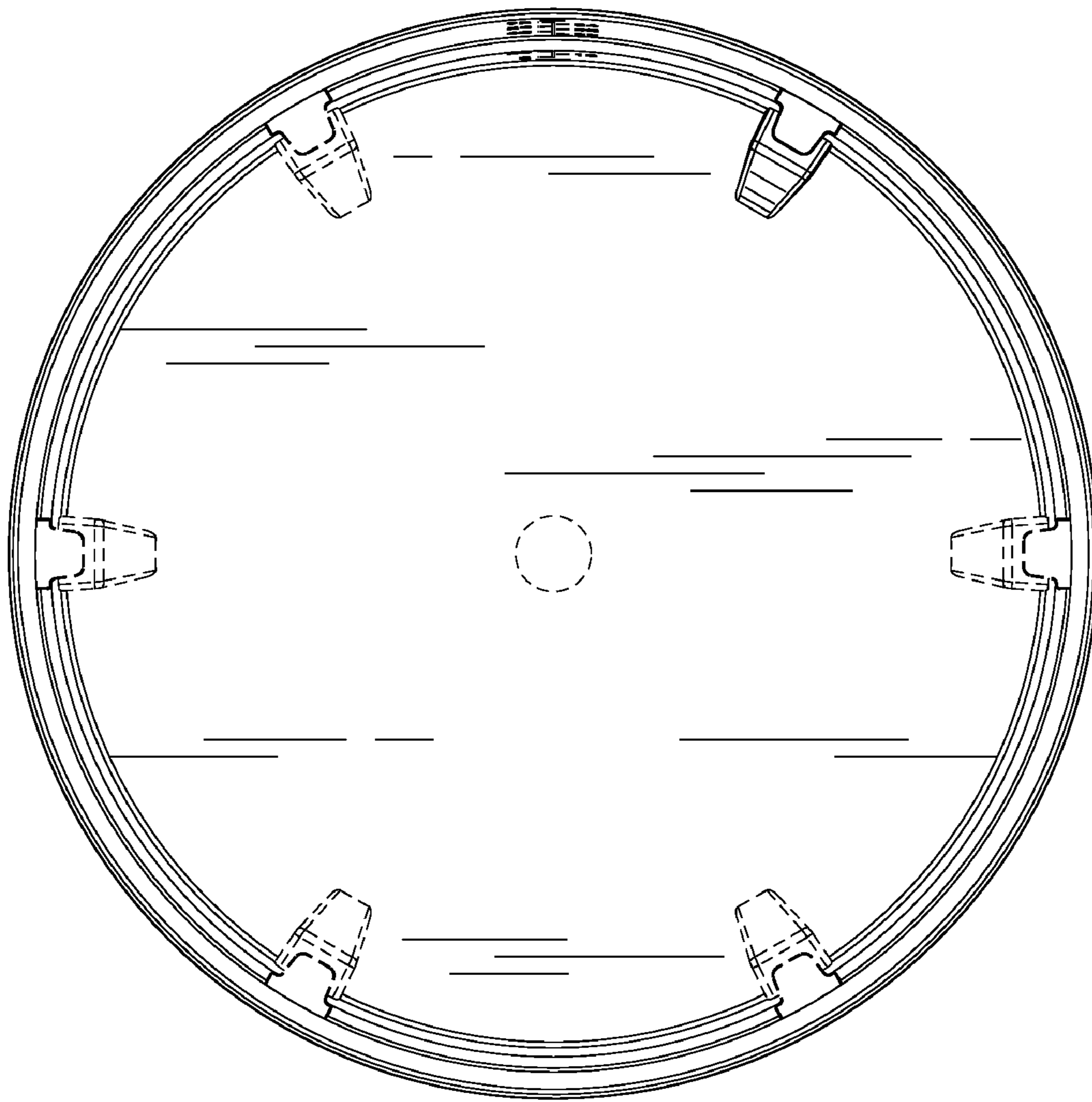


FIG. 3

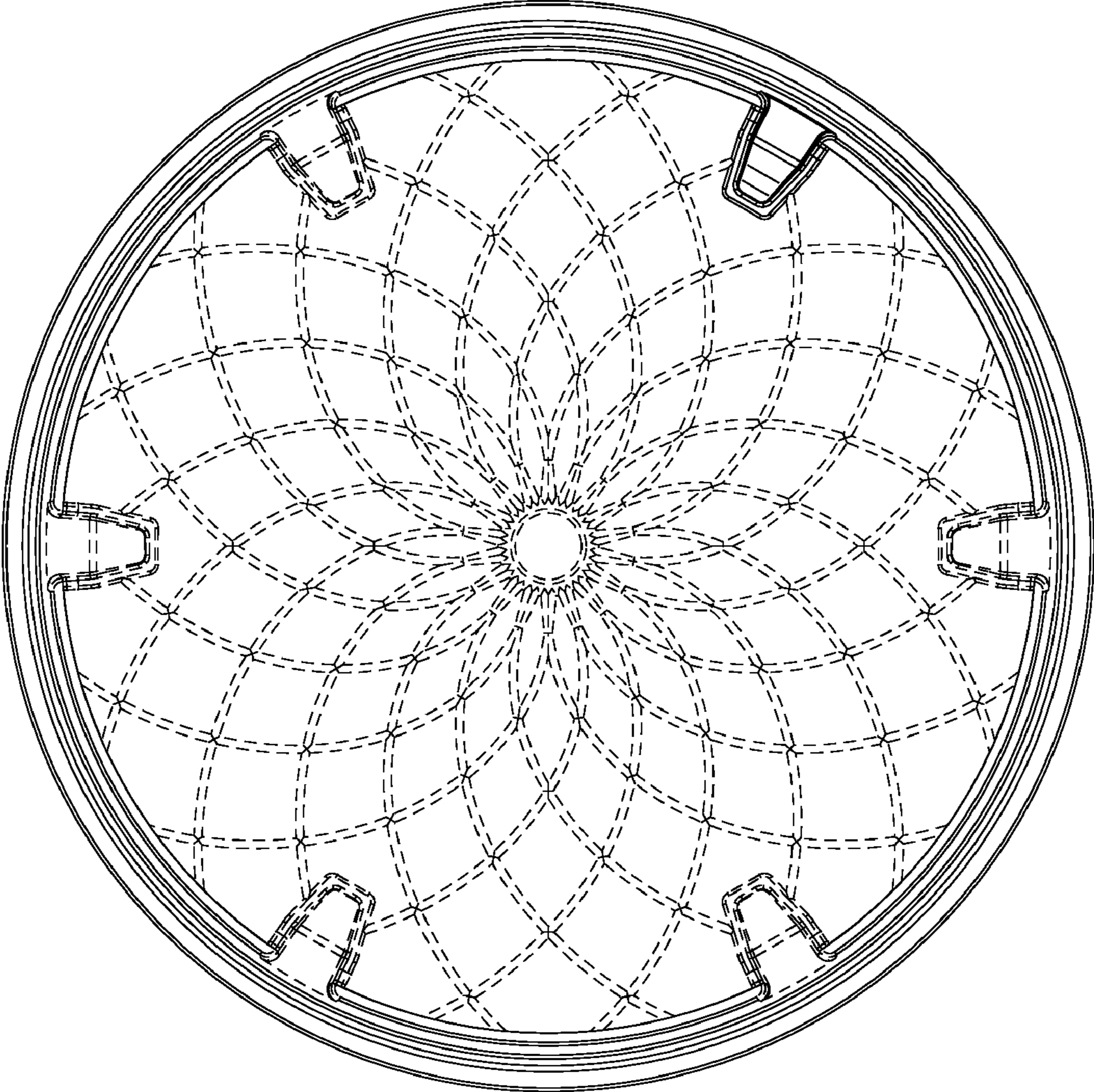


FIG. 4

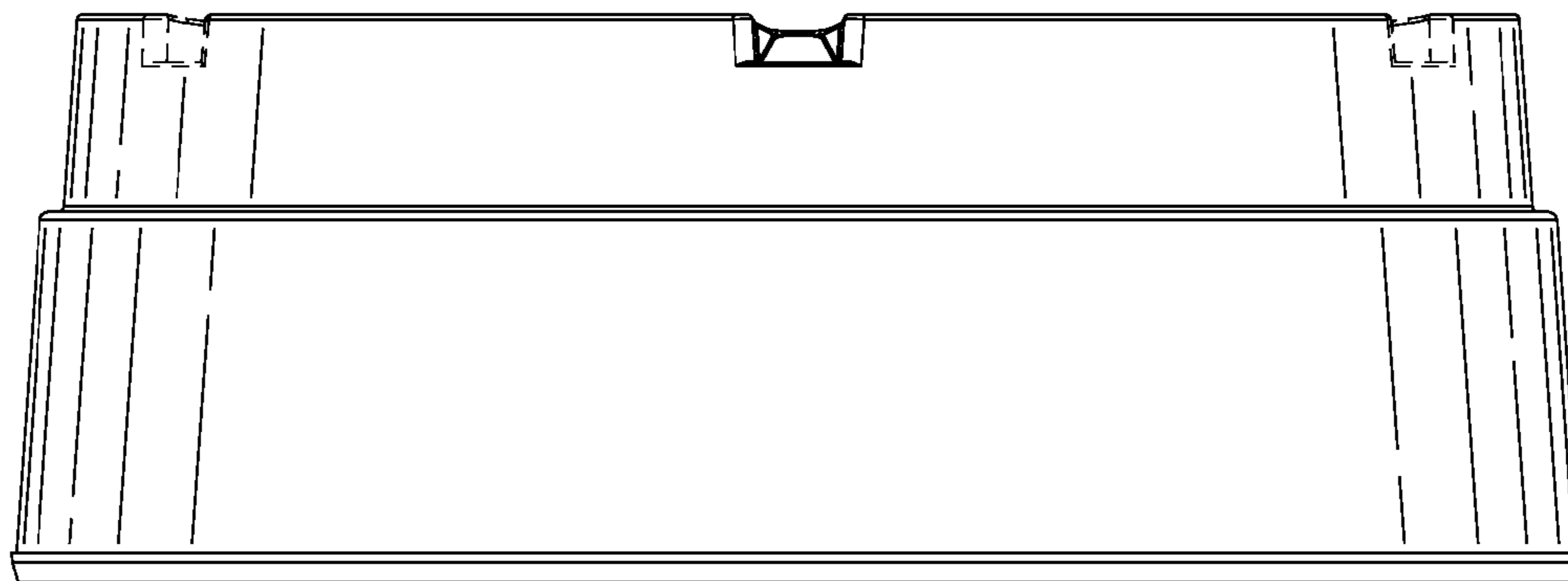


FIG. 5

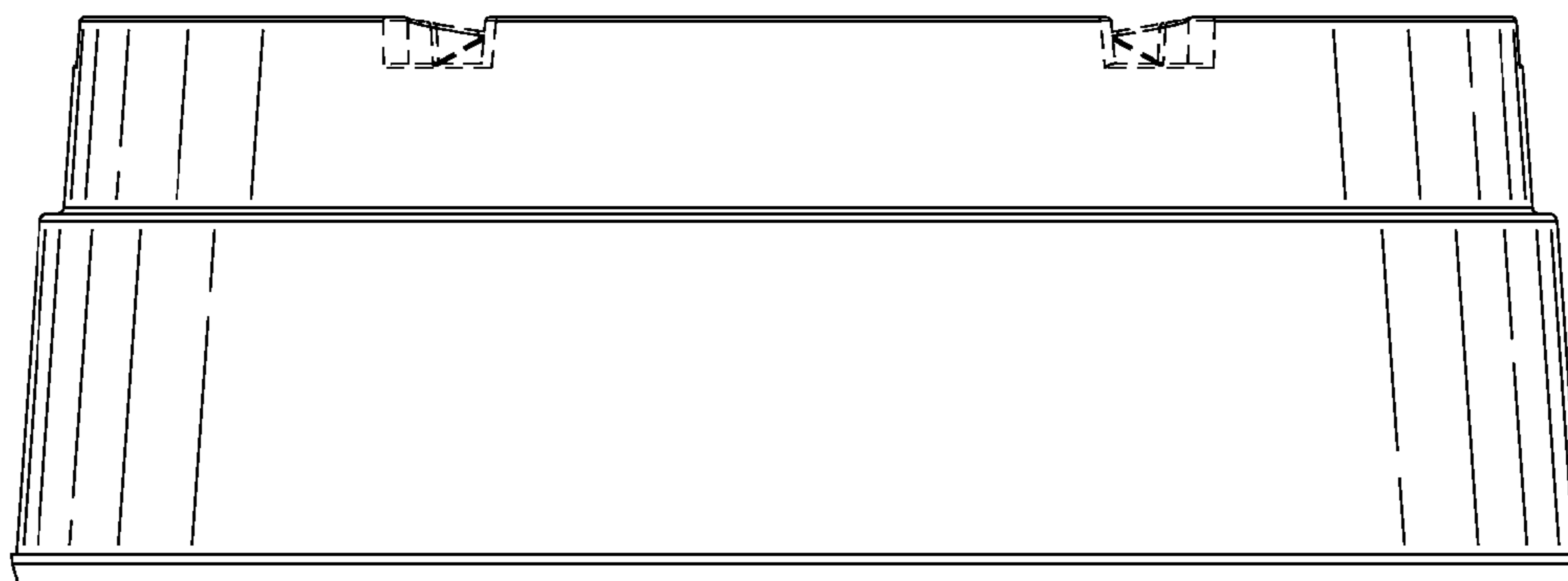


FIG. 6