



US00D668329S

(12) **United States Design Patent**
Faridi Majidi et al.

(10) **Patent No.:** **US D668,329 S**

(45) **Date of Patent:** **** Oct. 2, 2012**

(54) **DUAL SYRINGE PUMP**

(75) Inventors: **Reza Faridi Majidi**, Tehran (IR); **Nader Naderi**, Tehran (IR)

(73) Assignee: **Fanavaran Nano-Meghyas**, Tehran (IR)

(**) Term: **14 Years**

(21) Appl. No.: **29/397,023**

(22) Filed: **Jul. 11, 2011**

(51) **LOC (9) Cl.** **24-02**

(52) **U.S. Cl.** **D24/111**

(58) **Field of Classification Search** D24/111,
D24/108; D15/7, 9; 128/DIG. 12; 604/128,
604/131, 151-155

See application file for complete search history.

(56) **References Cited**

U.S. PATENT DOCUMENTS

D241,883	S	*	10/1976	King	D24/111
D246,258	S	*	11/1977	Ekert	D24/111
D305,060	S	*	12/1989	Bisha' et al.	D24/111
4,976,696	A	*	12/1990	Sanderson et al.	604/154
4,988,337	A	*	1/1991	Ito	604/154
5,034,004	A	*	7/1991	Crankshaw	604/154

D327,123	S	*	6/1992	Stracener et al.	D24/111
5,232,449	A	*	8/1993	Stern et al.	604/154
D355,716	S	*	2/1995	Nash et al.	D24/111
D367,528	S	*	2/1996	Marston et al.	D24/111

* cited by examiner

Primary Examiner — Wan Laymon

(74) *Attorney, Agent, or Firm* — International IP Group, LLC

(57) **CLAIM**

The ornamental design for a dual syringe pump, substantially as shown and described.

DESCRIPTION

FIG. 1 is a top, right-side perspective view of the dual syringe pump design.

FIG. 2 is a front-side view thereof.

FIG. 3 is a rear-side view thereof.

FIG. 4 is a top-side view thereof.

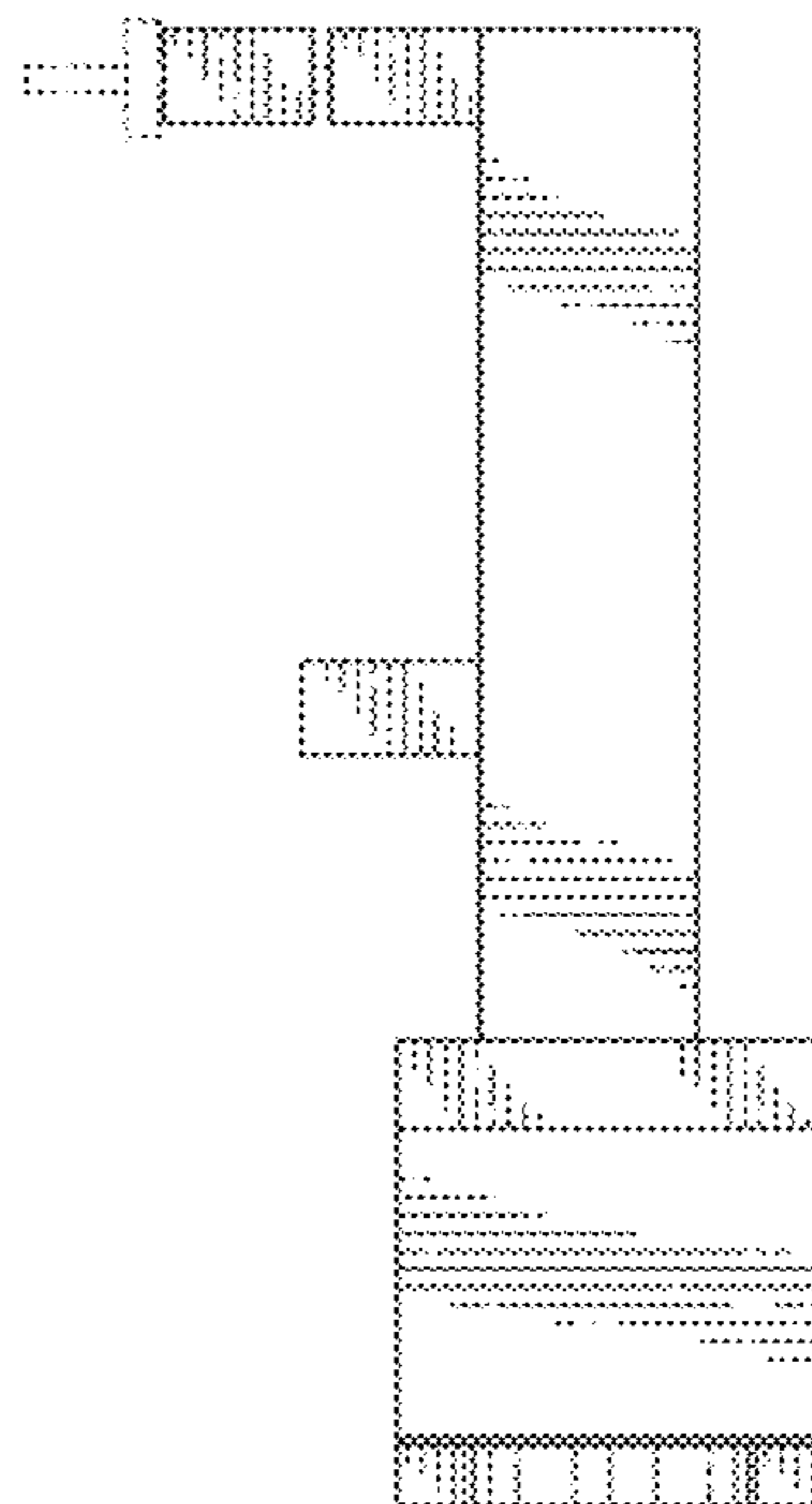
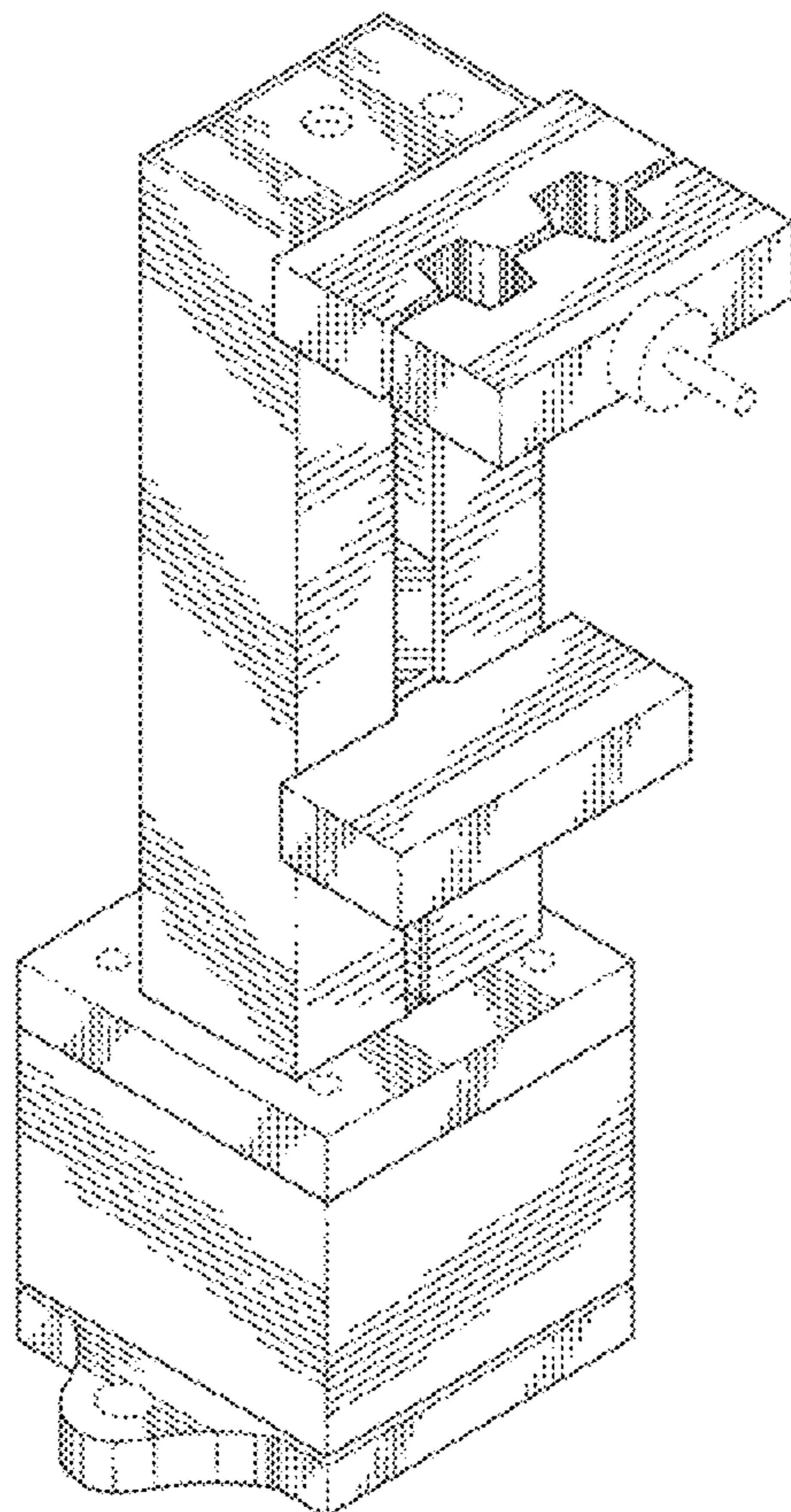
FIG. 5 is a bottom-side view thereof.

FIG. 6 is a right -side view thereof; and,

FIG. 7 is a left-side view thereof.

The broken lines represent unclaimed subject matter and form no part of the claimed design.

1 Claim, 5 Drawing Sheets



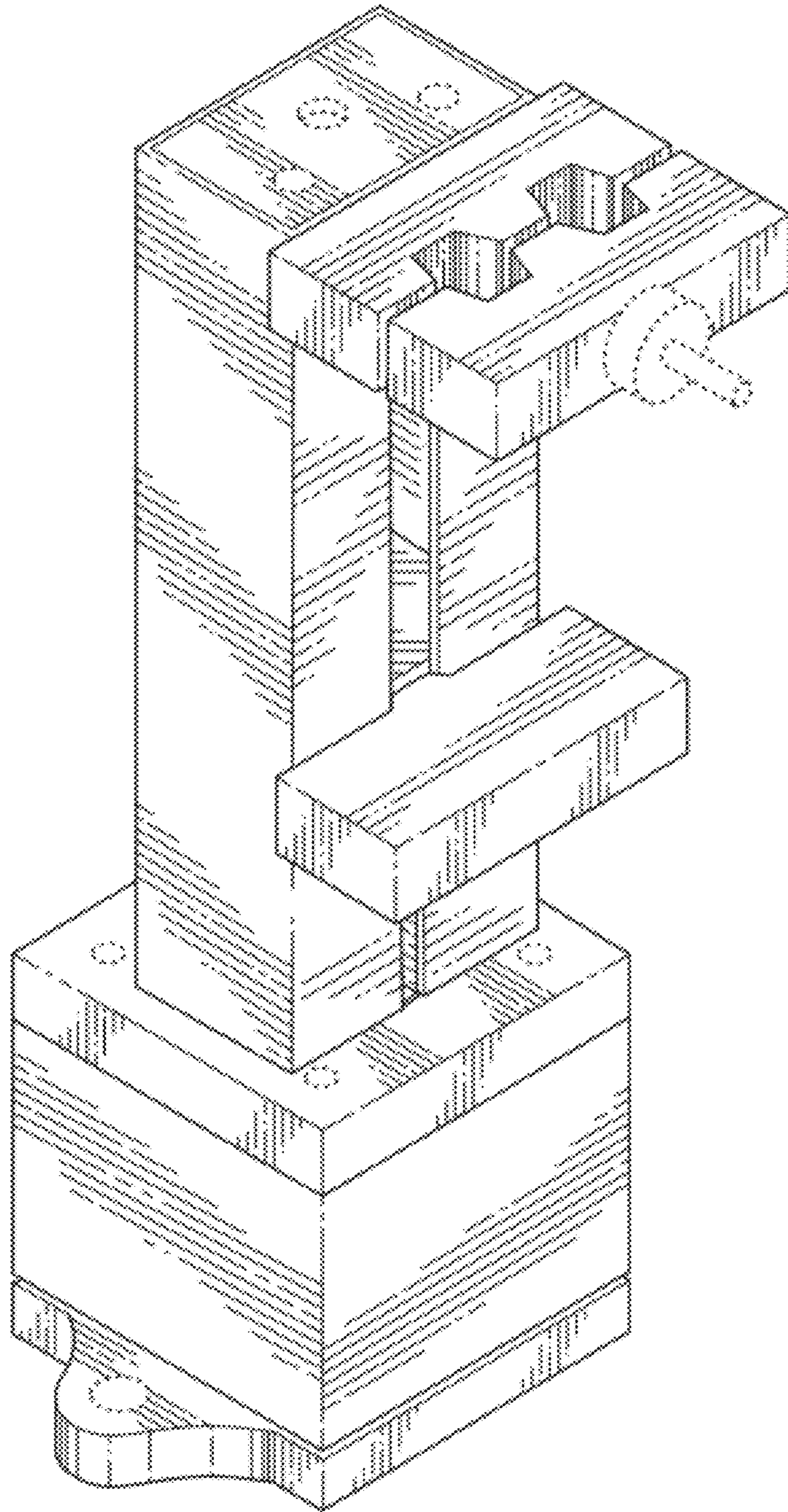


FIG. 1

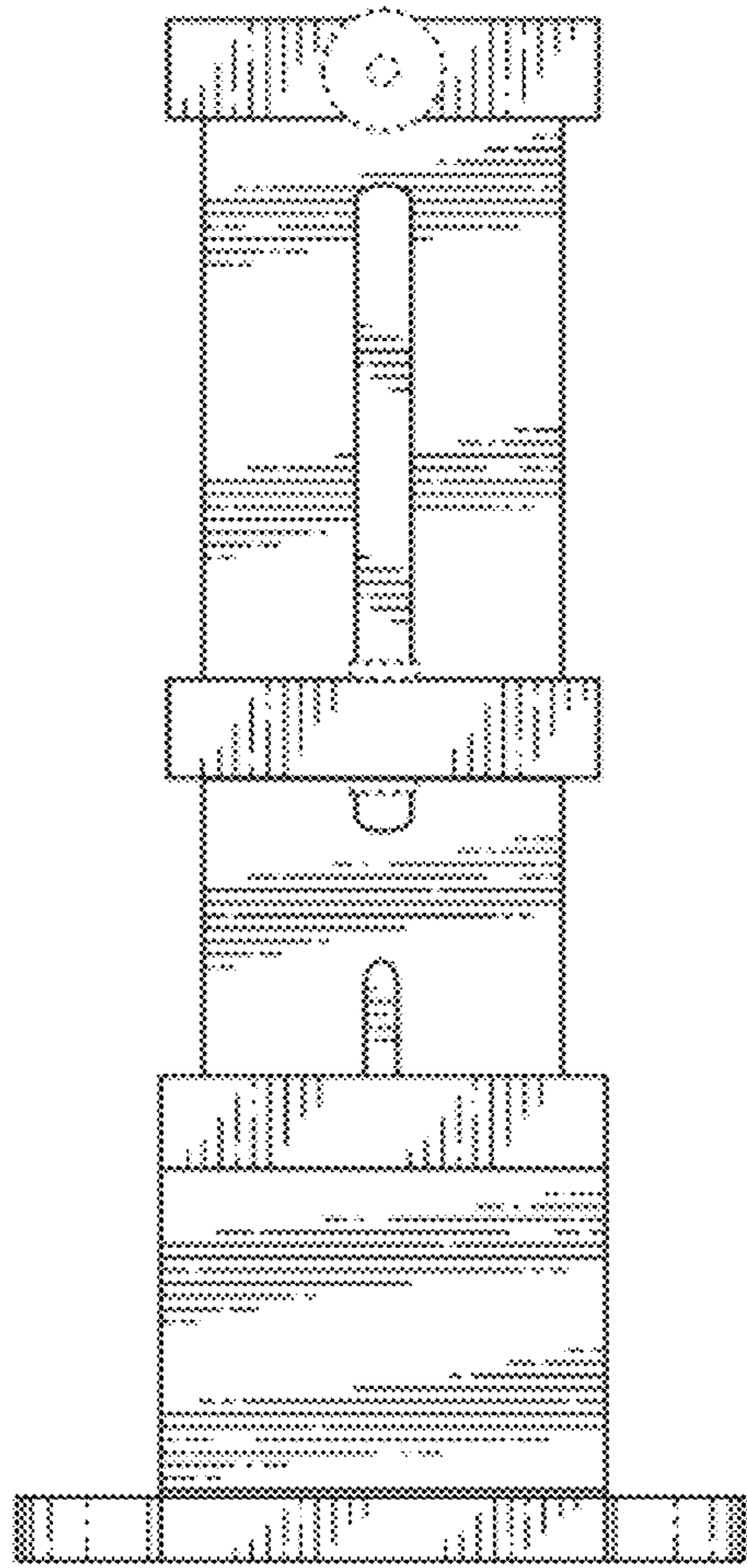


FIG. 2

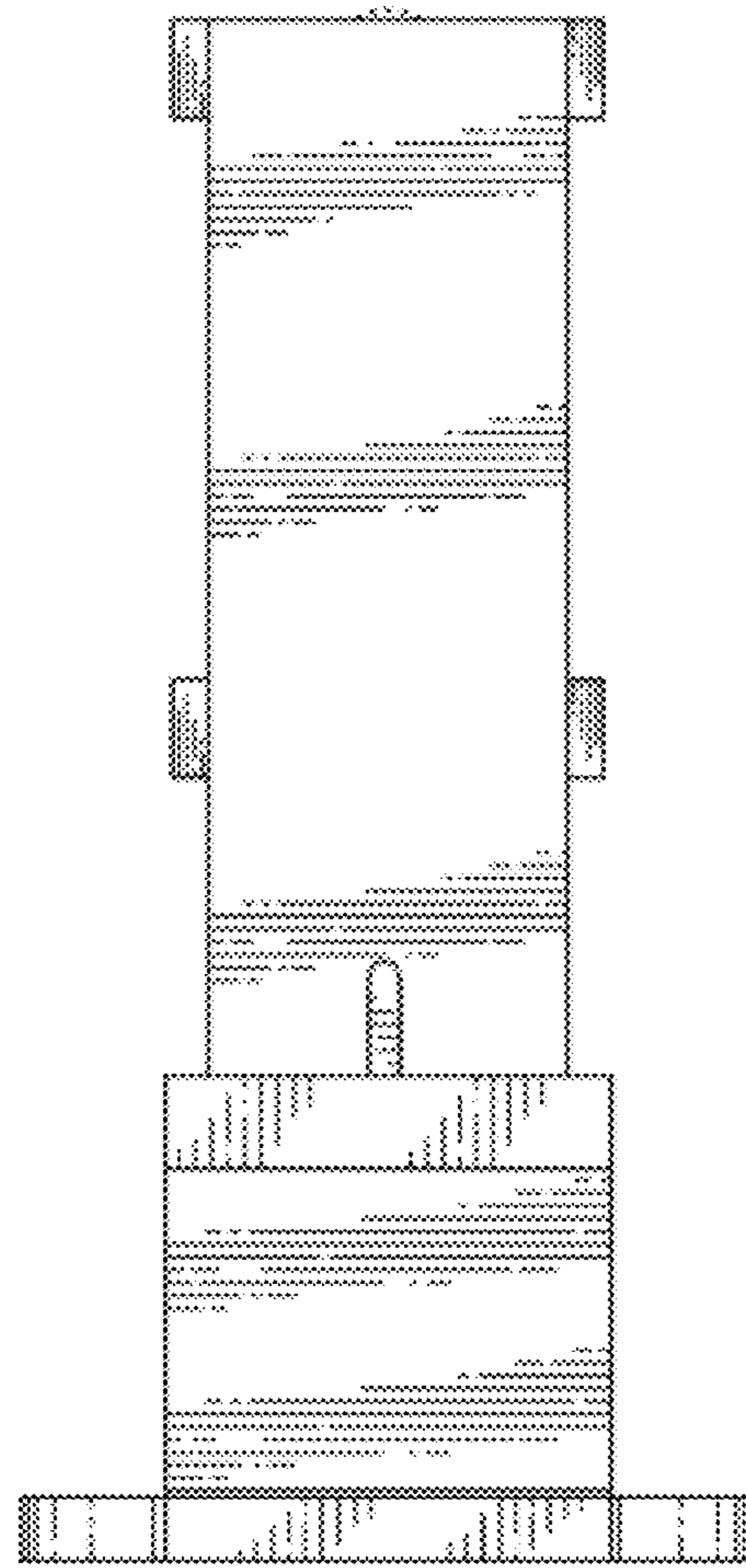


FIG. 3

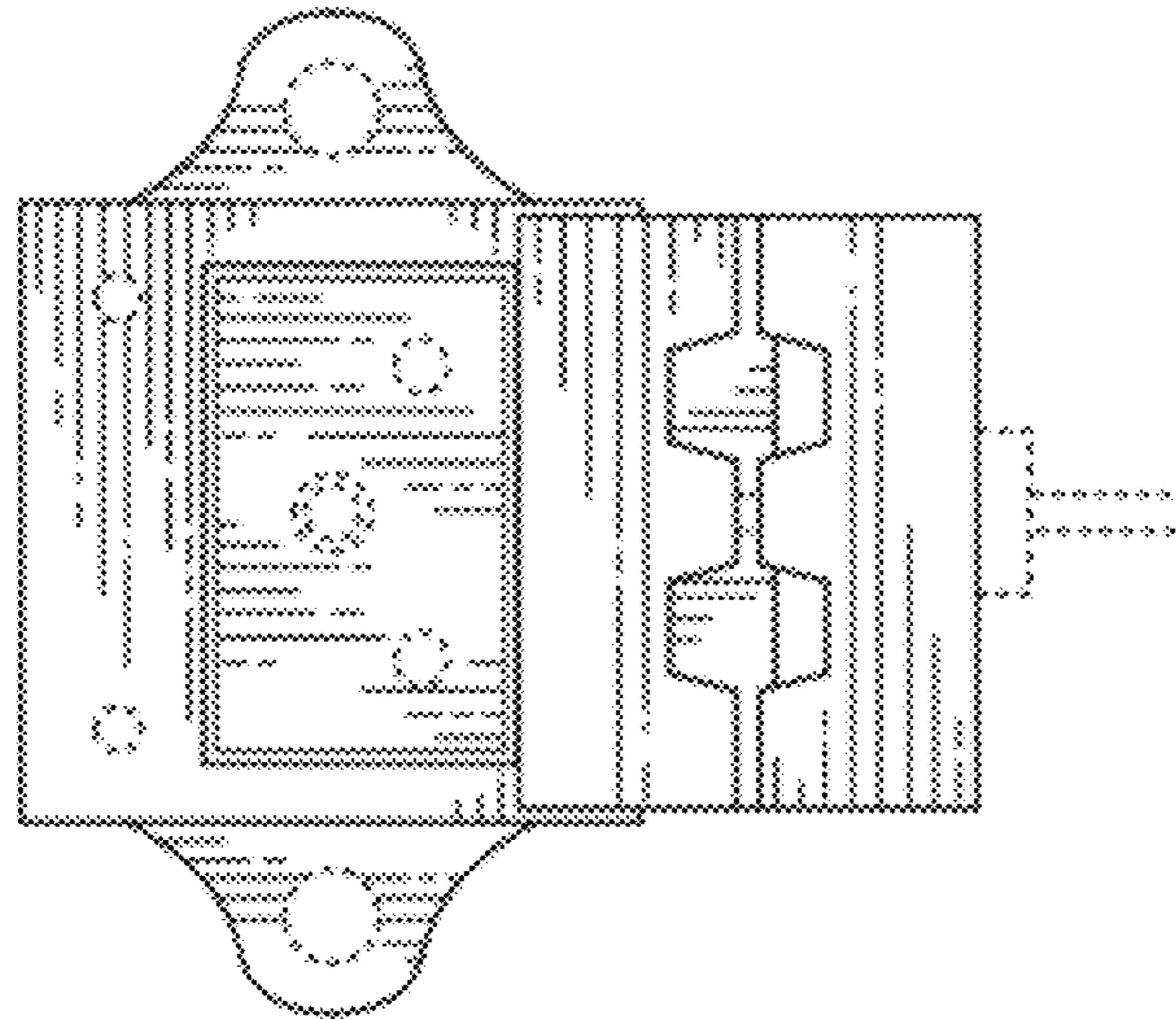


FIG. 4

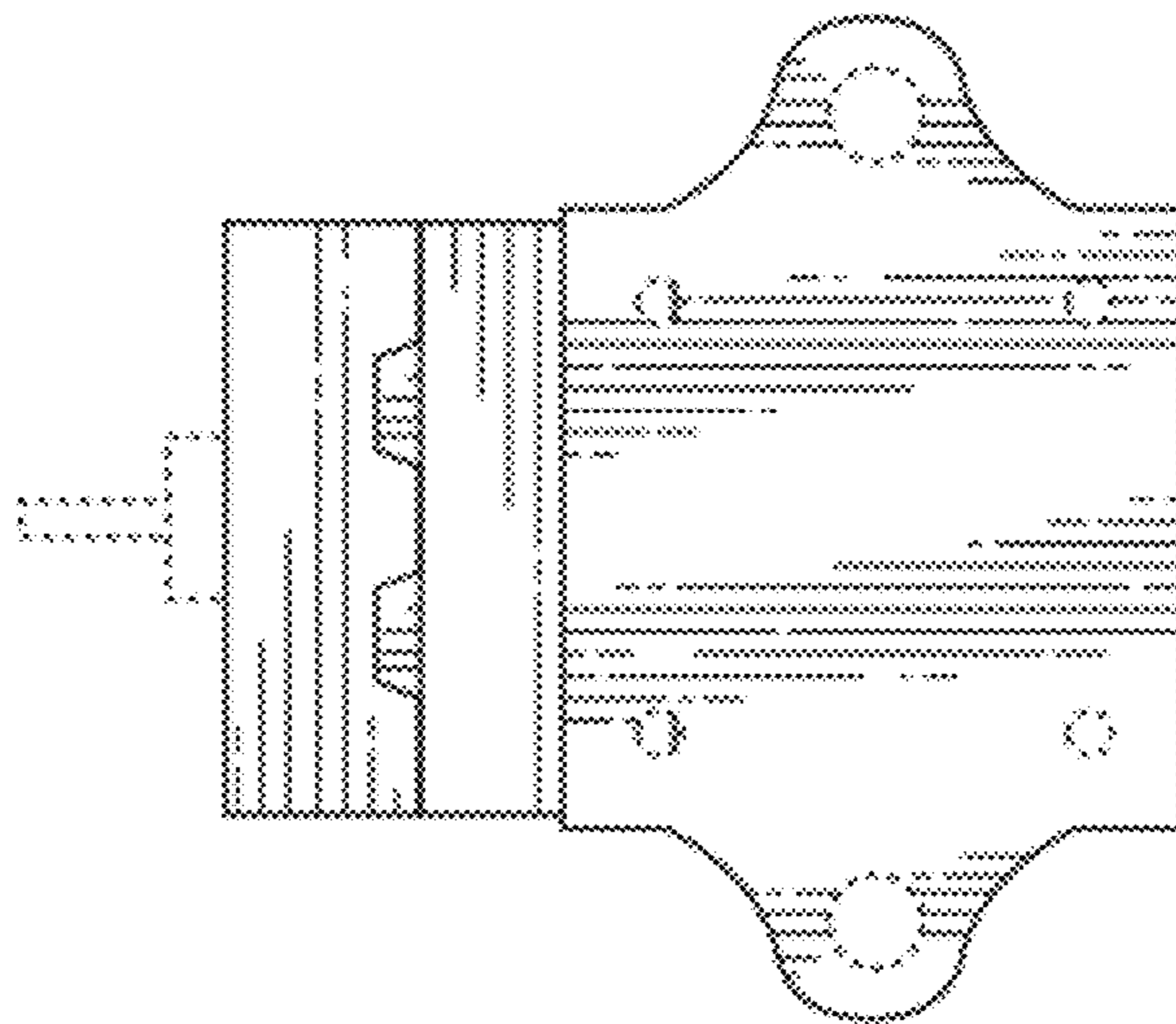


FIG. 5

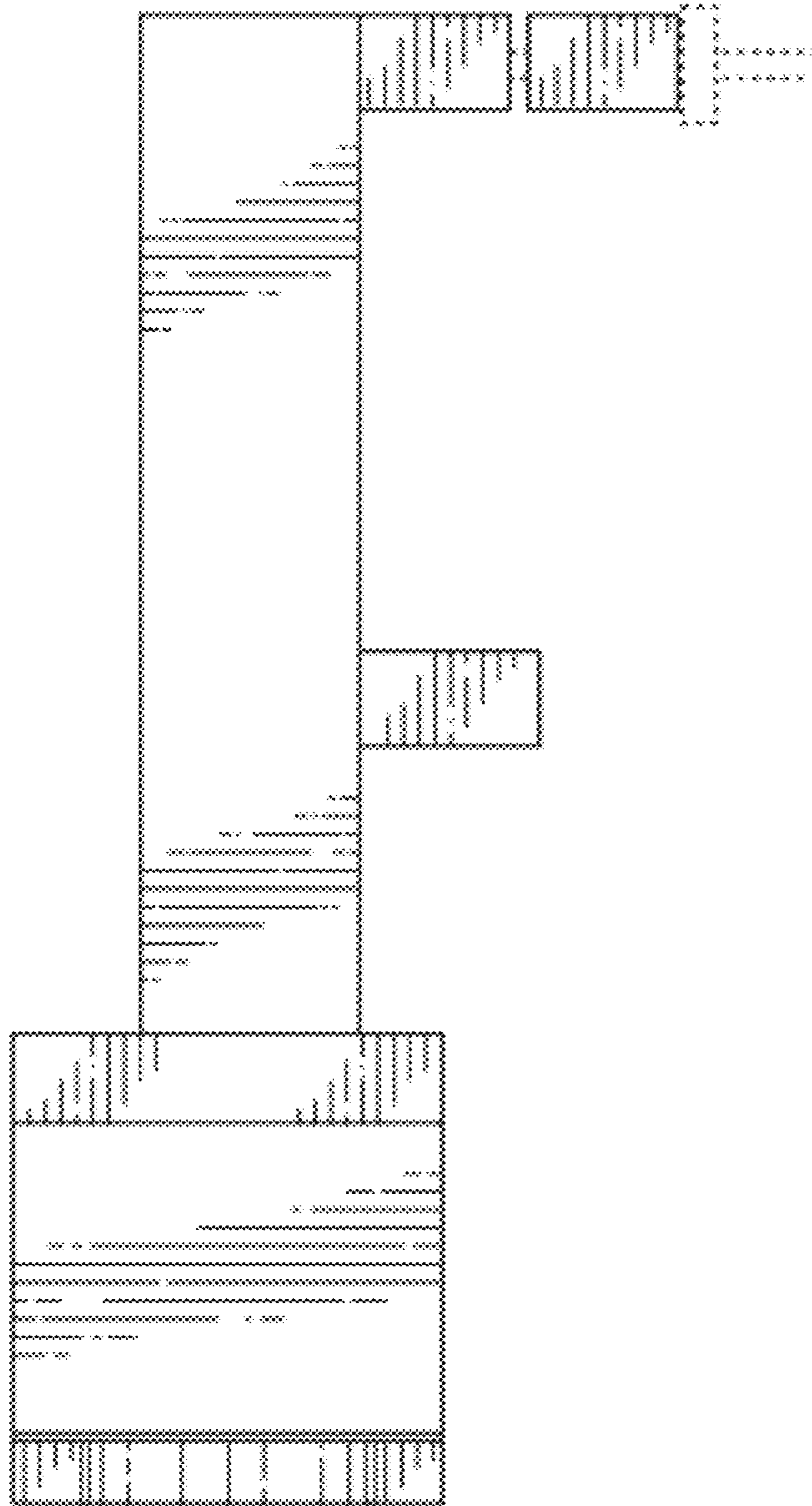


FIG. 6

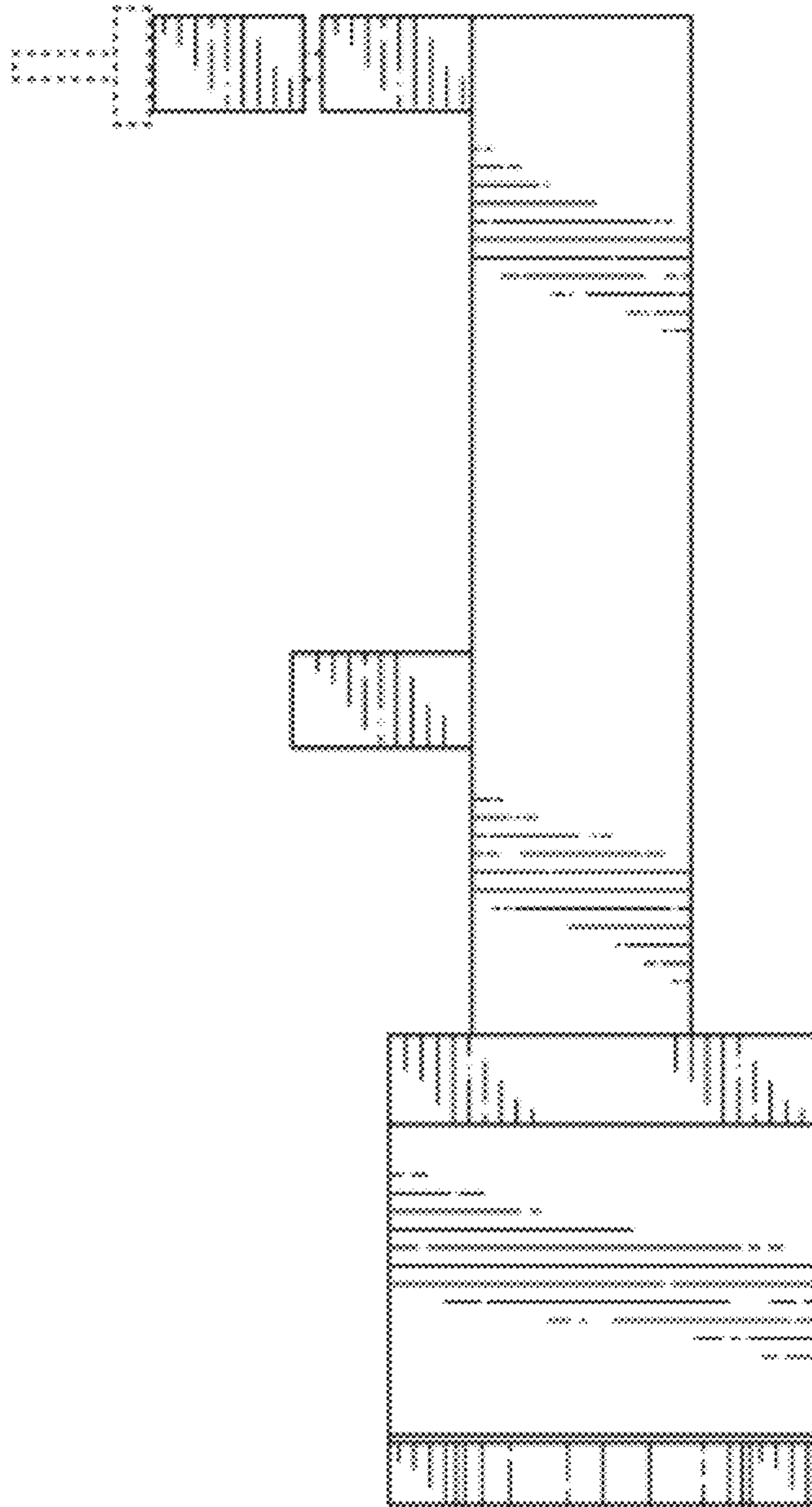


FIG. 7