

US00D668324S

(12) **United States Design Patent**  
**Terry et al.**

(10) **Patent No.:** **US D668,324 S**  
(45) **Date of Patent:** **\*\* Oct. 2, 2012**

(54) **PLUMBING TRAP ASSEMBLY**  
(75) Inventors: **Bryan Terry**, Evandale (AU); **Mark Johnson**, Evandale (AU)  
(73) Assignee: **Desert Eco Systems Pty Ltd.** (AU)  
(\*\*) Term: **14 Years**  
(21) Appl. No.: **29/378,863**  
(22) Filed: **Nov. 10, 2010**

D21,528 S \* 5/1892 Graham ..... D23/268  
D22,238 S \* 2/1893 Graham ..... D23/268  
945,099 A \* 1/1910 Kidwell ..... 137/247.47  
1,444,132 A \* 2/1923 Ninow et al. .... 137/247.47  
1,675,714 A \* 7/1928 Koch ..... 210/305  
1,679,191 A \* 7/1928 Westbrook ..... 137/247.25  
2,140,436 A \* 12/1938 Vanerstrom ..... 4/674  
D529,144 S \* 9/2006 McAlpine ..... D23/268  
2002/0166162 A1 \* 11/2002 Romagna et al. .... 4/306  
2004/0034925 A1 \* 2/2004 McAlpine ..... 4/649

\* cited by examiner

*Primary Examiner* — Eric Goodman  
(74) *Attorney, Agent, or Firm* — Akerman Senterfitt

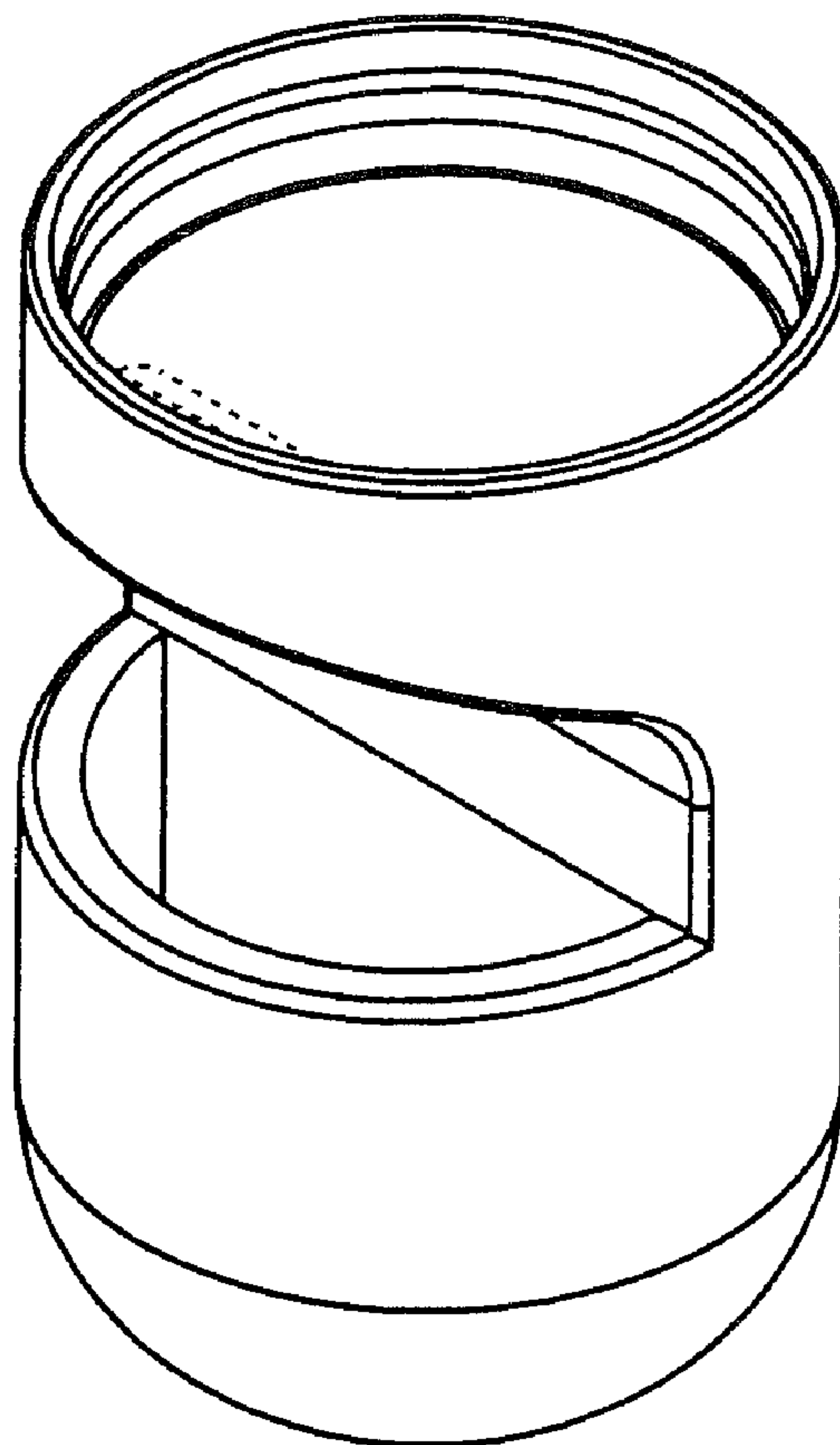
(30) **Foreign Application Priority Data**  
Jul. 27, 2010 (AU) ..... 13149/2010  
(51) **LOC (9) Cl.** ..... **23-01**  
(52) **U.S. Cl.** ..... **D23/268**  
(58) **Field of Classification Search** ..... D23/259–269;  
137/247.49, 247.51, 247.41, 247.47; D4/131;  
4/286, 652; 285/360–361, 376, 396, 401–402  
See application file for complete search history.

(56) **References Cited**  
U.S. PATENT DOCUMENTS  
134,652 A \* 1/1873 Doherty ..... 137/247.47  
D19,665 S \* 2/1890 Torrance et al. .... D23/268

(57) **CLAIM**  
The ornamental design of a plumbing trap assembly, as shown and described.

**DESCRIPTION**  
FIG. 1 is a top view of a plumbing trap assembly;  
FIG. 2 is a perspective view thereof;  
FIG. 3 is a front side view thereof; and,  
FIG. 4 is a side view thereof.

**1 Claim, 4 Drawing Sheets**



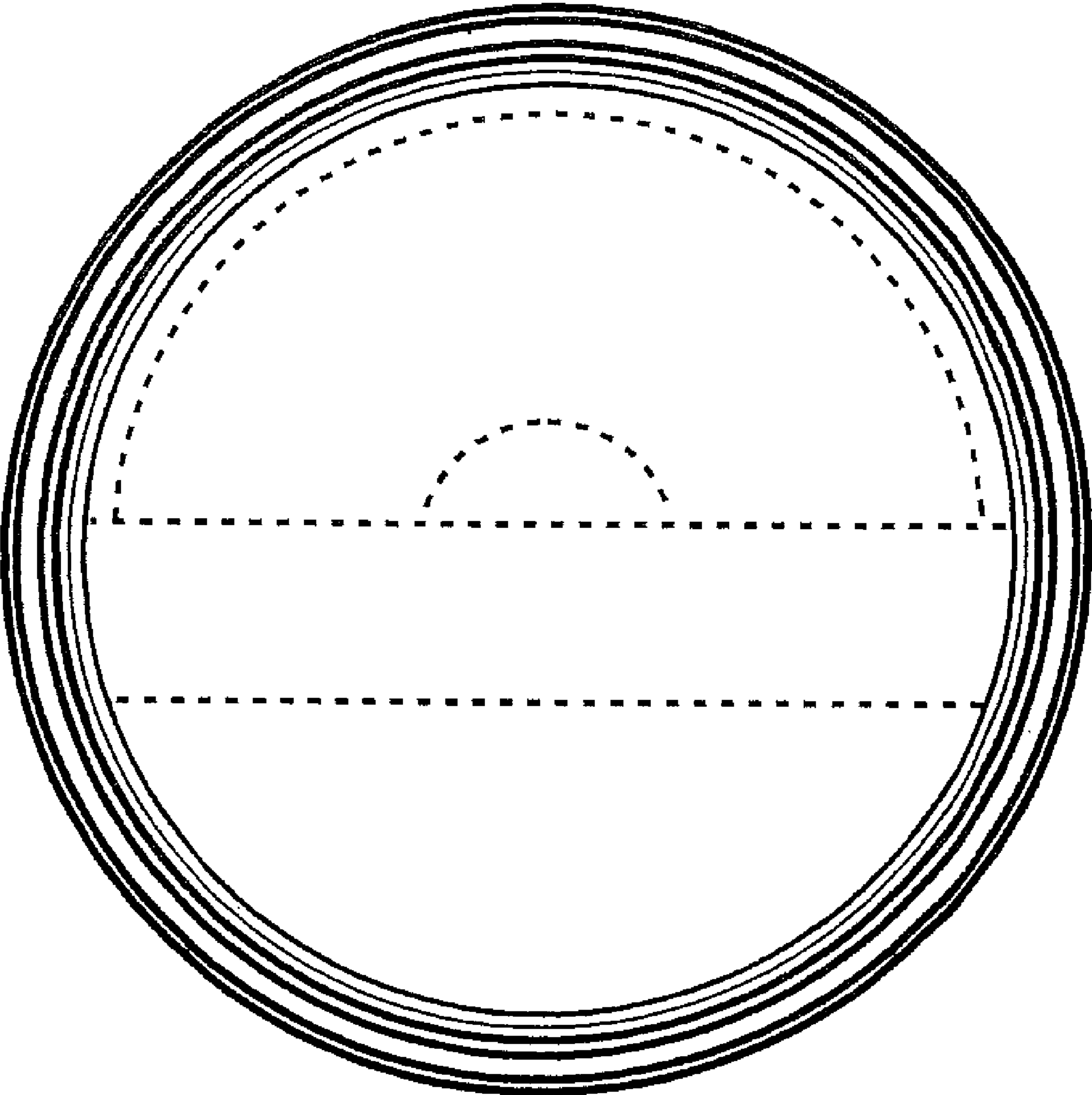


FIGURE 1

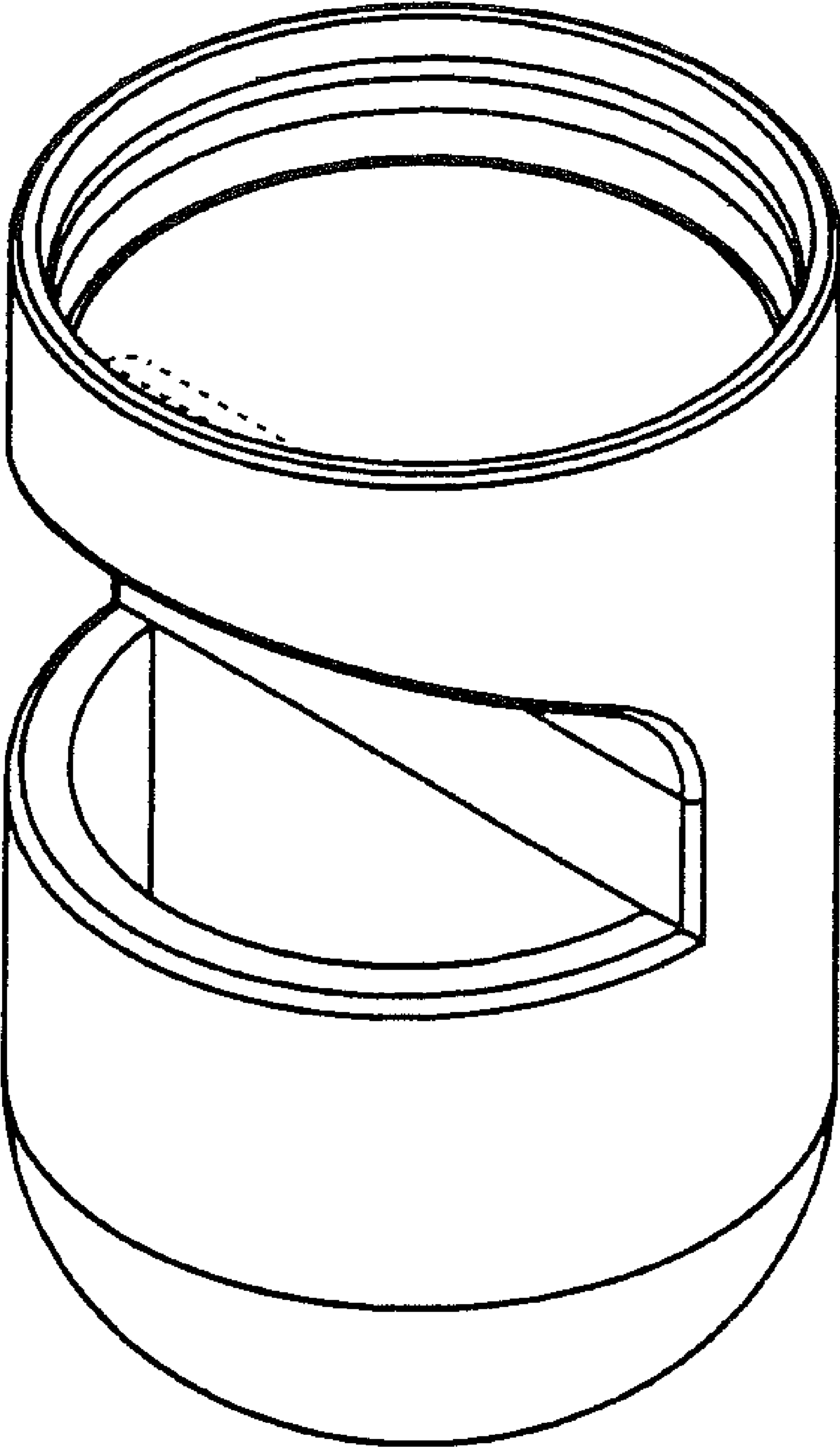


FIGURE 2

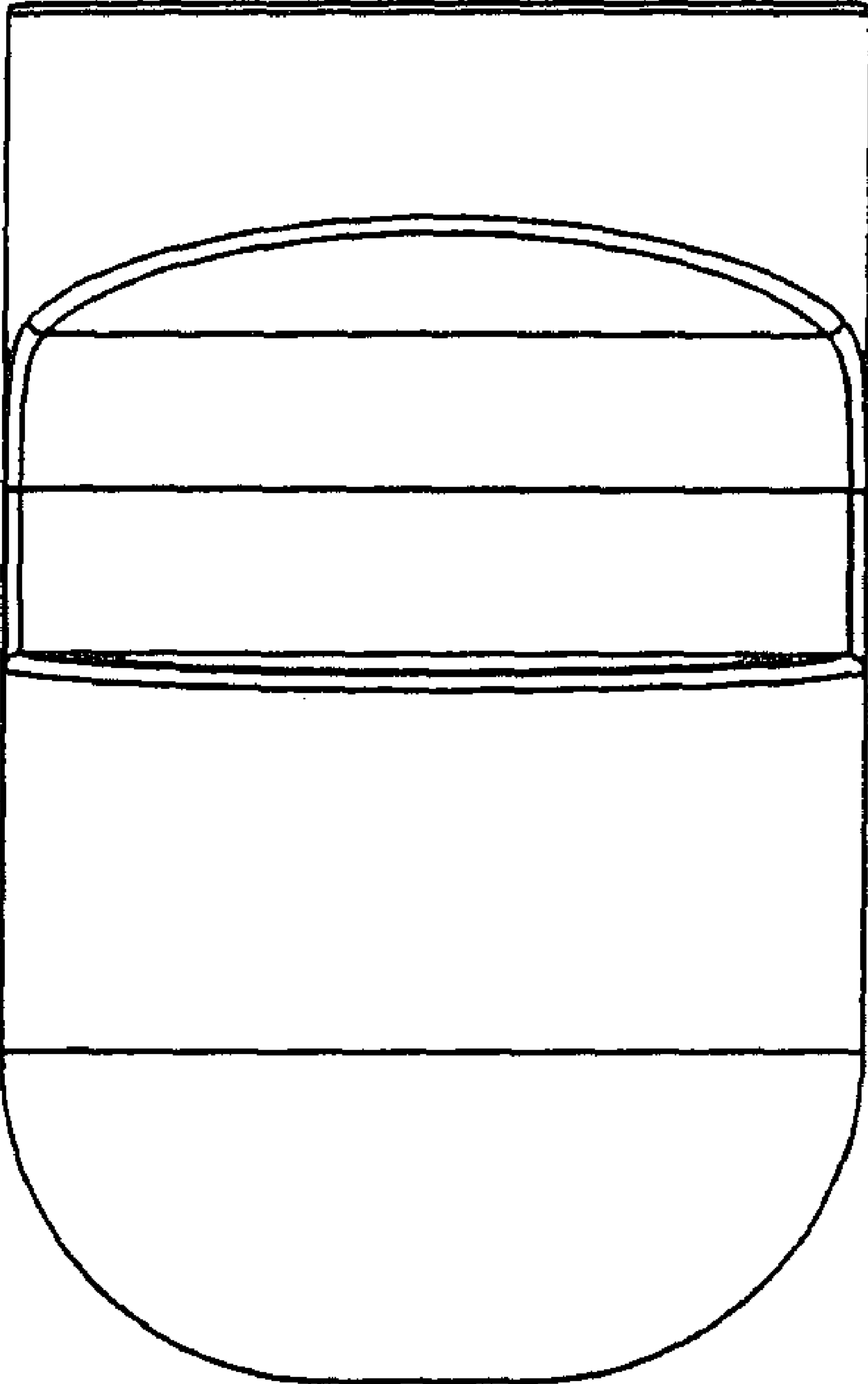


FIGURE 3

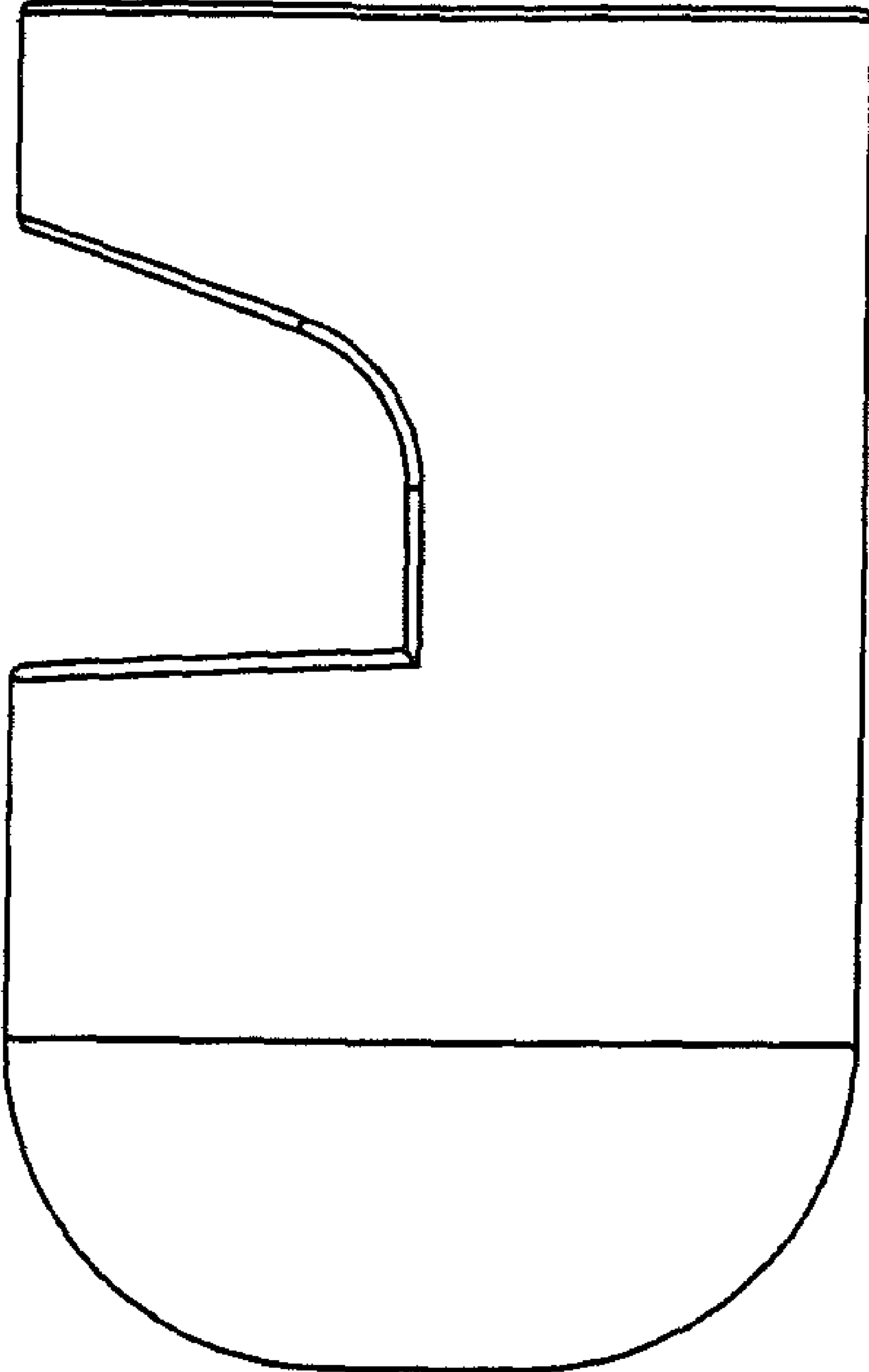


FIGURE 4