



US00D668321S

(12) **United States Design Patent**
Senba

(10) **Patent No.:** **US D668,321 S**
(45) **Date of Patent:** **** *Oct. 2, 2012**

(54) **ELECTROMAGNETIC VALVE**

(75) Inventor: **Katsuyuki Senba**, Tsukubamirai (JP)

(73) Assignee: **SMC Corporation**, Chiyoda-ku, Tokyo (JP)

(*) Notice: This patent is subject to a terminal disclaimer.

(**) Term: **14 Years**

(21) Appl. No.: **29/402,030**

(22) Filed: **Sep. 19, 2011**

(30) **Foreign Application Priority Data**

Jul. 5, 2011 (JP) 2011-015398

(51) **LOC (9) Cl.** **23-01**

(52) **U.S. Cl.** **D23/233**

(58) **Field of Classification Search** D23/233-237,
D23/244-249; D15/5, 7, 199; 137/554,
137/557, 560, 882, 884, 269, 271, 343, 625.64;
251/15, 129.04, 130, 219, 331, 596.16, 597.13,
251/30.01; 4/304

See application file for complete search history.

(56) **References Cited**

U.S. PATENT DOCUMENTS

5,603,355 A * 2/1997 Miyazoe et al. 137/625.64
D544,578 S * 6/2007 Matsumoto et al. D23/233

D544,581 S * 6/2007 Matsumoto et al. D23/233
D546,420 S * 7/2007 Matsumoto et al. D23/233
D639,393 S * 6/2011 Hayashi D23/233

* cited by examiner

Primary Examiner — Cathron Brooks

Assistant Examiner — Maurice Stevens

(74) *Attorney, Agent, or Firm* — Yokoi & Co., U.S.A., Inc.;
Toshiyuki Yokoi

(57) **CLAIM**

The ornamental design for an electromagnetic valve, as shown and described.

DESCRIPTION

FIG. 1 shows a front view of an electromagnetic valve showing my new design;

FIG. 2 shows a rear view thereof;

FIG. 3 shows a right side view thereof;

FIG. 4 shows a left side view thereof;

FIG. 5 shows a top view thereof;

FIG. 6 shows a bottom view thereof;

FIG. 7 shows a top, front and left side perspective view thereof; and,

FIG. 8 shows a bottom, rear and right side perspective view thereof.

The portions of the design shown in broken lines in FIGS. 1, 2 and 4 to 8 are for the purpose of illustrating the environment only and form no part of the claimed design.

1 Claim, 6 Drawing Sheets

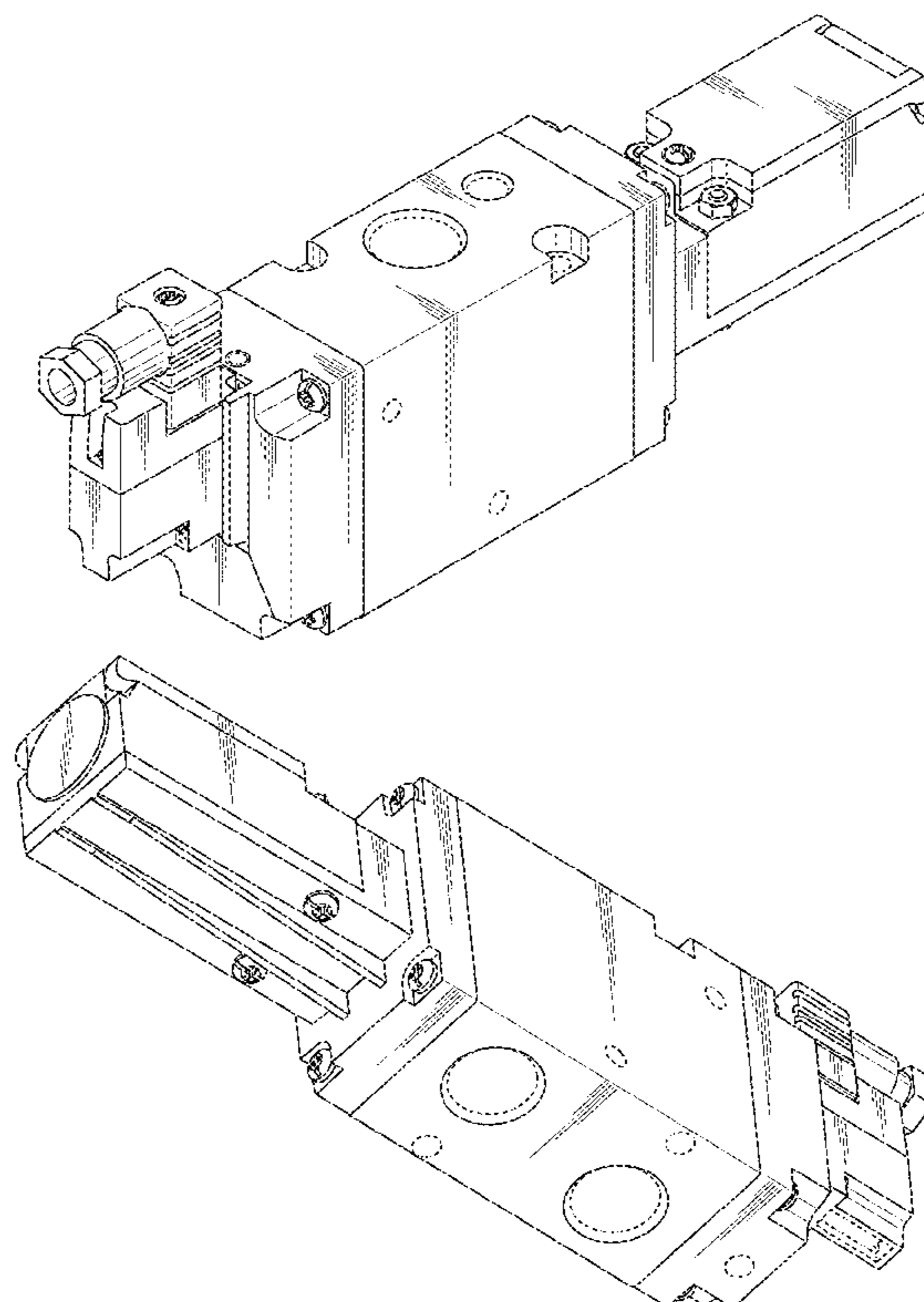


FIG. 1

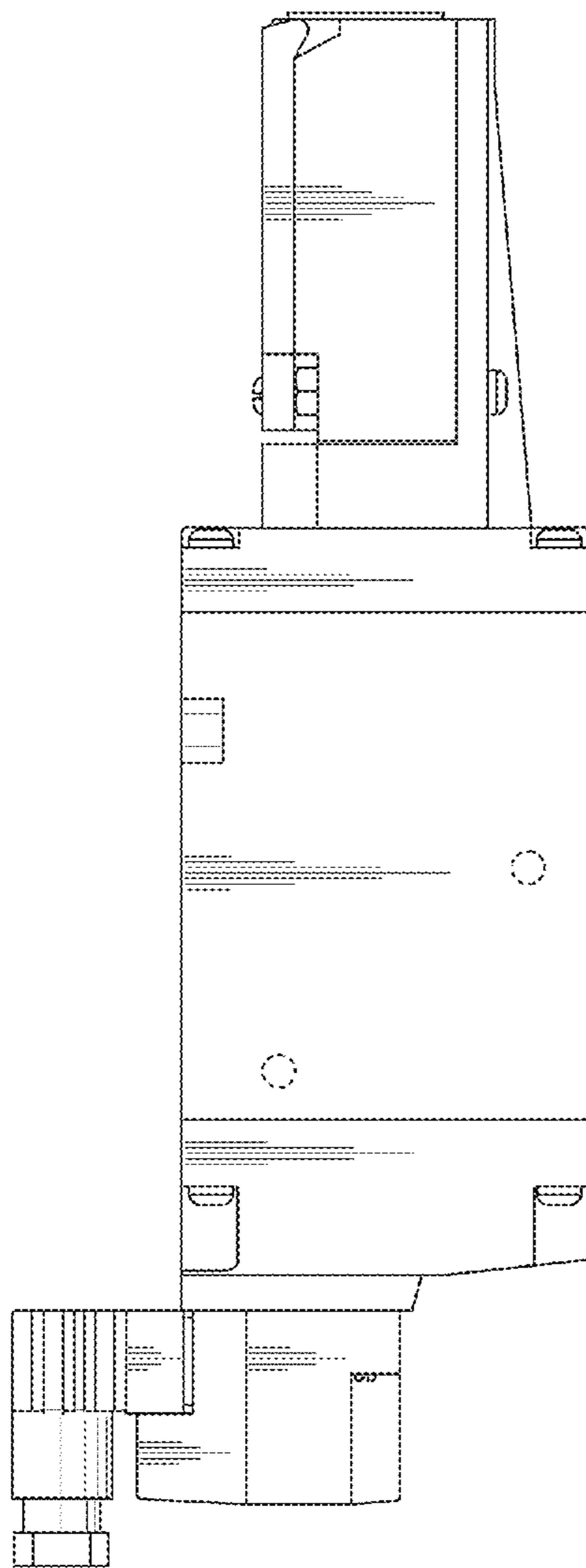


FIG. 2

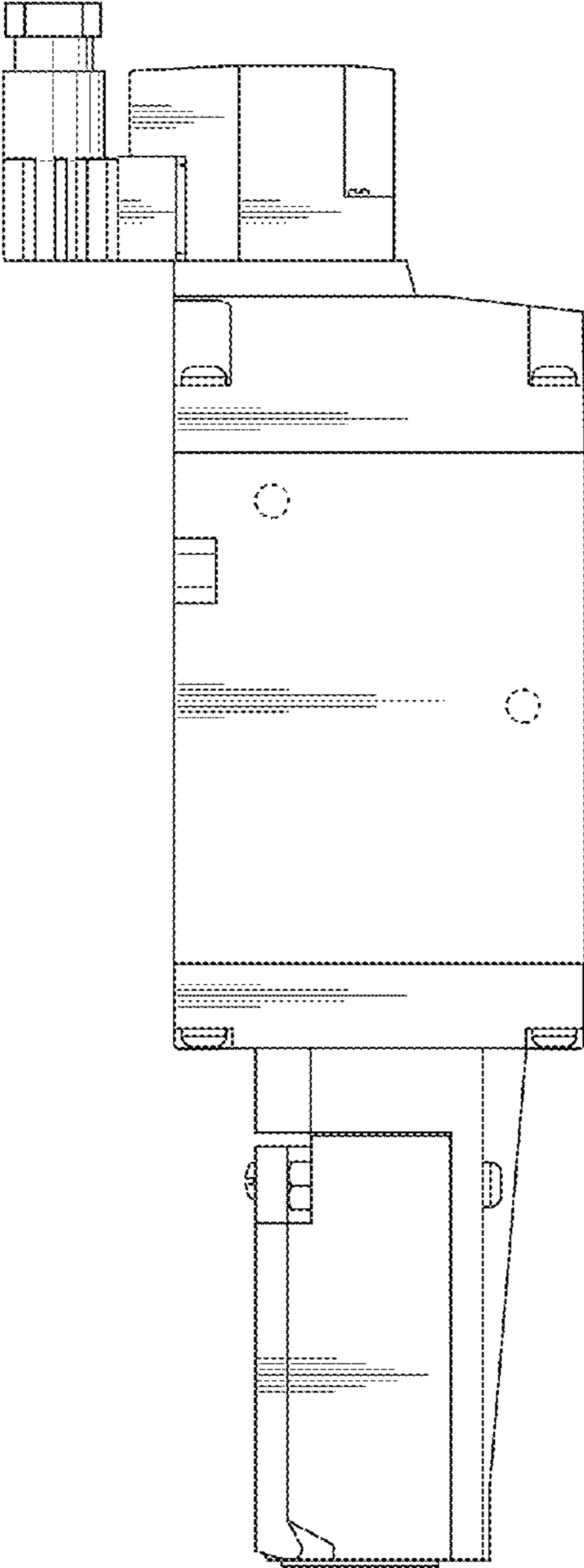


FIG. 3

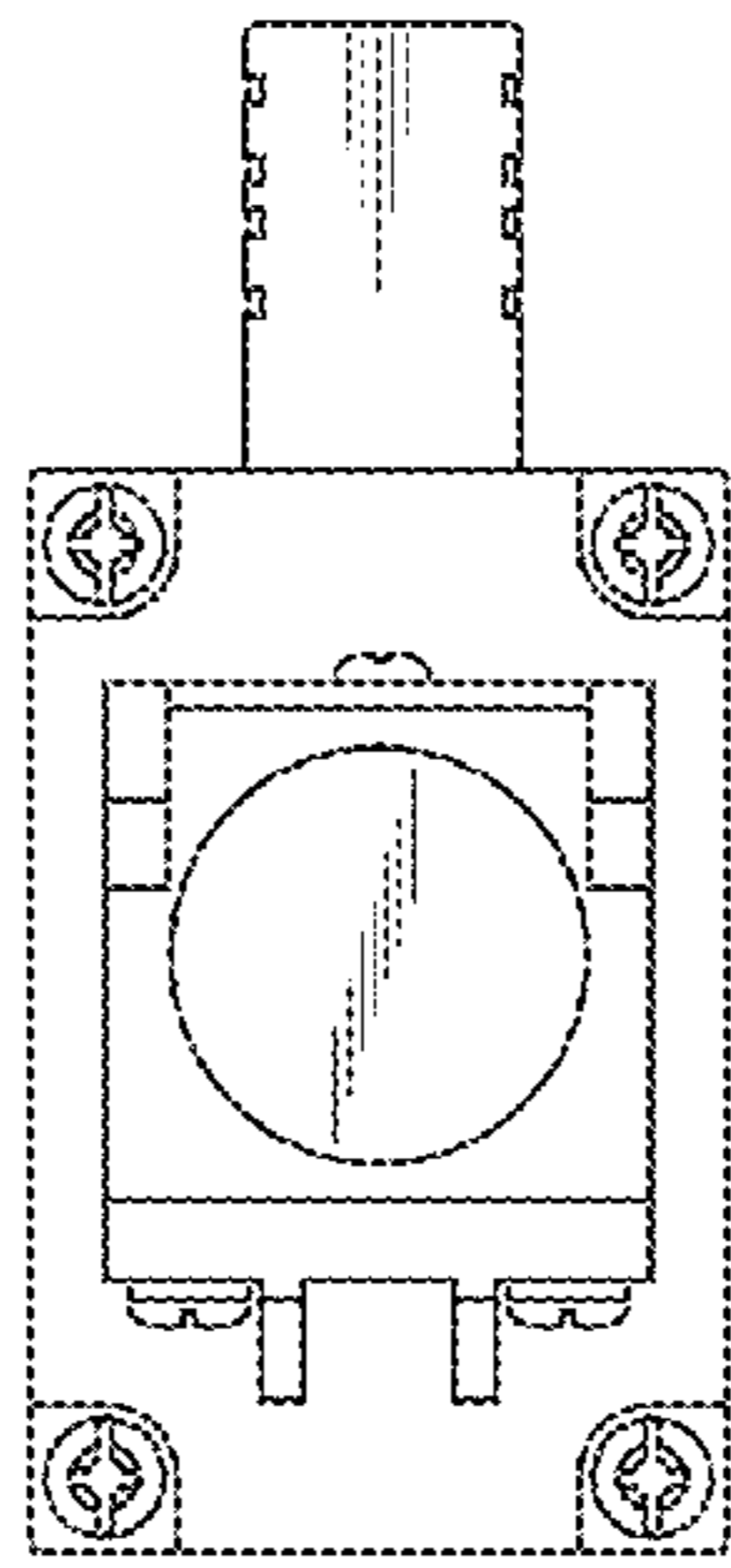


FIG. 4

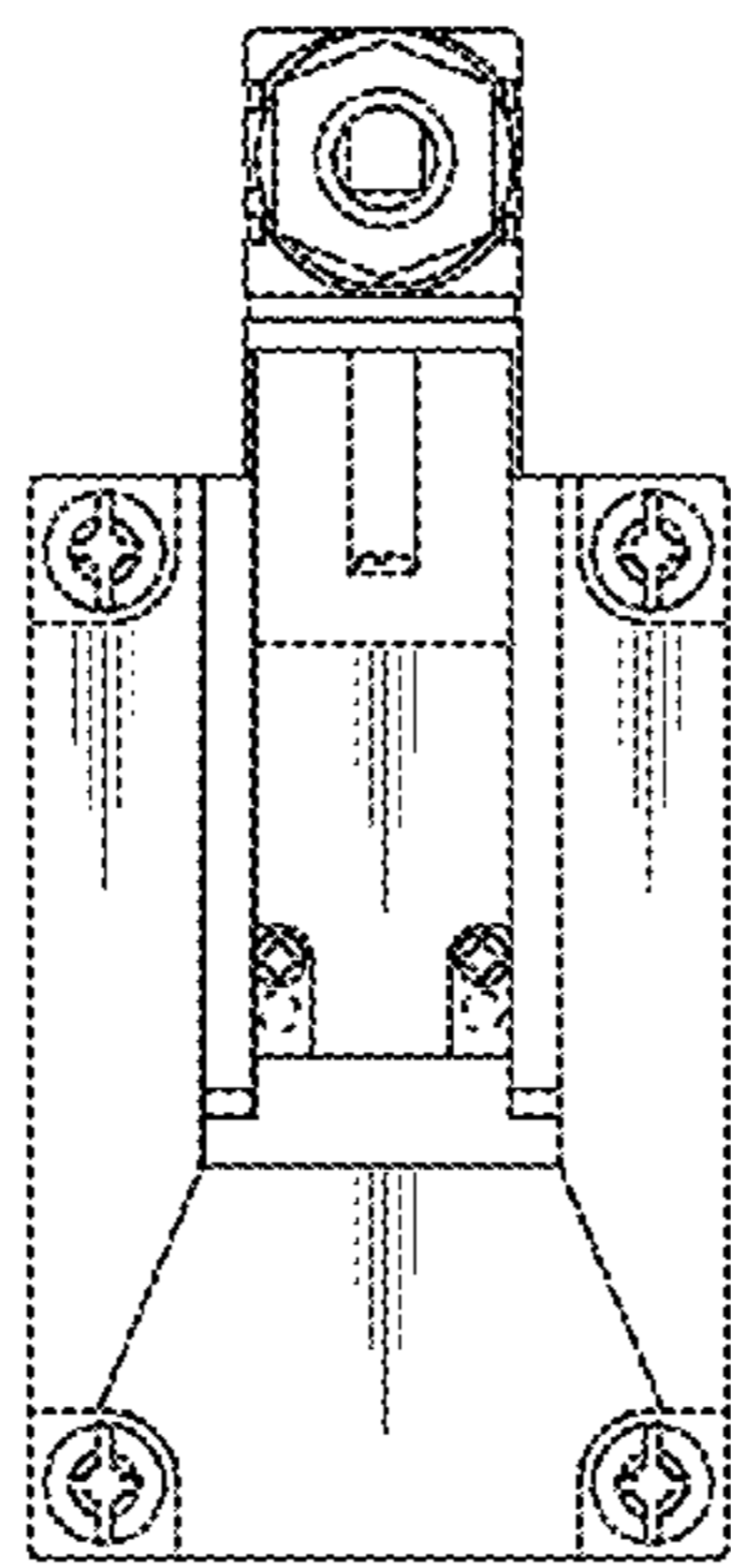


FIG. 5

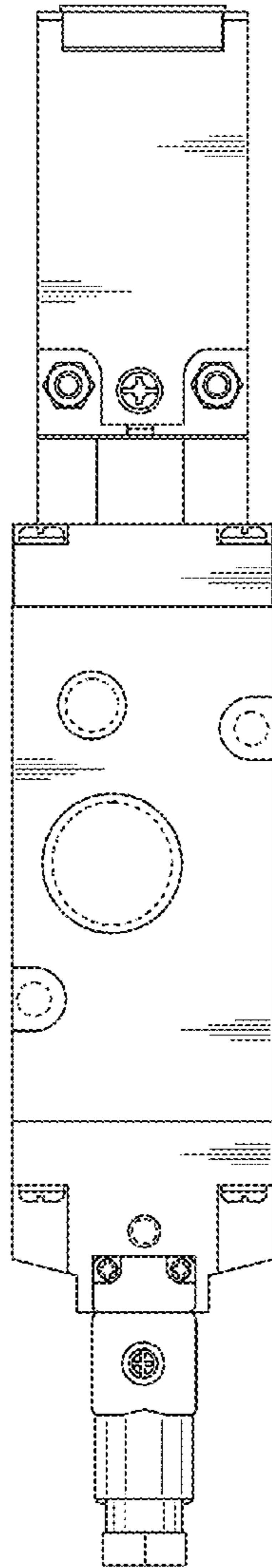


FIG. 6

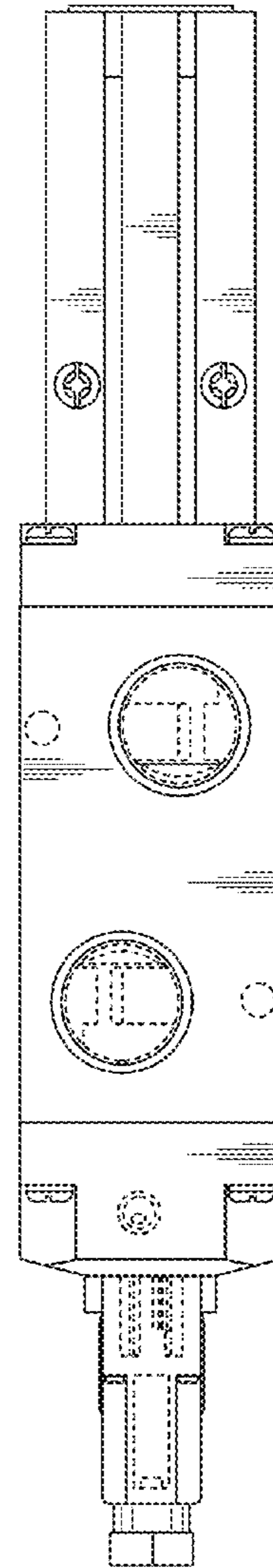


FIG. 7

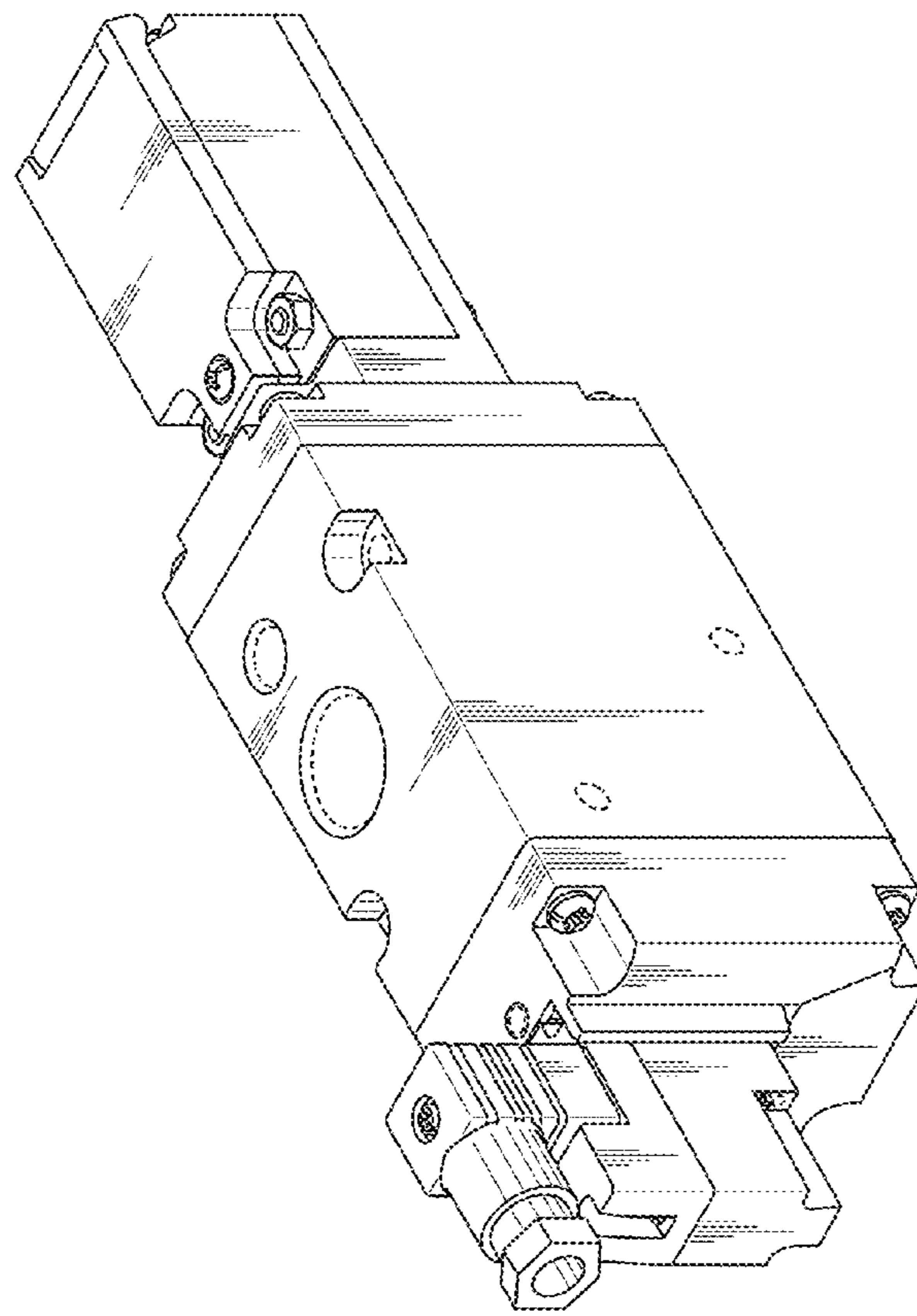


FIG. 8

