



US00D668320S

(12) **United States Design Patent**  
**Weihreter**

(10) **Patent No.:** **US D668,320 S**

(45) **Date of Patent:** **\*\* \*Oct. 2, 2012**

(54) **SPRAY HEAD FOR SHOWERS**

(75) Inventor: **Sven Weihreter**, Nürnberg (DE)

(73) Assignee: **MCP Vermögensverwaltungs KG**,  
Munich (DE)

(\*) Notice: This patent is subject to a terminal disclaimer.

(\*\*) Term: **14 Years**

(21) Appl. No.: **29/402,535**

(22) Filed: **Sep. 23, 2011**

(30) **Foreign Application Priority Data**

Mar. 23, 2011 (WO) ..... DM/175,279

(51) **LOC (9) Cl.** ..... **23-01**

(52) **U.S. Cl.** ..... **D23/223; D23/213**

(58) **Field of Classification Search** ..... D23/213,  
D23/223, 229, 230; 239/282, 283, 462, 394;  
4/615

See application file for complete search history.

(56) **References Cited**

U.S. PATENT DOCUMENTS

|          |   |   |         |                 |       |         |
|----------|---|---|---------|-----------------|-------|---------|
| D357,972 | S | * | 5/1995  | Huen            | ..... | D23/223 |
| D471,953 | S | * | 3/2003  | Colligan et al. | ..... | D23/213 |
| D528,631 | S | * | 9/2006  | Gillette et al. | ..... | D23/223 |
| D538,390 | S | * | 3/2007  | Sallick et al.  | ..... | D23/213 |
| D580,010 | S | * | 11/2008 | Lee             | ..... | D23/213 |

\* cited by examiner

*Primary Examiner* — Robin V Webster

(74) *Attorney, Agent, or Firm* — Alan Kamrath; Kamrath IP Lawfirm, P.A.

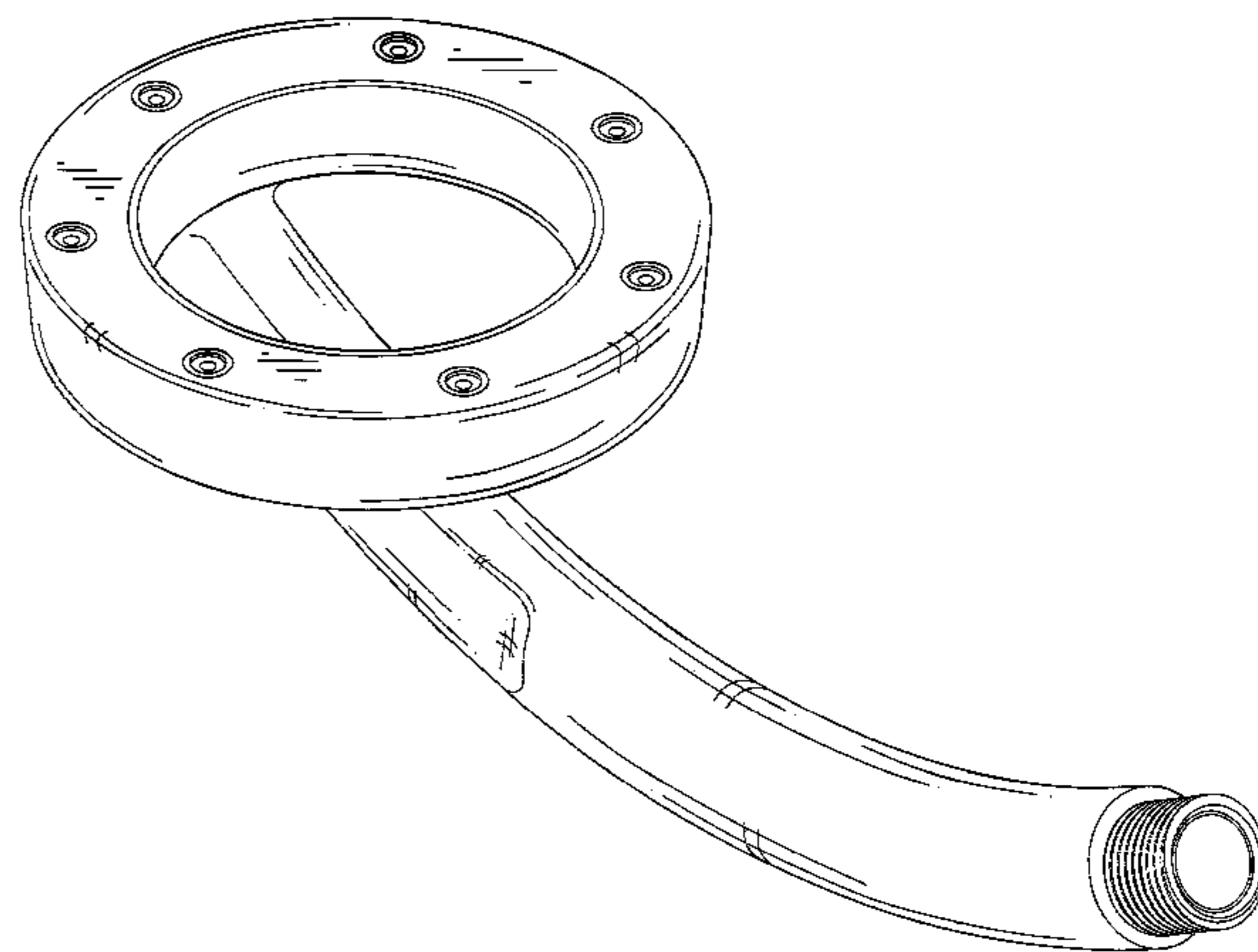
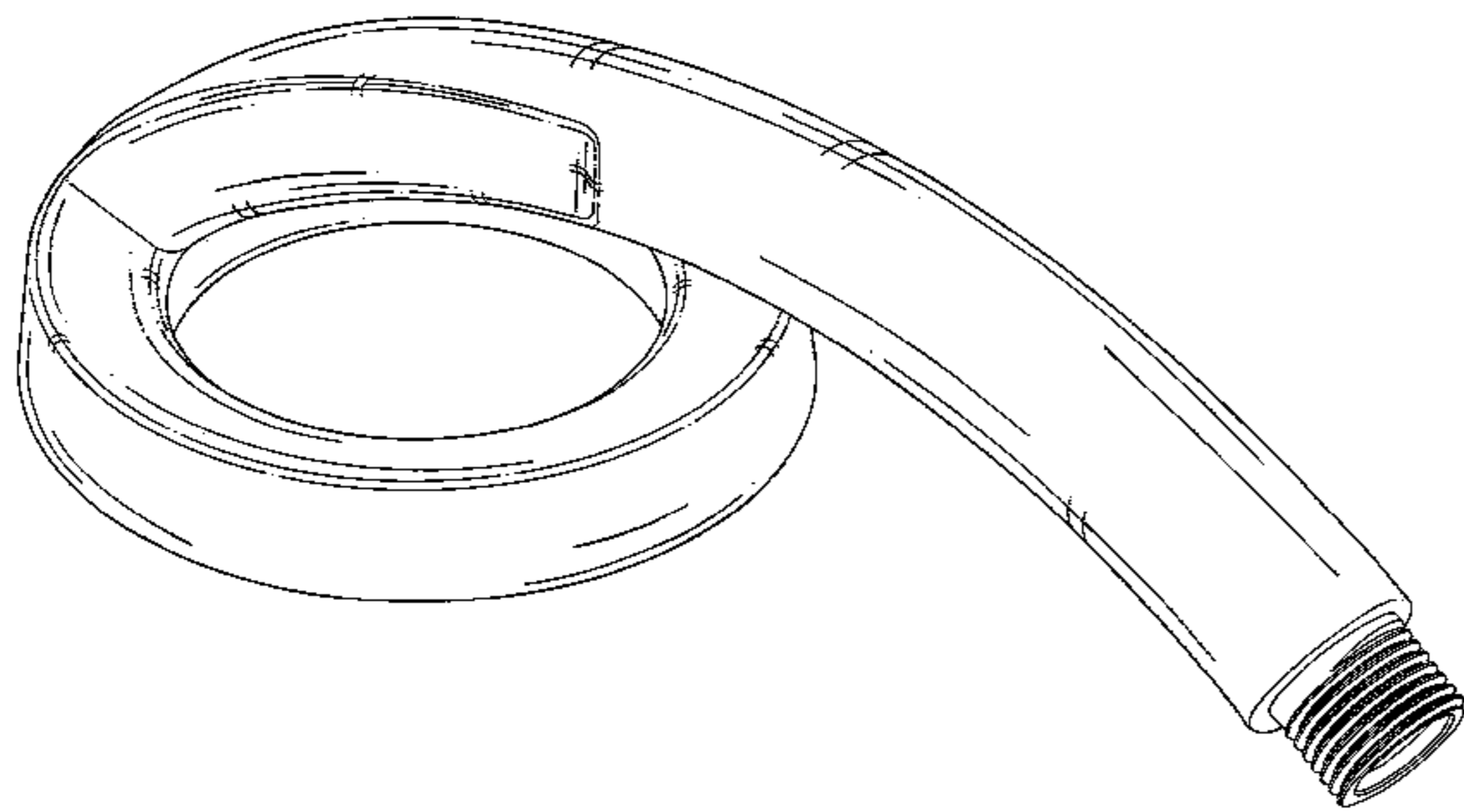
(57) **CLAIM**

The ornamental design for a spray head for showers, as shown and described.

**DESCRIPTION**

FIG. 1 is a top perspective view of a spray head for showers; FIG. 2 is a side view thereof, with the opposite side being a mirror image thereof; FIG. 3 is a front view thereof; FIG. 4 is a rear view thereof; FIG. 5 is a top view thereof; FIG. 6 is a bottom view thereof; and, FIG. 7 is a bottom perspective view thereof.

**1 Claim, 7 Drawing Sheets**



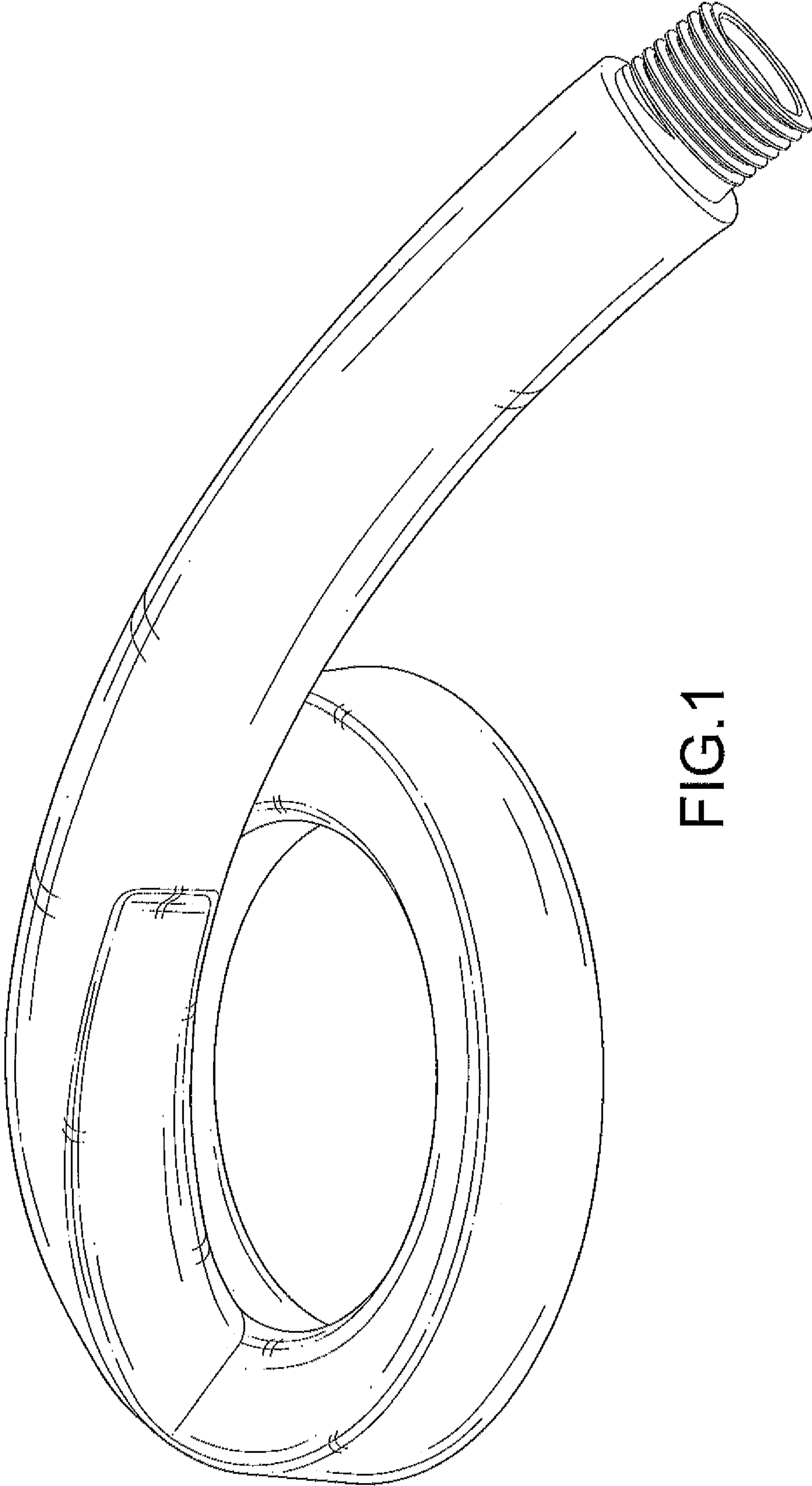


FIG.1

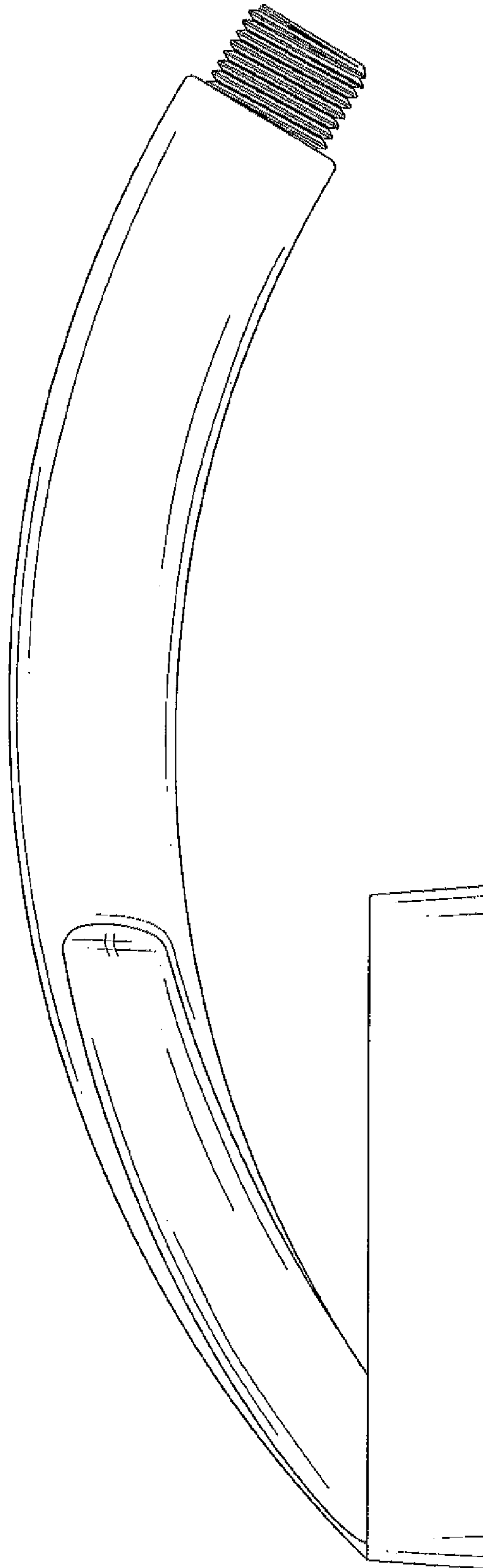


FIG.2

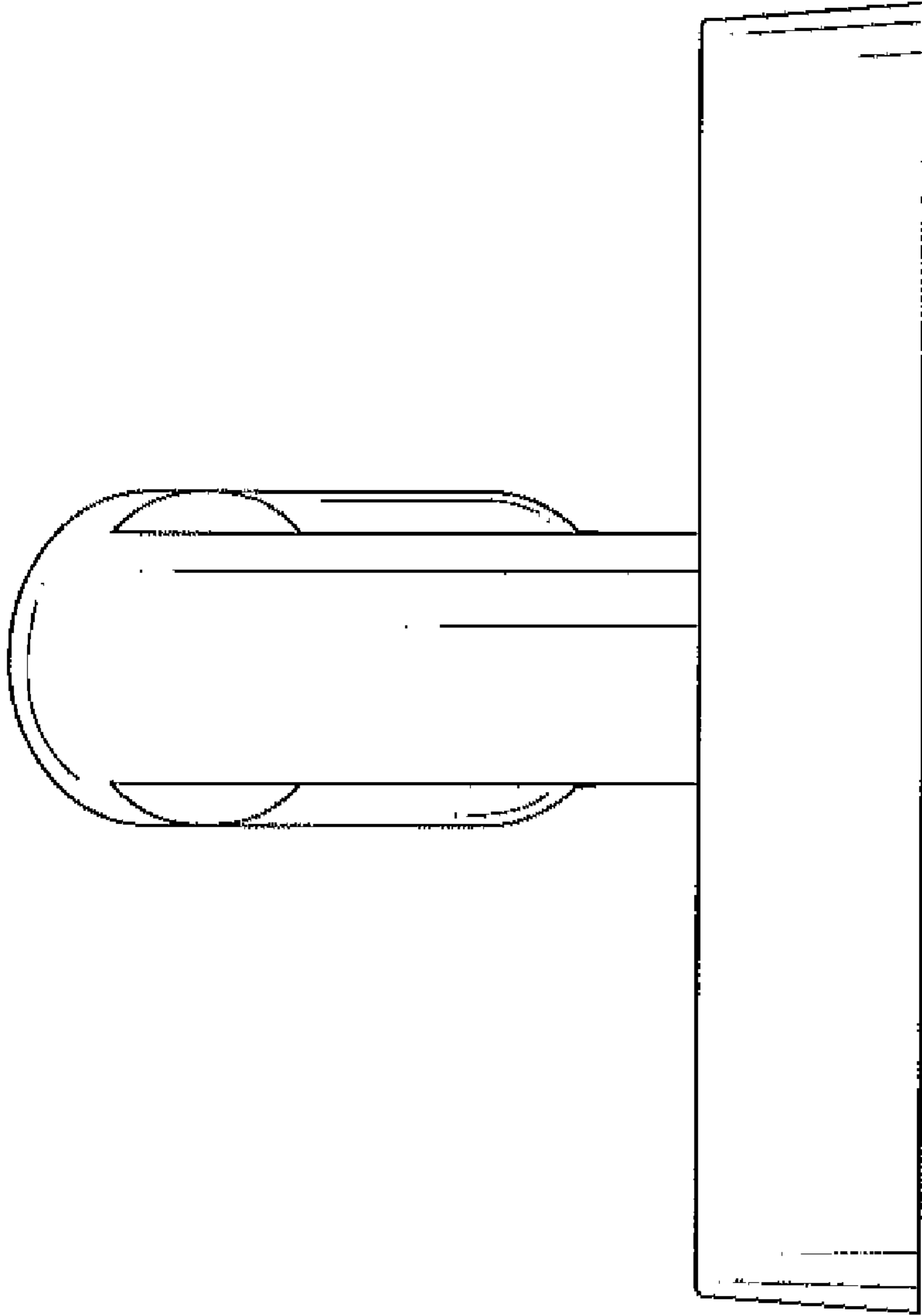


FIG.3

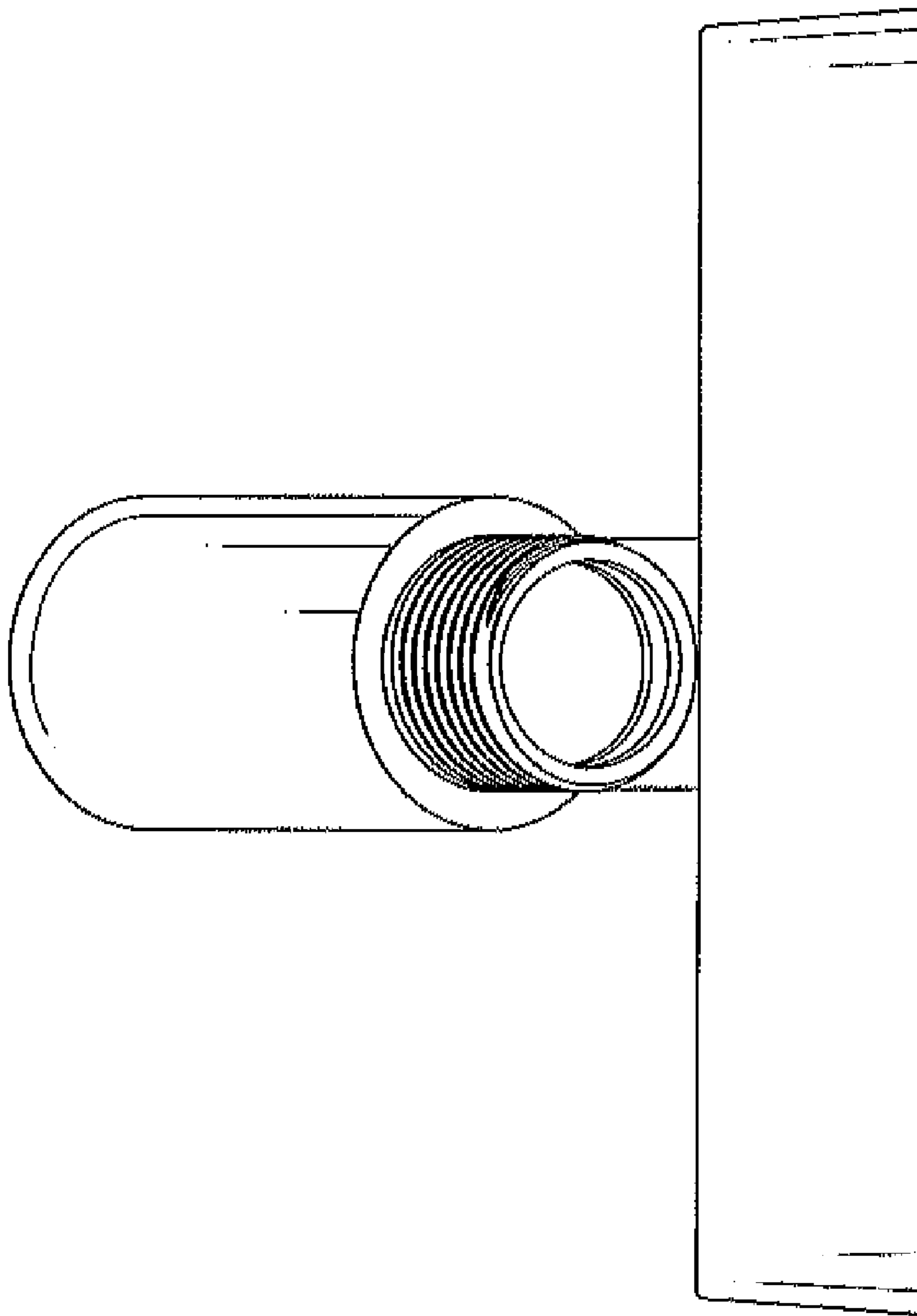


FIG.4

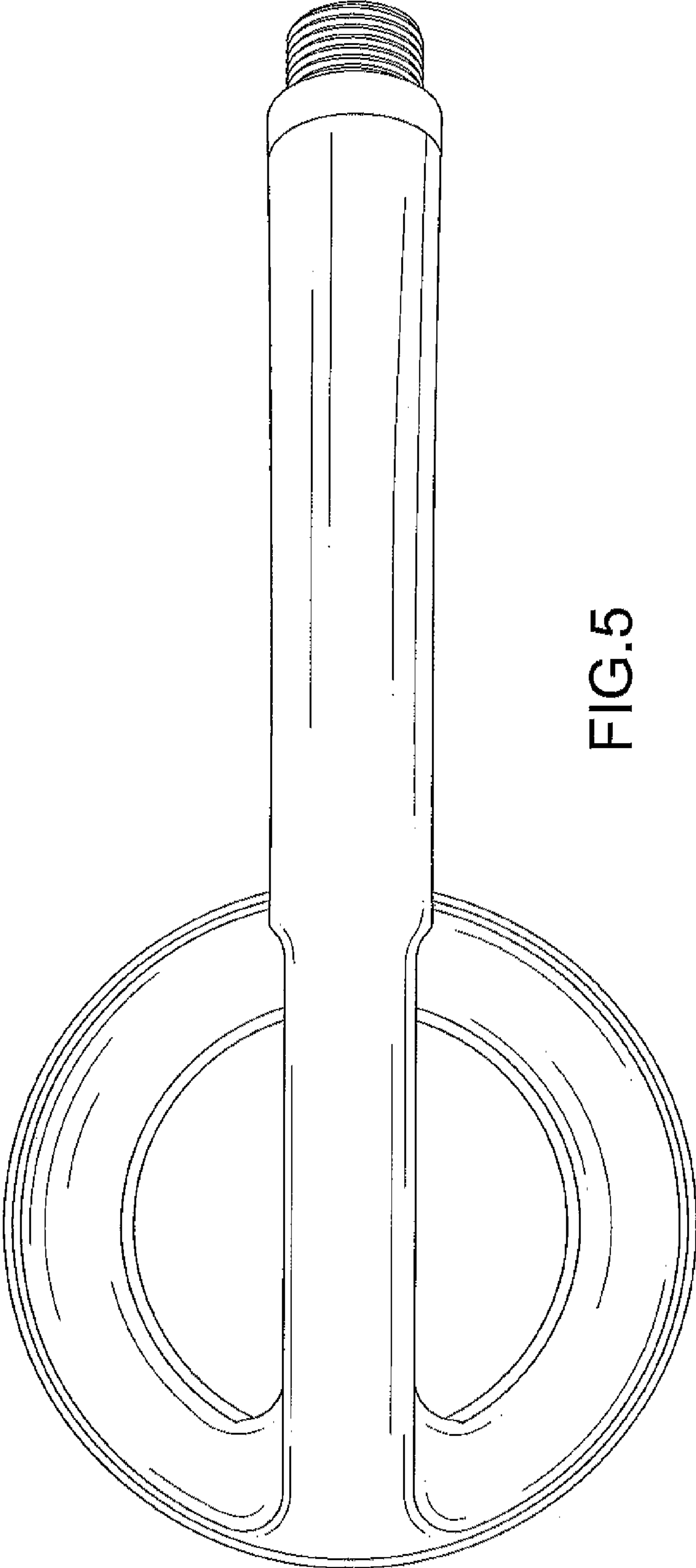


FIG.5

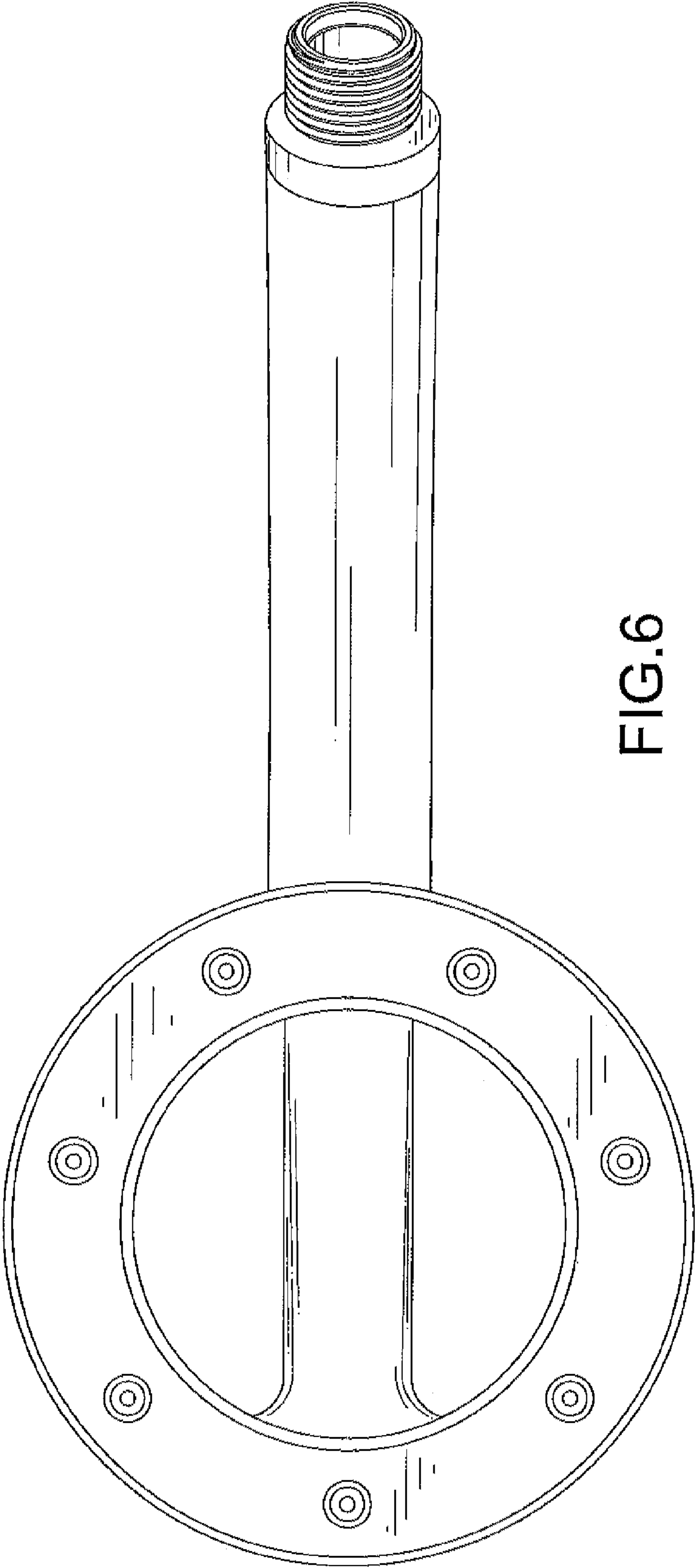


FIG.6

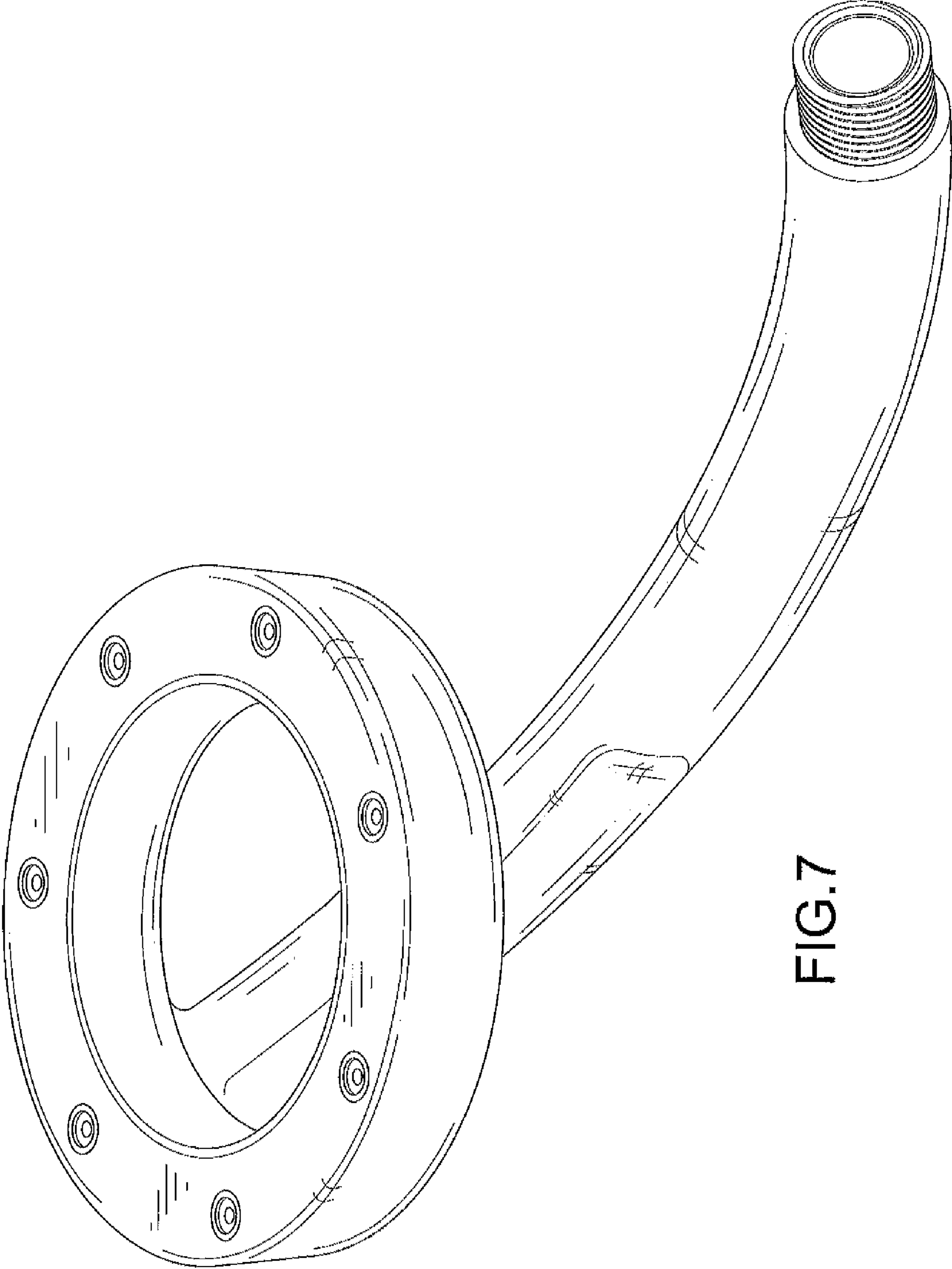


FIG. 7



UNITED STATES PATENT AND TRADEMARK OFFICE  
**CERTIFICATE OF CORRECTION**


PATENT NO. : D668,320 S  
APPLICATION NO. : 29/402535  
DATED : October 2, 2012  
INVENTOR(S) : Sven Weihreter

Page 1 of 1

It is certified that error appears in the above-identified patent and that said Letters Patent is hereby corrected as shown below:

Title page, after “(30) Foreign Application Priority Data”  
cancel “Mar. 23, 2011 (WO) .....DM/175,279” and  
substitute --Mar. 23, 2011 (WO) .....DM/075,279--.

Signed and Sealed this  
Eleventh Day of February, 2014



Michelle K. Lee  
*Deputy Director of the United States Patent and Trademark Office*

UNITED STATES PATENT AND TRADEMARK OFFICE  
**CERTIFICATE OF CORRECTION**

PATENT NO. : D668,320 S  
APPLICATION NO. : 29/402535  
DATED : October 2, 2012  
INVENTOR(S) : Sven Weihreter

Page 1 of 1

It is certified that error appears in the above-identified patent and that said Letters Patent is hereby corrected as shown below:

Title page, after “(30) Foreign Application Priority Data”  
cancel “Mar. 23, 2011 (WO) .....DM/175,279” and  
substitute --Mar. 25, 2011 (WO) .....DM/075,279--.

This certificate supersedes the Certificate of Correction issued February 11, 2014.

Signed and Sealed this  
Ninth Day of September, 2014



Michelle K. Lee  
*Deputy Director of the United States Patent and Trademark Office*

UNITED STATES PATENT AND TRADEMARK OFFICE  
**CERTIFICATE OF CORRECTION**

PATENT NO. : D668,320 S  
APPLICATION NO. : 29/402535  
DATED : October 2, 2012  
INVENTOR(S) : Sven Weihreter

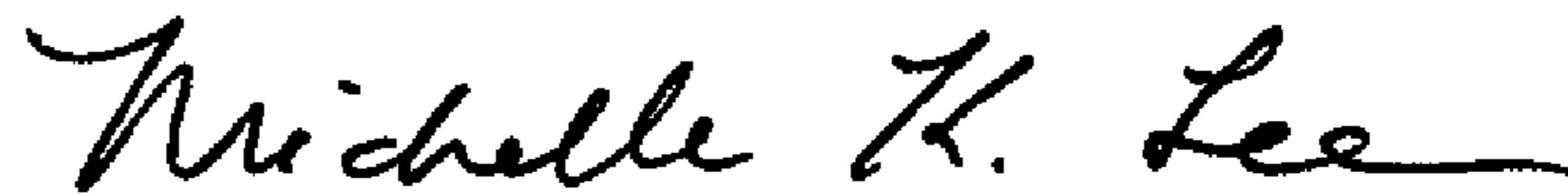
Page 1 of 1

It is certified that error appears in the above-identified patent and that said Letters Patent is hereby corrected as shown below:

Title page, after “(30) Foreign Application Priority Data”  
cancel “Mar. 23, 2011 (WO) .....DM/175,279” and  
substitute --Mar. 23, 2011 (WO) .....DM/075,679--.

This certificate supersedes the Certificate of Correction issued February 11, 2014.

Signed and Sealed this  
Twentieth Day of January, 2015



Michelle K. Lee  
*Deputy Director of the United States Patent and Trademark Office*

UNITED STATES PATENT AND TRADEMARK OFFICE  
**CERTIFICATE OF CORRECTION**

PATENT NO. : D668,320 S  
APPLICATION NO. : 29/402535  
DATED : October 2, 2012  
INVENTOR(S) : Sven Weihreter

Page 1 of 1

It is certified that error appears in the above-identified patent and that said Letters Patent is hereby corrected as shown below:

Title page, after “(30) Foreign Application Priority Data”  
cancel “Mar. 23, 2011 (WO) .....DM/175,279” and  
substitute --Mar. 25, 2011 (WO) .....DM/075,279--.

This certificate supersedes the Certificate of Correction issued February 11, 2014.

Signed and Sealed this  
Twenty-eighth Day of April, 2015



Michelle K. Lee  
*Director of the United States Patent and Trademark Office*

UNITED STATES PATENT AND TRADEMARK OFFICE  
**CERTIFICATE OF CORRECTION**

PATENT NO. : D668,320 S  
APPLICATION NO. : 29/402535  
DATED : October 2, 2012  
INVENTOR(S) : Sven Weihreter

Page 1 of 1

It is certified that error appears in the above-identified patent and that said Letters Patent is hereby corrected as shown below:

Title page, after “(30) Foreign Application Priority Data”  
cancel “Mar. 23, 2011 (WO) .....DM/175,279” and  
substitute --Mar. 25, 2011 (WO) .....DM/075,679--

This certificate supersedes the Certificate of Correction issued February 11, 2014, September 9, 2014, January 20, 2015 and April 28, 2015.

Signed and Sealed this  
Twelfth Day of July, 2016



Michelle K. Lee  
*Director of the United States Patent and Trademark Office*