



US00D668318S

(12) **United States Design Patent**
DiTullio

(10) **Patent No.:** **US D668,318 S**

(45) **Date of Patent:** **** Oct. 2, 2012**

(54) **HIGH CAPACITY WATER STORAGE CHAMBER WITH END WALLS**

(76) Inventor: **Robert J. DiTullio**, Warren, CT (US)

(**) Term: **14 Years**

(21) Appl. No.: **29/407,448**

(22) Filed: **Nov. 29, 2011**

(51) **LOC (9) Cl.** **23-01**

(52) **U.S. Cl.** **D23/207**

(58) **Field of Classification Search** D23/207,
D23/209; 210/170.03; 405/42, 43, 48, 49
See application file for complete search history.

(56) **References Cited**

U.S. PATENT DOCUMENTS

5,087,151	A	2/1992	DiTullio	
D329,684	S *	9/1992	Gray	D23/207
5,419,838	A	5/1995	DiTullio	
5,773,756	A	6/1998	DiTullio	
6,129,482	A	10/2000	DiTullio	
6,322,288	B1	11/2001	DiTullio	
D477,381	S *	7/2003	Benecke	D23/207
6,679,653	B1	1/2004	DiTullio	
6,719,490	B2 *	4/2004	Maestro	405/46
6,854,925	B2	2/2005	DiTullio	
D537,912	S *	3/2007	Benecke	D23/207
D538,387	S *	3/2007	Benecke	D23/207
7,226,241	B2	6/2007	DiTullio	
7,465,122	B2 *	12/2008	Brochu et al.	405/43
7,500,805	B1 *	3/2009	Brochu et al.	405/43
7,517,172	B2 *	4/2009	Sipaila	405/45

7,637,691	B1	12/2009	DiTullio	
D613,819	S	4/2010	DiTullio	
7,806,627	B2 *	10/2010	DiTullio	405/49
D630,294	S *	1/2011	Hardesty et al.	D23/207
D638,095	S *	5/2011	DiTullio	D23/202
2004/0101369	A1	5/2004	DiTullio	
2004/0184884	A1	9/2004	DiTullio	
2010/0008727	A1	1/2010	DiTullio	
2010/0196099	A1	8/2010	DiTullio	

* cited by examiner

Primary Examiner — Robin V Webster

(74) *Attorney, Agent, or Firm* — St. Onge Steward Johnston & Reens LLC

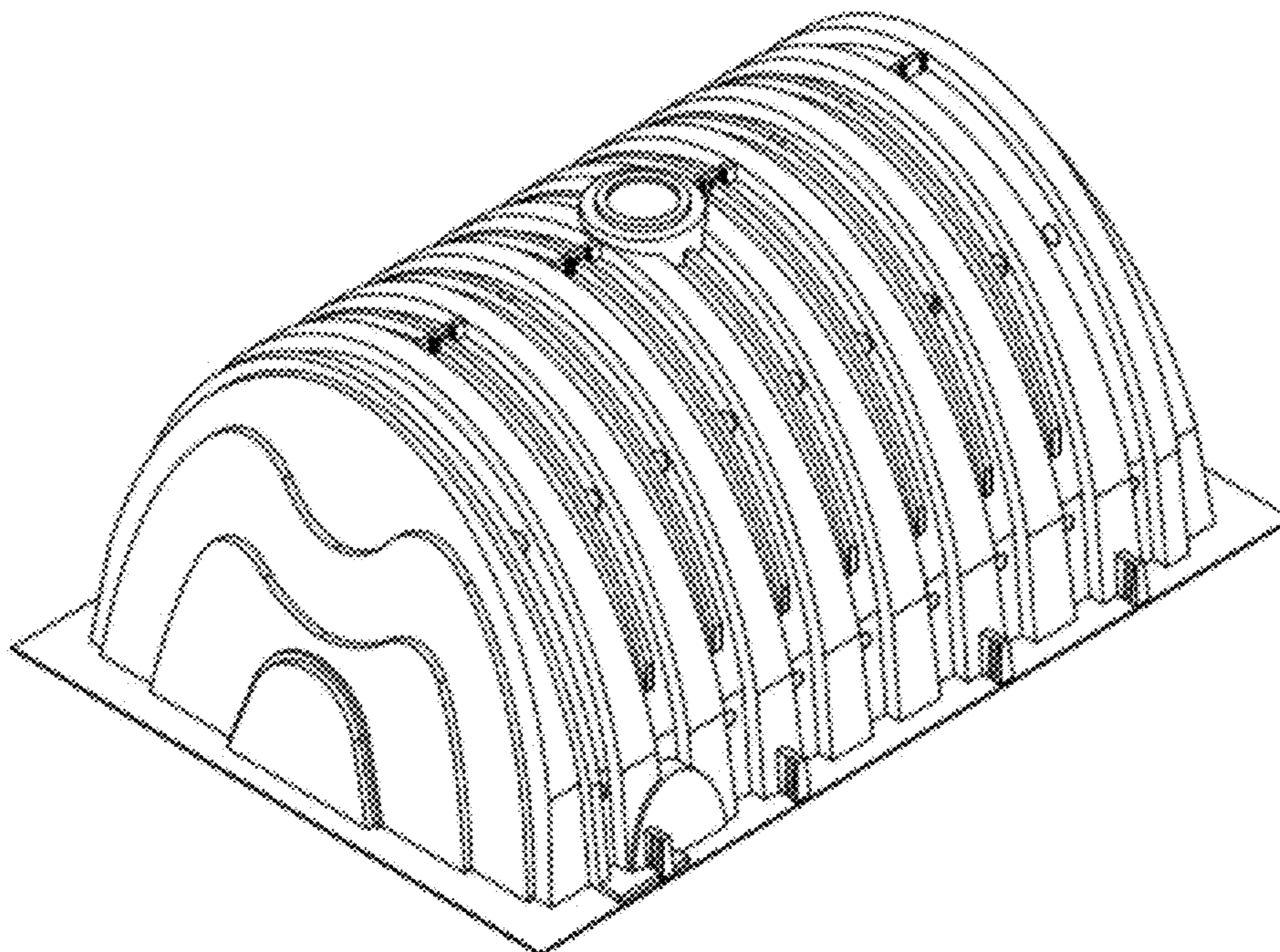
(57) **CLAIM**

The ornamental design for a high capacity water storage chamber with end walls, as shown and described.

DESCRIPTION

FIG. 1 is a front, top, and left side isometric view of a high capacity water storage chamber with end walls in accordance with the new design;
FIG. 2 is a front, top, and right side isometric view thereof;
FIG. 3 is a front elevation view thereof;
FIG. 4 is a right side elevation view thereof;
FIG. 5 is rear elevation view thereof;
FIG. 6 is a left side elevation view thereof; and,
FIG. 7 is a bottom plan view thereof.

1 Claim, 7 Drawing Sheets



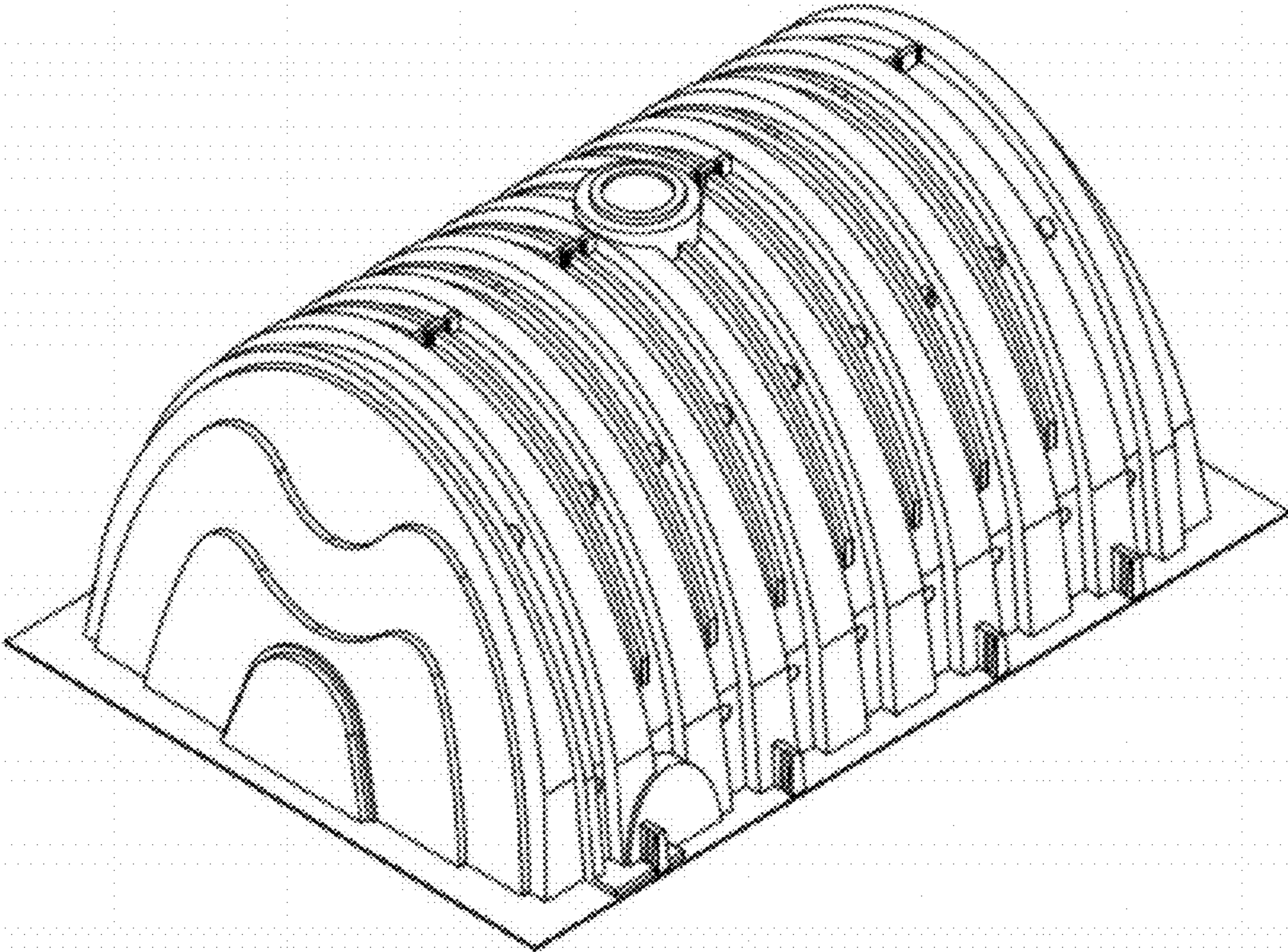


FIG. 1

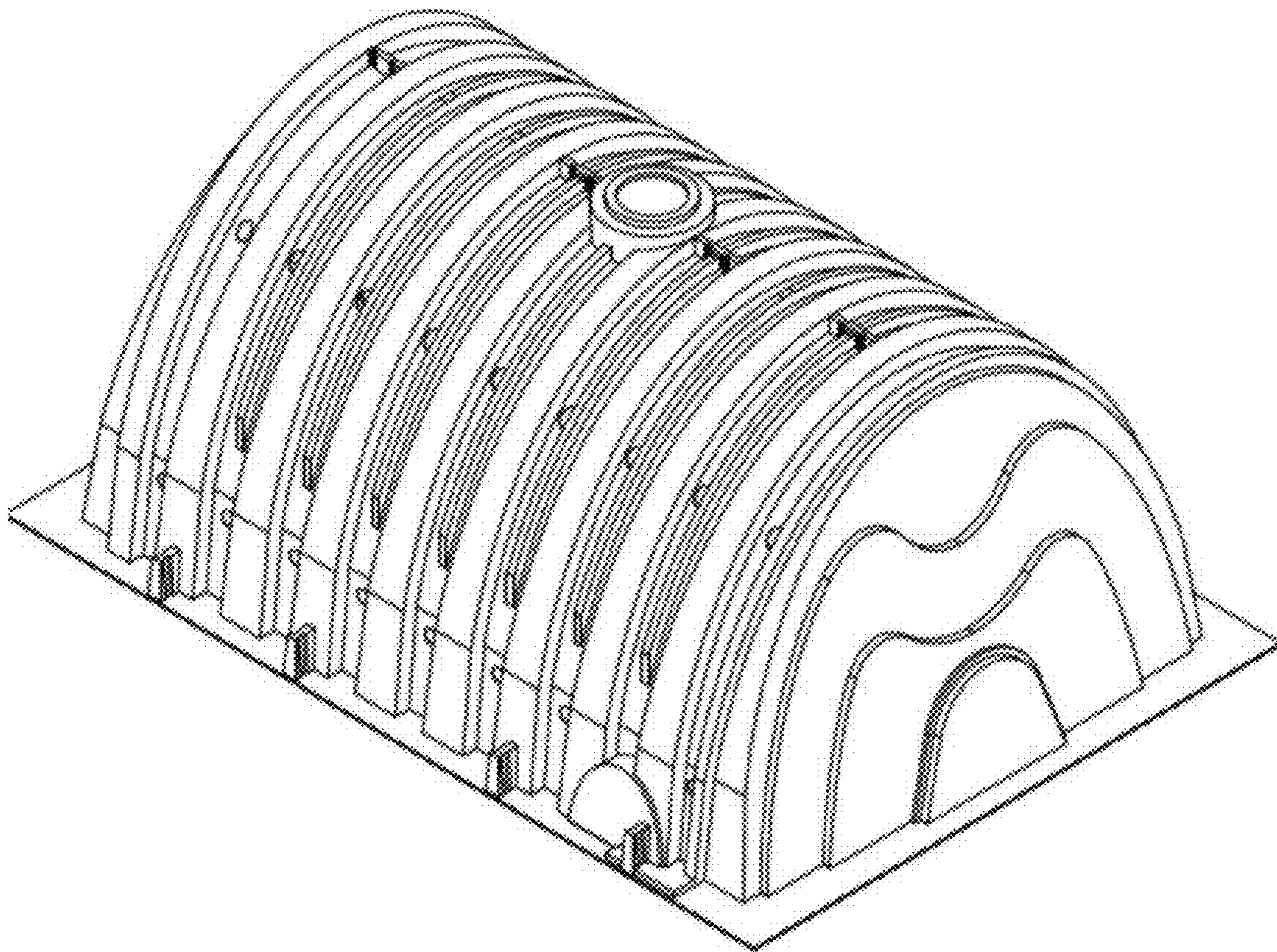


FIG. 2

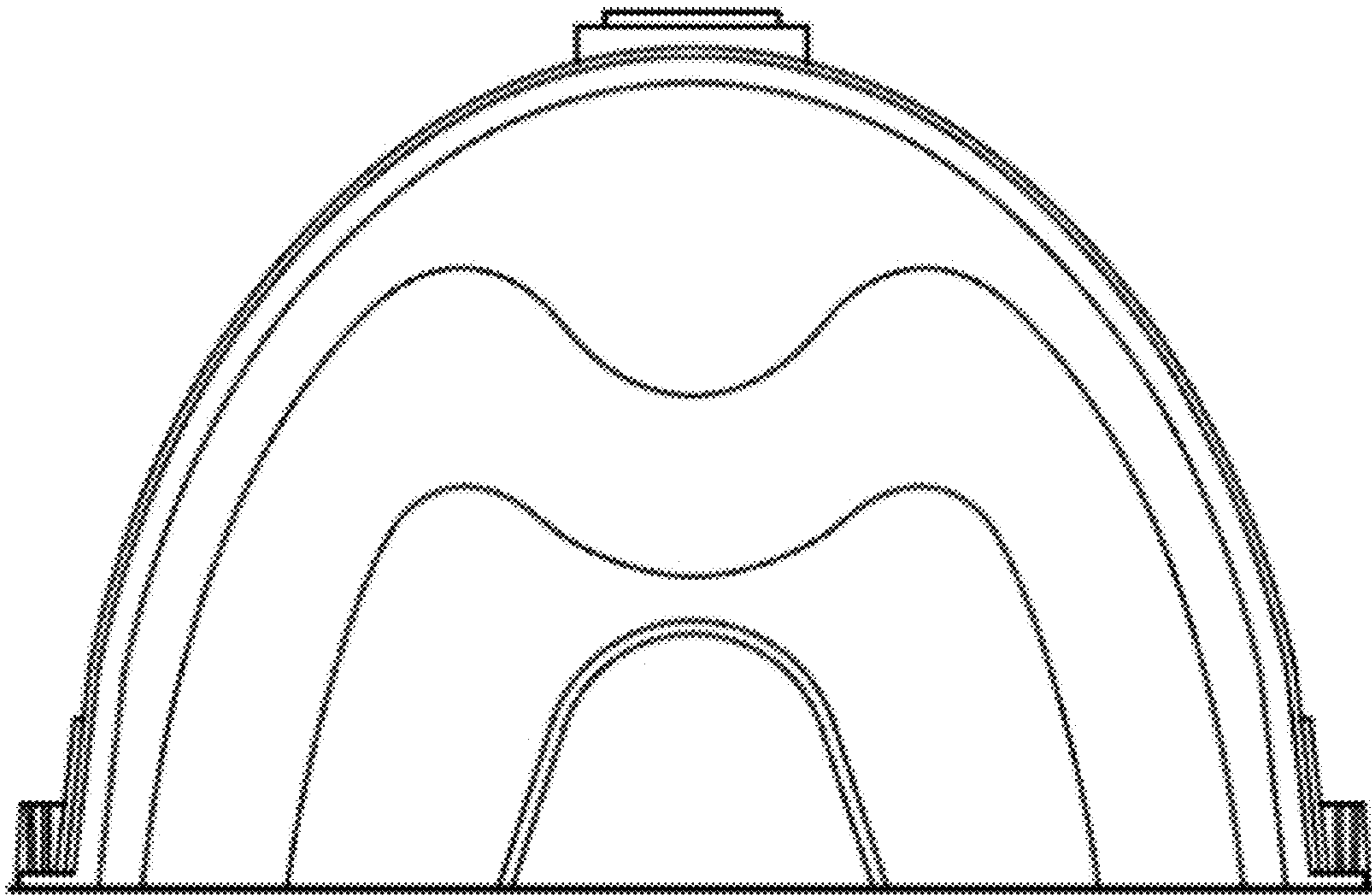


FIG. 3

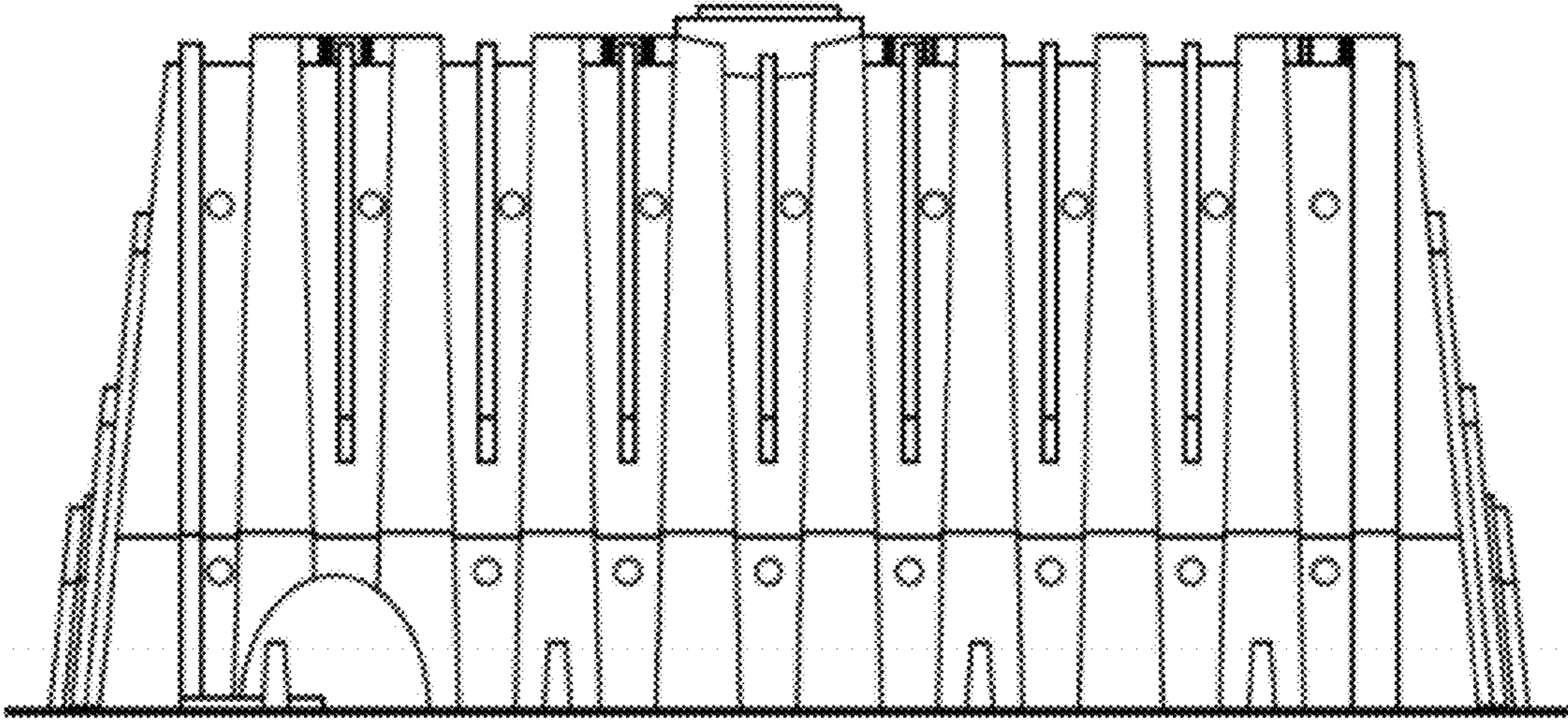


FIG. 4

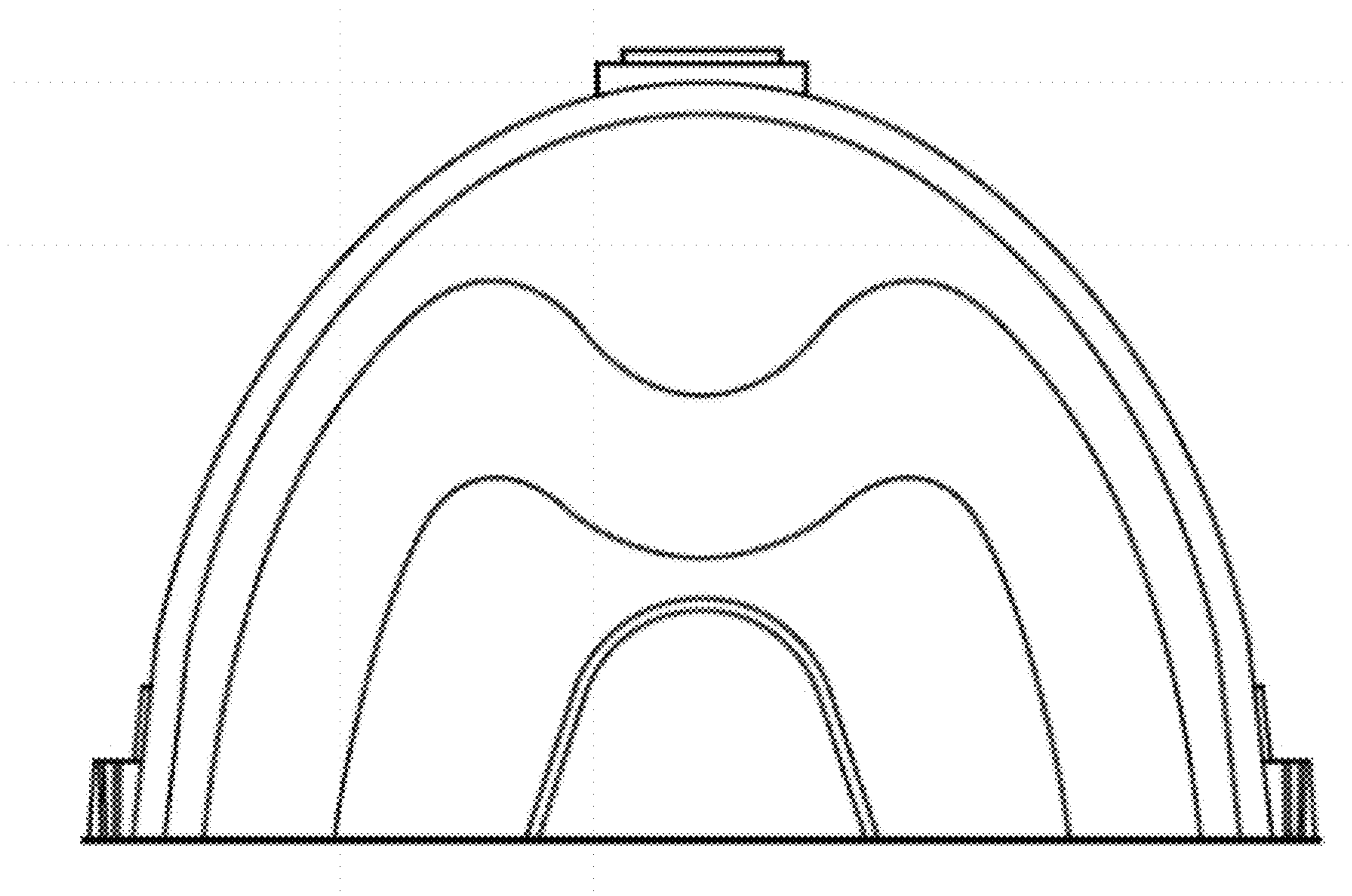


FIG. 5

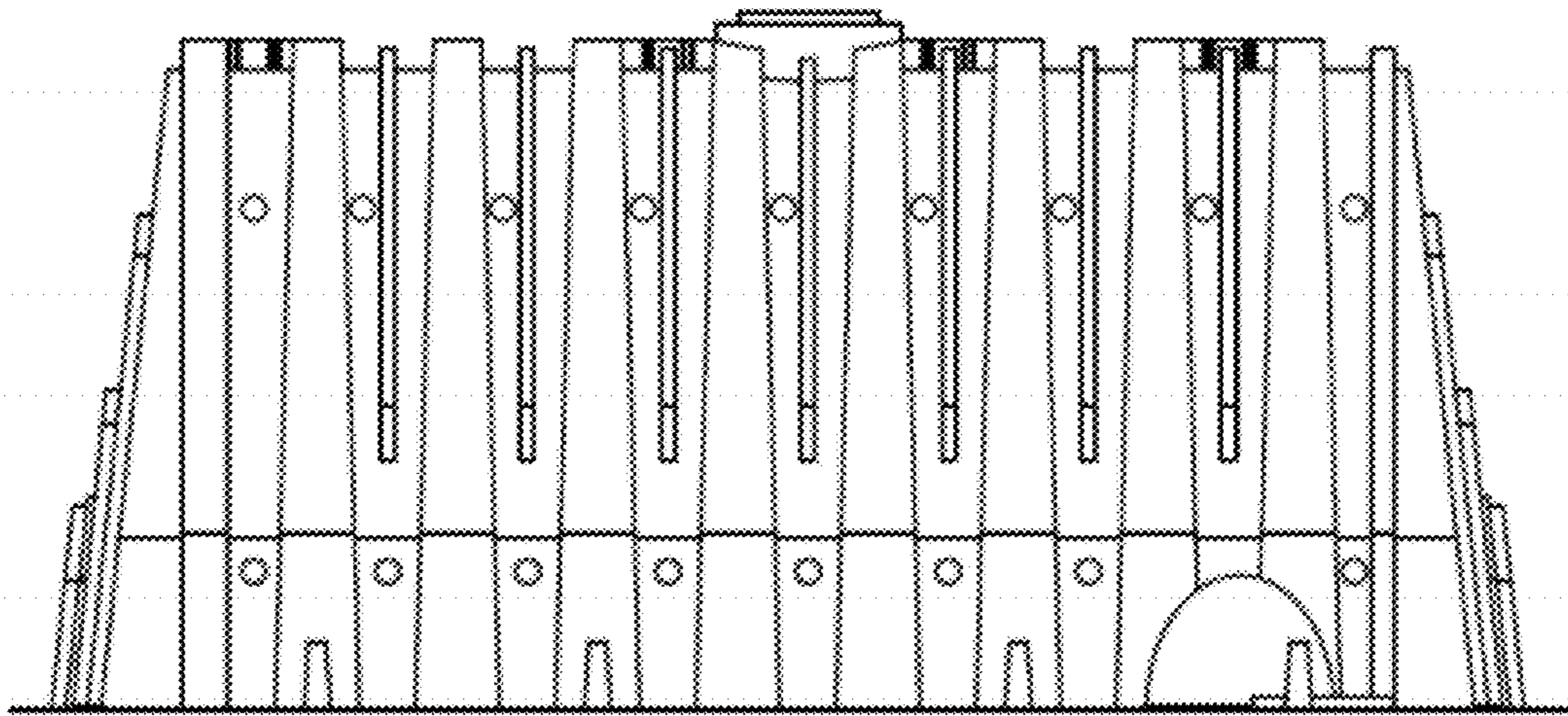


FIG. 6

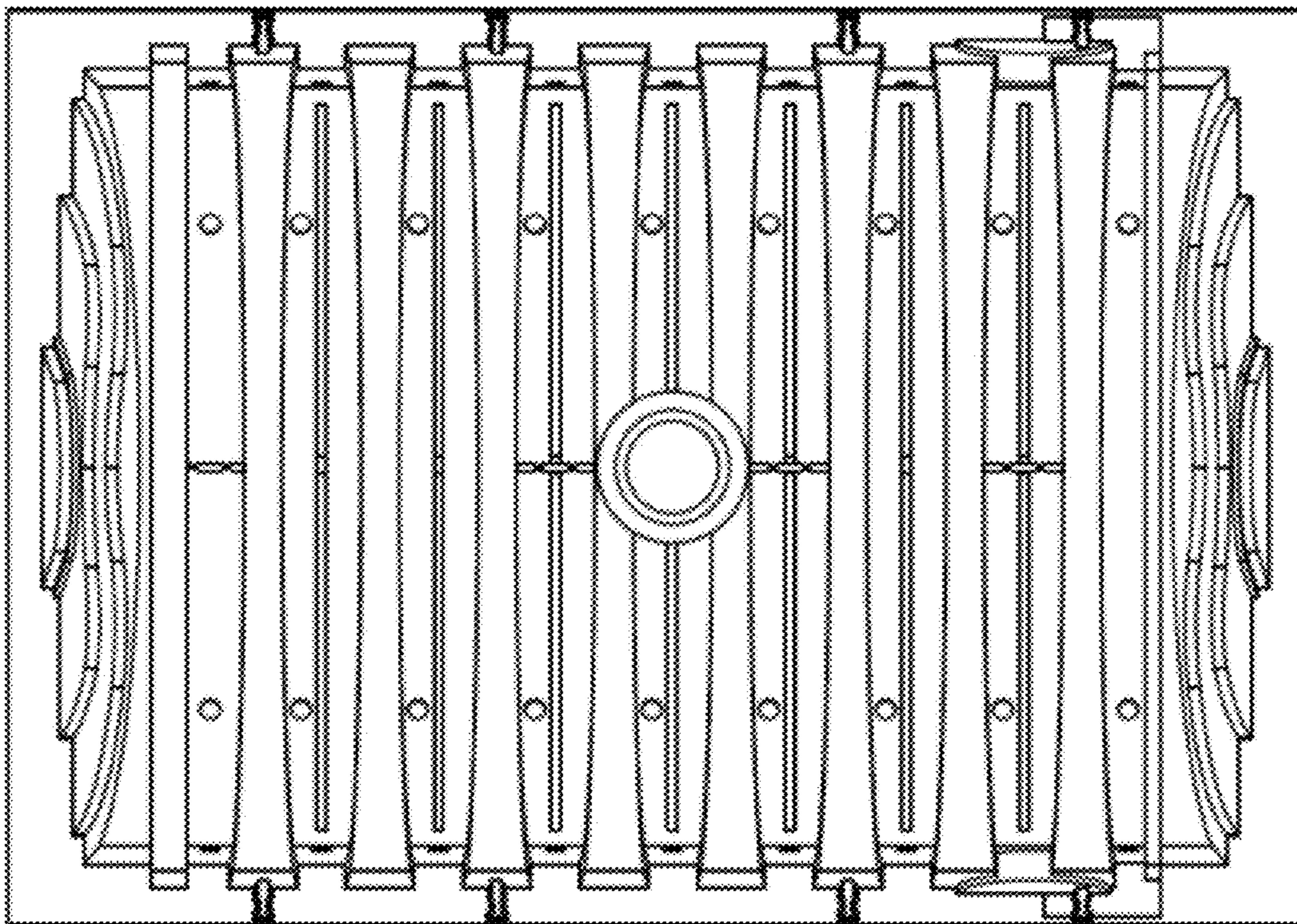


FIG. 7