



US00D668316S

(12) **United States Design Patent**
Lin

(10) **Patent No.:** **US D668,316 S**

(45) **Date of Patent:** **** Oct. 2, 2012**

(54) **FISHING ROD REEL SEAT**

(76) **Inventor:** **Yi-Te Lin, Tainan (TW)**

(**) **Term:** **14 Years**

(21) **Appl. No.:** **29/416,056**

(22) **Filed:** **Mar. 16, 2012**

(51) **LOC (9) Cl.** **22-05**

(52) **U.S. Cl.** **D22/142**

(58) **Field of Classification Search** D22/142,
D22/134, 137-139; 43/22-23
See application file for complete search history.

(56) **References Cited**

U.S. PATENT DOCUMENTS

5,363,585 A * 11/1994 Ohmura 43/23
D418,194 S * 12/1999 Oyama et al. D22/142
D425,170 S * 5/2000 Ohmura D22/142

D569,945 S * 5/2008 Omura D22/142
D607,533 S * 1/2010 Ezuka et al. D22/142
D613,366 S * 4/2010 Lin D22/142

* cited by examiner

Primary Examiner — Catheri Oliver-Garcia

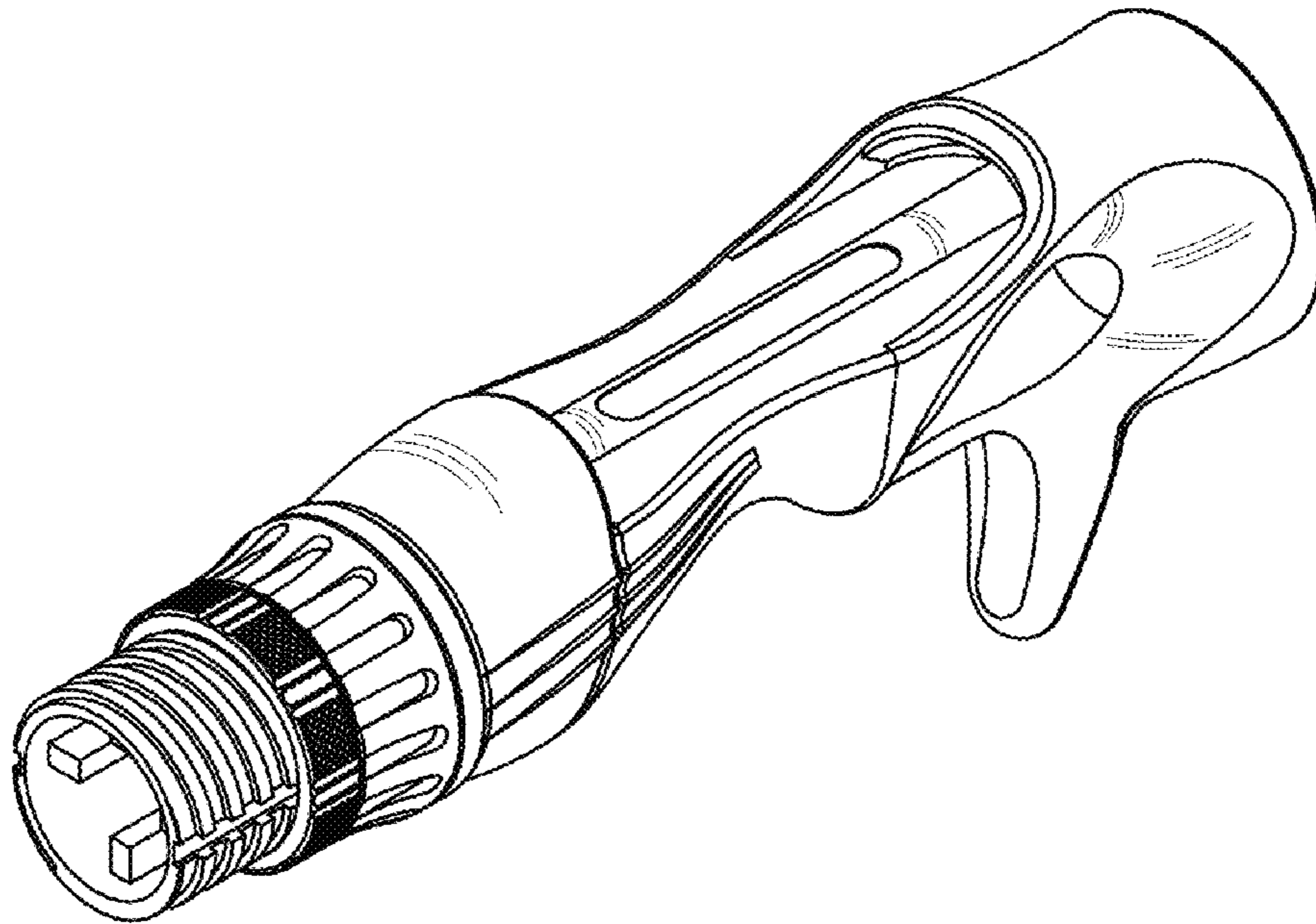
(57) **CLAIM**

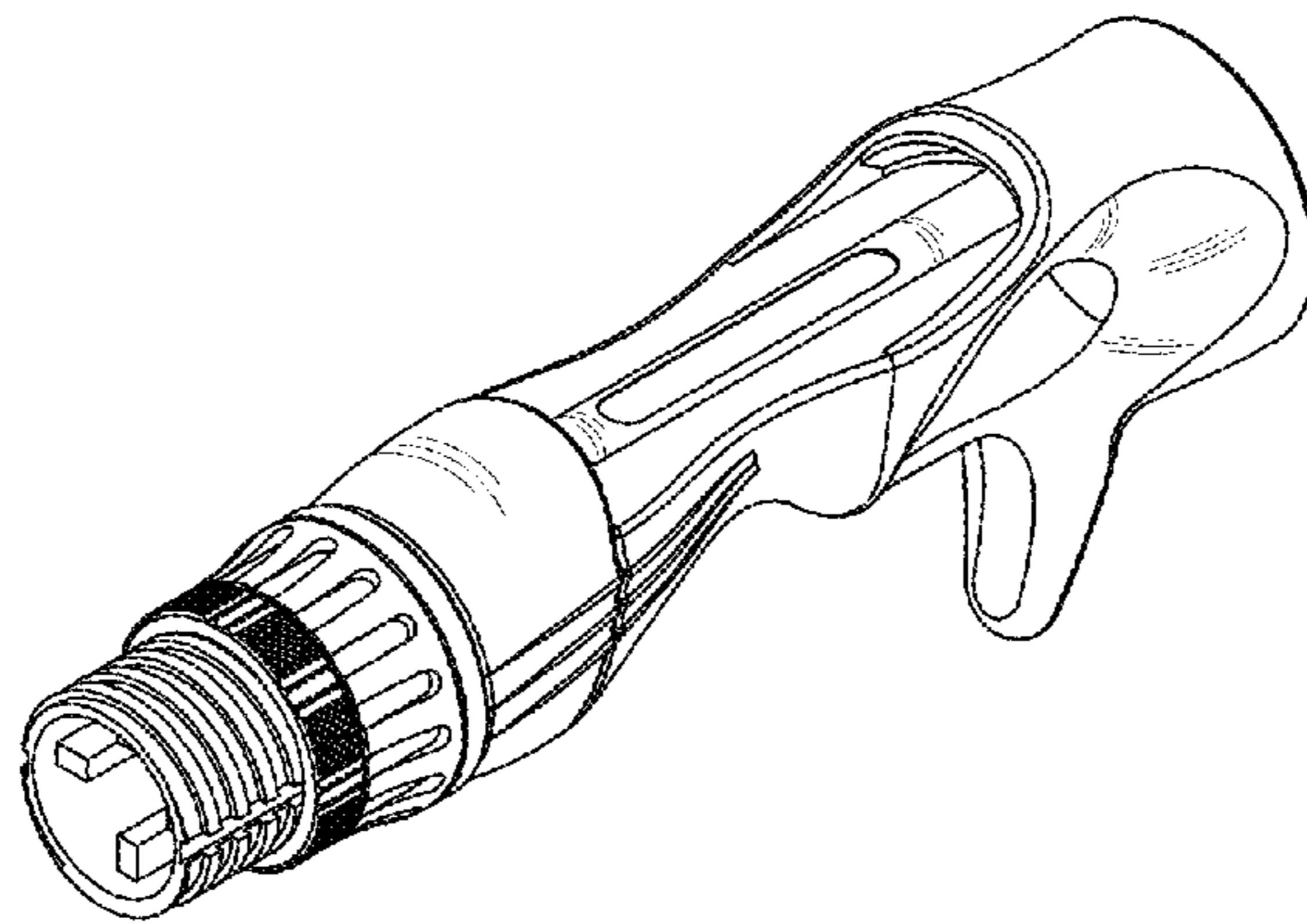
The ornamental design for the fishing rod reel seat, as shown and described.

DESCRIPTION

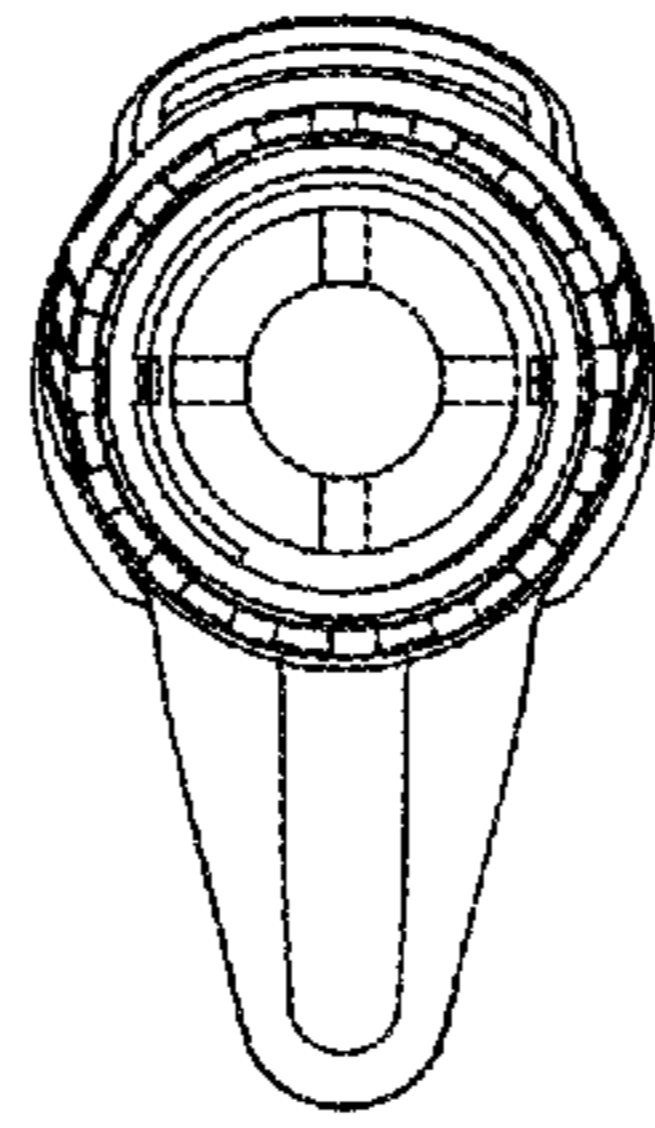
FIG. 1 is a perspective view of the fishing rod reel seat showing my new design;
FIG. 2 is a front elevation view thereof;
FIG. 3 is a rear elevation view thereof;
FIG. 4 is a left side elevation view thereof;
FIG. 5 is a right side elevation view thereof;
FIG. 6 is a top plan view thereof; and,
FIG. 7 is a bottom plan view thereof.

1 Claim, 5 Drawing Sheets

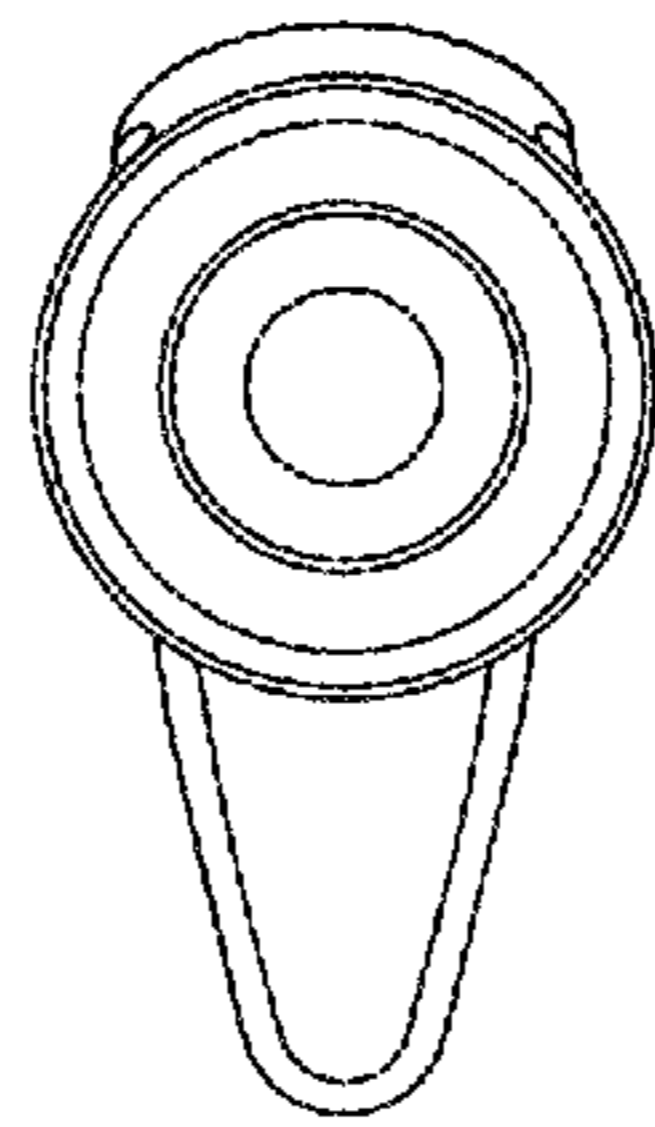




F I G . 1



F I G . 2



F I G . 3

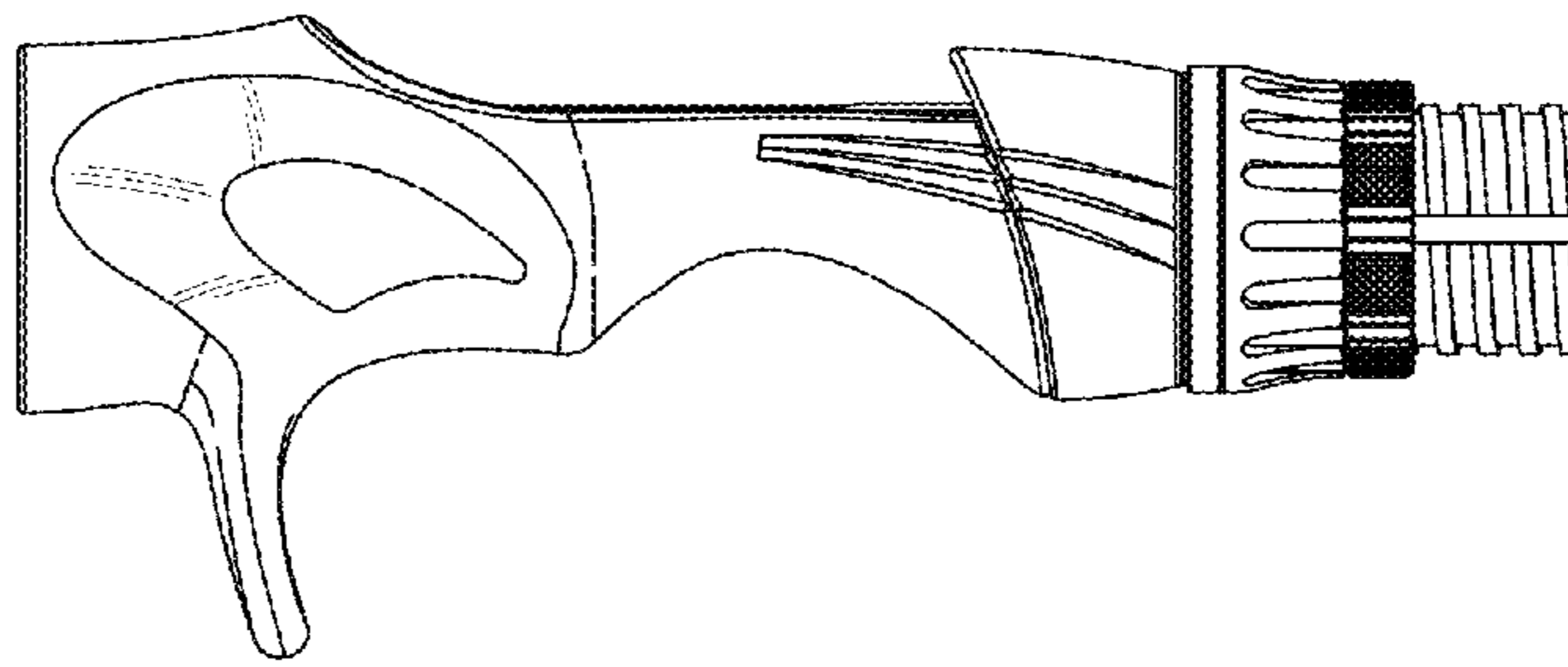


FIG. 4

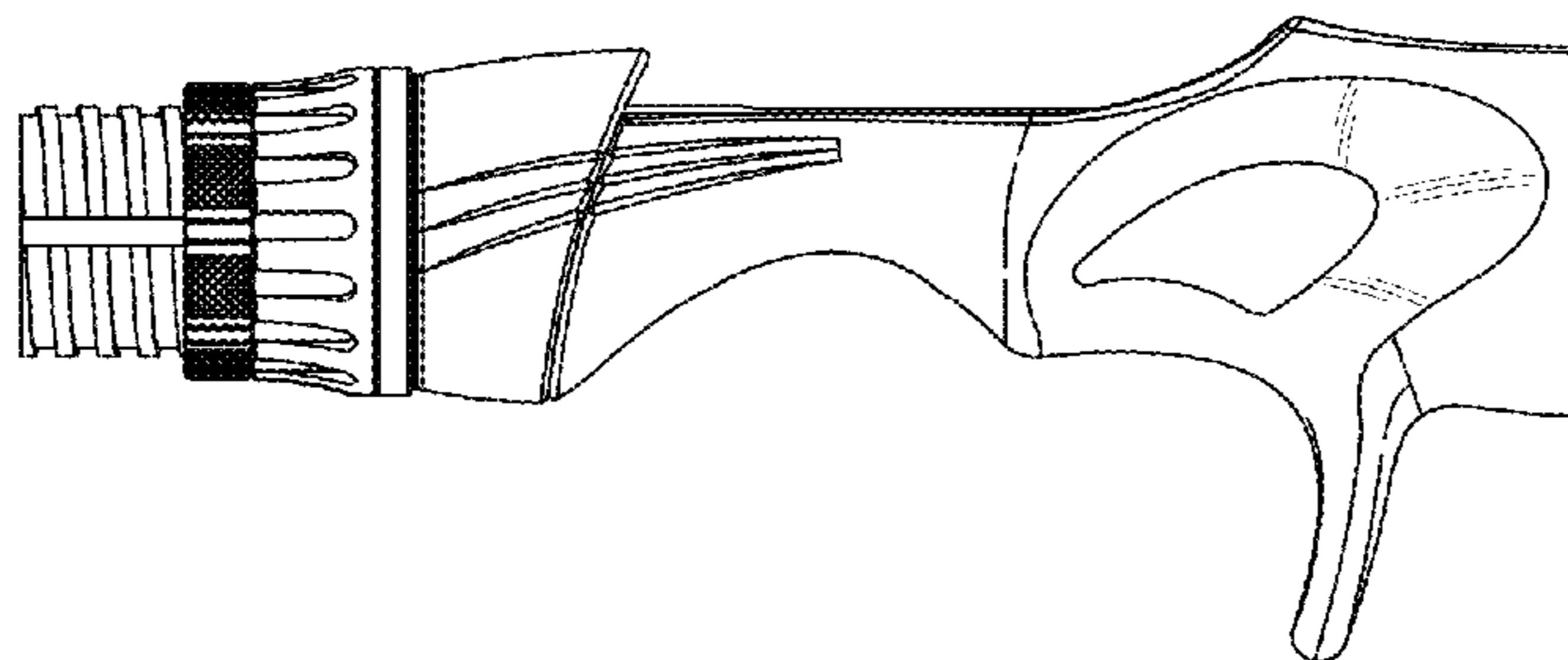
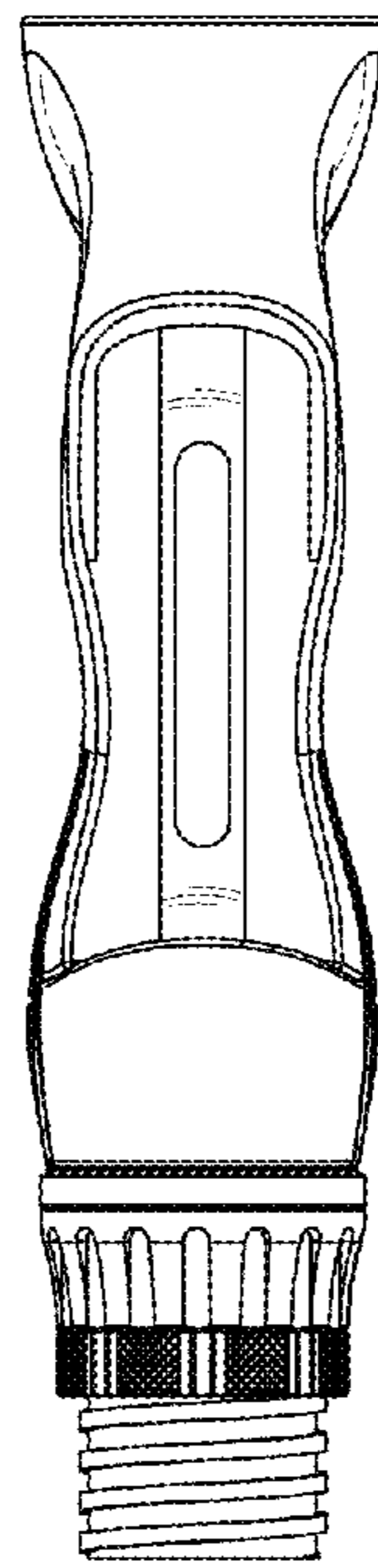


FIG. 5



F I G . 6

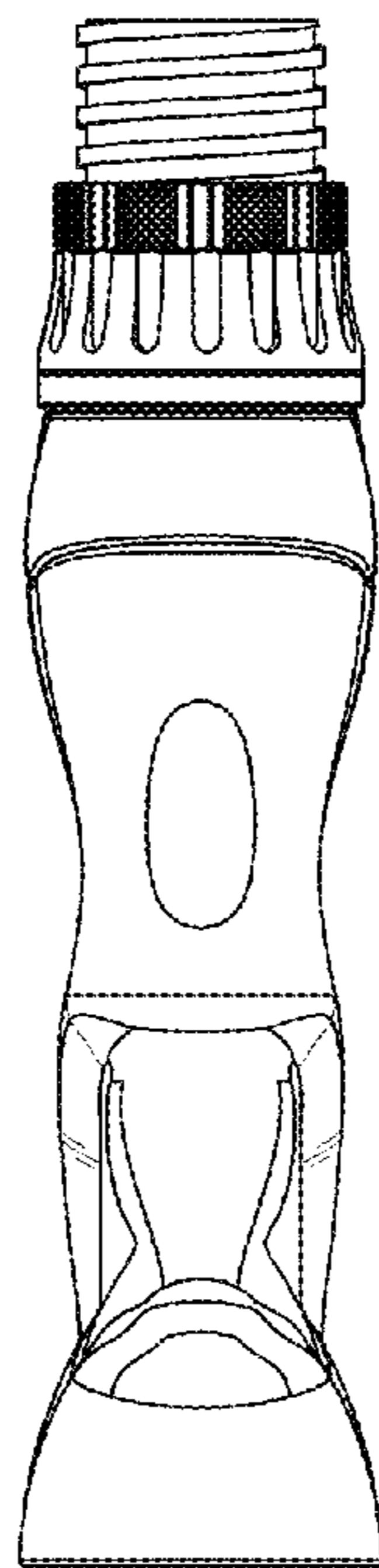


FIG. 7