

US00D668315S

(12) **United States Design Patent**
Sapienza

(10) **Patent No.:** **US D668,315 S**

(45) **Date of Patent:** **** Oct. 2, 2012**

(54) **FISHING LURE WITH ROTATING REFLECTIVE SPINNERS**

(76) Inventor: **Thomas F. Sapienza**, Oswego, IL (US)

(**) Term: **14 Years**

(21) Appl. No.: **29/413,089**

(22) Filed: **Feb. 10, 2012**

(51) **LOC (9) Cl.** **22-05**

(52) **U.S. Cl.** **D22/131**

(58) **Field of Classification Search** D22/126-133;
43/42.13, 42.28, 42.27, 42.08, 42.05, 42.11,
43/44.9, 42.49, 42.16, 42.39

See application file for complete search history.

(56) **References Cited**

U.S. PATENT DOCUMENTS

2,167,945	A	8/1939	Gilliam	
2,261,433	A	11/1941	Demory	
2,266,234	A	12/1941	Mitchell	
2,734,301	A *	2/1956	Fuqua	43/42.05
4,201,007	A	5/1980	Backstrom	
4,201,008	A	5/1980	Sparkman	
D257,382	S	10/1980	Williams, Jr.	
4,510,710	A	4/1985	Hanna et al.	
D381,062	S *	7/1997	Hansen et al.	D22/133
D398,036	S	9/1998	Berryman	
D418,898	S *	1/2000	Luckey	D22/131

D436,644	S *	1/2001	Johnson	D22/131
D471,951	S	3/2003	Bowman	
D493,508	S	7/2004	Kierst	
D552,706	S	10/2007	Stanley	
D561,867	S *	2/2008	Anderson	D22/133
D588,673	S *	3/2009	Leppala	D22/133

OTHER PUBLICATIONS

Secret Weapon. Sidearm Spinnerbaits. <http://www.secretweaponlures.com/products/sidearm.htm>.

* cited by examiner

Primary Examiner — Catheri Oliver-Garcia

(74) *Attorney, Agent, or Firm* — Montgomery Patent & Design, LLC; Robert C. Montgomery; Joseph Yaksich

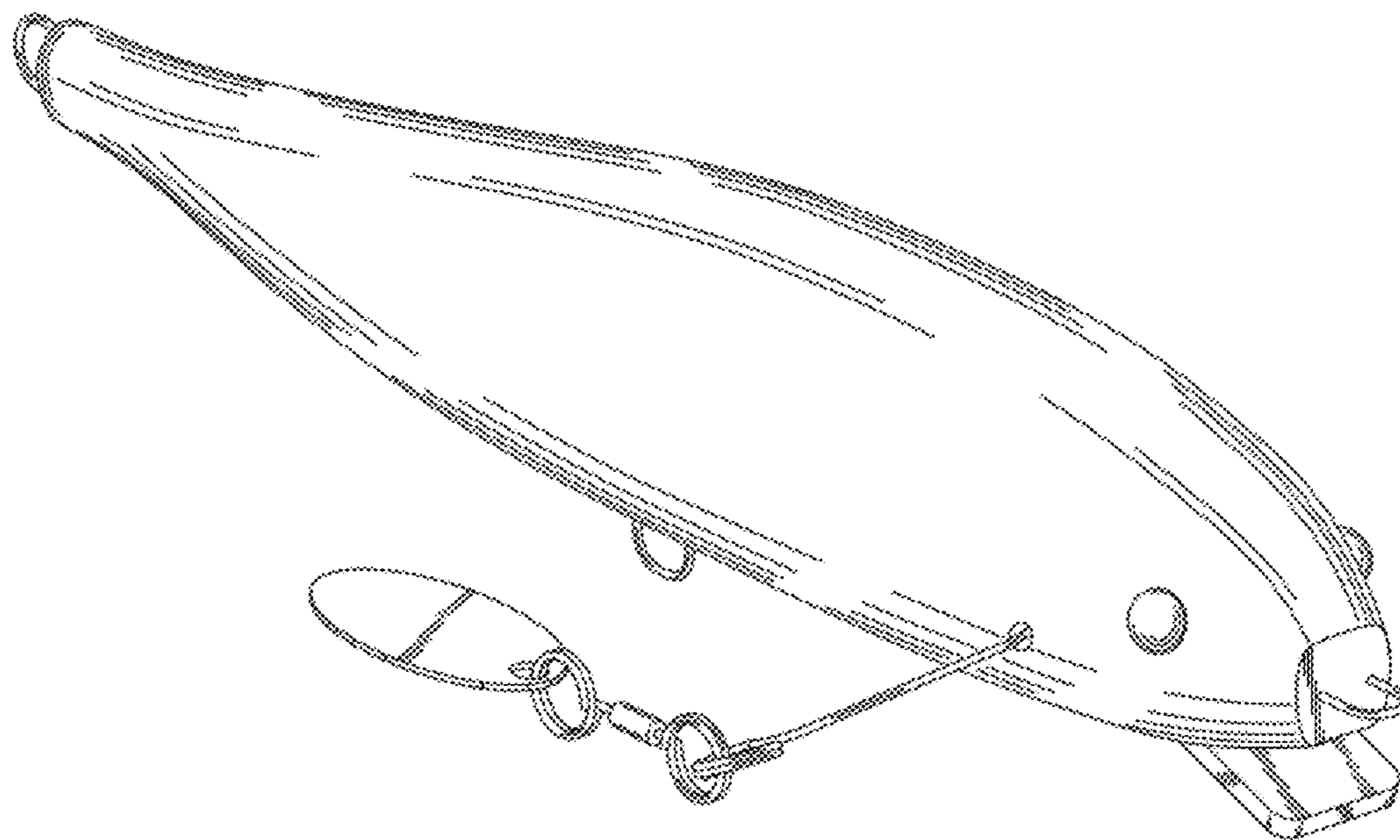
(57) **CLAIM**

The ornamental design for a fishing lure with rotating reflective spinners, as shown and described.

DESCRIPTION

FIG. 1 is a perspective view of a fishing lure with rotating reflective spinners, showing my new design;
FIG. 2 is a front view thereof;
FIG. 3 is a rear view thereof;
FIG. 4 is a left side view thereof with a right side view being a mirror image;
FIG. 5 is a top view thereof; and,
FIG. 6 is a bottom view thereof.

1 Claim, 6 Drawing Sheets



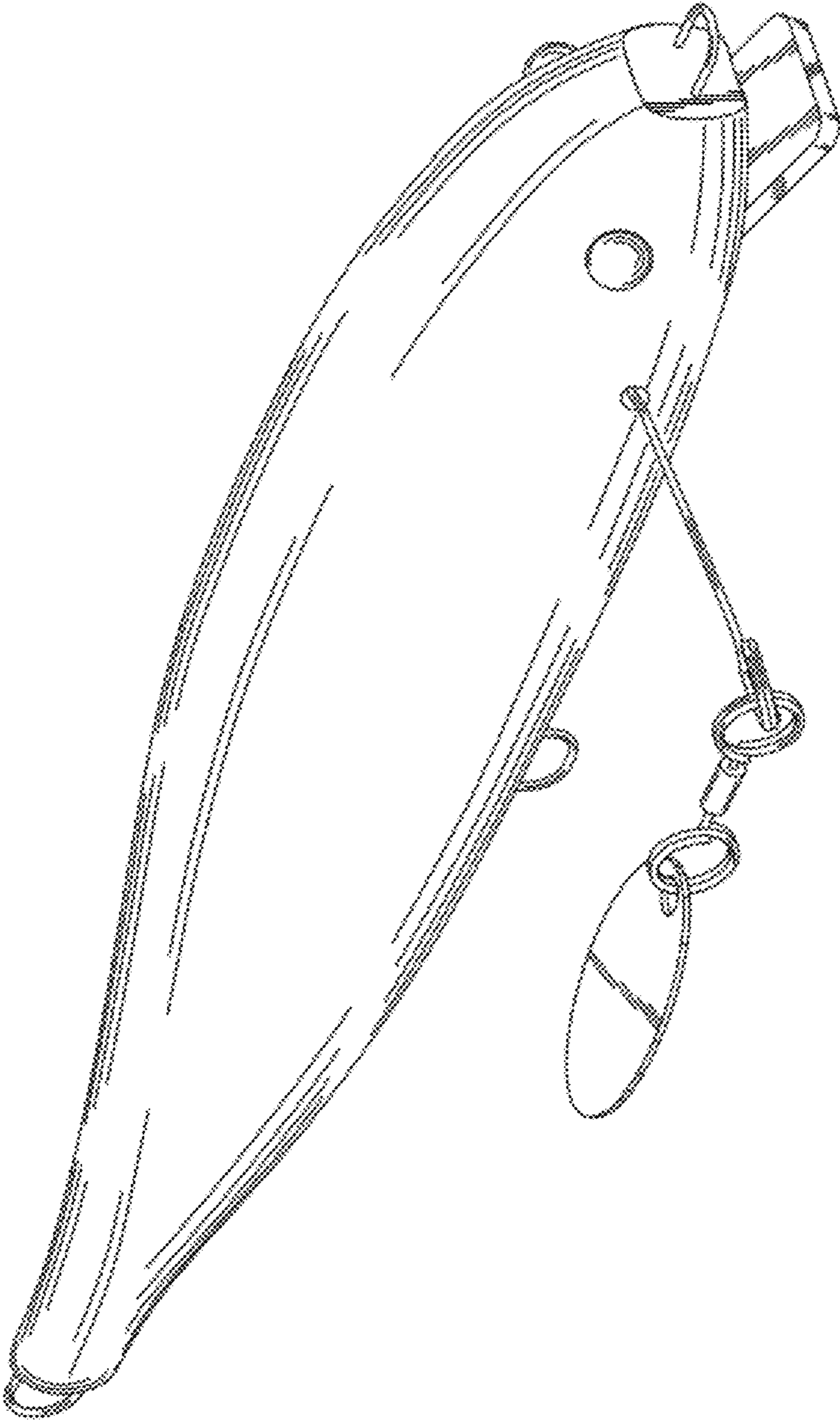


Fig. 1

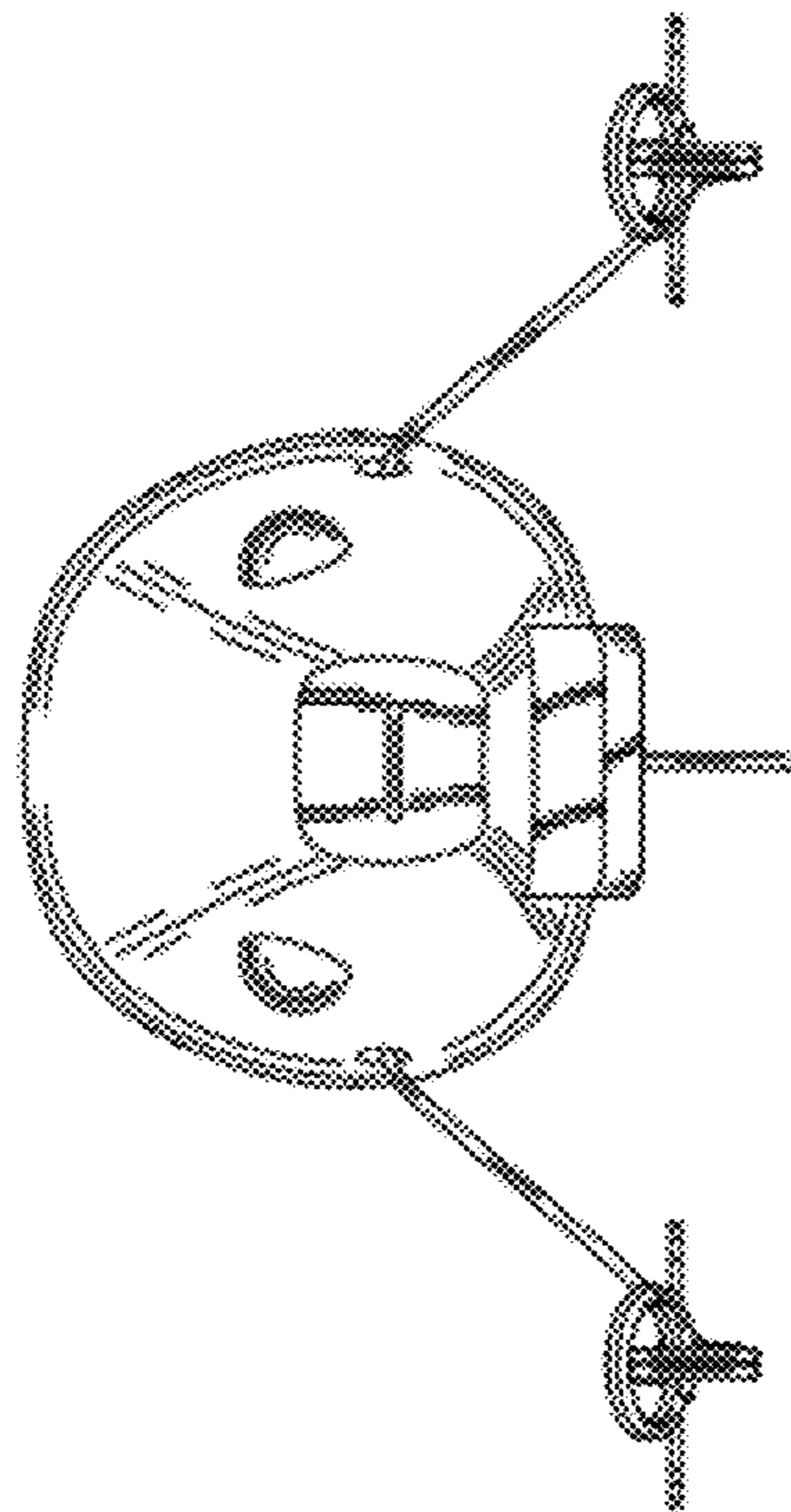


Fig. 2

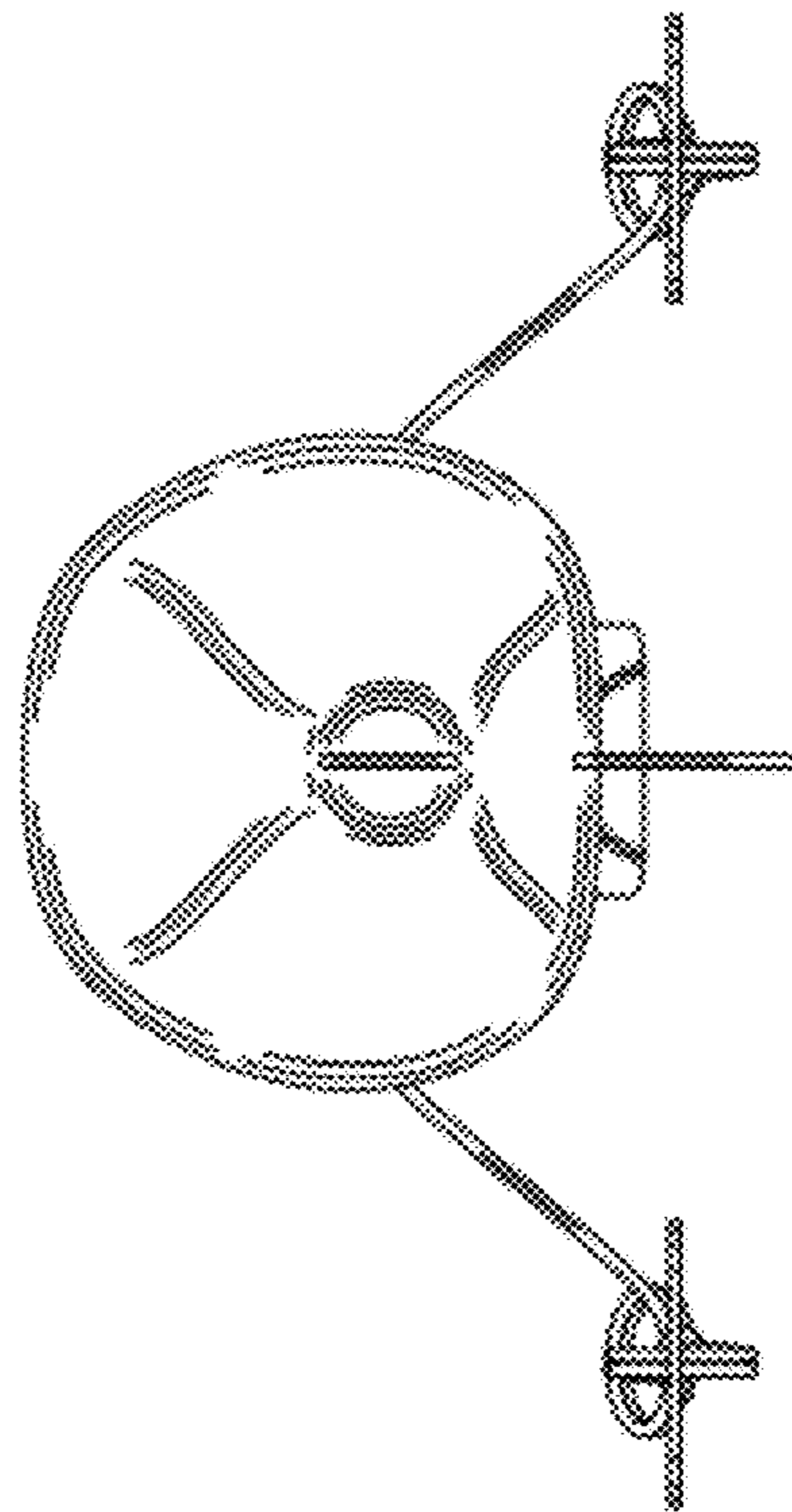


Fig. 3

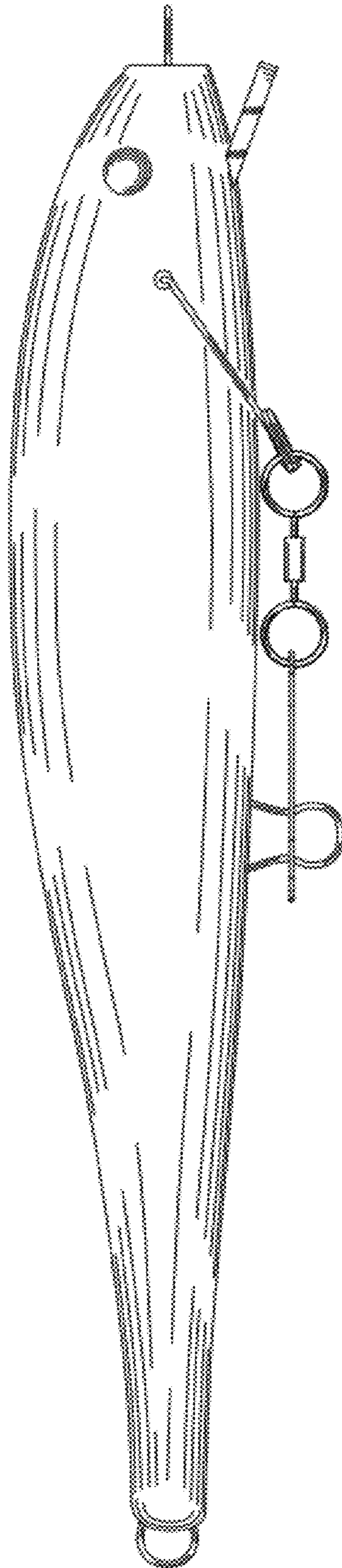


Fig. 4

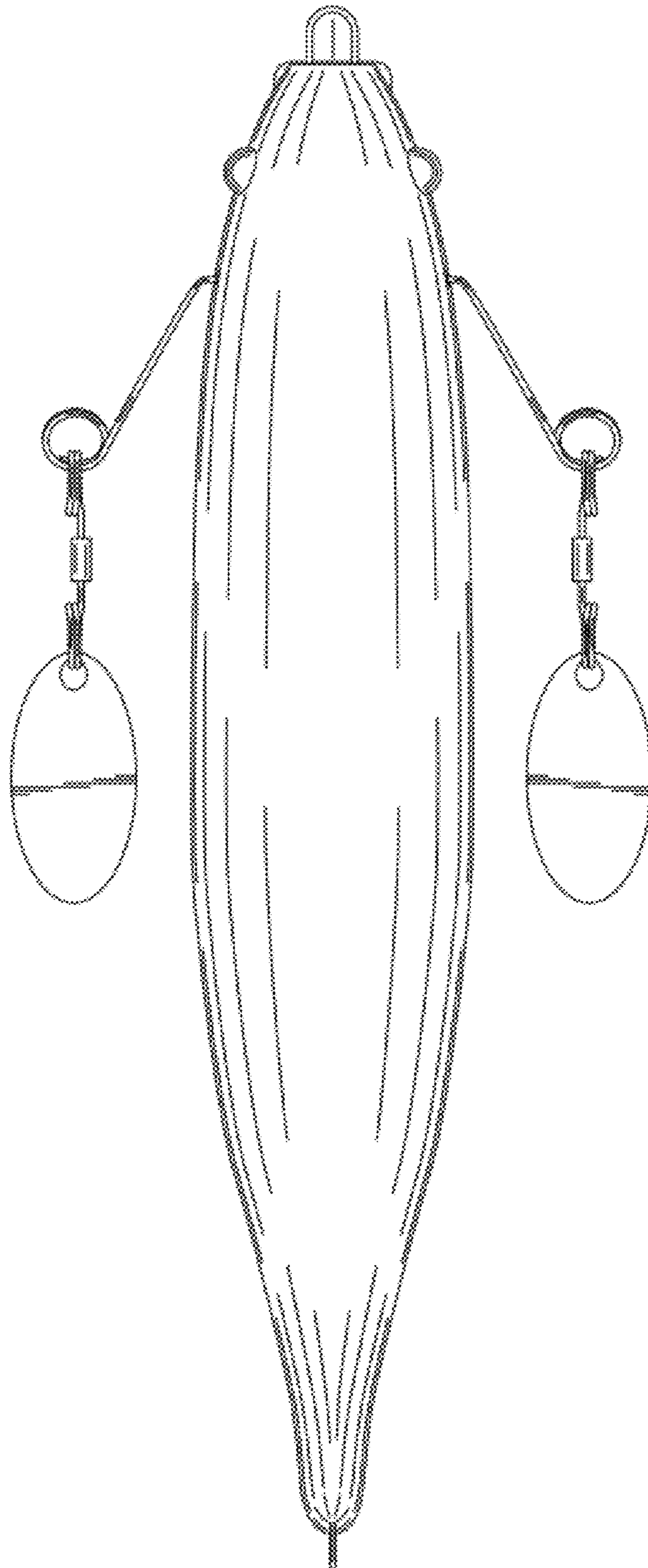


Fig. 5

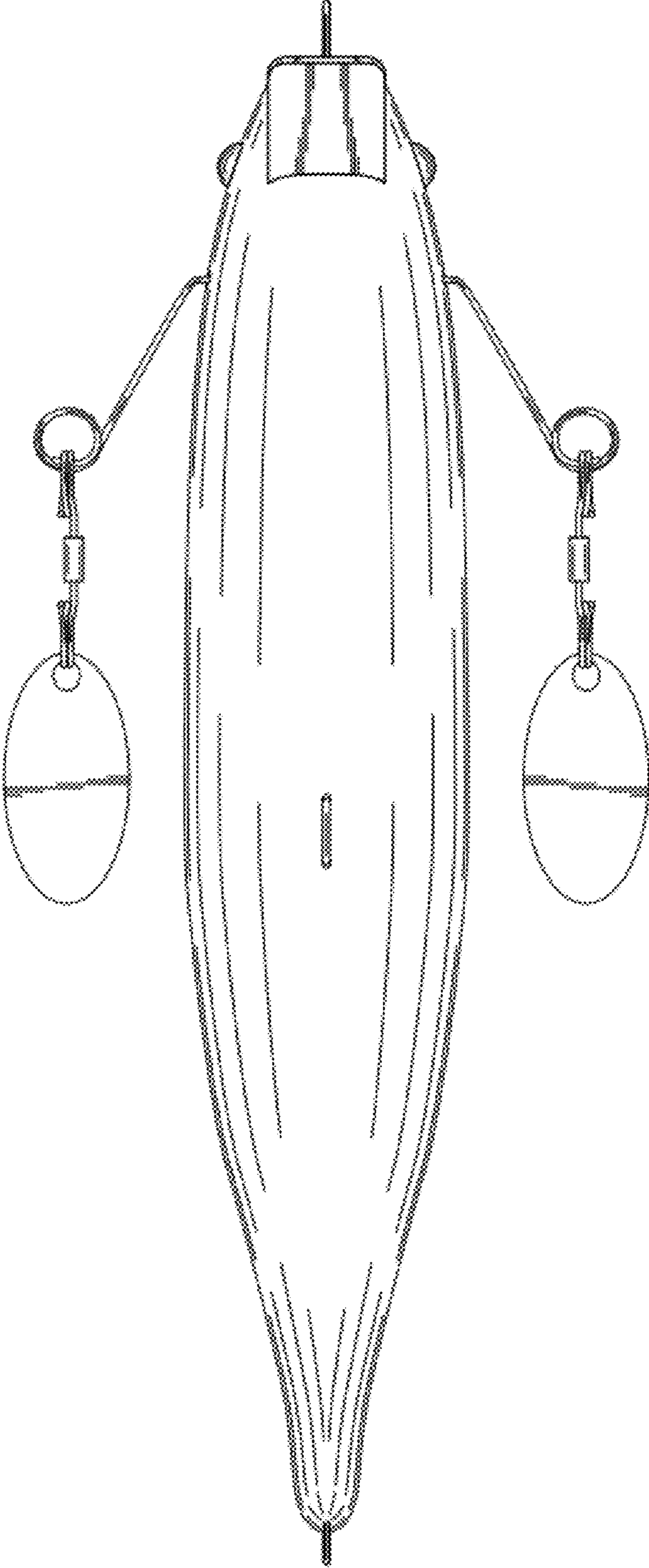


Fig. 6