



US00D668314S

(12) **United States Design Patent**
MacKay et al.

(10) **Patent No.:** **US D668,314 S**

(45) **Date of Patent:** **** Oct. 2, 2012**

(54) **BED BUG GUARD**

(75) Inventors: **Timothy MacKay**, Kitchener (CA);
Satnam Singh, Kitchener (CA)

(73) Assignee: **Maxtech Consumer Products Limited**,
Waterloo, Ontario (CA)

(**) Term: **14 Years**

(21) Appl. No.: **29/366,652**

(22) Filed: **Jul. 28, 2010**

(51) **LOC (9) Cl.** **22-06**

(52) **U.S. Cl.** **D22/122**

(58) **Field of Classification Search** D22/119–124;
43/107, 109, 112–113, 121–122, 124, 131,
43/132.1

See application file for complete search history.

(56) **References Cited**

U.S. PATENT DOCUMENTS

D335,940 S *	5/1993	McGrath et al.	D22/122
D456,481 S *	4/2002	Stevenson et al.	D22/122
D639,895 S *	6/2011	Schneidmiller et al.	D22/122
D648,819 S *	11/2011	Bronk	D22/122
2009/0282728 A1 *	11/2009	McKnight et al.	43/109

* cited by examiner

Primary Examiner — Catheri Oliver

(74) *Attorney, Agent, or Firm* — R. Craig Armstrong

(57) **CLAIM**

We claim the ornamental design for the bed bug guard, as shown and described.

DESCRIPTION

FIG. 1 is a perspective view of the first embodiment of the bed bug guard;

FIG. 2 is a front view of the first embodiment of the bed bug guard;

FIG. 3 is a top view of the first embodiment of the bed bug guard;

FIG. 4 is a side view of the first embodiment of the bed bug guard;

FIG. 5 is a perspective view of a partial cross section of the first embodiment of the bed bug guard;

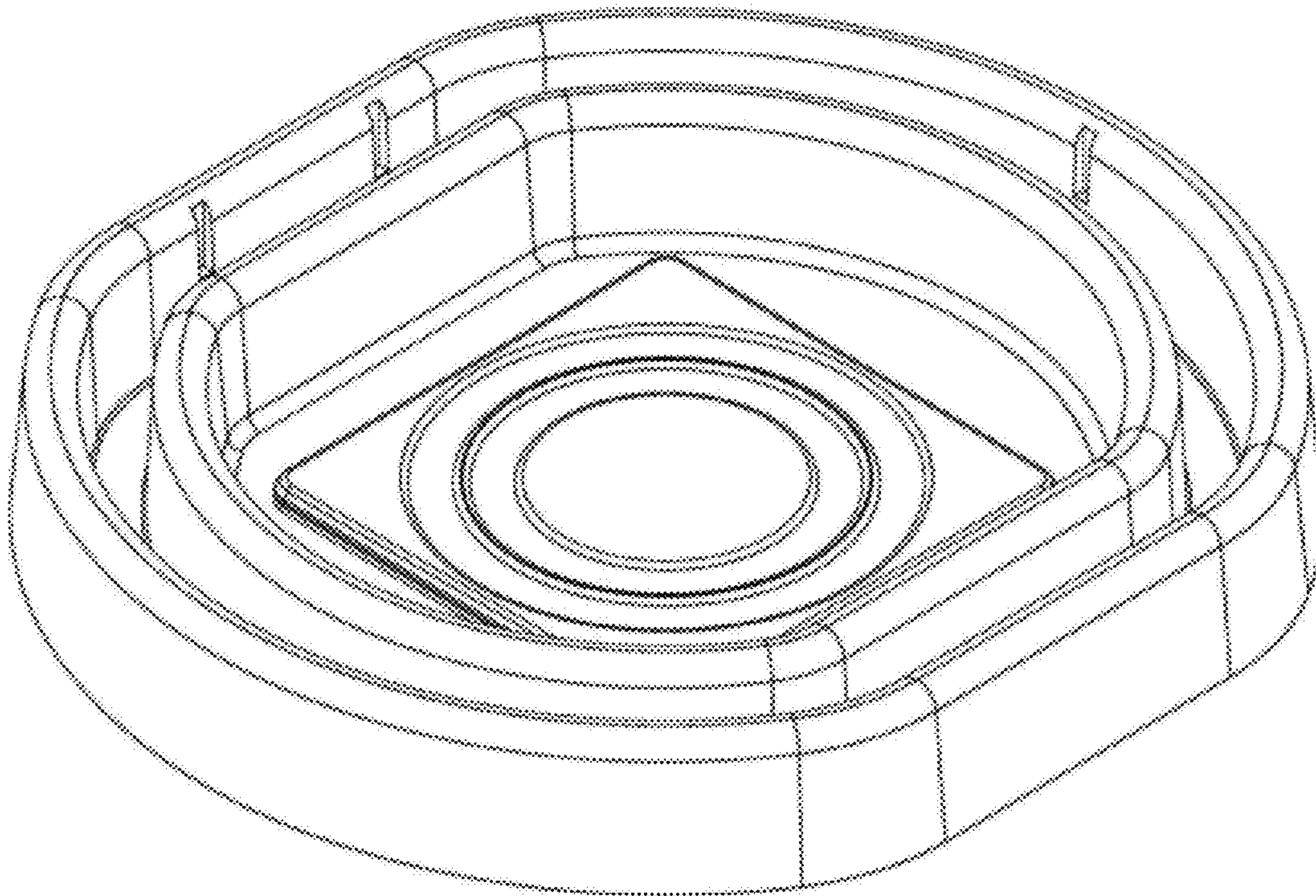
FIG. 6 is a front view of the partial cross section of the first embodiment of the bed bug guard;

FIG. 7 is a top view of the partial cross section of the first embodiment of the bed bug guard; and,

FIG. 8 is a side view of the partial cross section of the first embodiment of the bed bug guard.

The design is the shape and visual features of the bed bug guard.

1 Claim, 4 Drawing Sheets



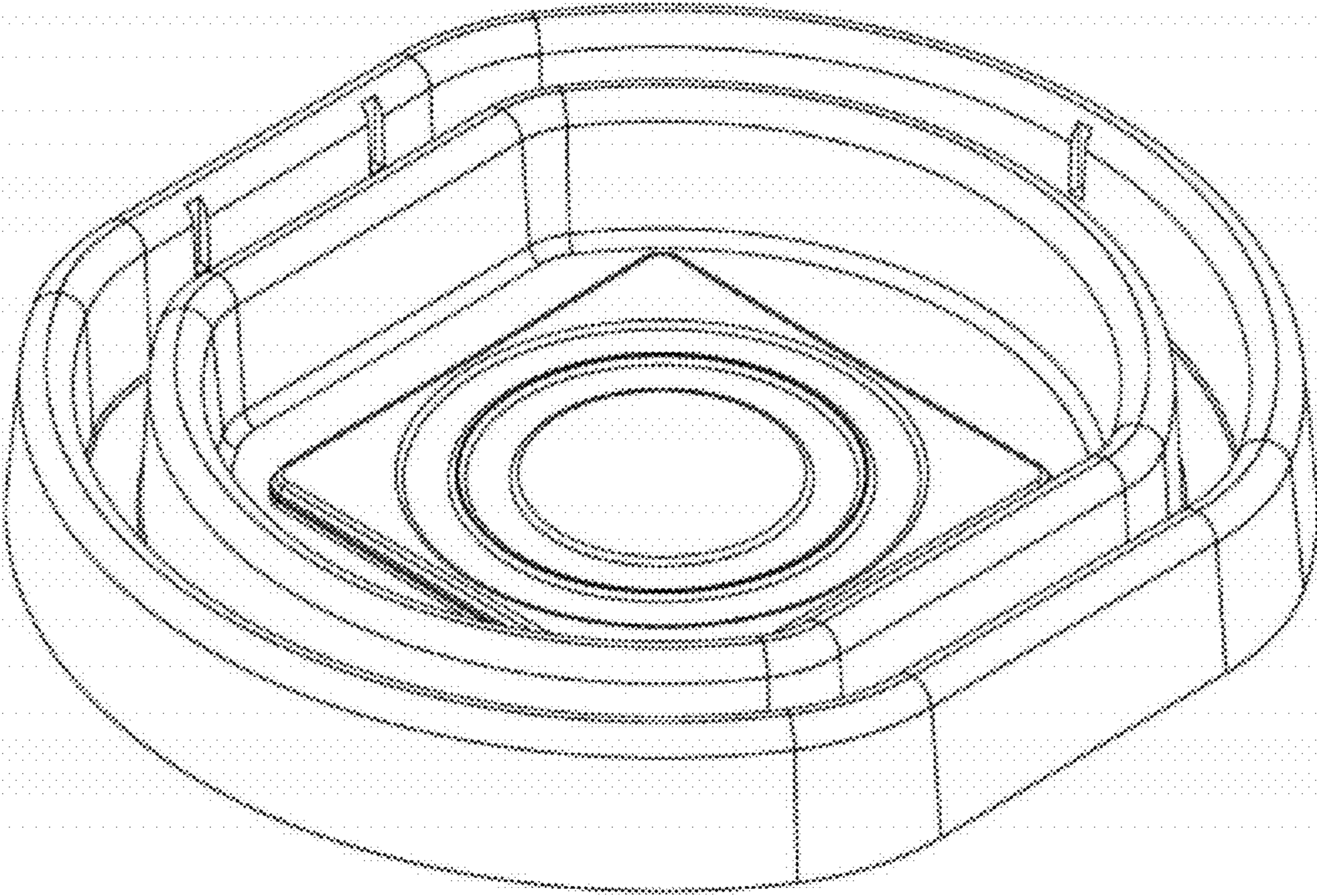


FIG 1

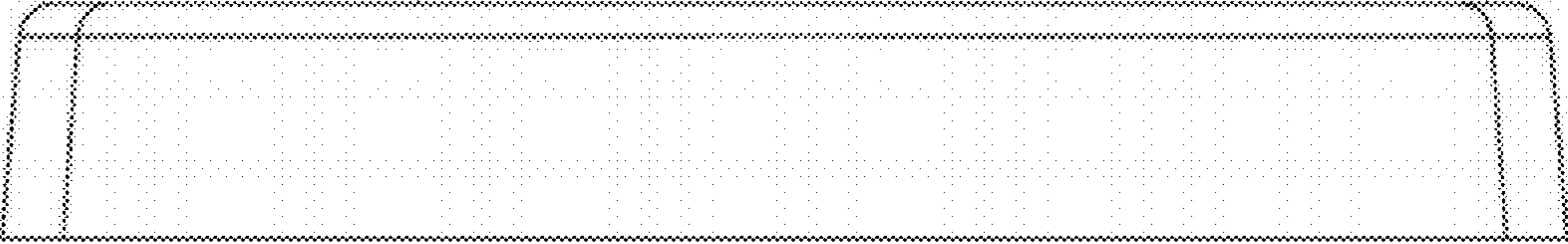


FIG 2

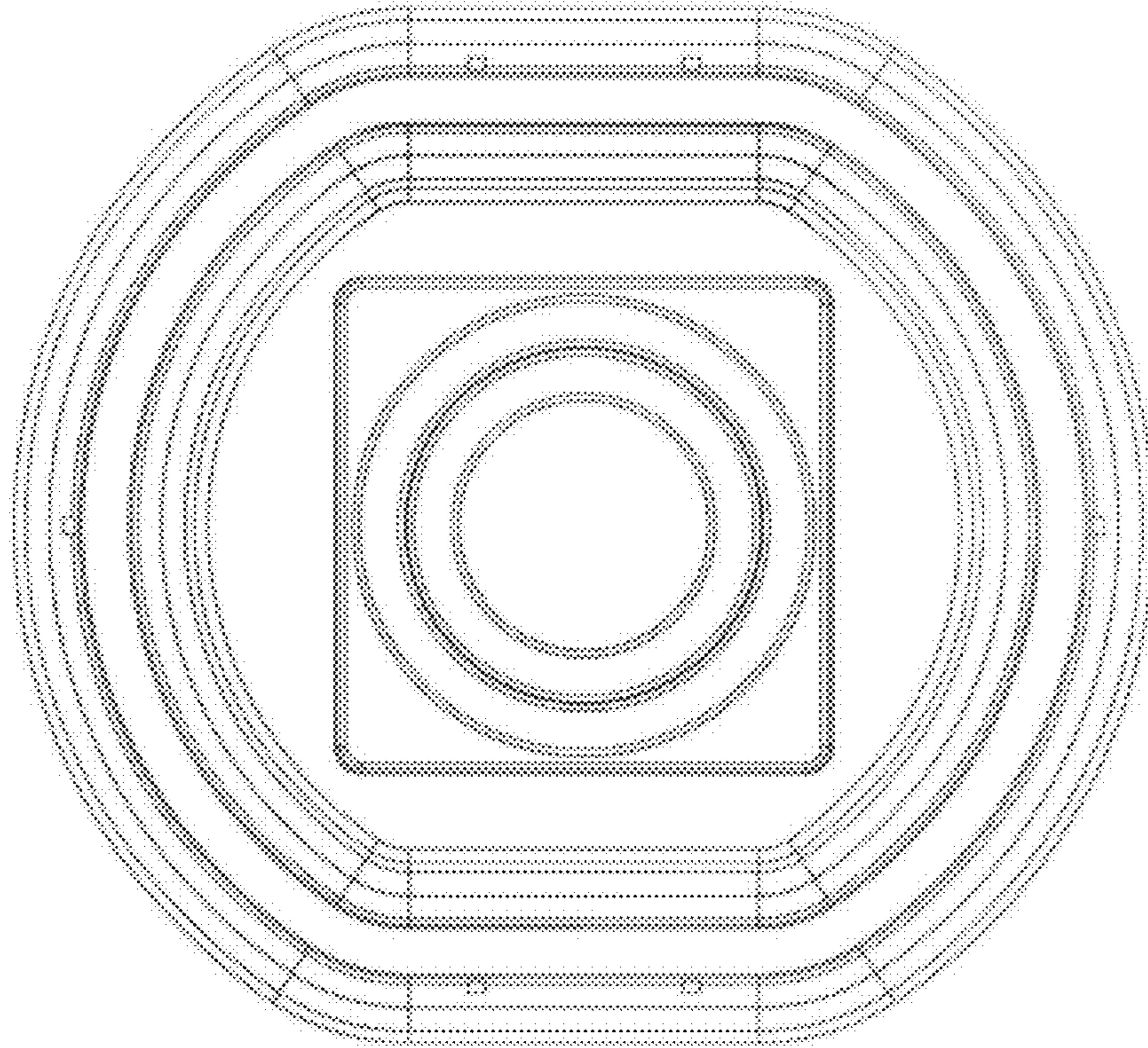


FIG 3

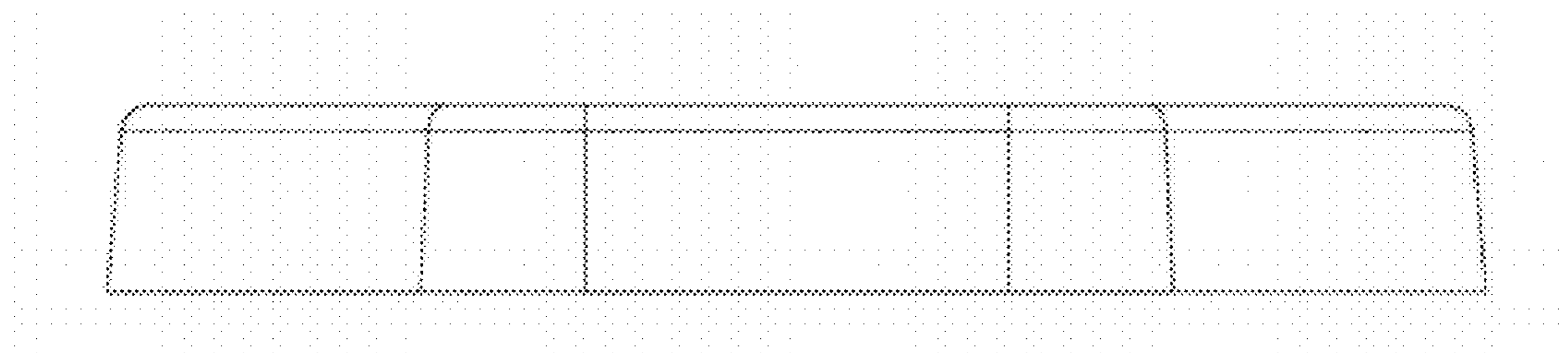


FIG 4

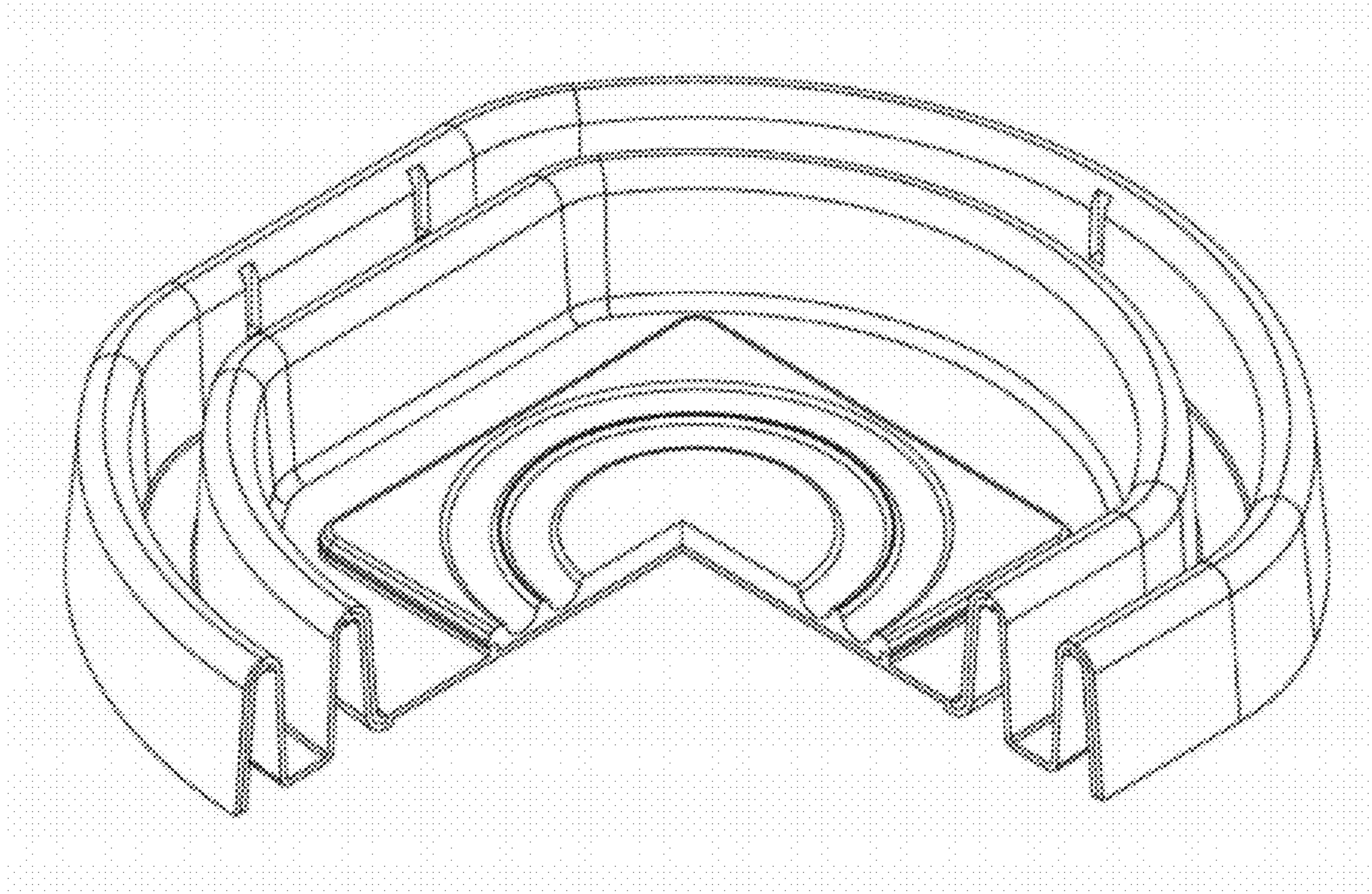


FIG 5

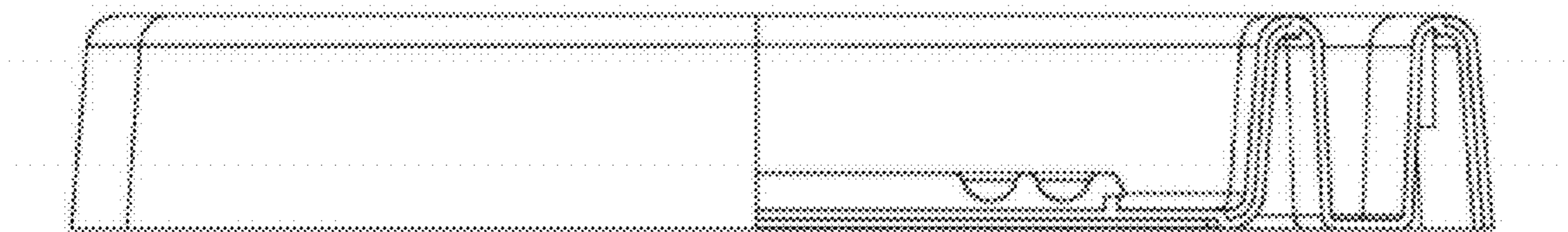


FIG 6

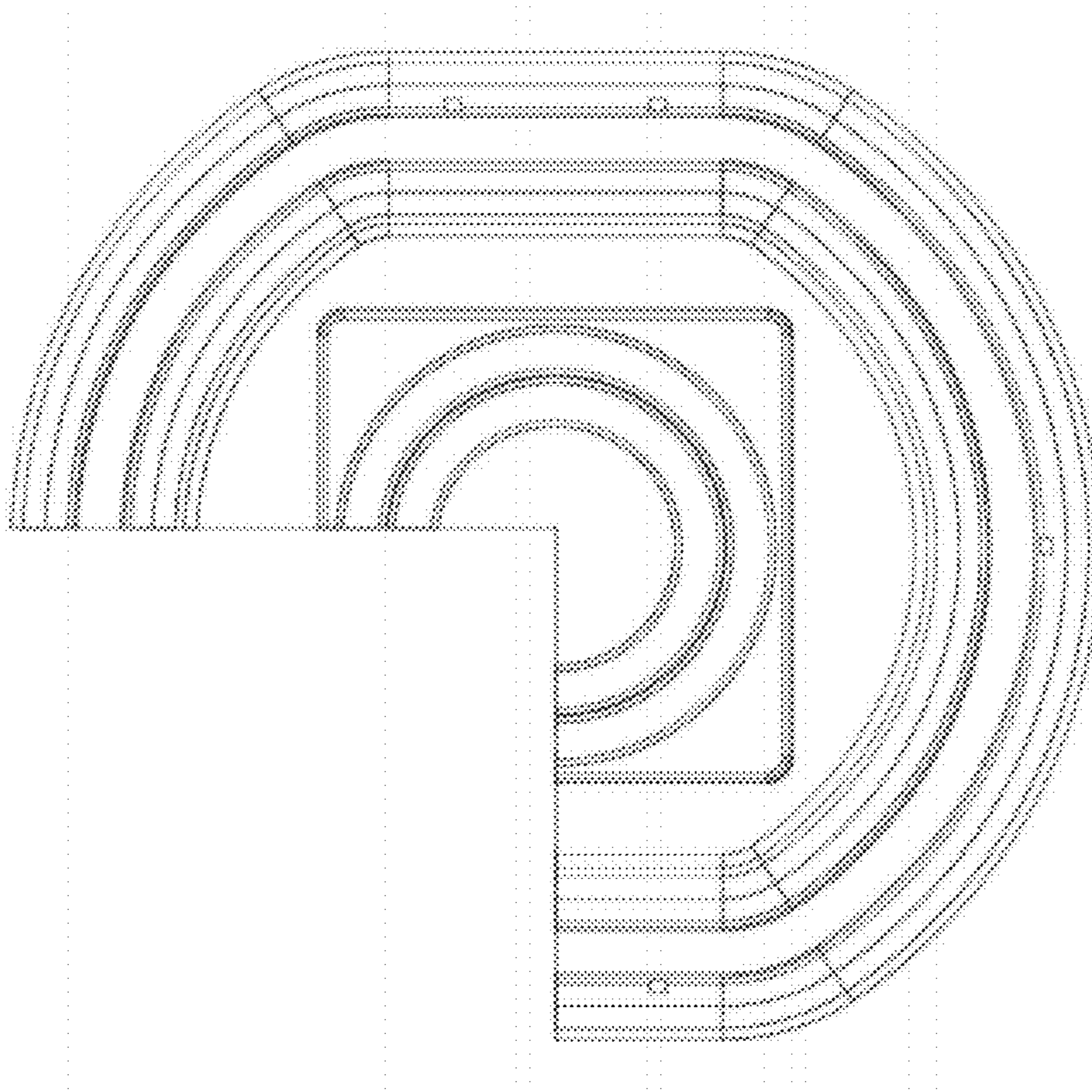


FIG 7

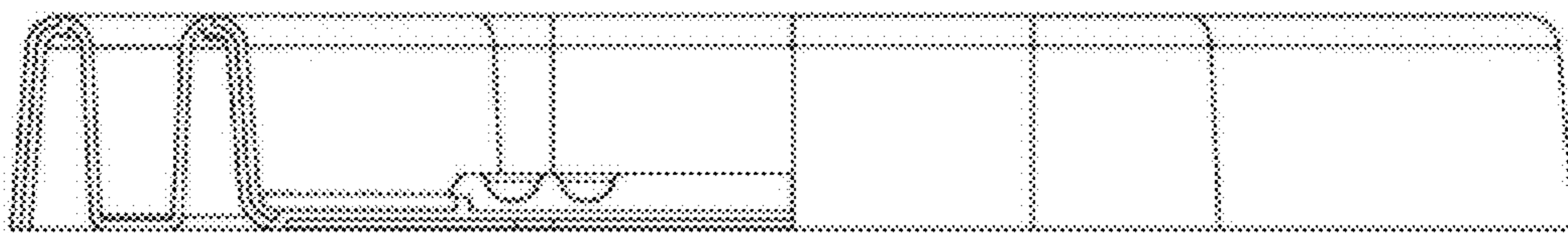


FIG 8