

US00D668311S

(12) **United States Design Patent**  
**Rogers et al.**

(10) **Patent No.:** **US D668,311 S**  
(45) **Date of Patent:** **\*\* Oct. 2, 2012**

(54) **RIFLE BUTTSTOCK**

*Primary Examiner* — Michael A Pratt

(76) Inventors: **William H. Rogers**, St. Augustine, FL (US); **Matthew E. McKendrick**, Jacksonville, FL (US)

(74) *Attorney, Agent, or Firm* — Arthur G. Yeager

(\*\*) Term: **14 Years**

(57) **CLAIM**  
The ornamental design for a rifle buttstock, as shown and described.

(21) Appl. No.: **29/375,873**

**DESCRIPTION**

(22) Filed: **Sep. 29, 2010**

(51) **LOC (9) Cl.** ..... **22-01**

FIG. 1 is a perspective view of the top, front and left side thereof;

(52) **U.S. Cl.** ..... **D22/108**

FIG. 2 is a perspective view of the bottom, front and right side hereof;

(58) **Field of Classification Search** ..... D22/100, D22/101, 103, 104, 108, 199; D21/572, D21/573; 42/51, 90, 71.01, 71.02, 73, 75.01, 42/75.02; 362/160; 33/241; 313/105 R; 29/40.06, 37.04, 33.04

FIG. 3 is a left side view thereof;  
FIG. 4 is a right side view thereof;  
FIG. 5 is a front end view thereof;  
FIG. 6 is a rear end view thereof;  
FIG. 7 is a top plan view thereof;  
FIG. 8 is a bottom plan view thereof; and,  
FIG. 9 is a left side view thereof, shown in an environment of use.

See application file for complete search history.

The broken lines in FIGS. 5, 6 and 9 illustrate environment, which forms no part of the claimed invention.

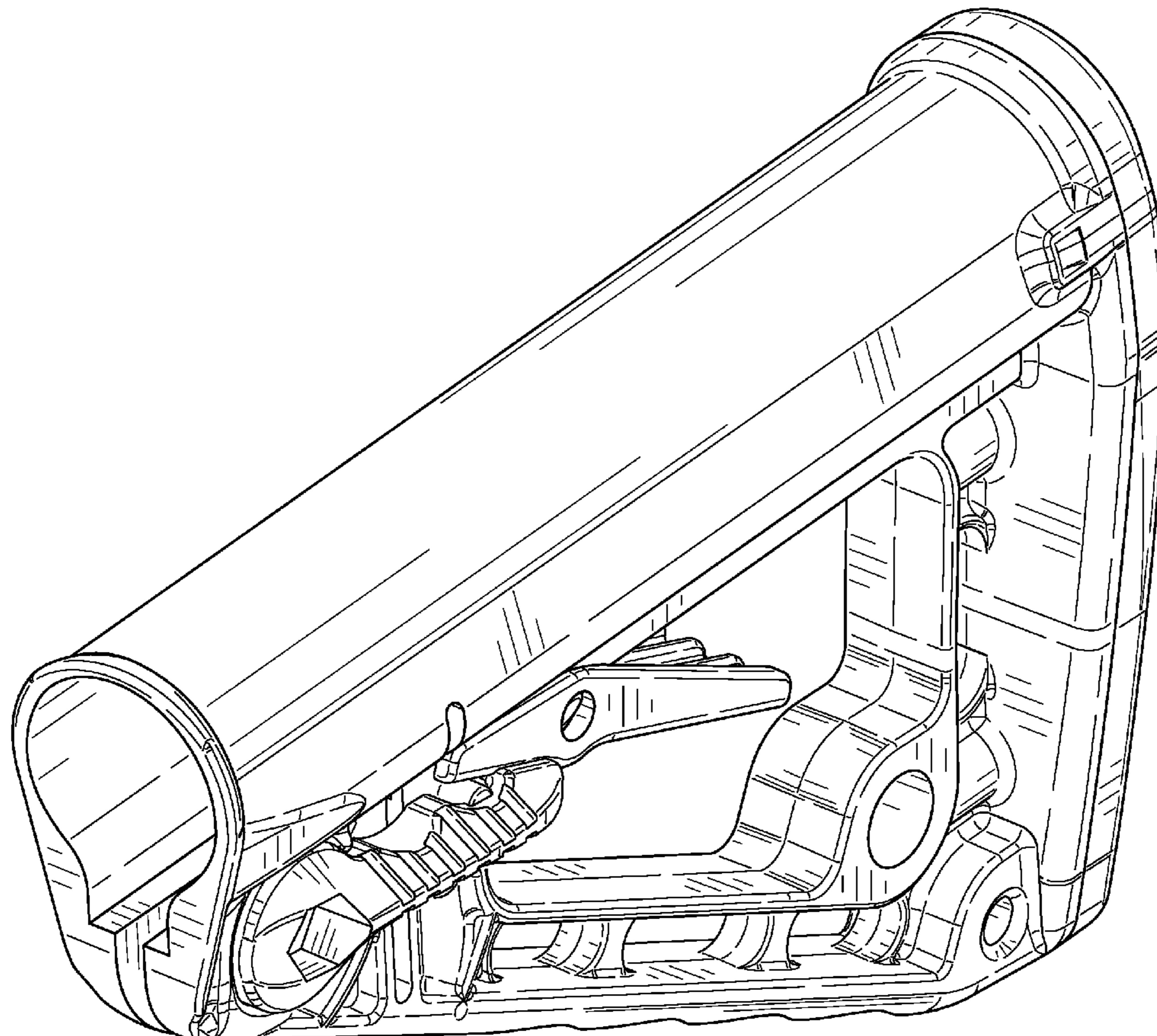
(56) **References Cited**

**U.S. PATENT DOCUMENTS**

D600,308 S \* 9/2009 Fitzpatrick et al. .... D22/109  
2010/0205846 A1 \* 8/2010 Fitzpatrick et al. .... 42/73

\* cited by examiner

**1 Claim, 7 Drawing Sheets**



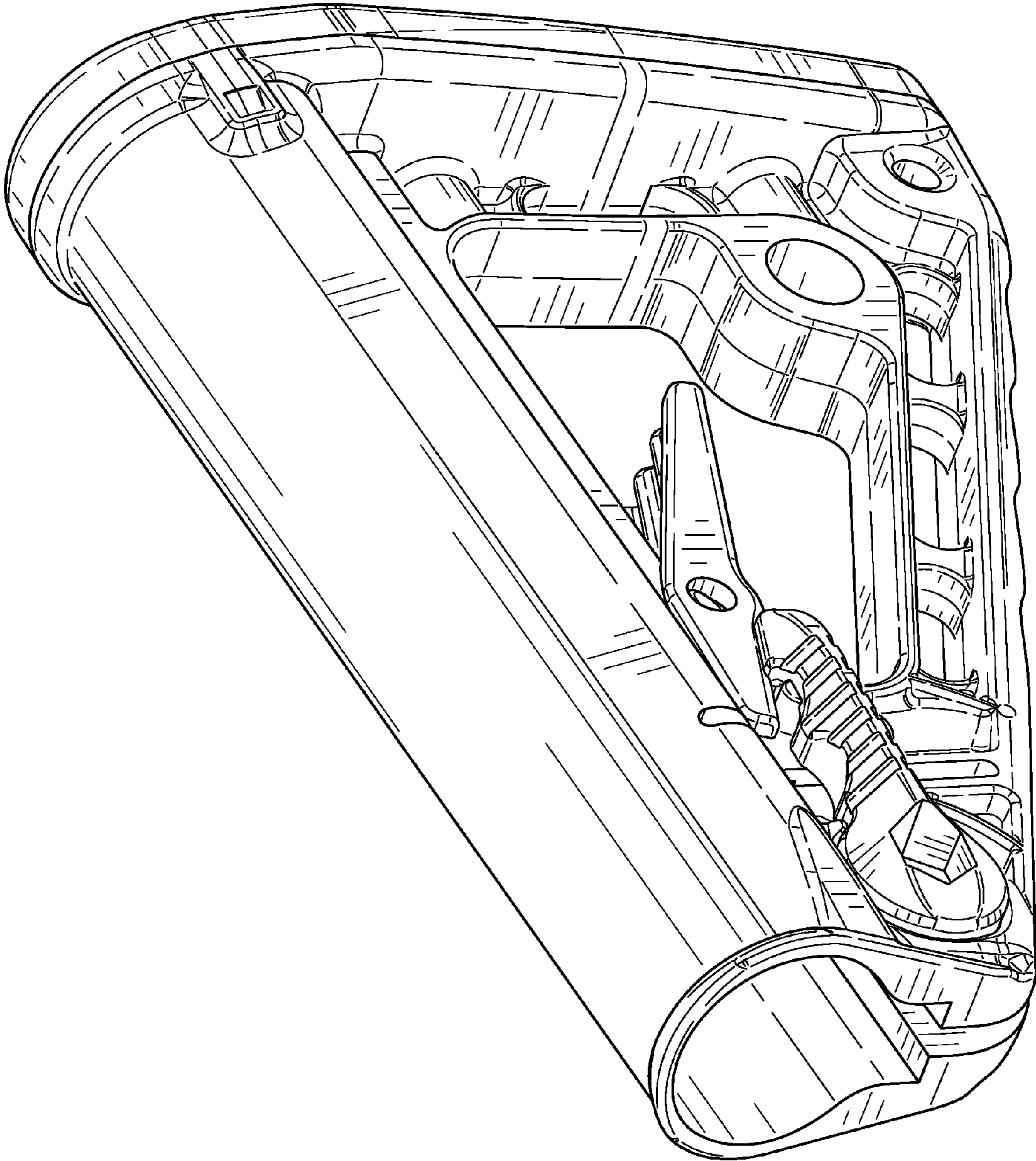


FIG. 1

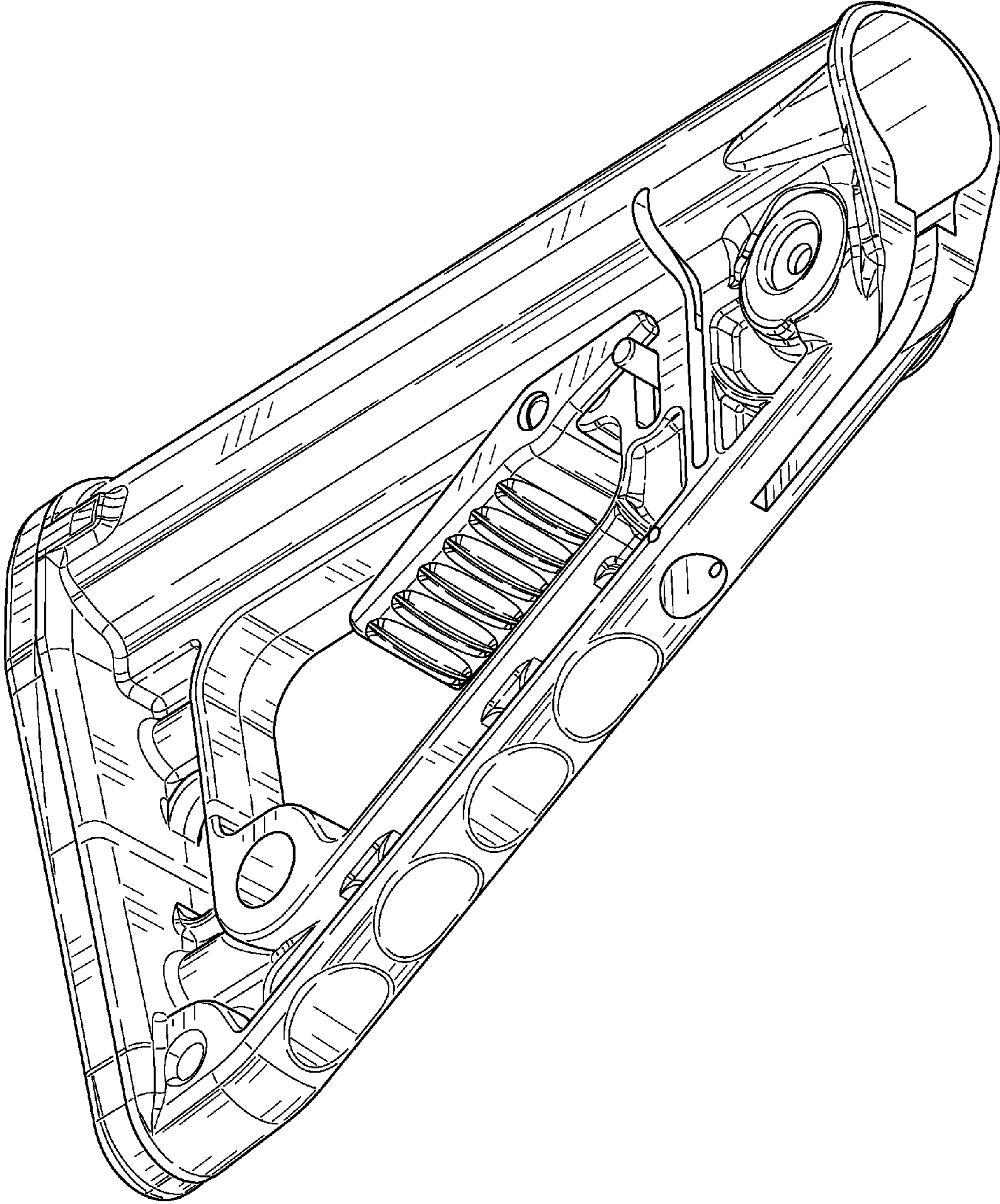


FIG. 2

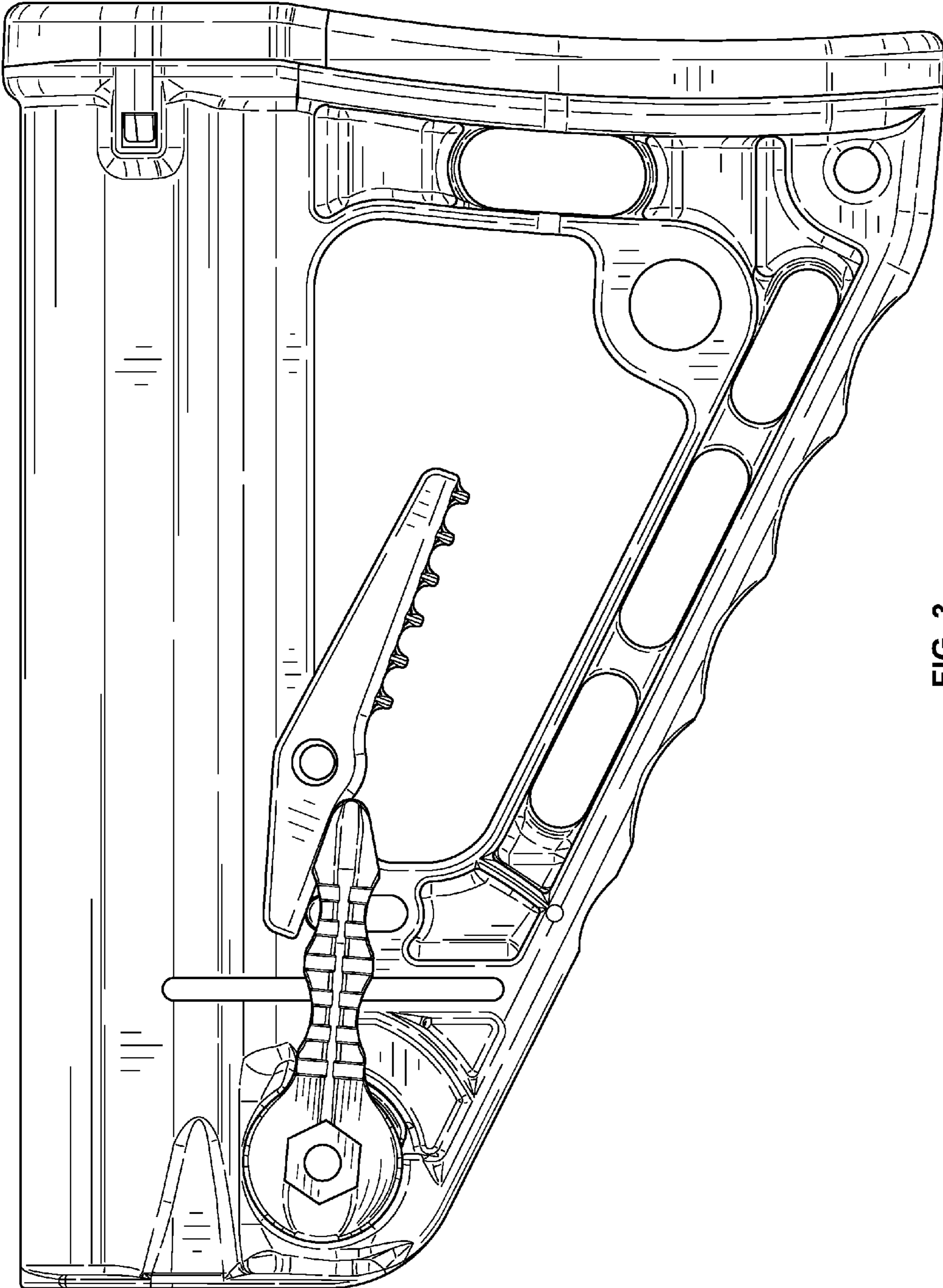


FIG. 3

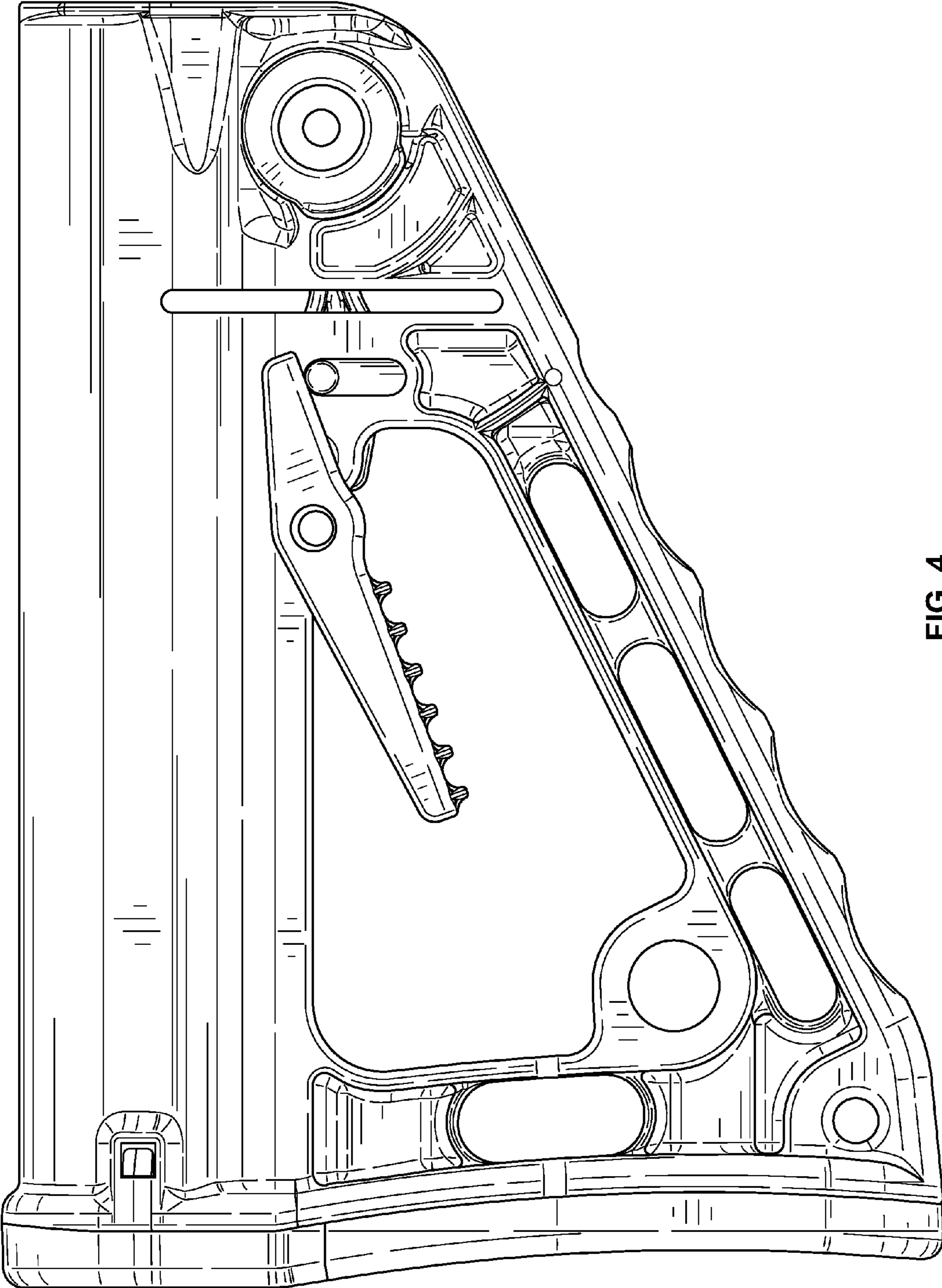


FIG. 4

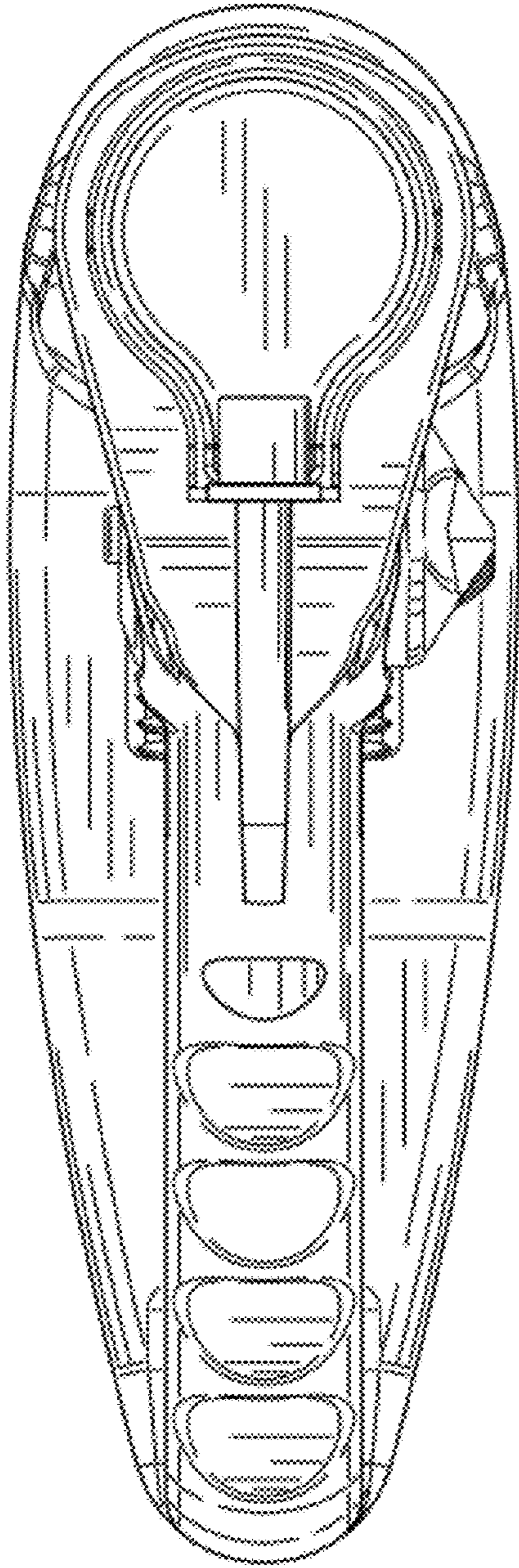


FIG. 5

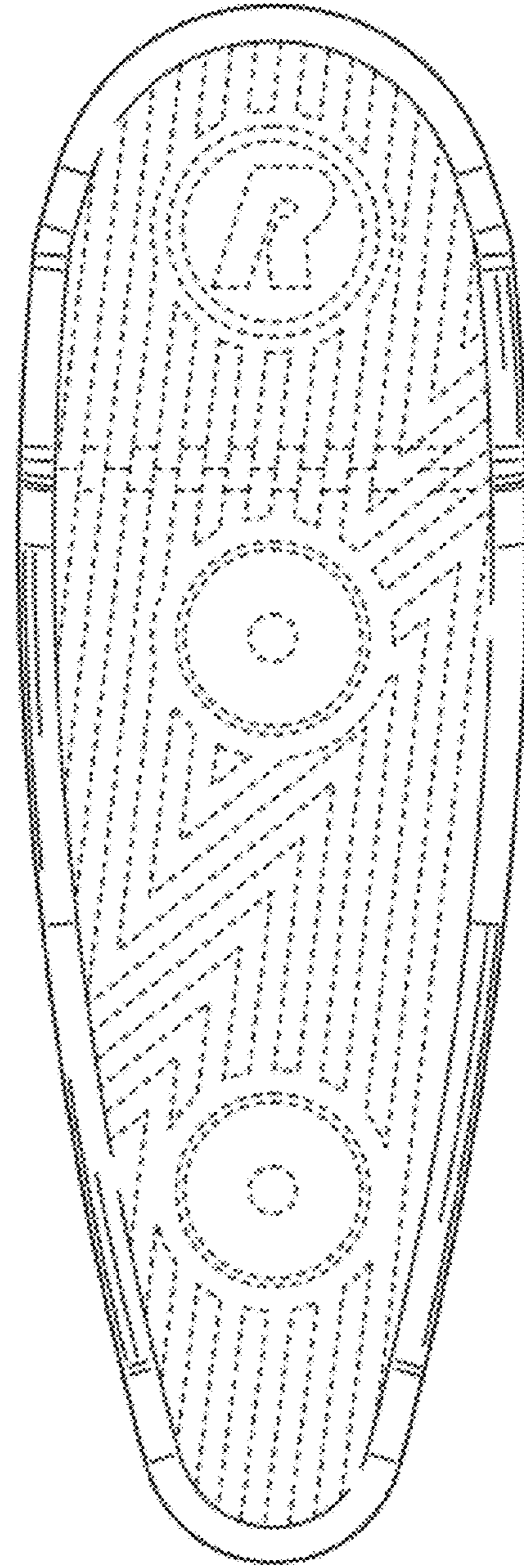


FIG. 6

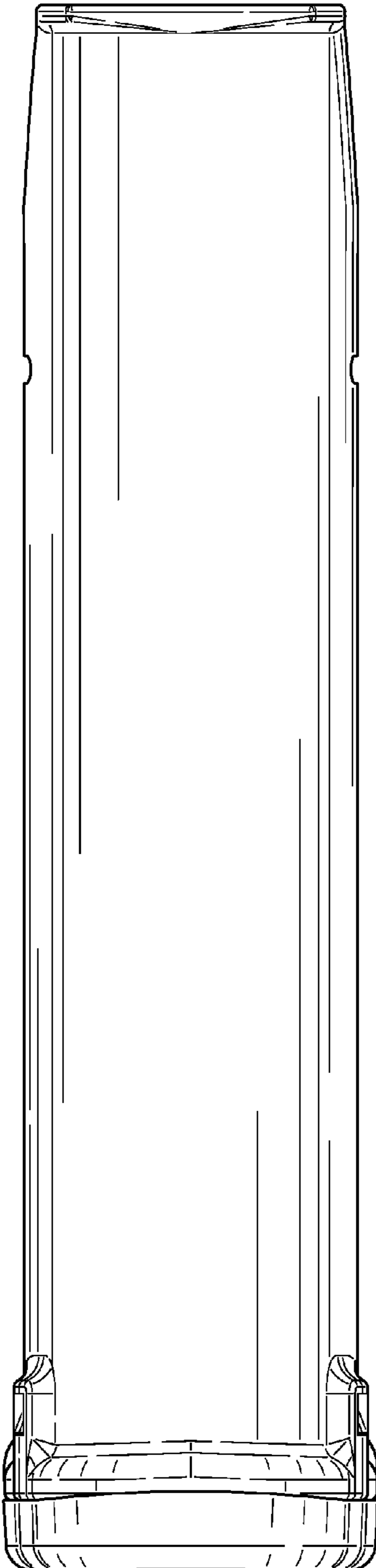


FIG. 7

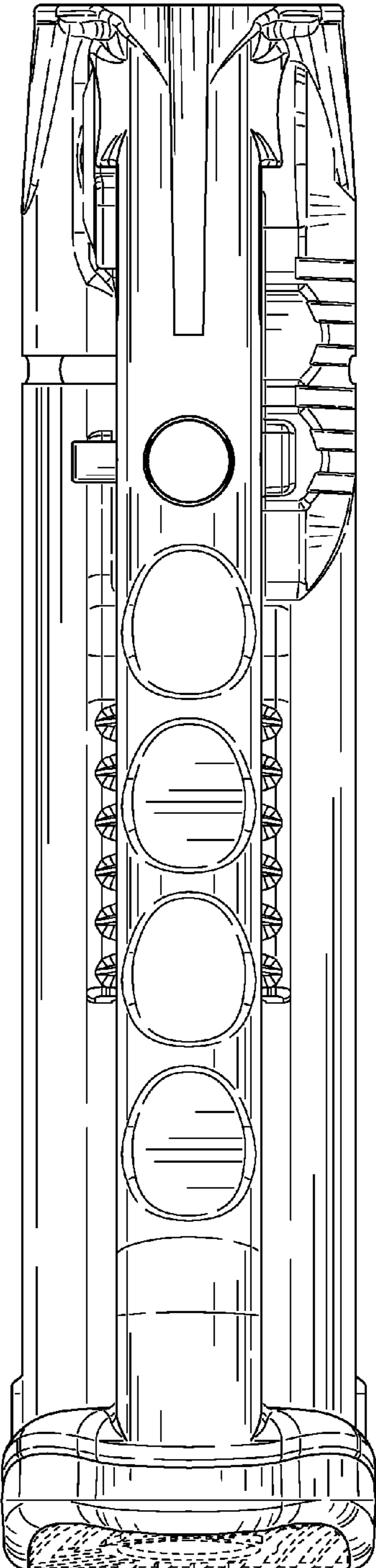


FIG. 8

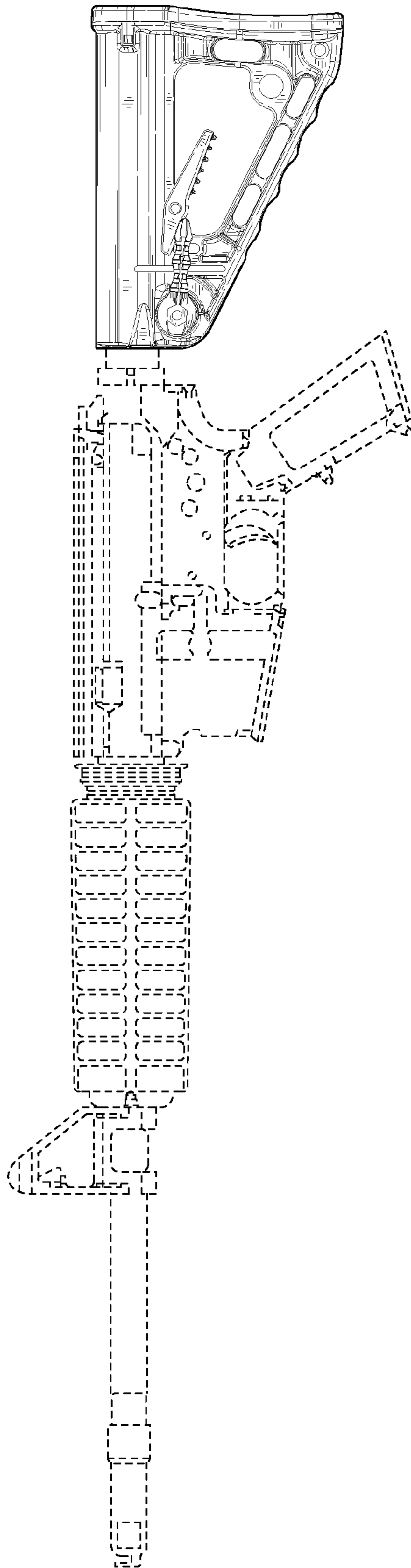


FIG. 9