

US00D668309S

(12) **United States Design Patent**  
**McLaren**

(10) **Patent No.:** **US D668,309 S**

(45) **Date of Patent:** **\*\* Oct. 2, 2012**

(54) **AMUSEMENT RIDE**

(76) Inventor: **Malcolm G. McLaren**, West Nyack, NY  
(US)

(\*\*) Term: **14 Years**

(21) Appl. No.: **29/371,879**

(22) Filed: **Dec. 12, 2011**

(51) **LOC (9) Cl.** ..... **21-02**

(52) **U.S. Cl.** ..... **D21/814**

(58) **Field of Classification Search** ..... D21/811,  
D21/814, 828-833; 472/30, 27, 131, 43-45;  
104/173.1, 127

See application file for complete search history.

(56) **References Cited**

**U.S. PATENT DOCUMENTS**

3,610,614 A \* 10/1971 Nishizawa ..... 472/35  
D400,616 S \* 11/1998 Gnezdilov ..... D21/829  
6,994,629 B2 \* 2/2006 Bussink ..... 472/44

7,686,697 B2 \* 3/2010 Bussink ..... 472/131  
D656,213 S \* 3/2012 Kitchen ..... D21/814  
2007/0113753 A1 \* 5/2007 Meindl et al. .... 104/173.1

\* cited by examiner

*Primary Examiner* — Mitchell Siegel

(74) *Attorney, Agent, or Firm* — H. Jay Spiegel

(57) **CLAIM**

The ornamental design for an amusement ride, as shown and described.

**DESCRIPTION**

FIG. 1 shows a perspective view of my claimed design.

FIG. 2 shows a front view thereof.

FIG. 3 shows a side view thereof.

FIG. 4 shows a top view thereof.

FIG. 5 shows a perspective view thereof. The gondolas are removed from clarity of illustration.

FIG. 6 shows a front view of FIG. 5.

FIG. 7 shows a side view of FIG. 5; and,

FIG. 8 shows a top view of FIG. 5.

The broken line showing is included for the purpose of illustrating and forms no part of the claimed design.

**1 Claim, 8 Drawing Sheets**

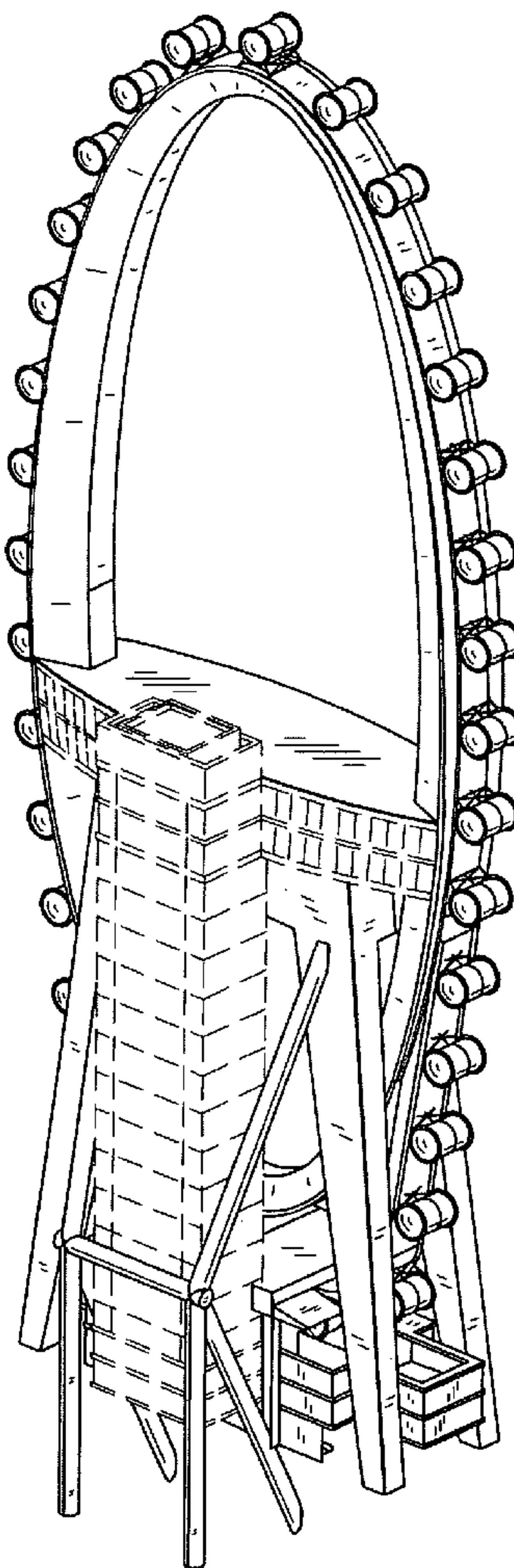


FIG. 1

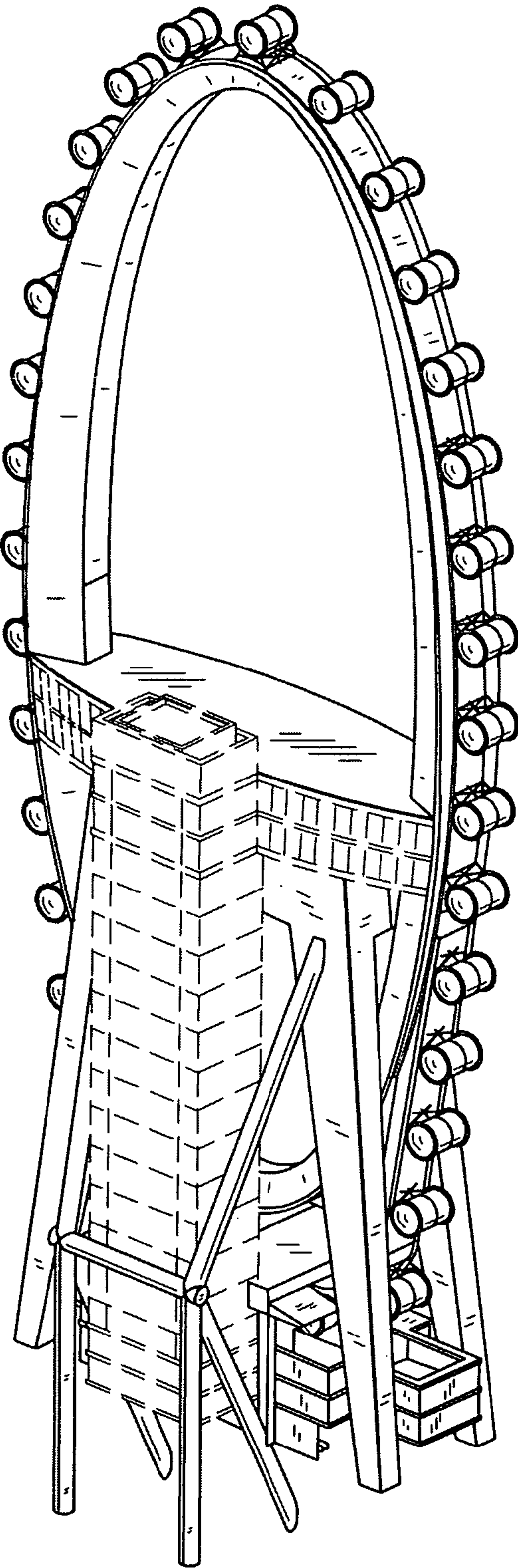


FIG. 2

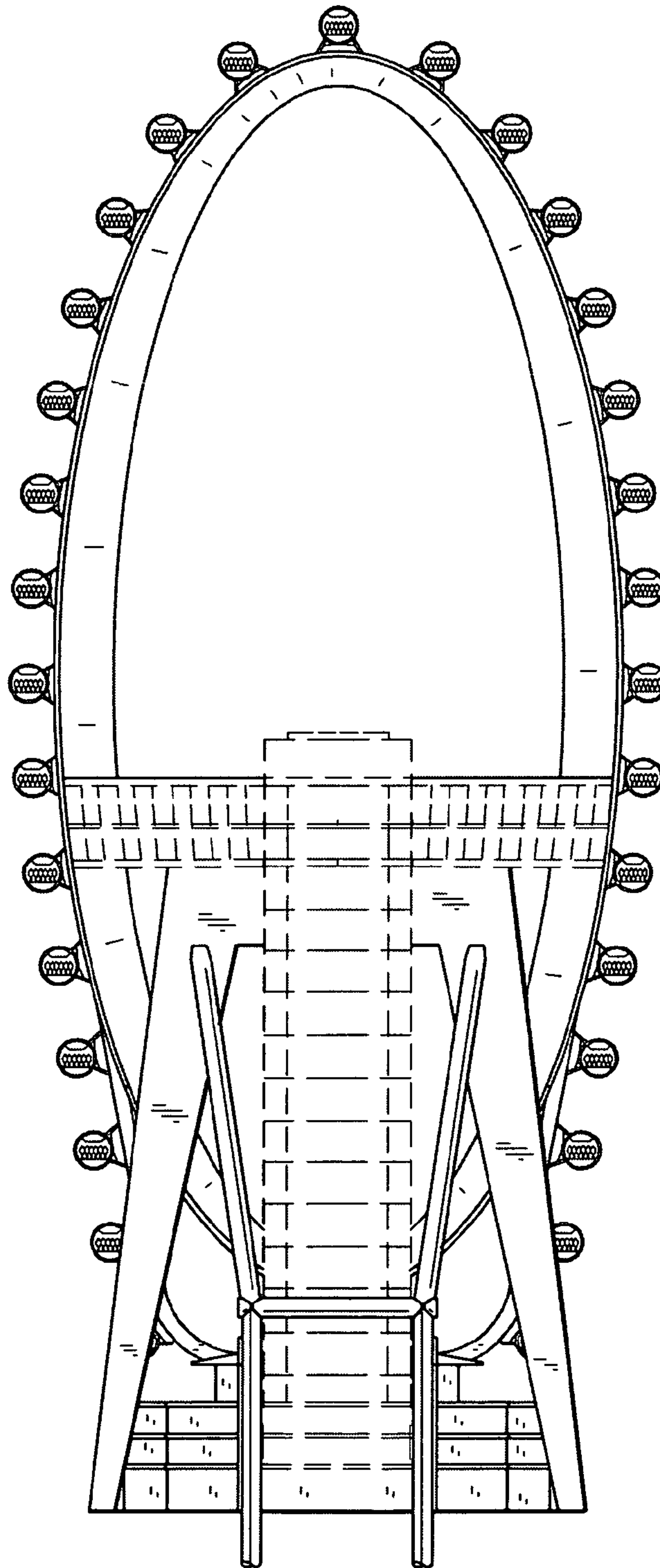


FIG. 3

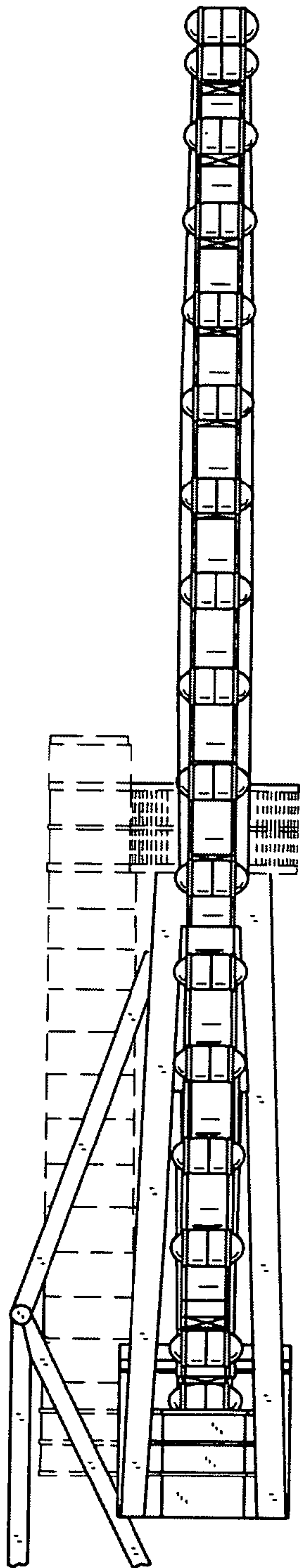


FIG. 4

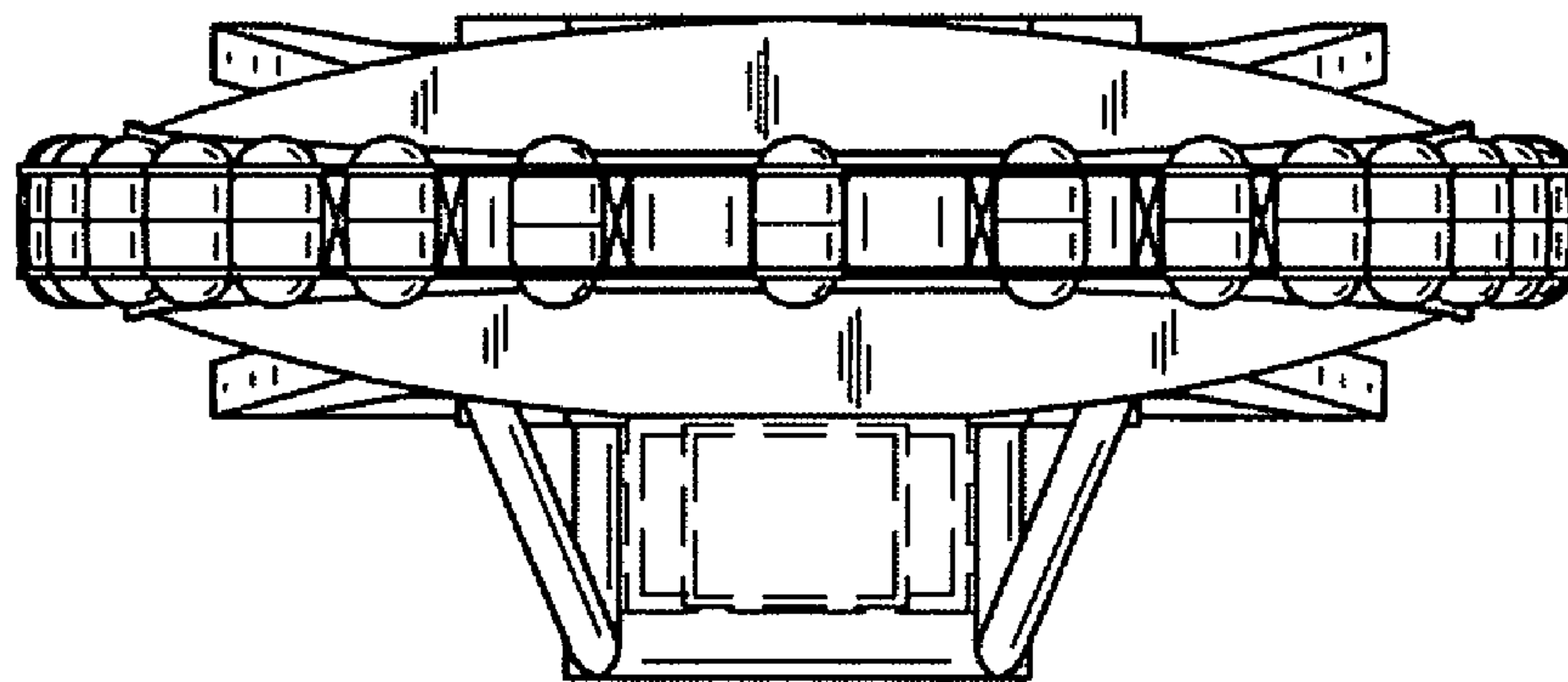




FIG. 5

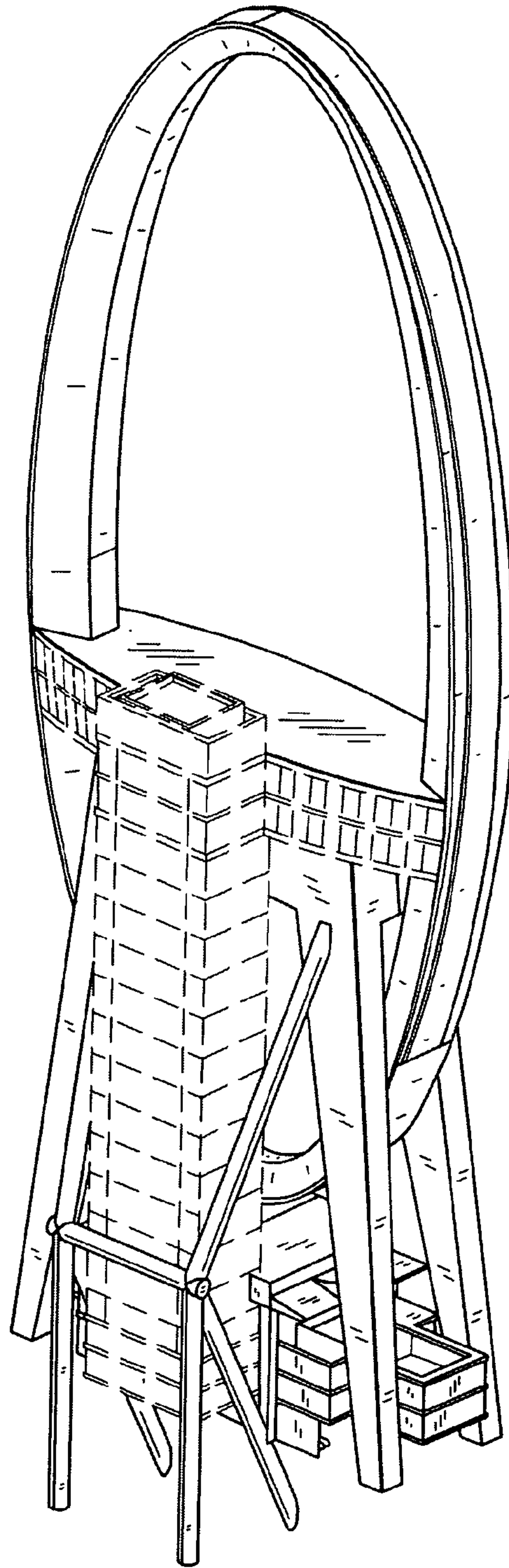


FIG. 6

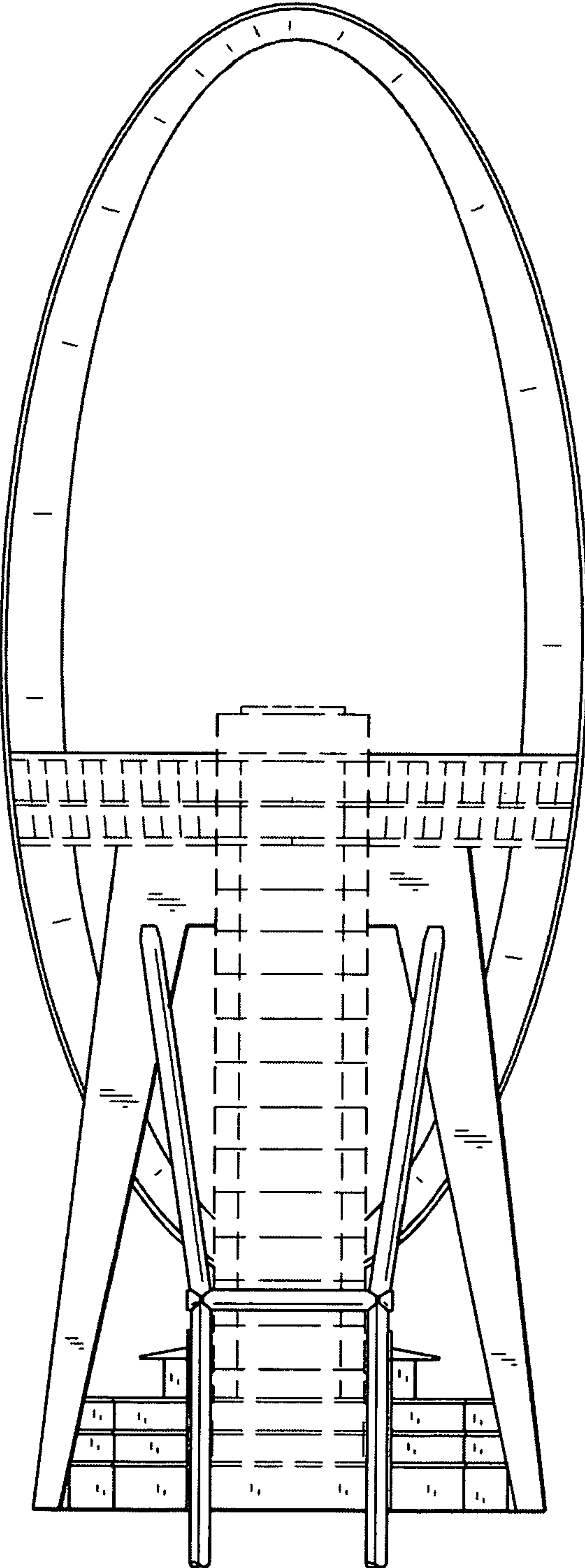


FIG. 7

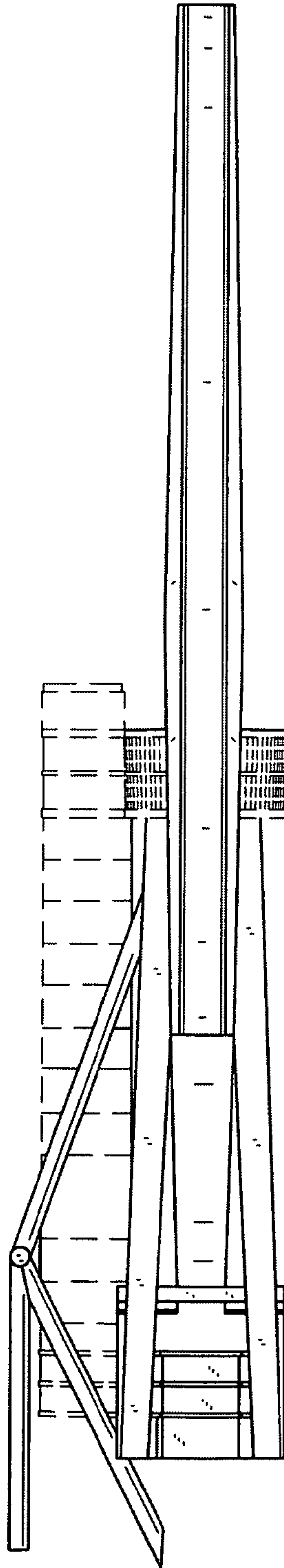




FIG. 8

