



US00D668308S

(12) **United States Design Patent**
Gilmore et al.

(10) **Patent No.:** **US D668,308 S**
(45) **Date of Patent:** **** Oct. 2, 2012**

(54) **FLOAT FOR SUPPORTING A BEVERAGE CONTAINER HOLDER**

(75) Inventors: **Michael L. Gilmore**, Highland, KS (US); **Mark D. Gilmore**, Olathe, KS (US); **Andrew J. Gilmore**, Severance, KS (US); **James B. Gilmore**, Severance, KS (US)

(73) Assignee: **The G Bros., LLC**, Highland, KS (US)

(**) Term: **14 Years**

(21) Appl. No.: **29/409,998**

(22) Filed: **Jan. 2, 2012**

(51) **LOC (9) Cl.** **21-06**

(52) **U.S. Cl.** **D21/803**

(58) **Field of Classification Search** D21/769-770, D21/801, 803, 809; 114/253, 345-346; 441/35, 441/66, 40-42, 129-132; 472/128-129; D12/5, 6, 316

See application file for complete search history.

(56) **References Cited**

U.S. PATENT DOCUMENTS

D272,506	S	2/1984	Steiner	
D276,218	S *	11/1984	Baldwin et al.	D9/499
4,721,216	A	1/1988	Kinder	
5,447,764	A	9/1995	Langford	
D365,024	S *	12/1995	DuBow	D9/434
5,727,709	A	3/1998	Nobile	
D412,938	S *	8/1999	Kesselring et al.	D20/28
6,607,090	B1	8/2003	Doerr	

6,616,493	B2	9/2003	Powell et al.	
D504,045	S *	4/2005	Rediske	D6/601
D592,268	S *	5/2009	Montagnino	D21/803
D610,202	S *	2/2010	Katz	D20/22
D624,055	S *	9/2010	Lazzeroni et al.	D14/221
D639,117	S	6/2011	Jonsson	
D653,107	S *	1/2012	Margan	D9/434
2004/0040968	A1	3/2004	Visser	
2005/0133510	A1	6/2005	Lake	
2005/0211714	A1	9/2005	Kazyaka	
2006/0091141	A1	5/2006	Scott	
2008/0078788	A1	4/2008	Degges et al.	
2011/0114656	A1	5/2011	Tupy et al.	

* cited by examiner

Primary Examiner — Zenia Bennett

(74) *Attorney, Agent, or Firm* — Erickson, Kernell, Derusseau & Kleypas, LLC

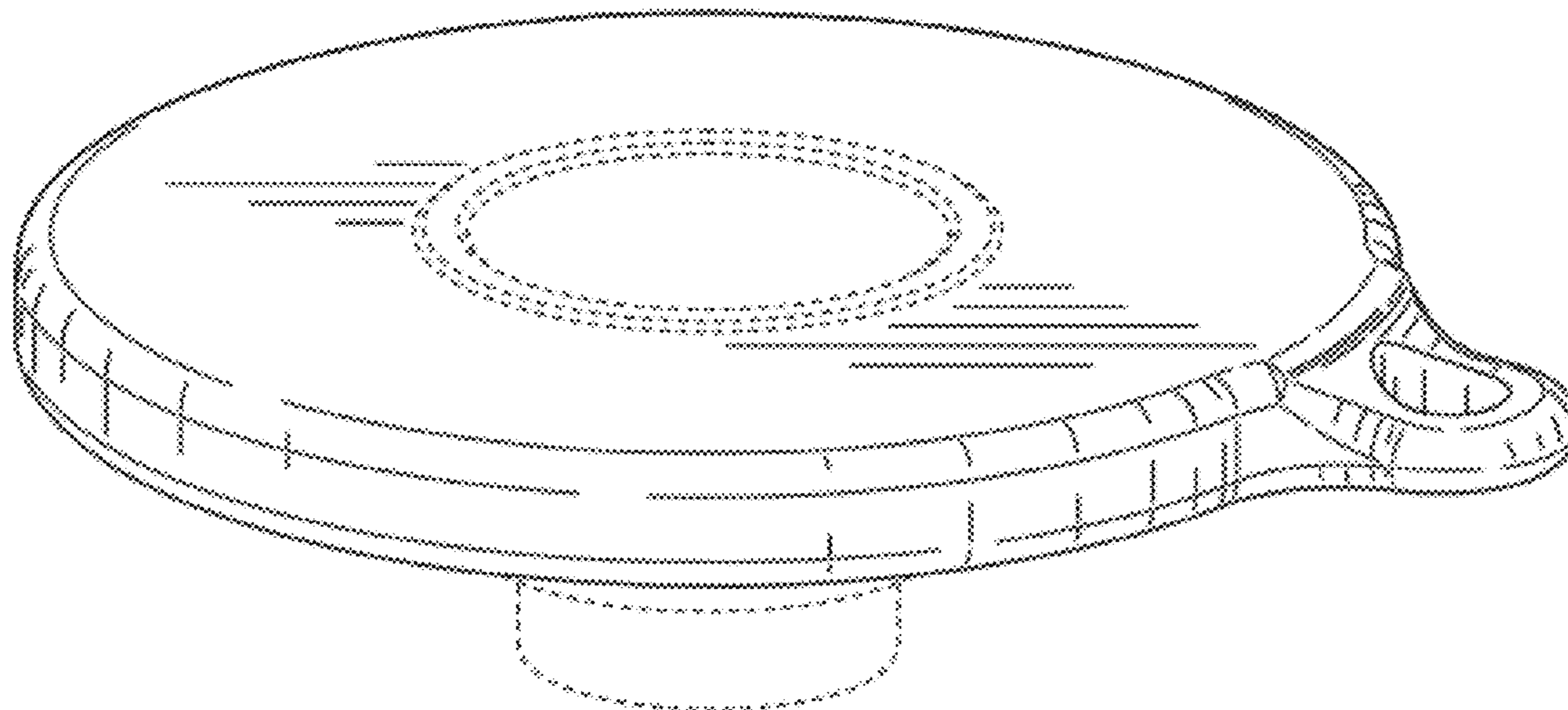
(57) **CLAIM**

The ornamental design for a float for supporting a beverage container holder, as shown and described.

DESCRIPTION

FIG. 1 is a perspective view of a float for supporting a beverage container holder according to the present invention; FIG. 2 is a right side view thereof; FIG. 3 is a left side view thereof; FIG. 4 is a front view thereof; FIG. 5 is a rear view thereof; FIG. 6 is a top plan view thereof; and, FIG. 7 is a bottom plan view thereof. The broken lines in the drawing are for illustrative purposes only and form no part of the claimed design.

1 Claim, 4 Drawing Sheets



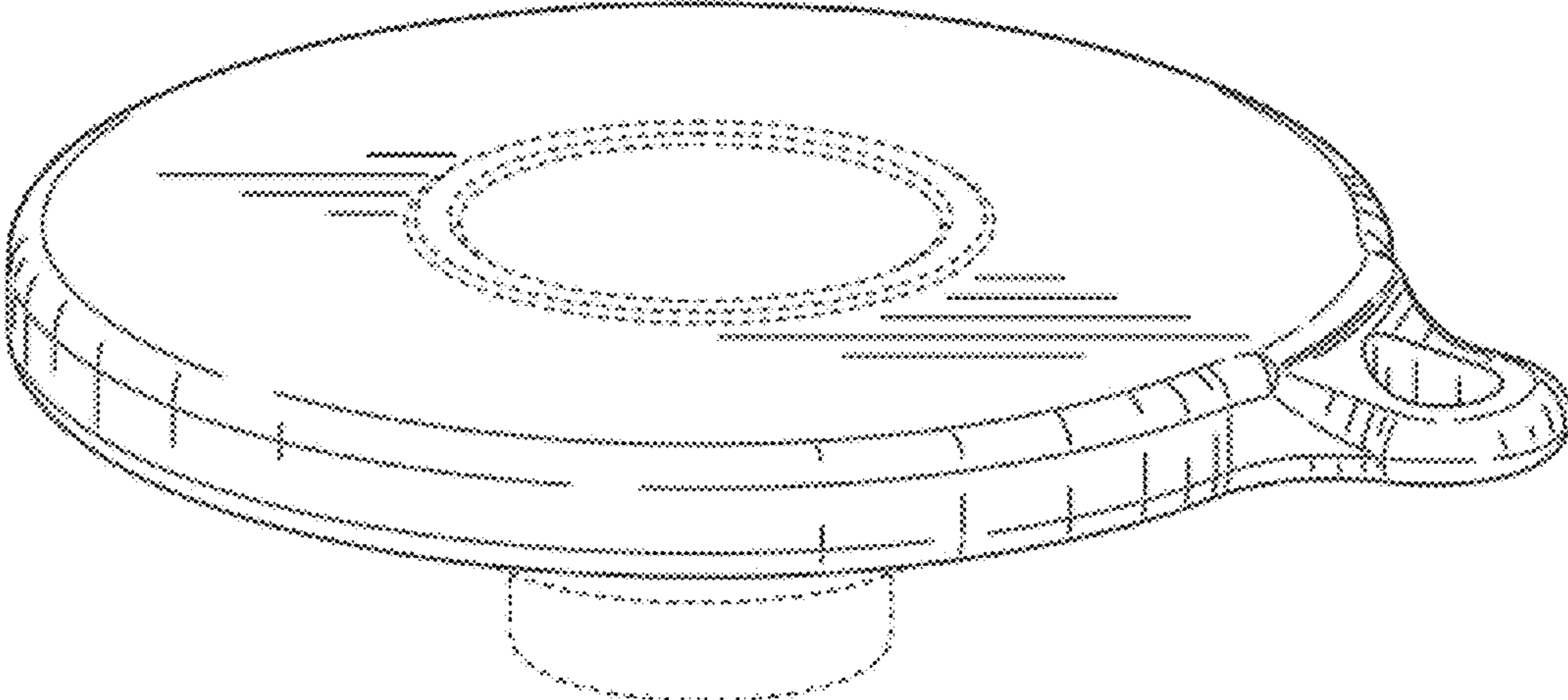


FIG. 1

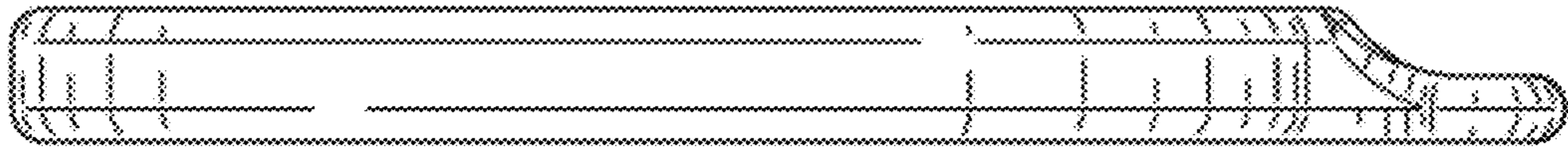


FIG. 2

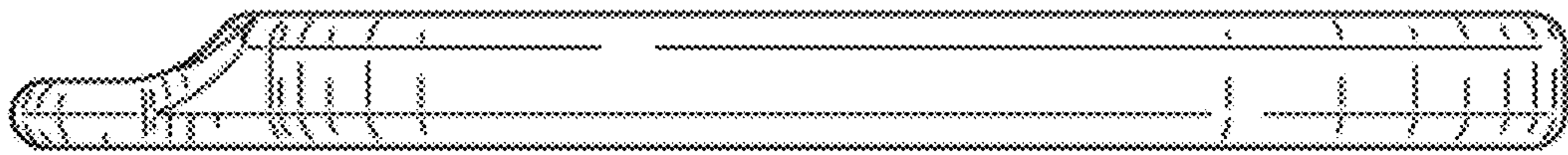


FIG. 3



FIG. 4

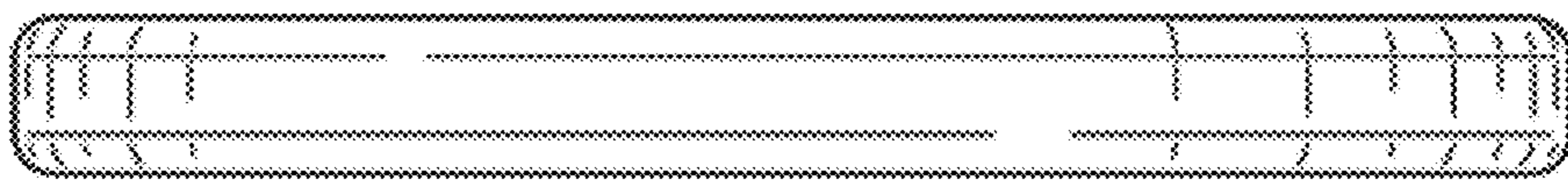


FIG. 5

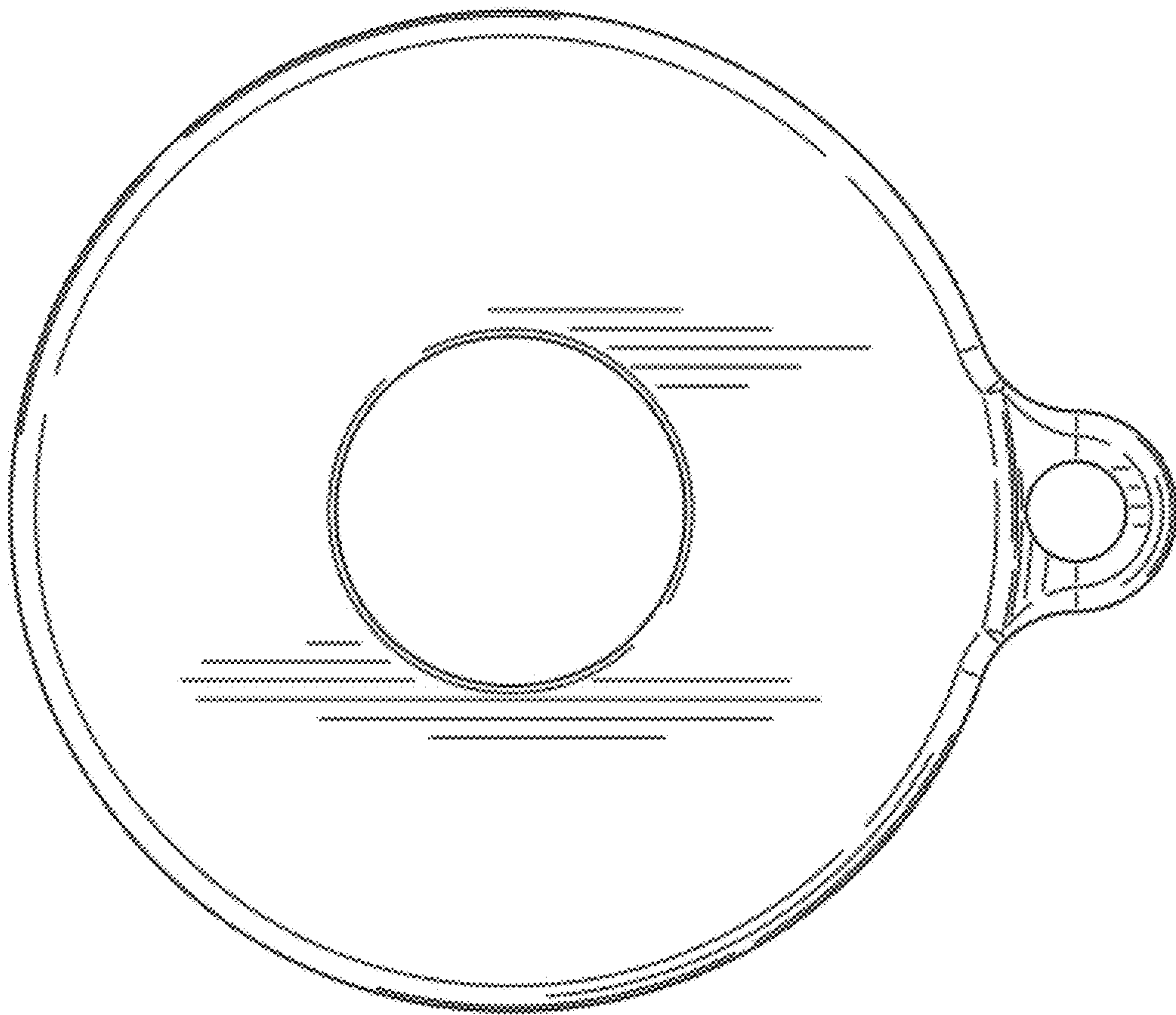


FIG. 6

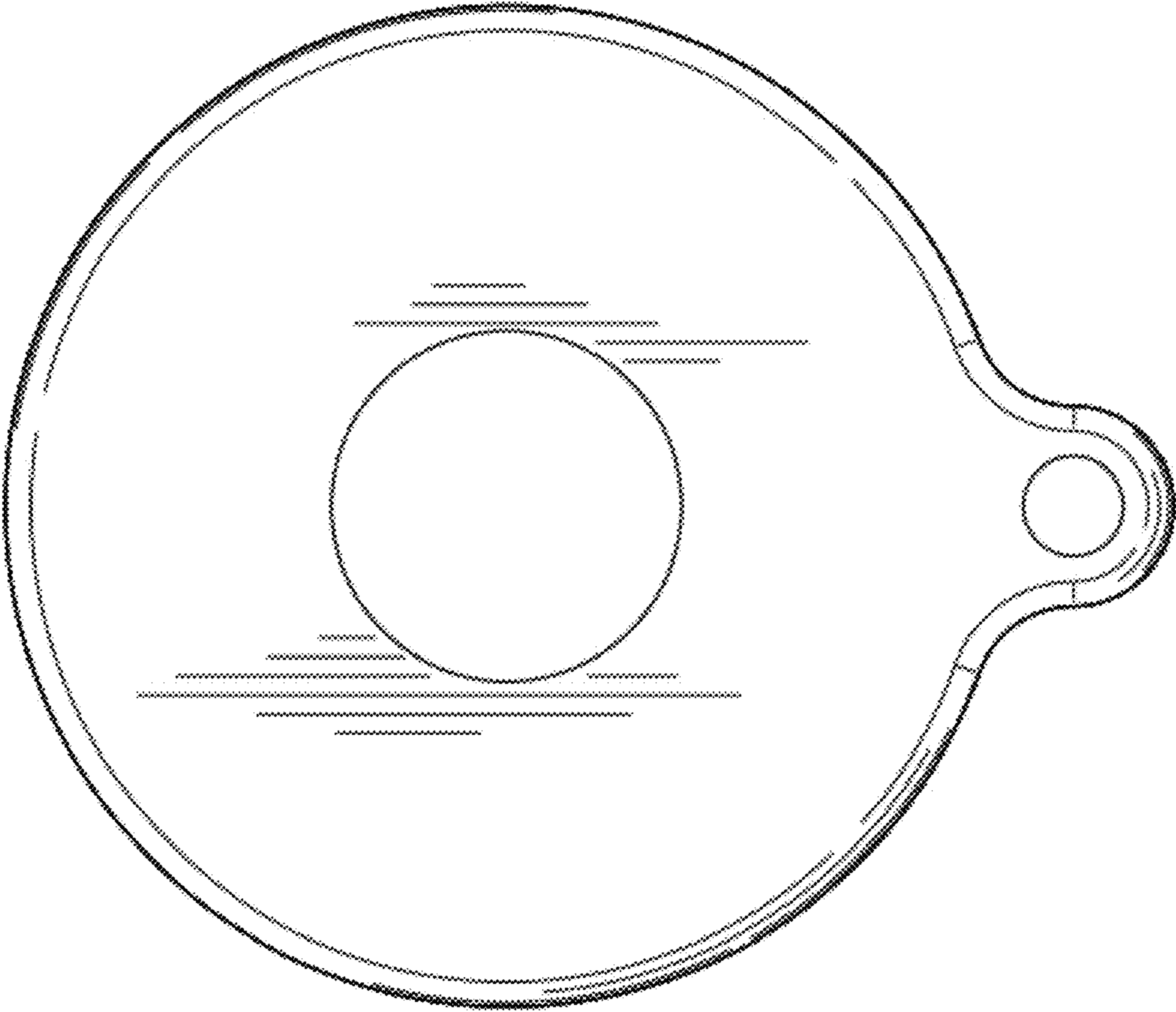


FIG. 7