



US00D668305S

(12) **United States Design Patent**
Wu

(10) **Patent No.:** **US D668,305 S**

(45) **Date of Patent:** **** Oct. 2, 2012**

(54) **ELASTIC ROPE-TYPE ABDOMINAL EXERCISER**

(76) Inventor: **Dong-Her Wu, Chang Hua Hsien (TW)**

(**) Term: **14 Years**

(21) Appl. No.: **29/411,404**

(22) Filed: **Jan. 20, 2012**

(51) **LOC (9) Cl.** **21-02**

(52) **U.S. Cl.** **D21/692**

(58) **Field of Classification Search** D21/662,
D21/673, 686, 692, 694; 482/8, 83, 110,
482/120, 121, 122, 123, 126, 127, 128, 140
See application file for complete search history.

D426,275 S *	6/2000	Sealy	D21/692
6,110,082 A *	8/2000	Tsai	482/121
6,488,614 B1 *	12/2002	Chang	482/110
6,616,582 B1 *	9/2003	Jiang	482/140
6,712,742 B2 *	3/2004	Suiter	482/140
D509,862 S *	9/2005	Tsai	D21/662
7,008,356 B2 *	3/2006	Hung	482/140
7,052,443 B2 *	5/2006	Phillips	482/83
D589,574 S *	3/2009	Tsai	D21/692
7,717,825 B2 *	5/2010	Van Der Hoeven	482/8
7,744,510 B1 *	6/2010	Chen et al.	482/110

* cited by examiner

Primary Examiner — Susan E Krakower

(74) *Attorney, Agent, or Firm* — Jackson IPG PLLC

(57) **CLAIM**

I claim the ornamental design for an elastic rope-type abdominal exerciser, as shown and described.

DESCRIPTION

FIG. 1 is bottom plan view of an elastic rope-type abdominal exerciser showing my new design.

FIG. 2 is a top plan view thereof.

FIG. 3 is a rear elevation view thereof.

FIG. 4 is a front elevation view thereof.

FIG. 5 is a left side view thereof.

FIG. 6 is a right side view thereof; and,

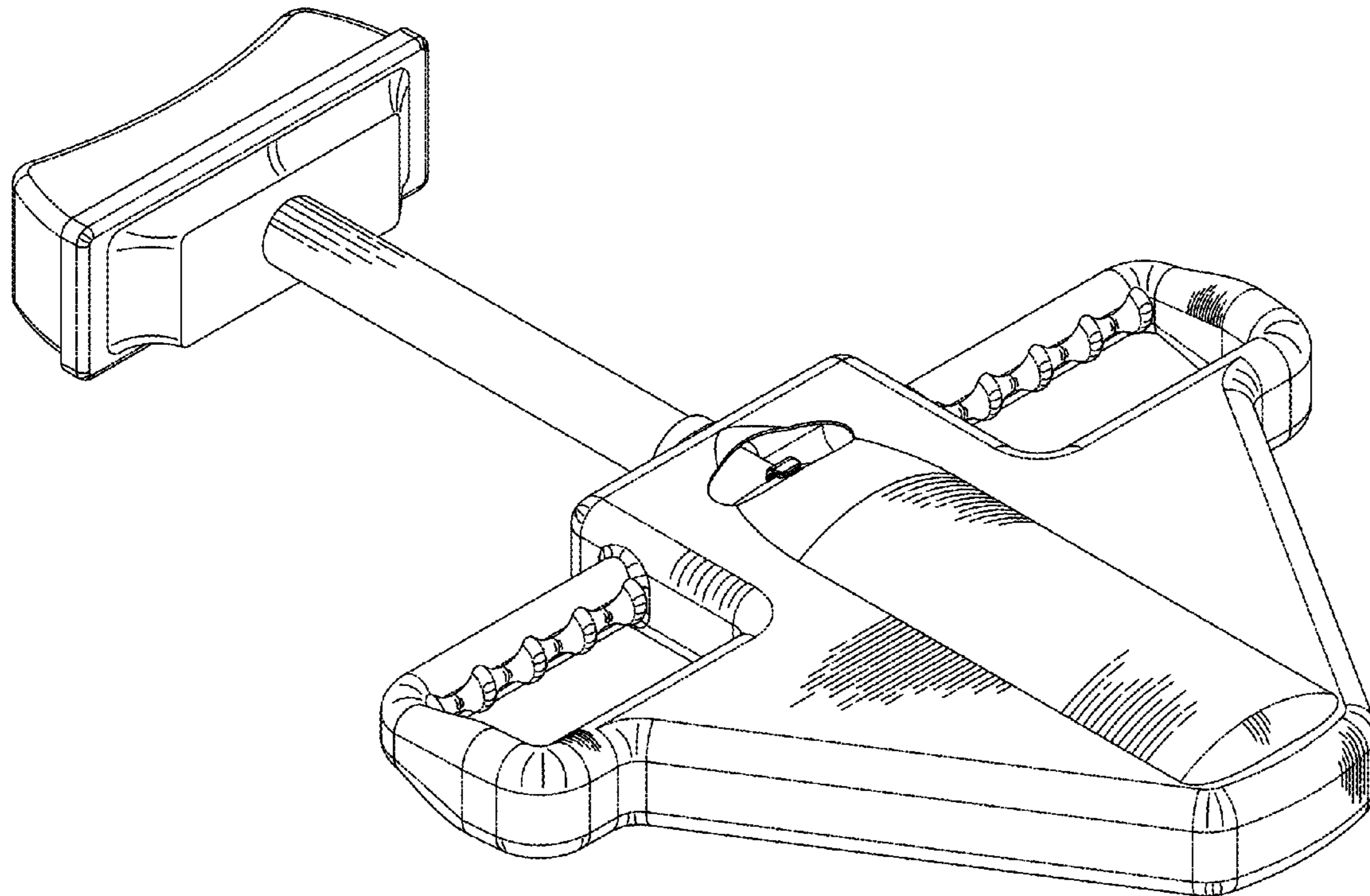
FIG. 7 is a perspective view thereof.

1 Claim, 4 Drawing Sheets

(56) **References Cited**

U.S. PATENT DOCUMENTS

5,160,304 A *	11/1992	Van Der Hoeven	482/128
D379,835 S *	6/1997	Chen	D21/686
D382,318 S *	8/1997	Hollinger	D21/673
D386,225 S *	11/1997	Chen	D21/692
5,690,597 A *	11/1997	Enfaradi	482/126
D387,401 S *	12/1997	Huang	D21/692
5,749,815 A *	5/1998	Lipps	482/122
5,795,275 A *	8/1998	Van Der Hoeven et al.	..	482/122
D403,163 S *	12/1998	Lipps	D21/692
D408,063 S *	4/1999	Van Der Hoeven et al.	..	D21/692



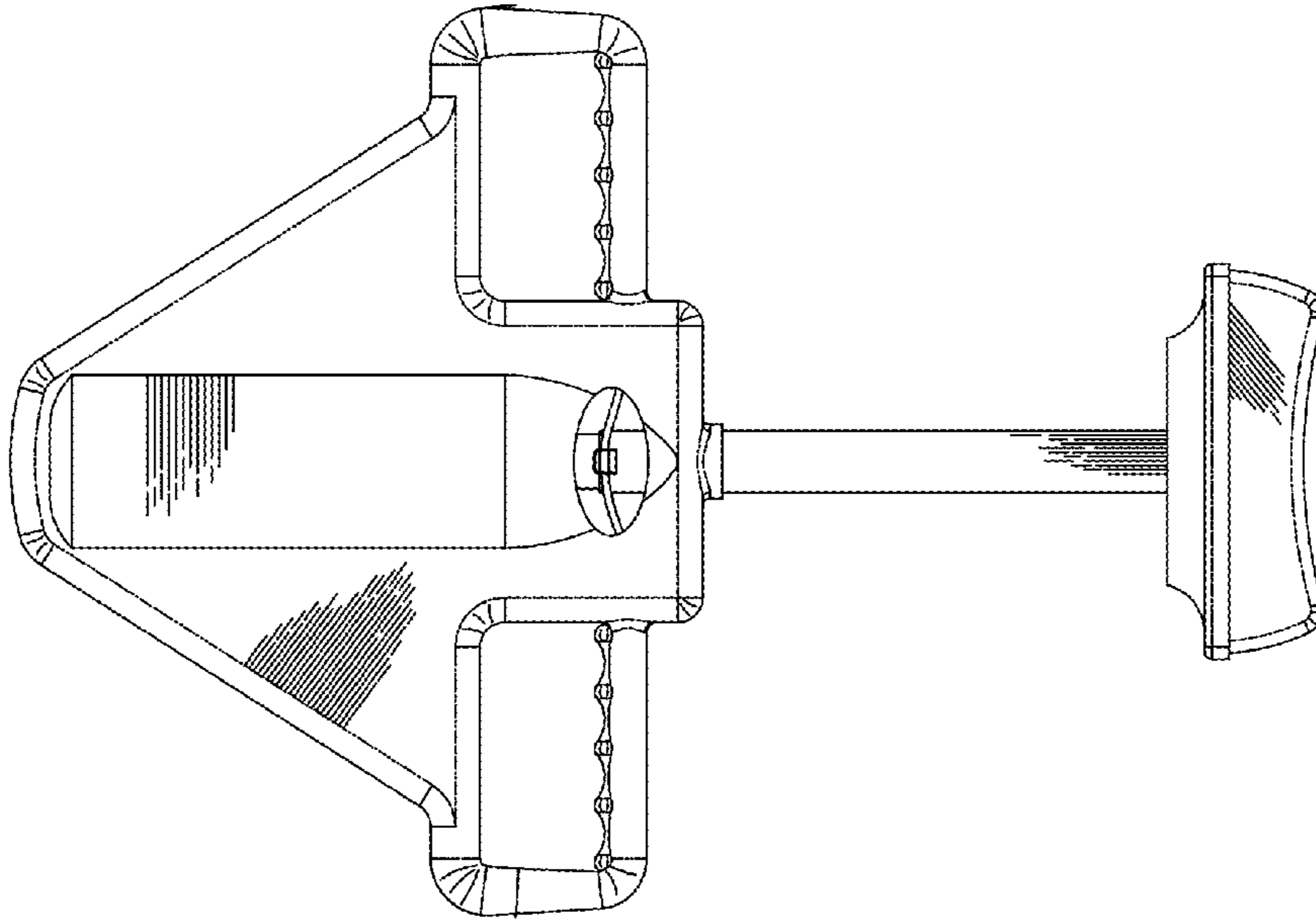


Fig. 2

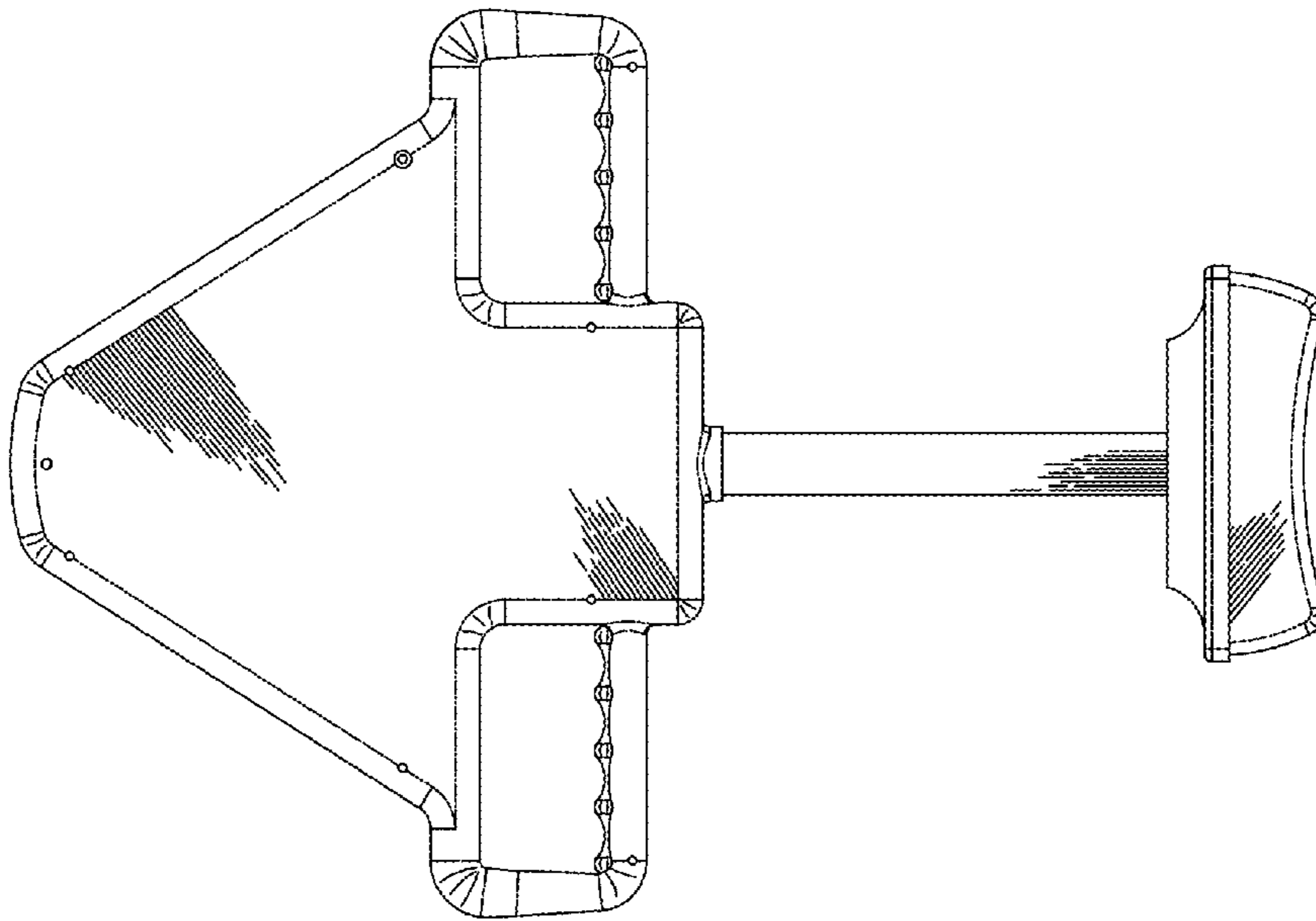


Fig. 1

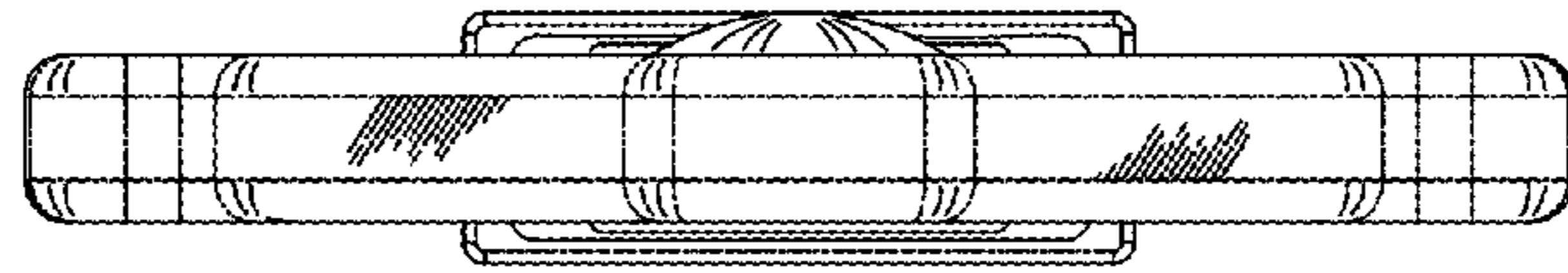


Fig. 3

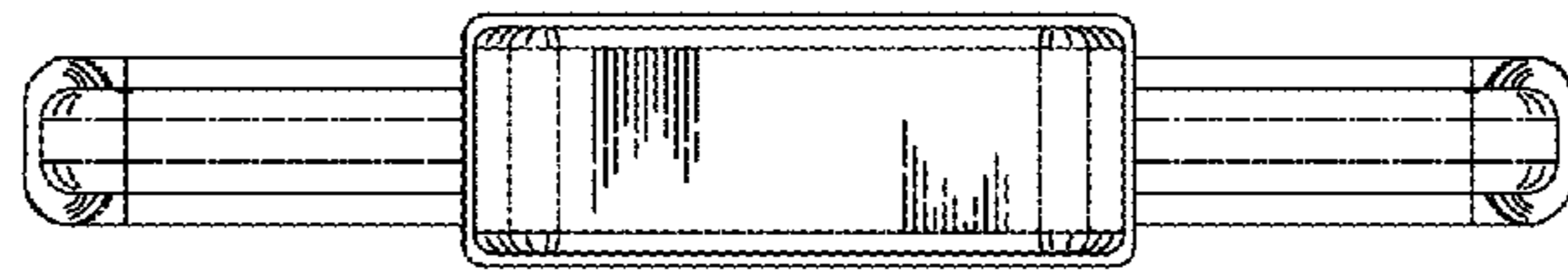


Fig. 4

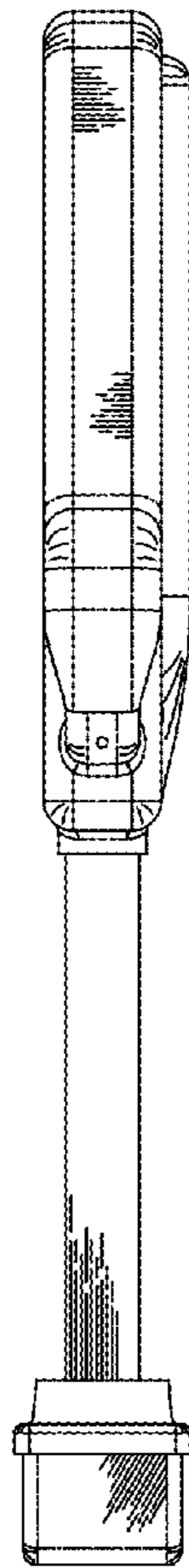


Fig. 5

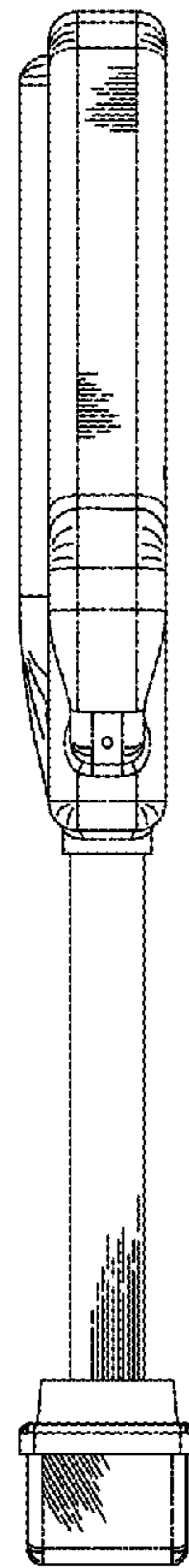


Fig. 6

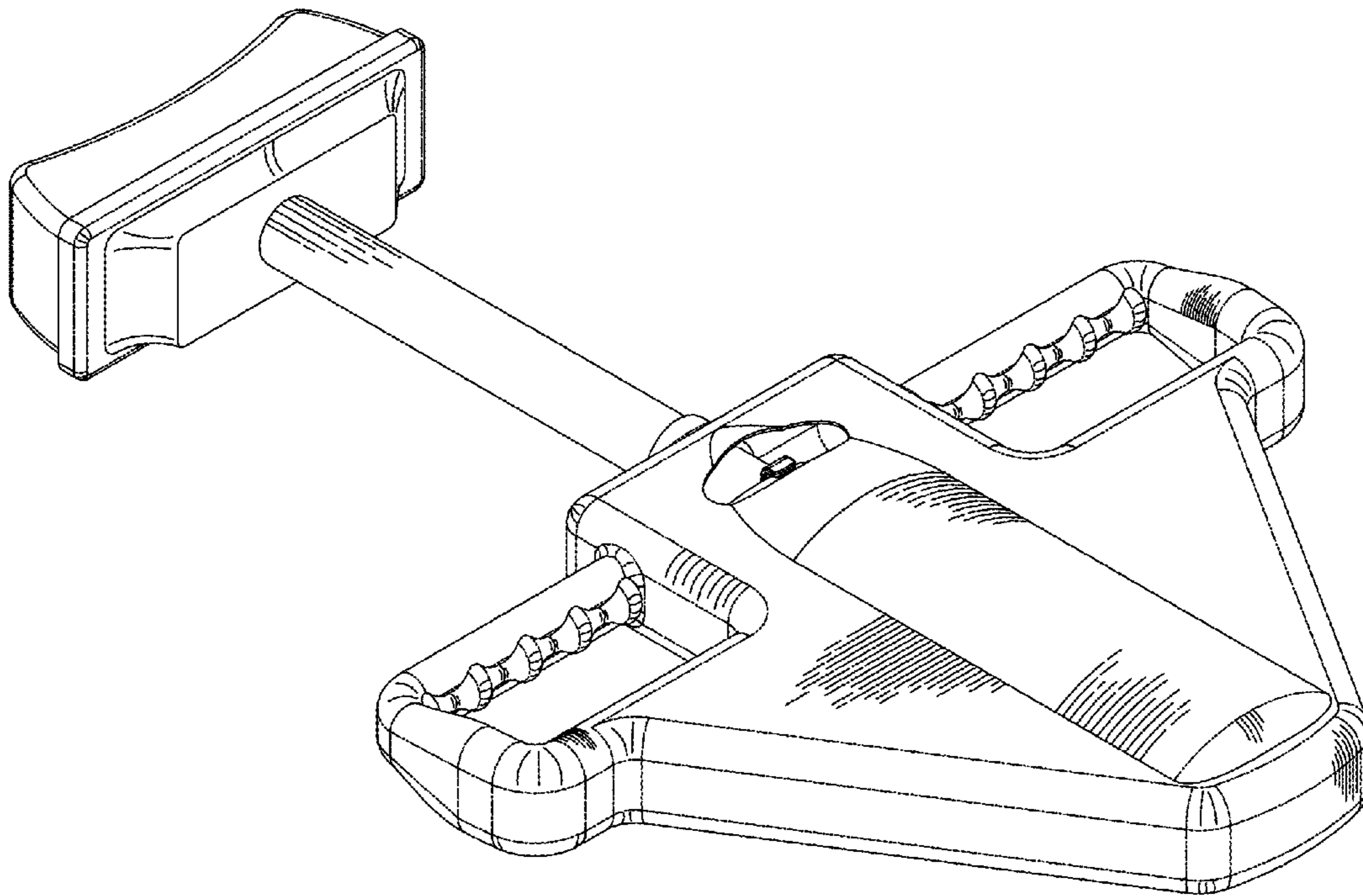


Fig. 7