



US00D668304S

(12) **United States Design Patent**
Hill

(10) **Patent No.:** **US D668,304 S**

(45) **Date of Patent:** **** Oct. 2, 2012**

(54) **EXERCISE APPARATUS**

(75) Inventor: **Clinton Alan Hill**, South Penrith (AU)

(73) Assignee: **Hill Tranz Pty. Ltd.**, South Penrith, New South Wales (AU)

(**) Term: **14 Years**

(21) Appl. No.: **29/397,804**

(22) Filed: **Jul. 21, 2011**

(51) **LOC (9) Cl.** **21-02**

(52) **U.S. Cl.** **D21/662**

(58) **Field of Classification Search** D21/662,
D21/676, 686-689, 694; 482/51, 71, 91,
482/96, 131-132, 140, 142, 146-147; 601/23,
601/33, 40, 127, 131

See application file for complete search history.

(56) **References Cited**

U.S. PATENT DOCUMENTS

1,997,139	A *	4/1935	Gardener et al.	482/132
5,921,901	A *	7/1999	Palacios	482/132
D425,585	S *	5/2000	Wu	D21/676
6,196,954	B1 *	3/2001	Chen	482/131
D446,264	S *	8/2001	Fischer et al.	D21/662
6,780,144	B2 *	8/2004	Stevens	482/91
D496,701	S *	9/2004	Chung	D21/687
D567,312	S *	4/2008	Tsai	D21/688
D574,901	S *	8/2008	Campanaro et al.	D21/687

D626,608	S *	11/2010	Tsai	D21/689
D629,852	S *	12/2010	Repac	D21/662
D659,774	S *	5/2012	Huang et al.	D21/662

FOREIGN PATENT DOCUMENTS

AU 2010100430 A4 6/2010

* cited by examiner

Primary Examiner — Susan E Krakower

(74) *Attorney, Agent, or Firm* — Birch, Stewart, Kolasch & Birch, LLP

(57) **CLAIM**

The ornamental design for an exercise apparatus, as shown and described.

DESCRIPTION

FIG. 1 is a front perspective view of an exercise apparatus showing my new design;

FIG. 2 is a left side elevational view thereof;

FIG. 3 is a right side elevational view thereof;

FIG. 4 is a rear elevational view thereof;

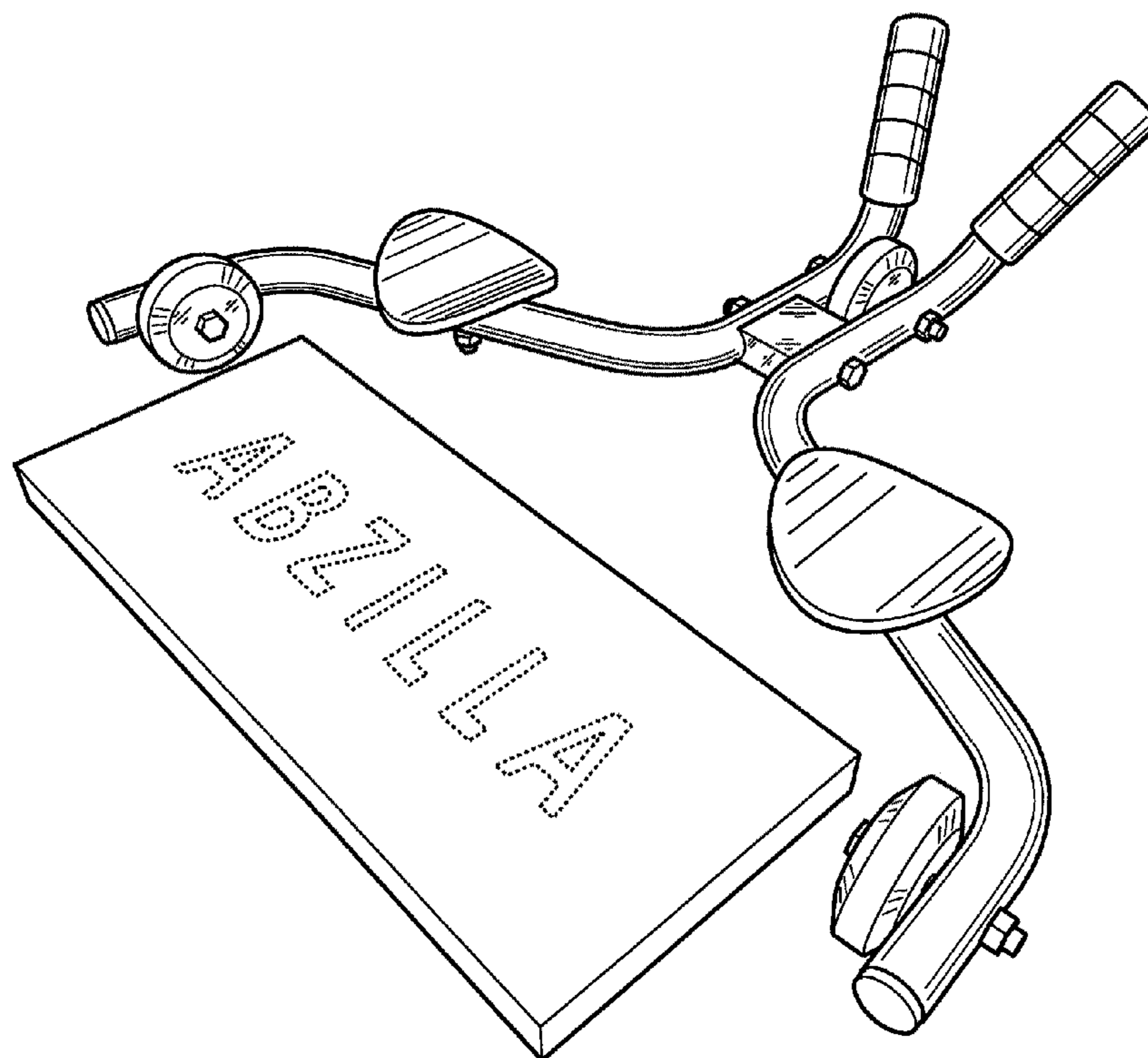
FIG. 5 is a front elevational view thereof;

FIG. 6 is a top plan view thereof; and,

FIG. 7 is a bottom view thereof.

The portions shown in broken lines form no part of the claimed design.

1 Claim, 7 Drawing Sheets



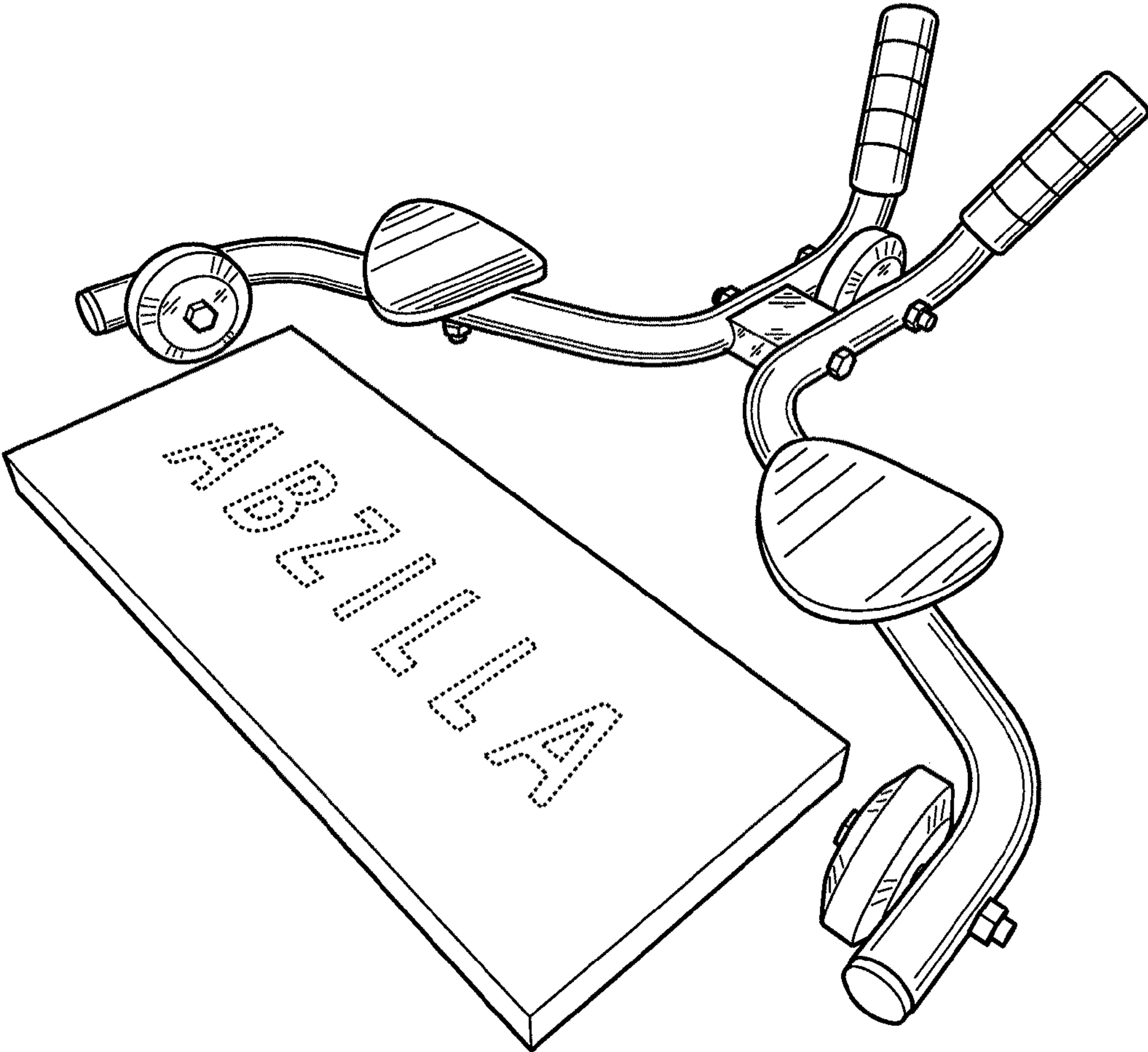


FIG. 1

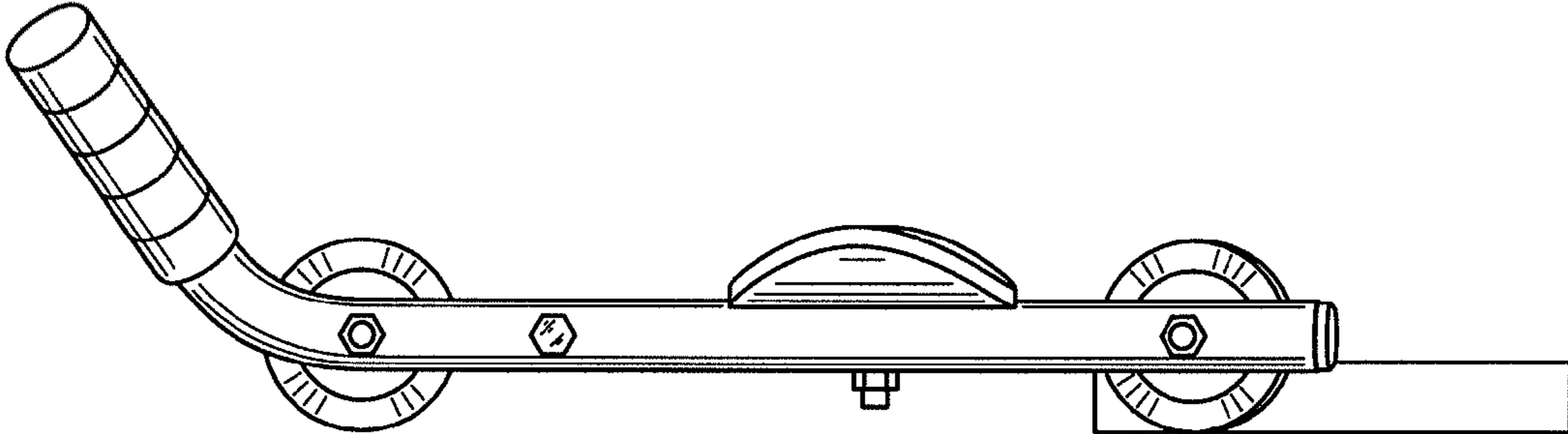


FIG. 2

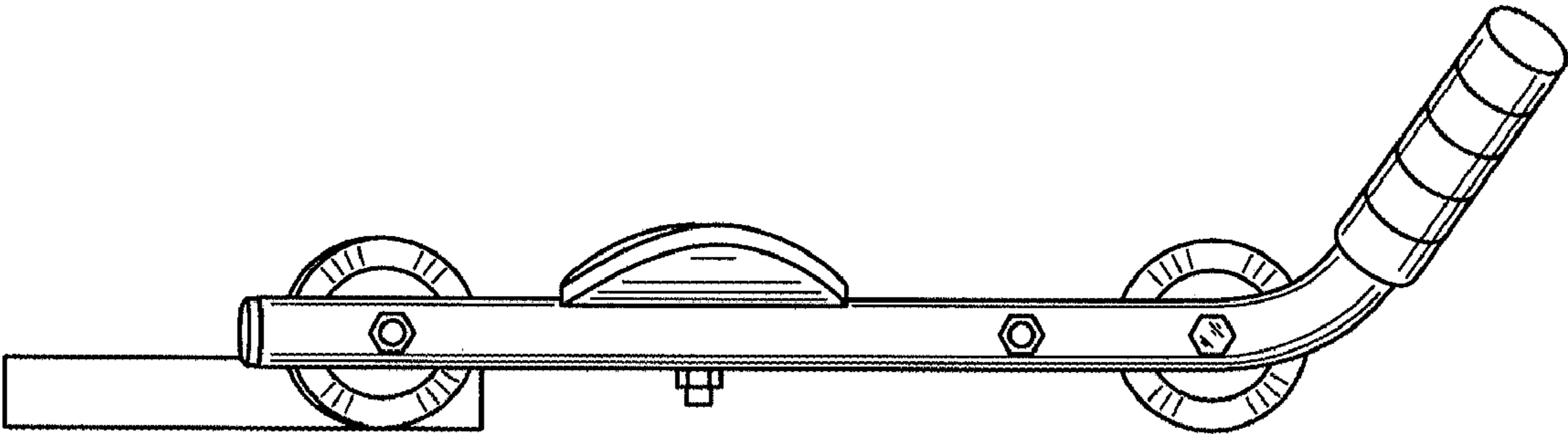


FIG. 3

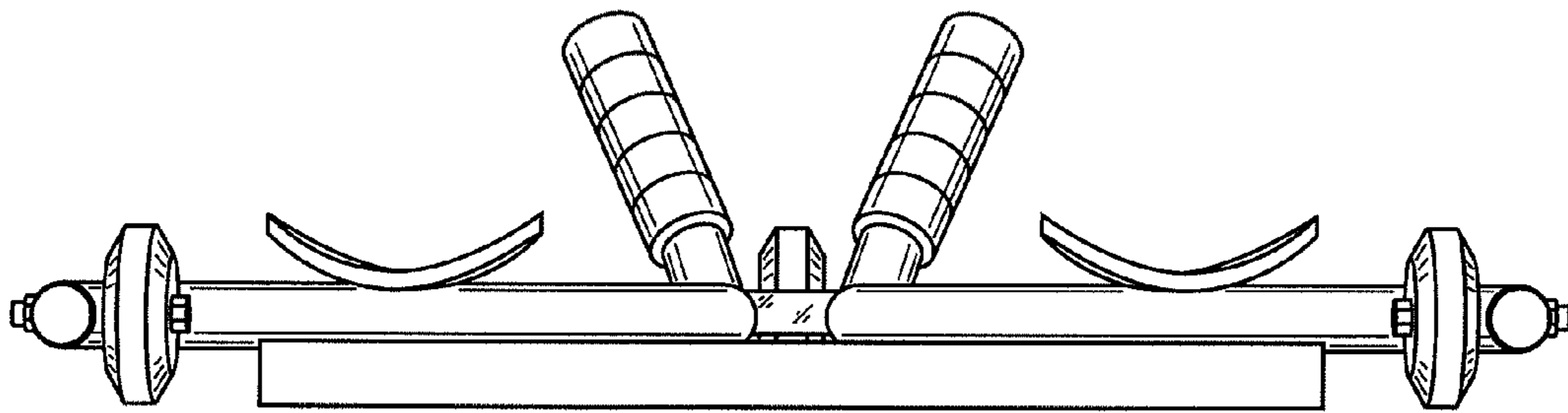


FIG. 4

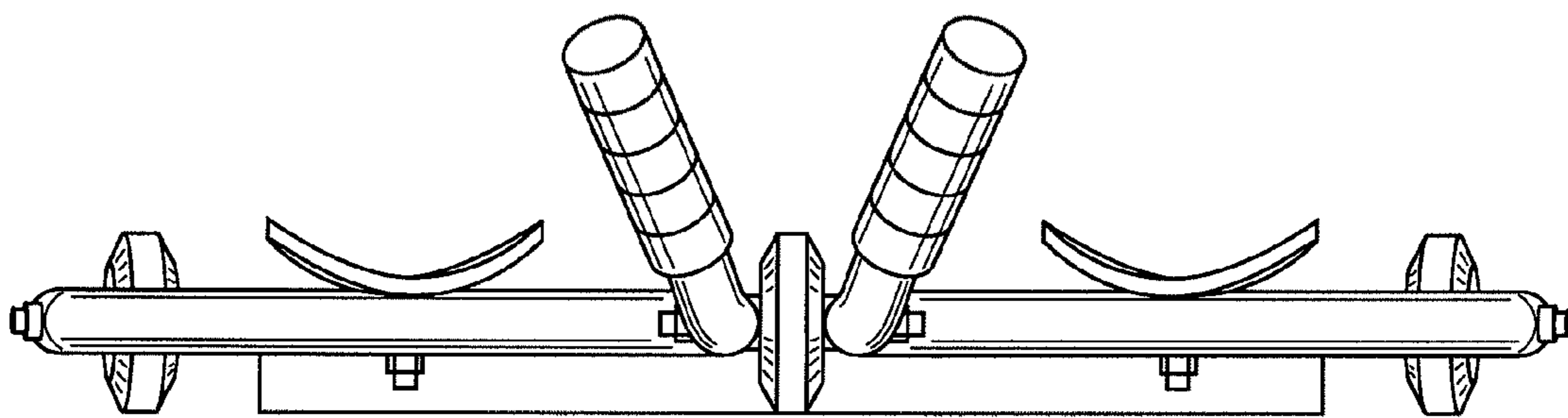


FIG. 5

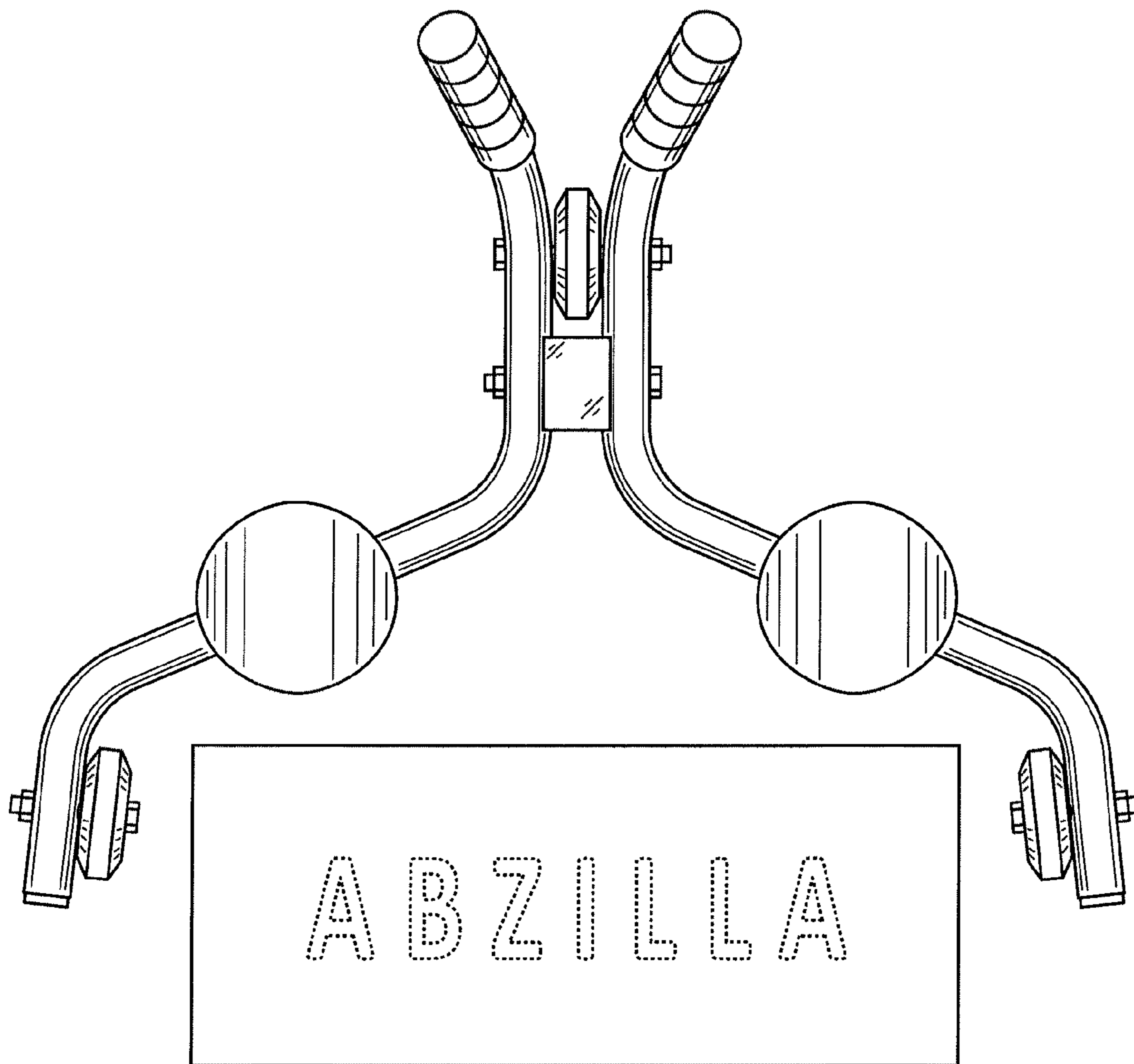


FIG. 6

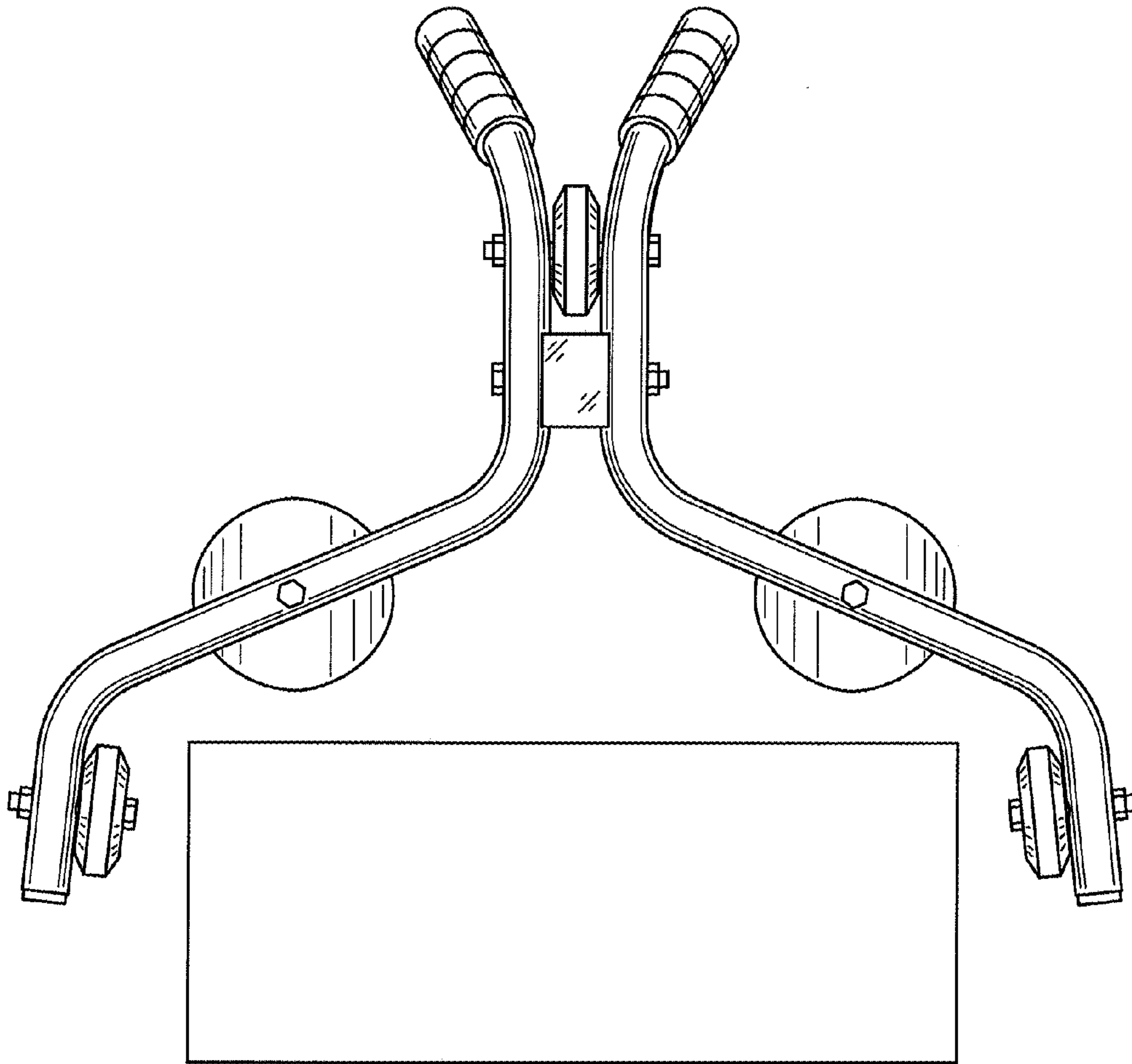


FIG. 7