



US00D668302S

(12) **United States Design Patent**  
**Hino**

(10) **Patent No.:** **US D668,302 S**

(45) **Date of Patent:** **\*\* Oct. 2, 2012**

(54) **BRICK FOR PLAY**

(75) Inventor: **Chihiro Hino**, Tokyo (JP)

(73) Assignee: **Bandai Co., Ltd.**, Tokyo (JP)

(\*\*) Term: **14 Years**

(21) Appl. No.: **29/397,773**

(22) Filed: **Jul. 20, 2011**

(30) **Foreign Application Priority Data**

Jan. 25, 2011 (JP) ..... 2011-001409

(51) **LOC (9) Cl.** ..... **21-01**

(52) **U.S. Cl.** ..... **D21/501; D21/484**

(58) **Field of Classification Search** ..... D21/484-485,  
D21/488, 491-495, 499, 500-504; D25/113,  
D25/114, 118; 446/69, 89, 92, 97, 102-128;  
434/259, 208, 403; 273/153, 156, 160; D9/669  
See application file for complete search history.

(56) **References Cited**

**U.S. PATENT DOCUMENTS**

D258,201 S *	2/1981	Cassini	.....	D9/669
D279,915 S *	7/1985	Arnau Pibet	.....	D21/500
D324,084 S *	2/1992	Knudsen	.....	D21/500
D346,675 S *	5/1994	Lang et al.	.....	D9/669
D352,743 S *	11/1994	Kushner et al.	.....	D21/500
D368,939 S *	4/1996	Frederiksen	.....	D21/500
D370,504 S *	6/1996	Glynn	.....	D21/501

D394,465 S *	5/1998	Schmidt	.....	D21/501
D413,636 S *	9/1999	Laserna Fernandez	.....	D21/499
D461,566 S *	8/2002	Ogawa et al.	.....	D25/113
D461,913 S *	8/2002	Ogawa	.....	D25/113
D468,778 S *	1/2003	Manville	.....	D21/489
D528,869 S *	9/2006	VanHook	.....	D21/501
D544,925 S *	6/2007	Drosendahl	.....	D21/493
D545,922 S *	7/2007	Glickman et al.	.....	D21/484
D561,847 S *	2/2008	Glickman et al.	.....	D21/500
D566,201 S *	4/2008	Glickman et al.	.....	D21/484
D600,291 S *	9/2009	Christensen et al.	.....	D21/501

\* cited by examiner

*Primary Examiner* — Cynthia M Chin

(74) *Attorney, Agent, or Firm* — Rabin & Berdo, P.C.

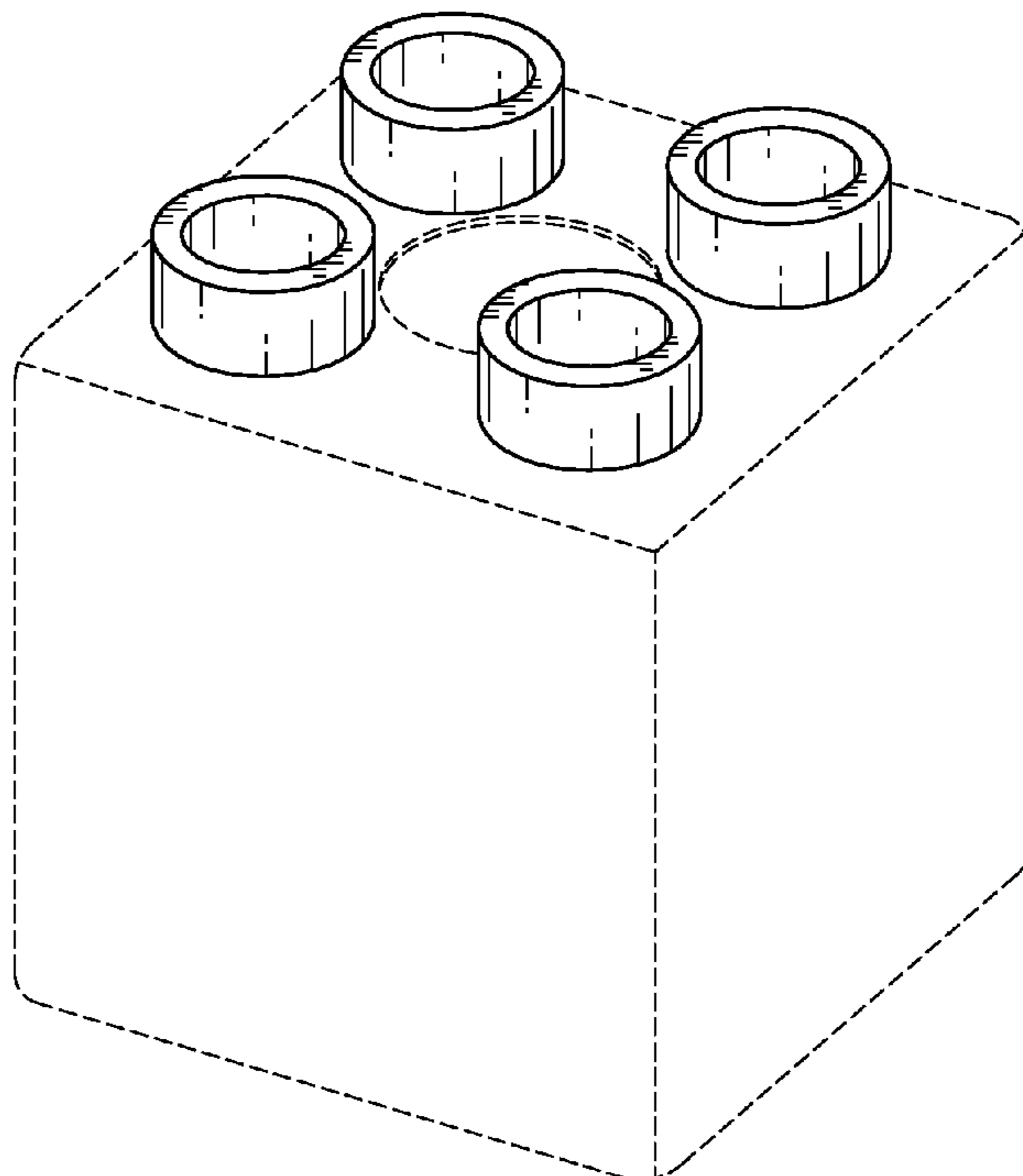
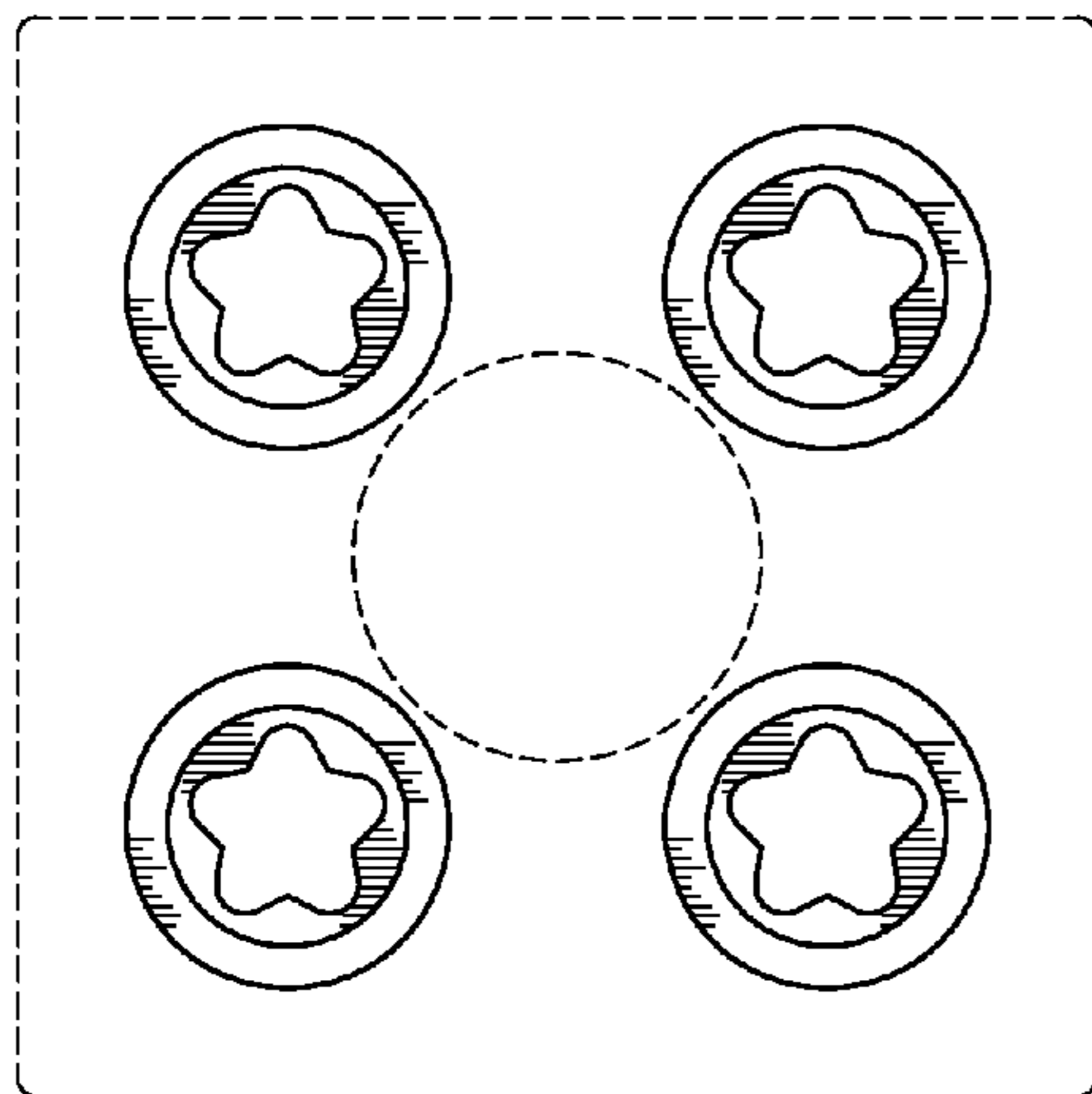
(57) **CLAIM**

The ornamental design for a brick for play, as shown and described.

**DESCRIPTION**

FIG. 1 is a front view of the brick for play;  
FIG. 2 is a rear view thereof;  
FIG. 3 is a right side view thereof;  
FIG. 4 is a left side view thereof;  
FIG. 5 is a top view thereof;  
FIG. 6 is a bottom view thereof;  
FIG. 7 is a perspective view thereof; and,  
FIG. 8 is another perspective view thereof.  
The broken lines represent portion of the article that form no part of the claim.

**1 Claim, 8 Drawing Sheets**



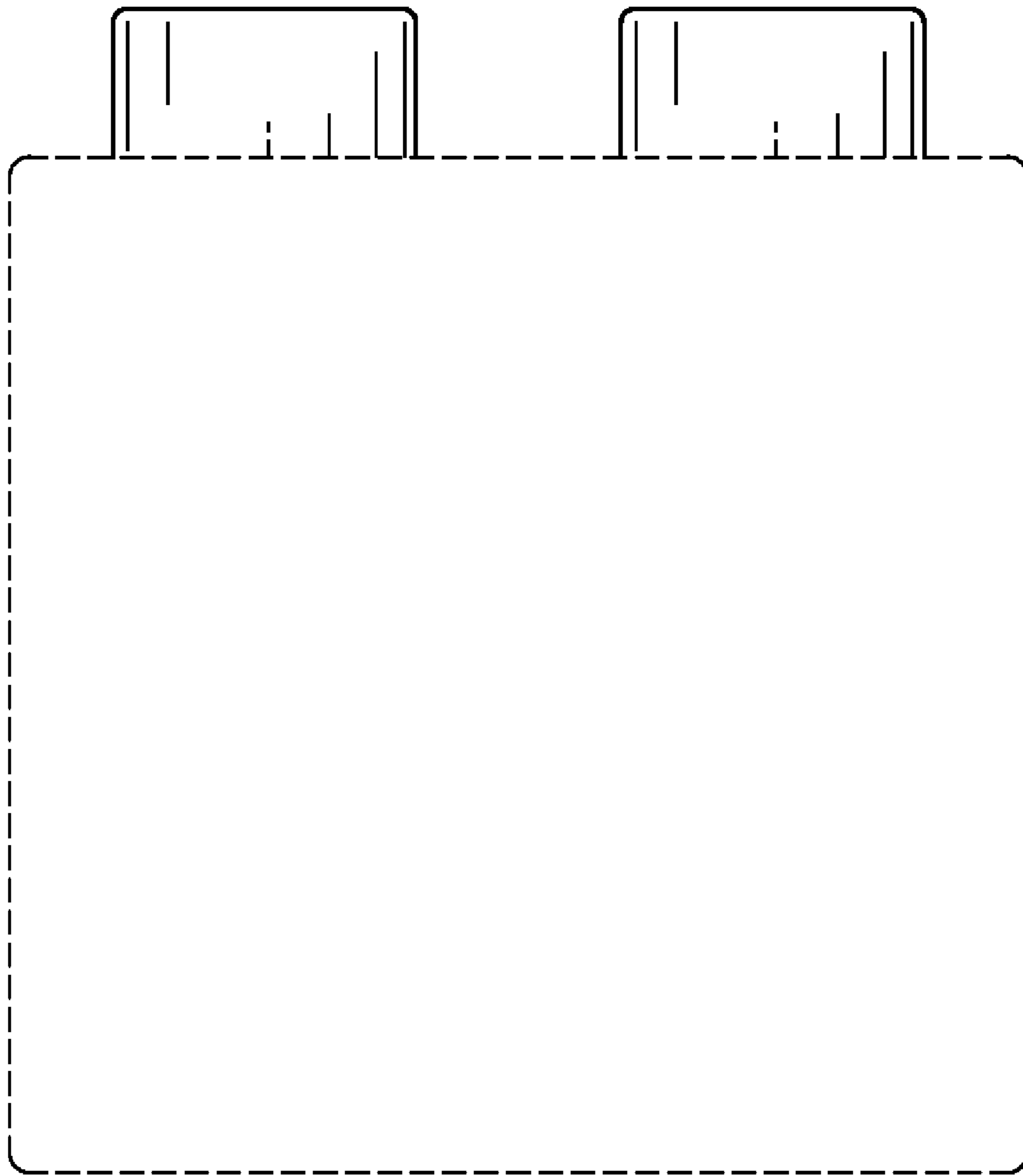


FIG. 1

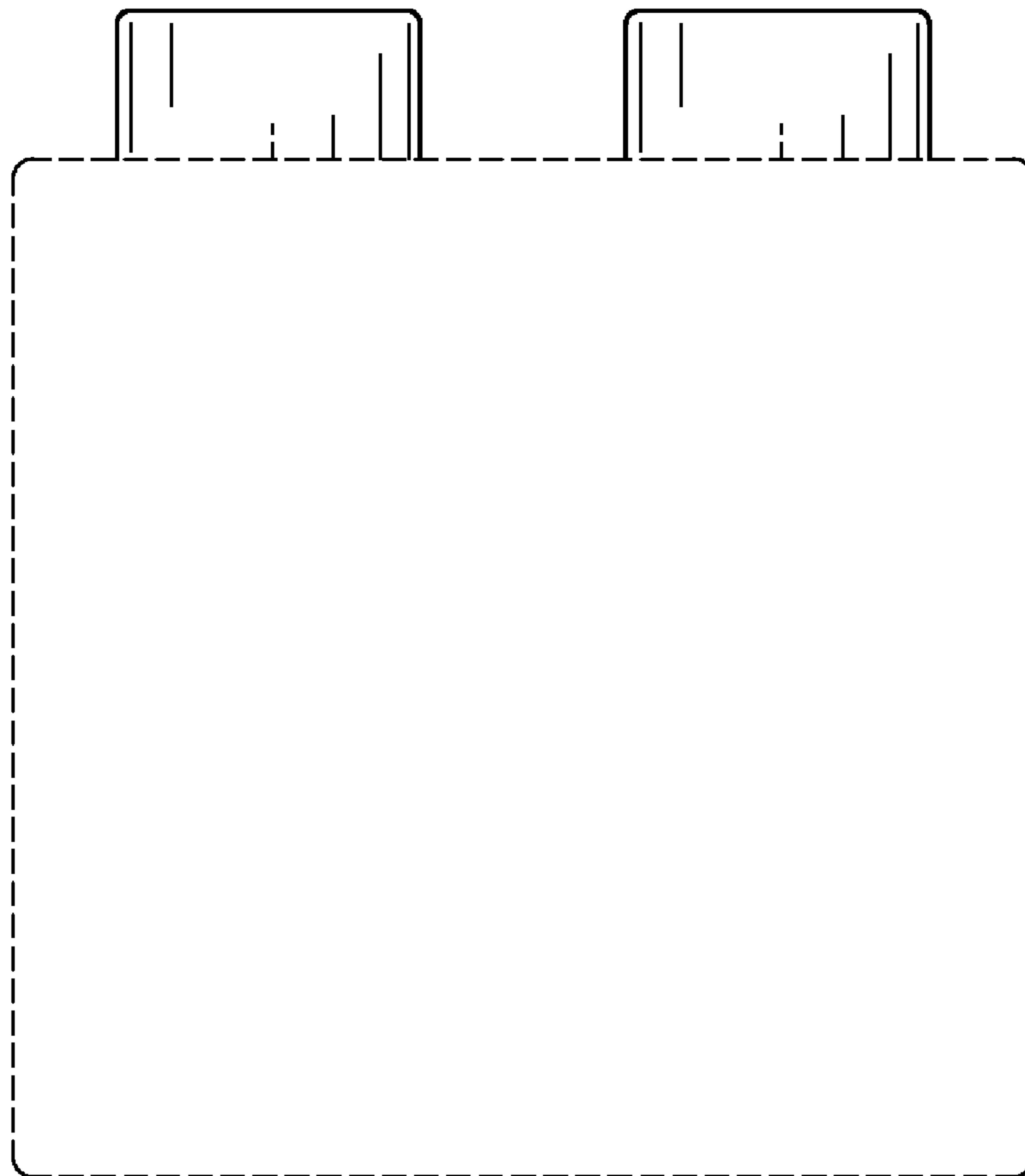


FIG. 2

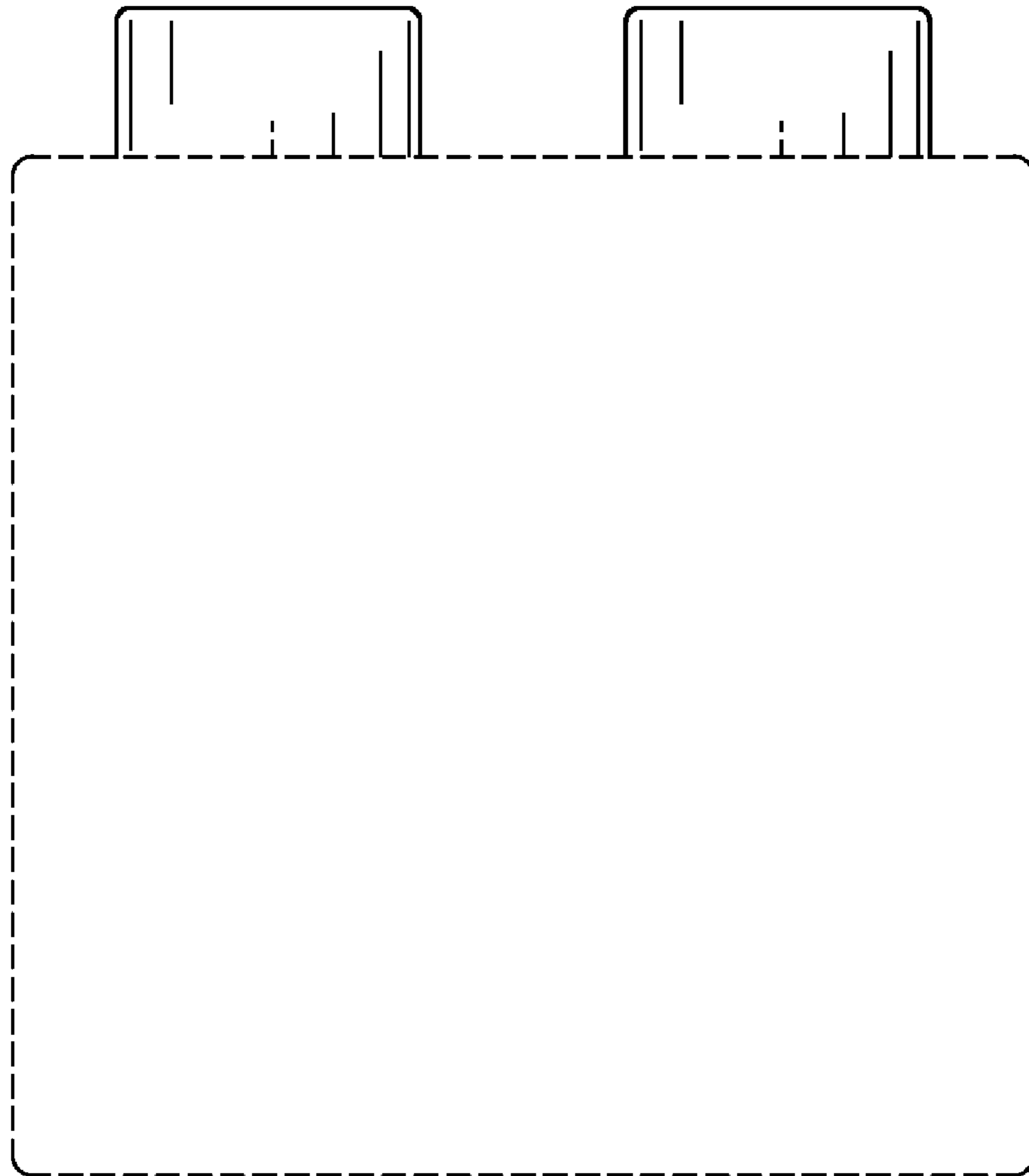


FIG. 3

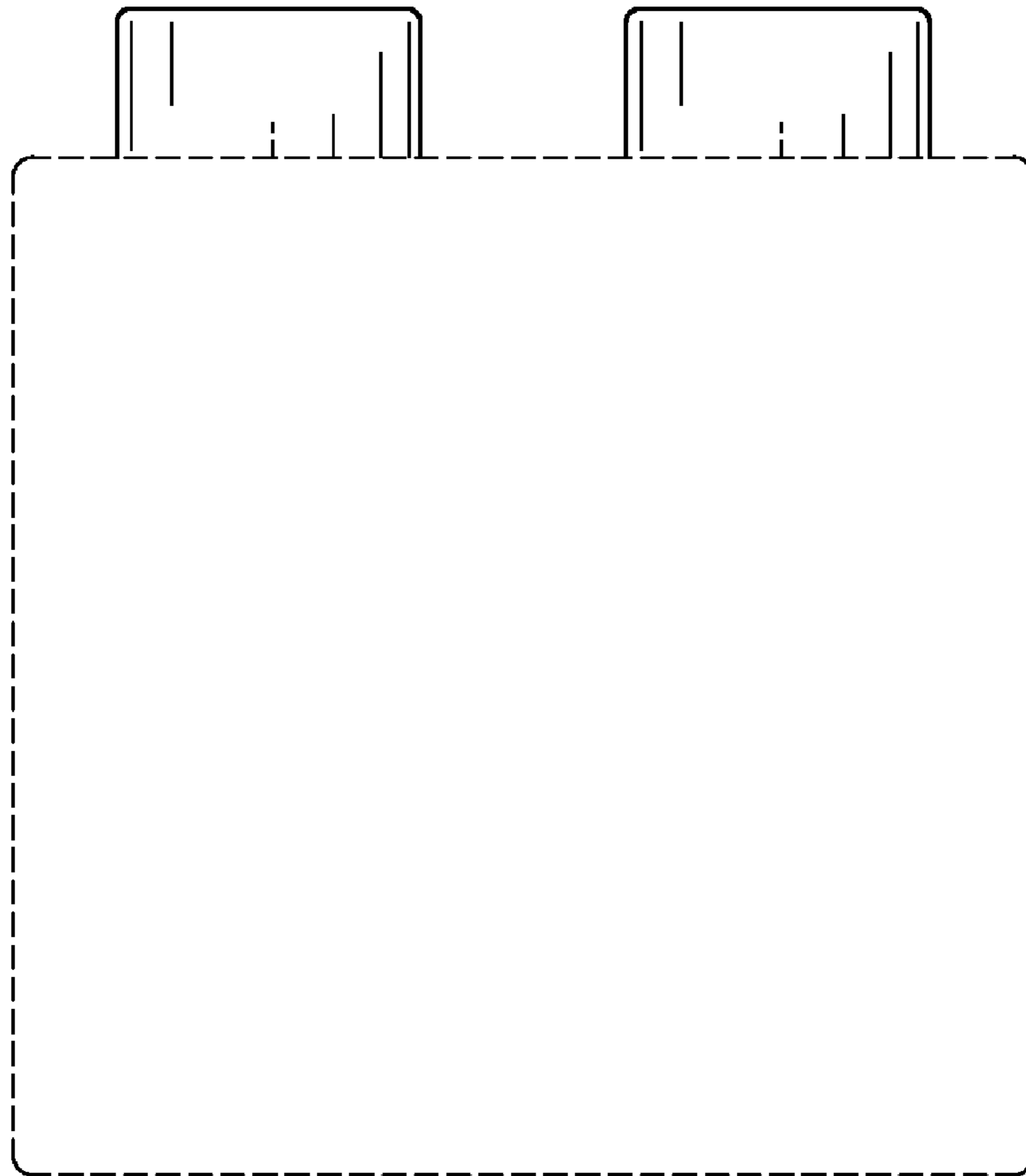


FIG. 4

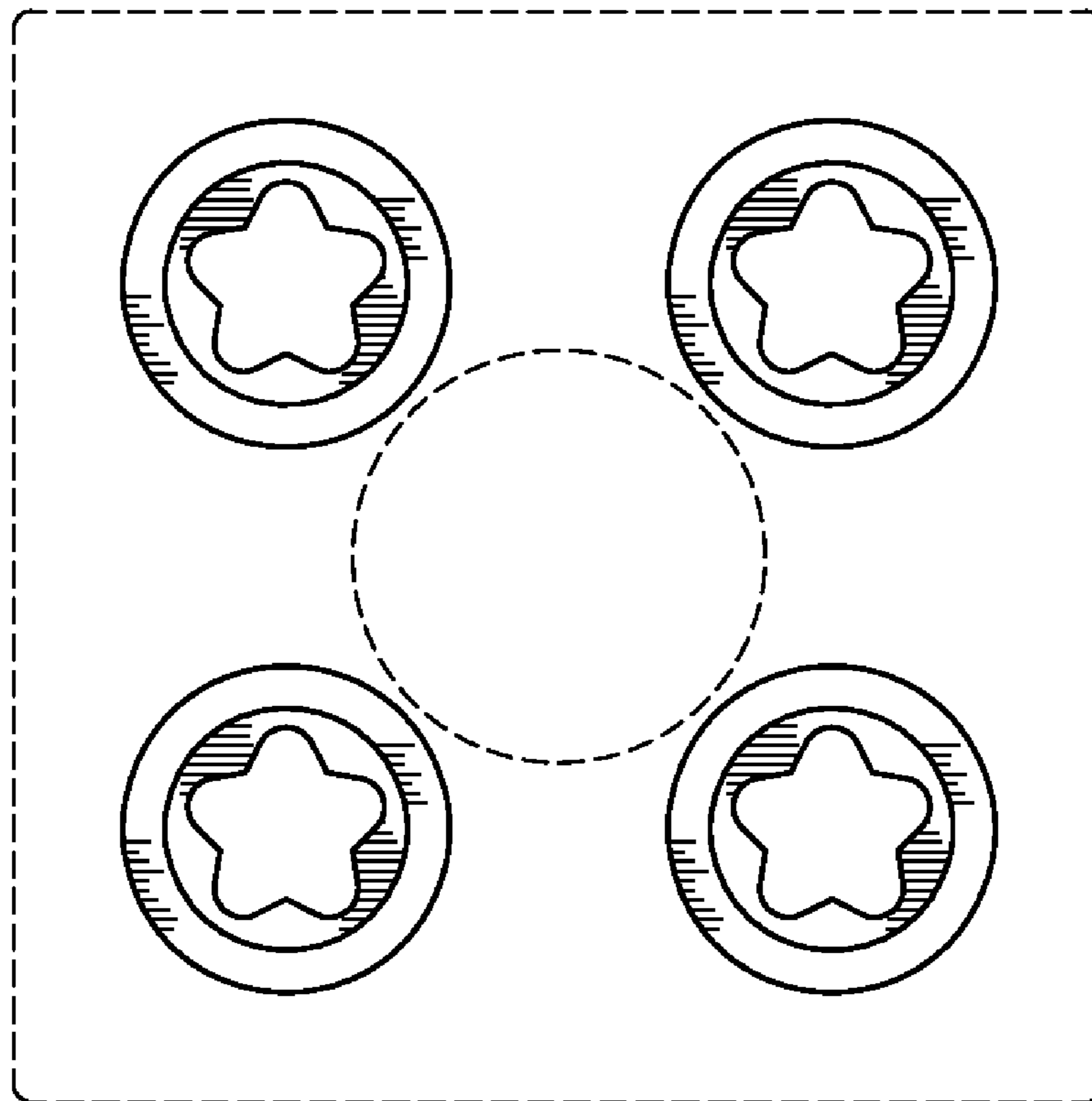


FIG. 5

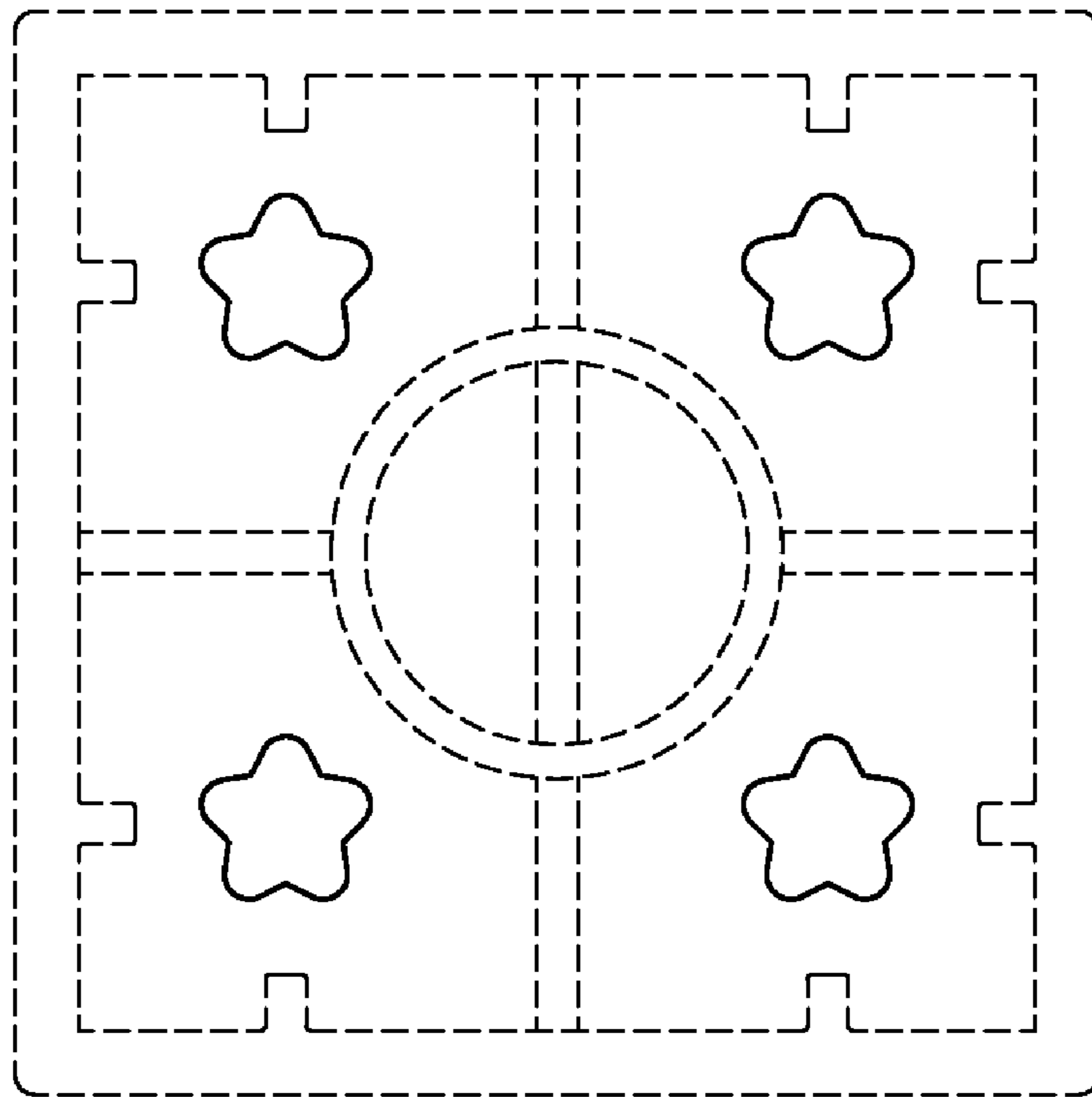


FIG. 6

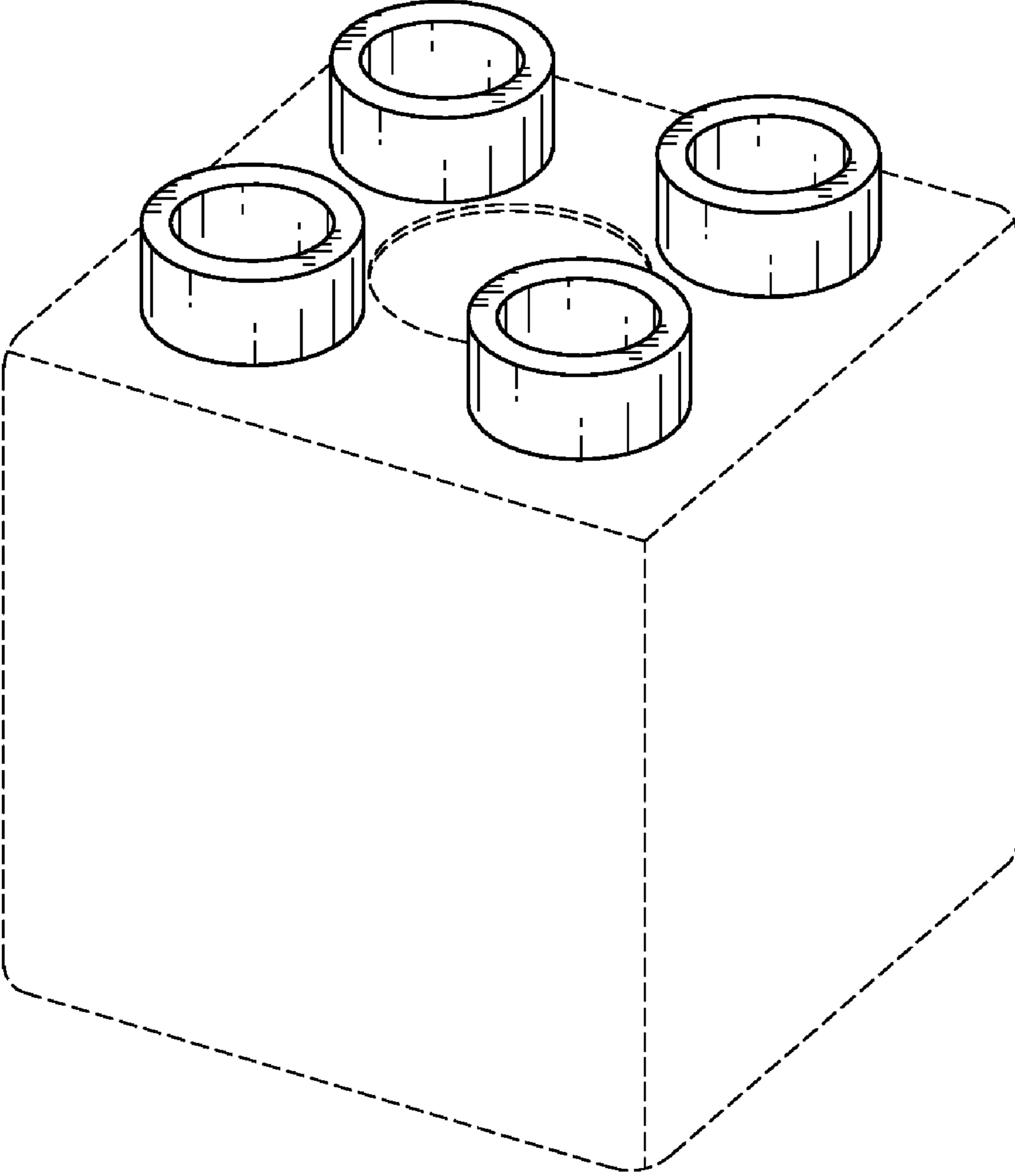


FIG. 7



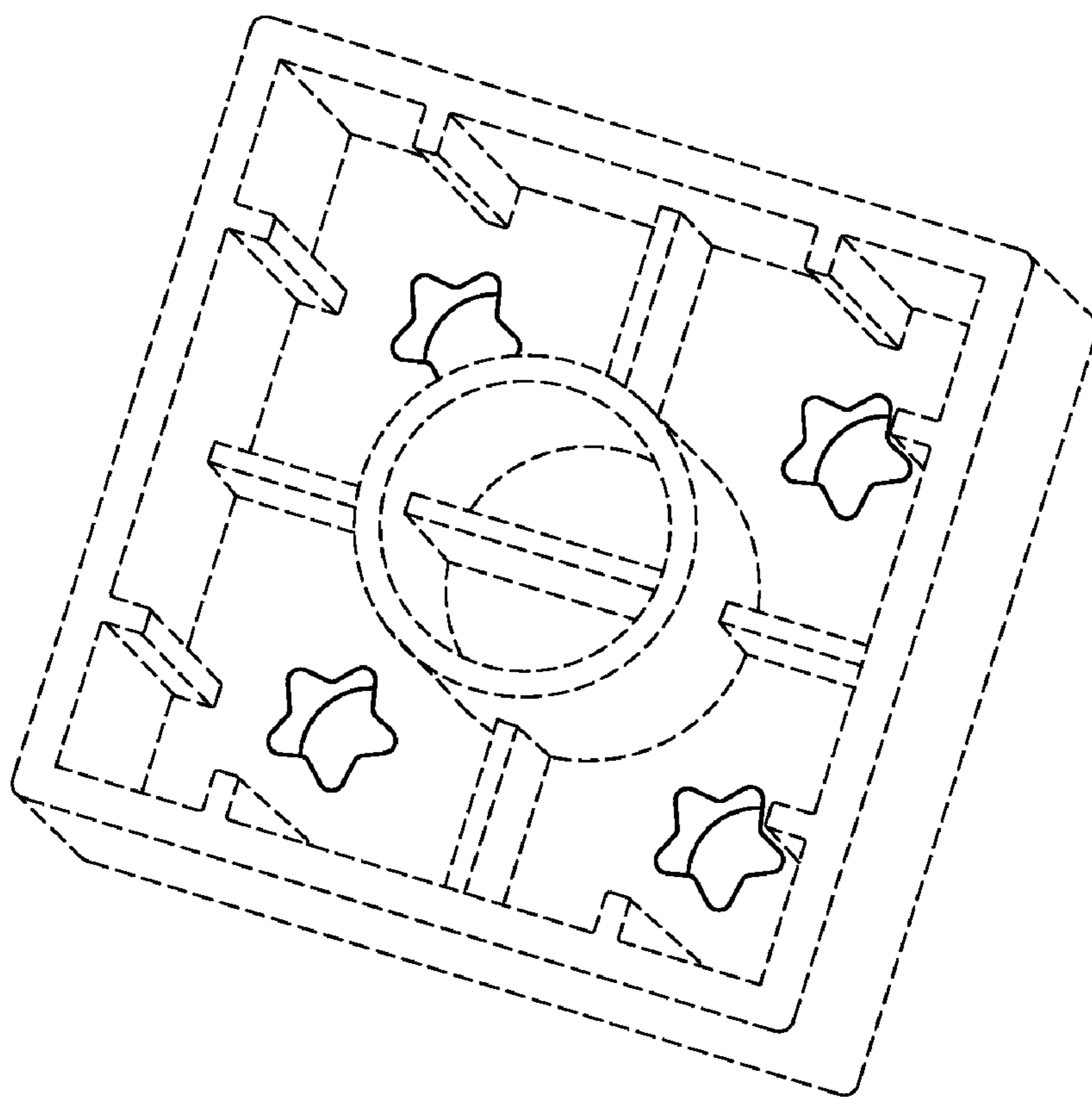


FIG. 8