



US00D668301S

(12) **United States Design Patent**
Mimlitch, III et al.

(10) **Patent No.:** **US D668,301 S**

(45) **Date of Patent:** **** Oct. 2, 2012**

(54) **WALL SECTION WITH GATE USED WITH A TOY CONSTRUCTION CELL**

Primary Examiner — Cynthia M Chin

(74) *Attorney, Agent, or Firm* — Adam K. Sacharoff

(75) Inventors: **Robert H. Mimlitch, III**, Rowlett, TX (US); **David A. Norman**, Greenville, TX (US); **Douglas Galletti**, Allen, TX (US); **Joel Carter**, Argyle, TX (US); **Gregory Lavender**, Rockwall, TX (US); **Gregory Needel**, Rockwall, TX (US); **Christopher Robert Troyak**, Plano, TX (US); **Jeffrey Russell Waegelin**, Rockwall, TX (US); **Brian Richard Delaney**, Rockwall, TX (US)

(57) **CLAIM**

The ornamental design for a wall section with gate used with a toy construction cell, as shown and described.

(73) Assignee: **Innovation First, Inc.**, Greenville, TX (US)

DESCRIPTION

(**) Term: **14 Years**

(21) Appl. No.: **29/399,271**

(22) Filed: **Aug. 11, 2011**

(51) **LOC (9) Cl.** **21-01**

(52) **U.S. Cl.** **D21/484; D21/565**

(58) **Field of Classification Search** D21/484, D21/485, 486, 487, 489–495, 498, 499, 500–505, D21/565, 566; 446/69, 85, 95, 102–128; 434/208, 259, 403; 273/153, 156, 160; D25/113, D25/114, 115, 118

See application file for complete search history.

FIG. 1 is a top perspective view of the wall section with gate used with a toy construction cell shown with the gate portion in a closed configuration;
FIG. 2 is a bottom perspective view of FIG. 1;
FIG. 3 is a front side view of FIG. 1;
FIG. 4 is a back side view of FIG. 1;
FIG. 5 is a right side view of FIG. 1;
FIG. 6 is a left side view of FIG. 1;
FIG. 7 is a top side view of FIG. 1;
FIG. 8 is a bottom side view of FIG. 1;
FIG. 9 is a top perspective view of the wall section with gate used with a toy construction cell shown with the gate portion in an opened configuration;
FIG. 10 is a bottom perspective view of FIG. 9;
FIG. 11 is a front side view of FIG. 9;
FIG. 12 is a back side view of FIG. 9;
FIG. 13 is a right side view of FIG. 9;
FIG. 14 is a left side view of FIG. 9;
FIG. 15 is a top side view of FIGS. 9; and,
FIG. 16 is a bottom side view of FIG. 9.

(56) **References Cited**

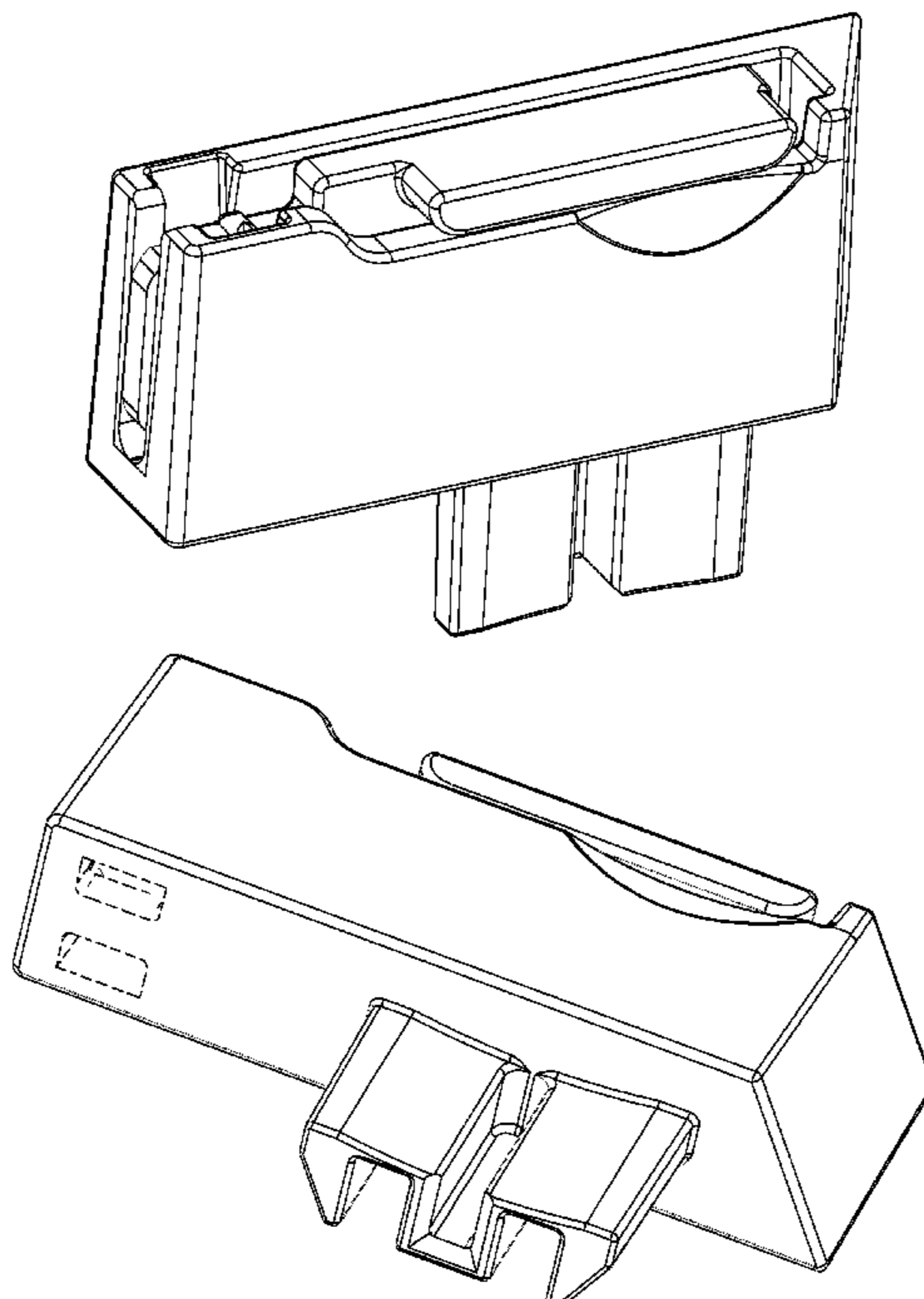
U.S. PATENT DOCUMENTS

D226,120 S * 1/1973 Ogsbury D21/491
4,822,315 A * 4/1989 Ben-Gal et al. 446/102
D380,791 S * 7/1997 Gabriel D21/491

(Continued)

The broken lines represent are for environmental purposes only and form no part of the claimed embodiments and design.

1 Claim, 16 Drawing Sheets



US D668,301 S

Page 2

U.S. PATENT DOCUMENTS

| | | | | | | | |
|--------------|---------|-------------------|---------|--------------|--------|----------------|---------|
| D384,989 S * | 10/1997 | Andersen | D21/491 | D618,736 S * | 6/2010 | Kossmann | D21/489 |
| D612,434 S * | 3/2010 | Christensen | D21/501 | D619,661 S * | 7/2010 | Kossmann | D21/489 |
| D616,504 S * | 5/2010 | Andersen | D21/491 | D652,462 S * | 1/2012 | Sun | D21/706 |
| D618,735 S * | 6/2010 | Kossmann | D21/489 | | | | |

* cited by examiner

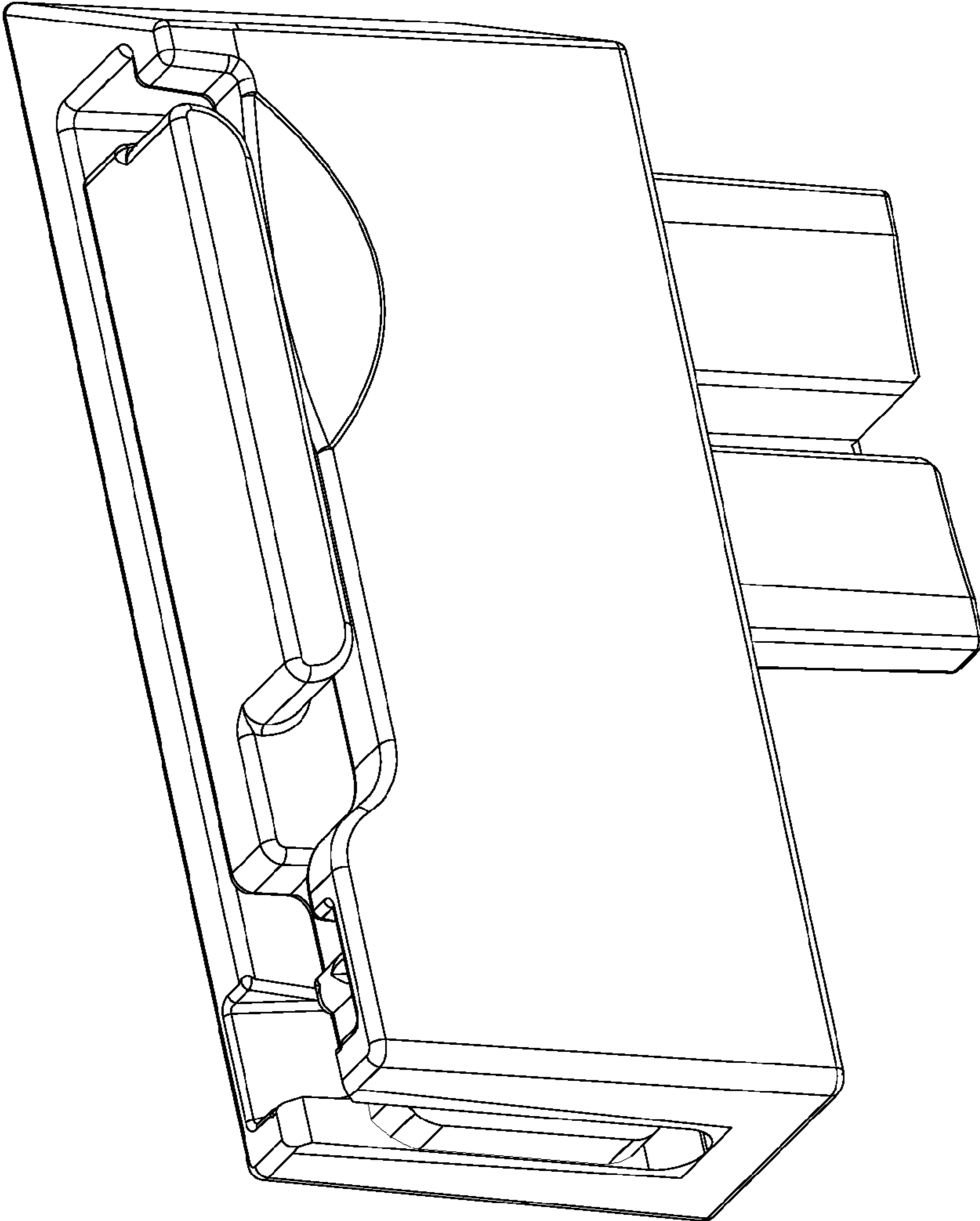


FIGURE 1

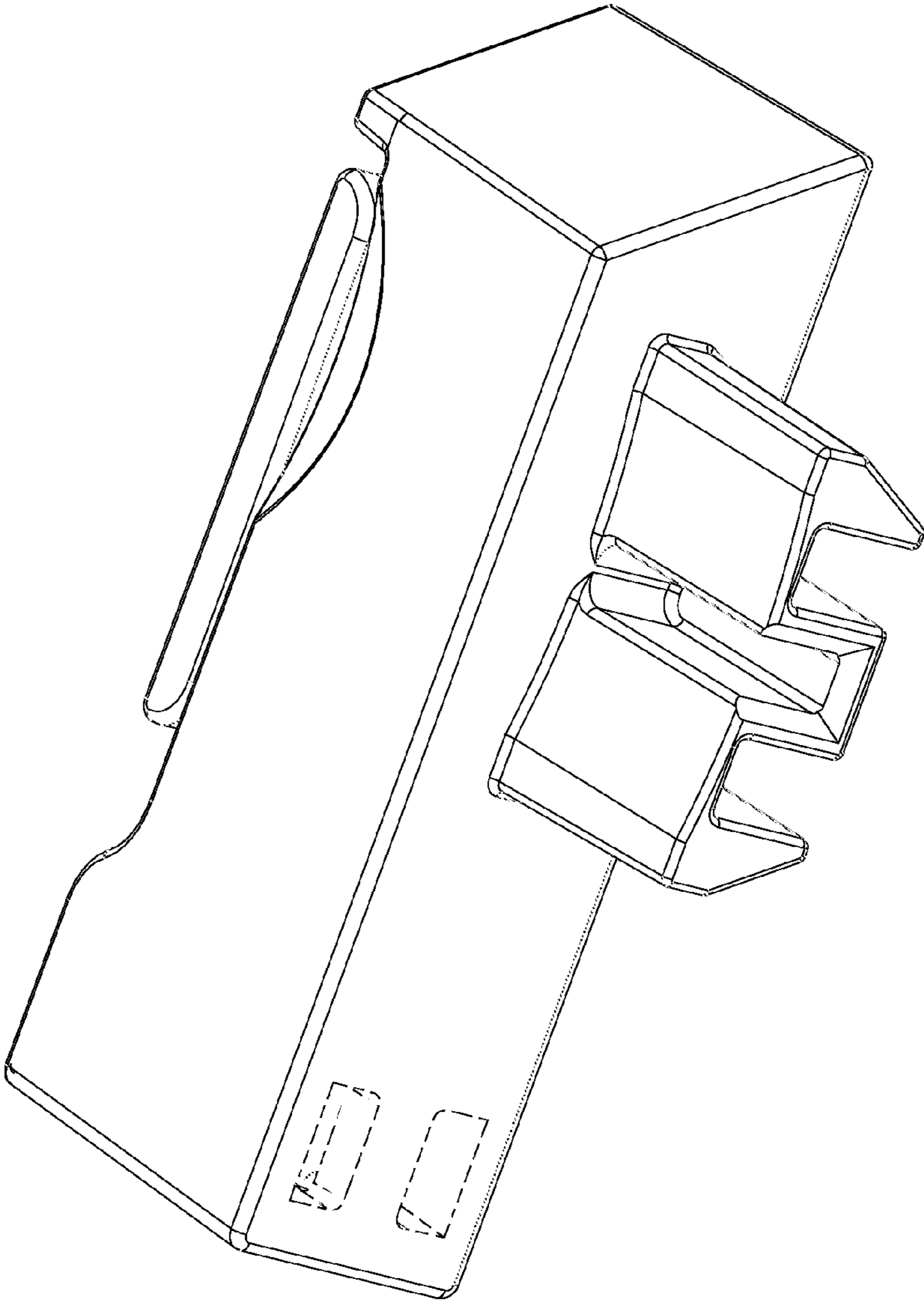


FIGURE 2

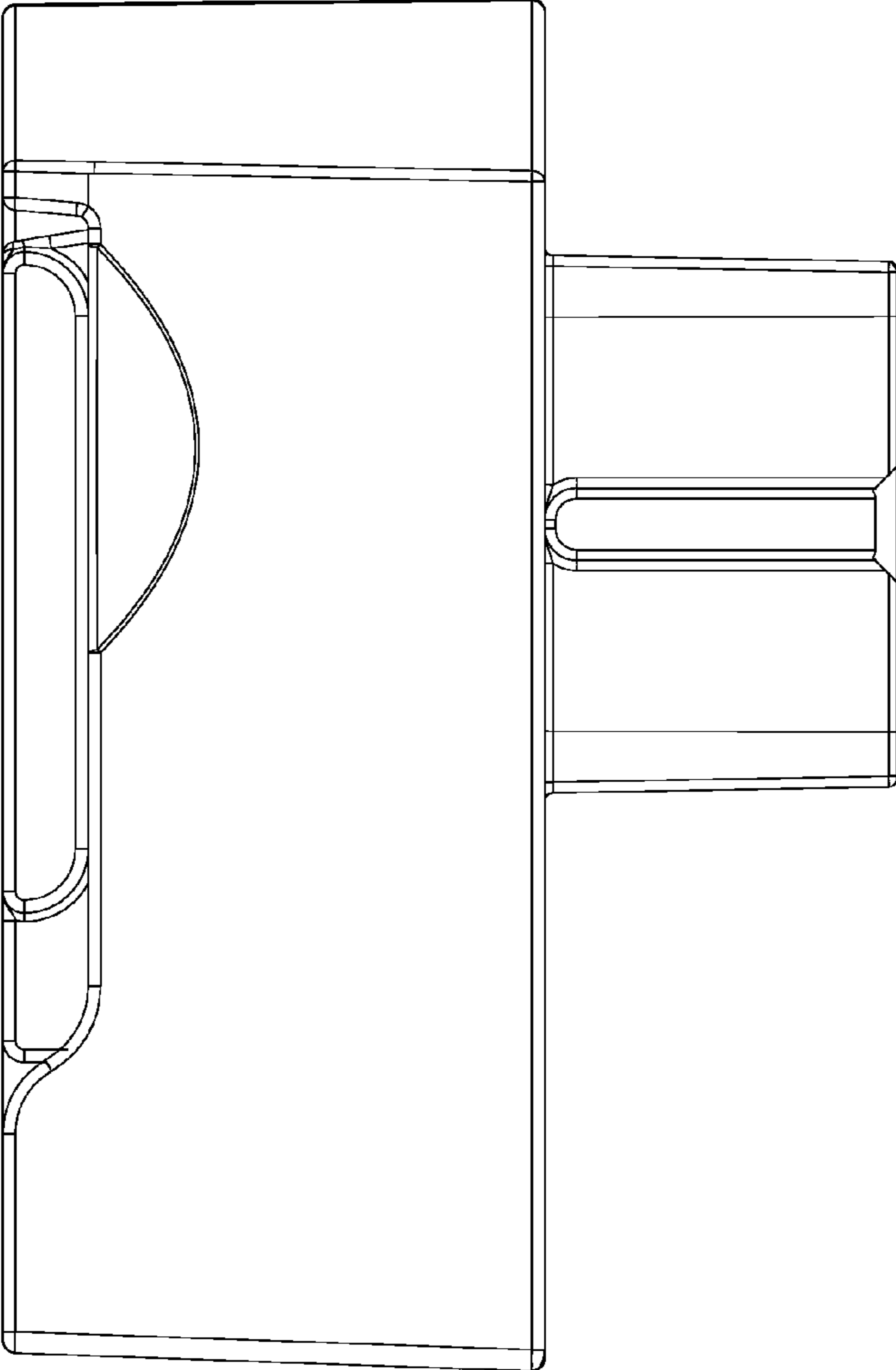


FIGURE 3

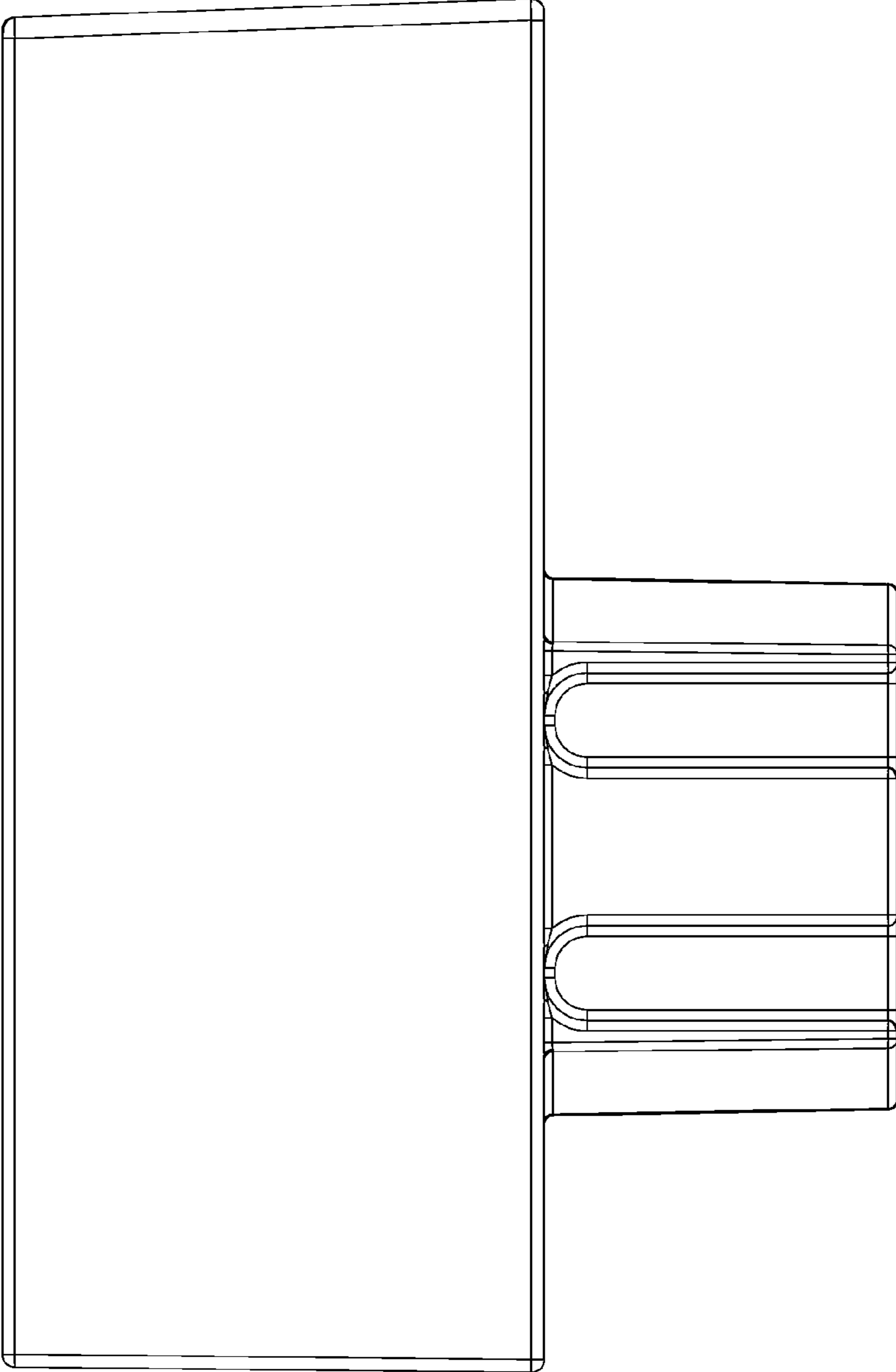


FIGURE 4

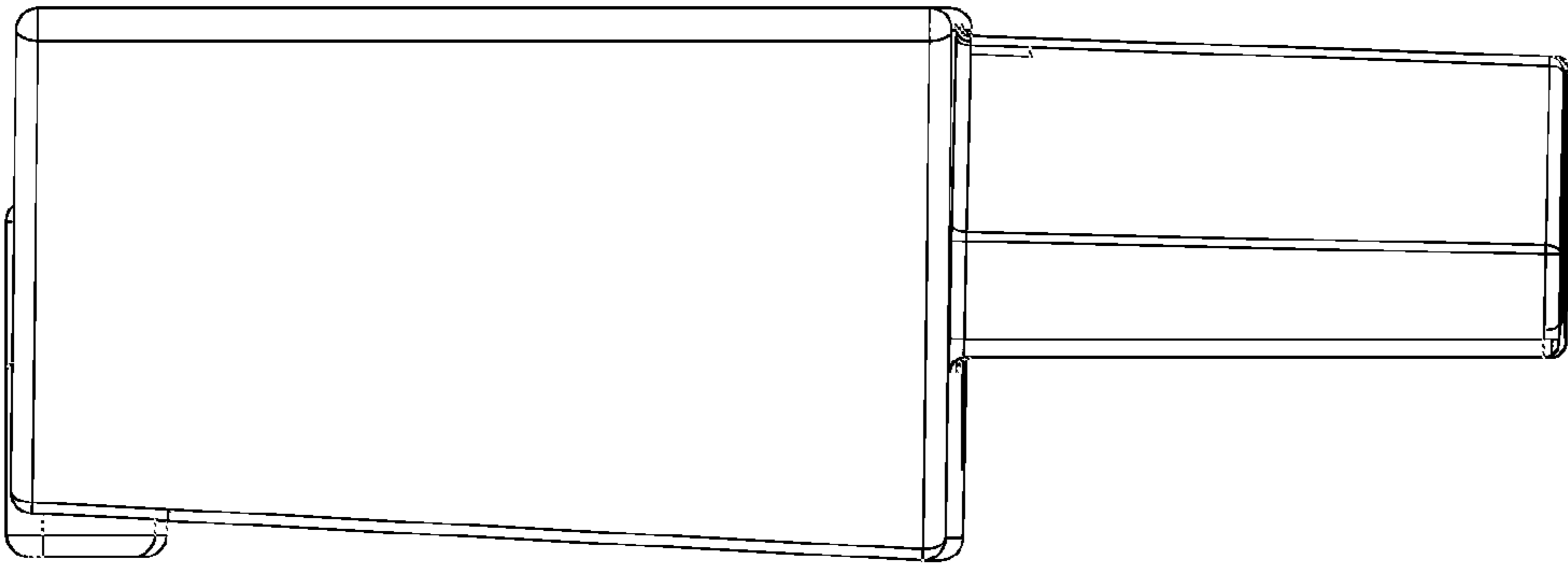


FIGURE 5

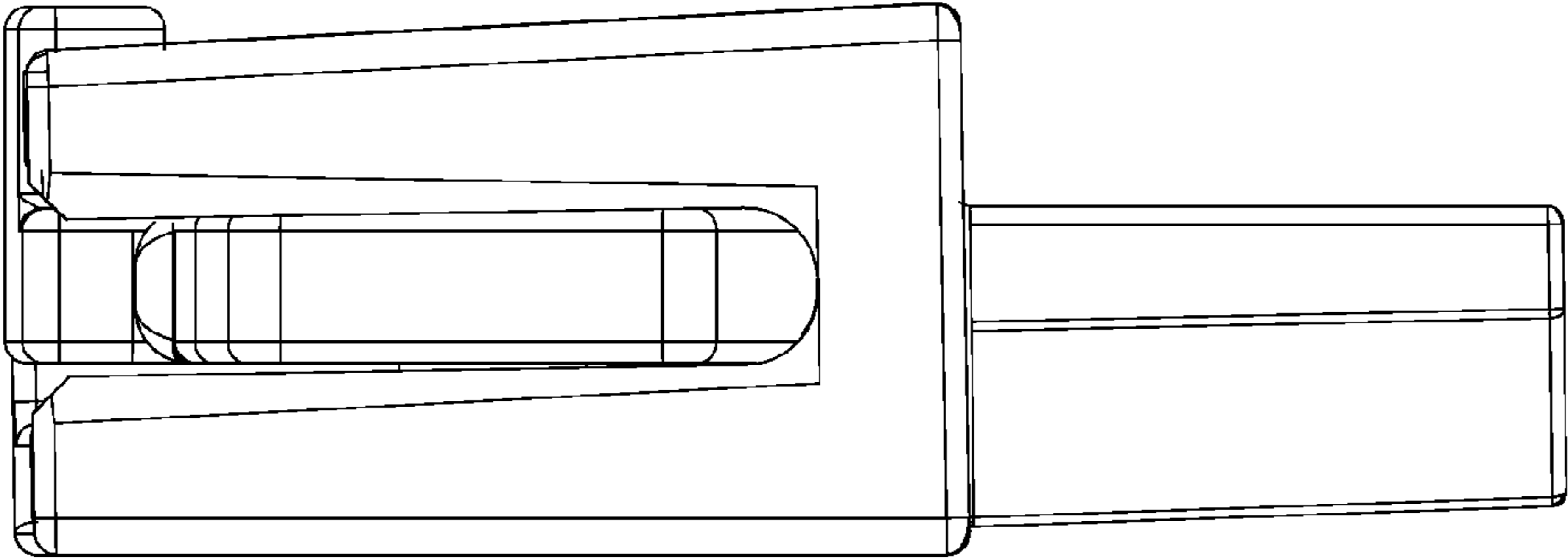


FIGURE 6

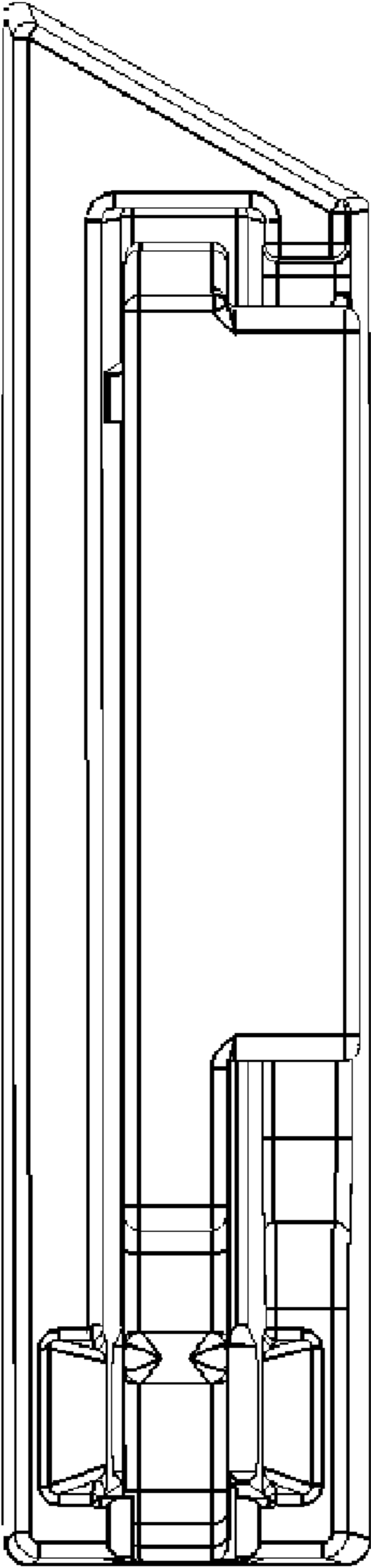


FIGURE 7

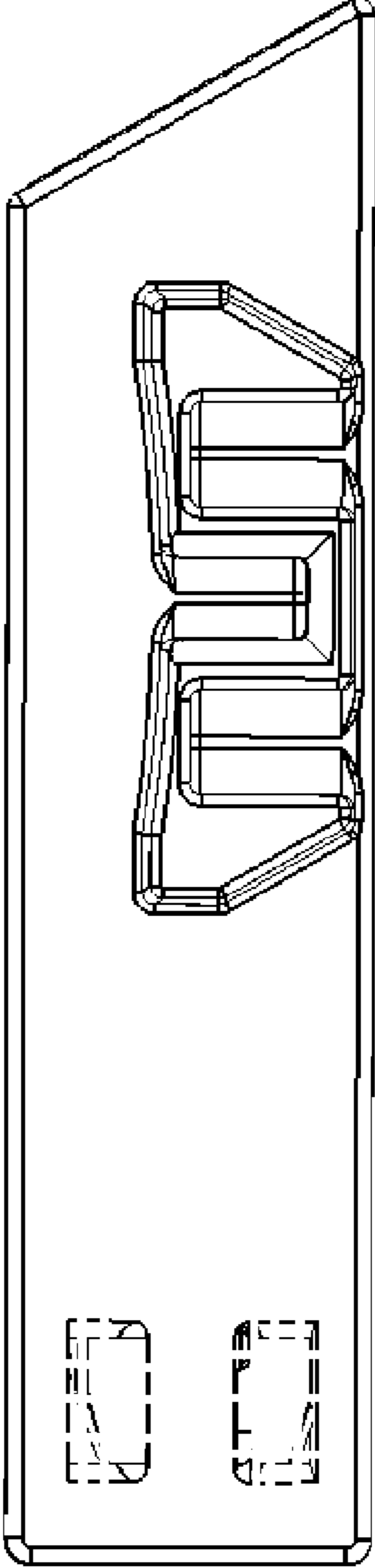


FIGURE 8

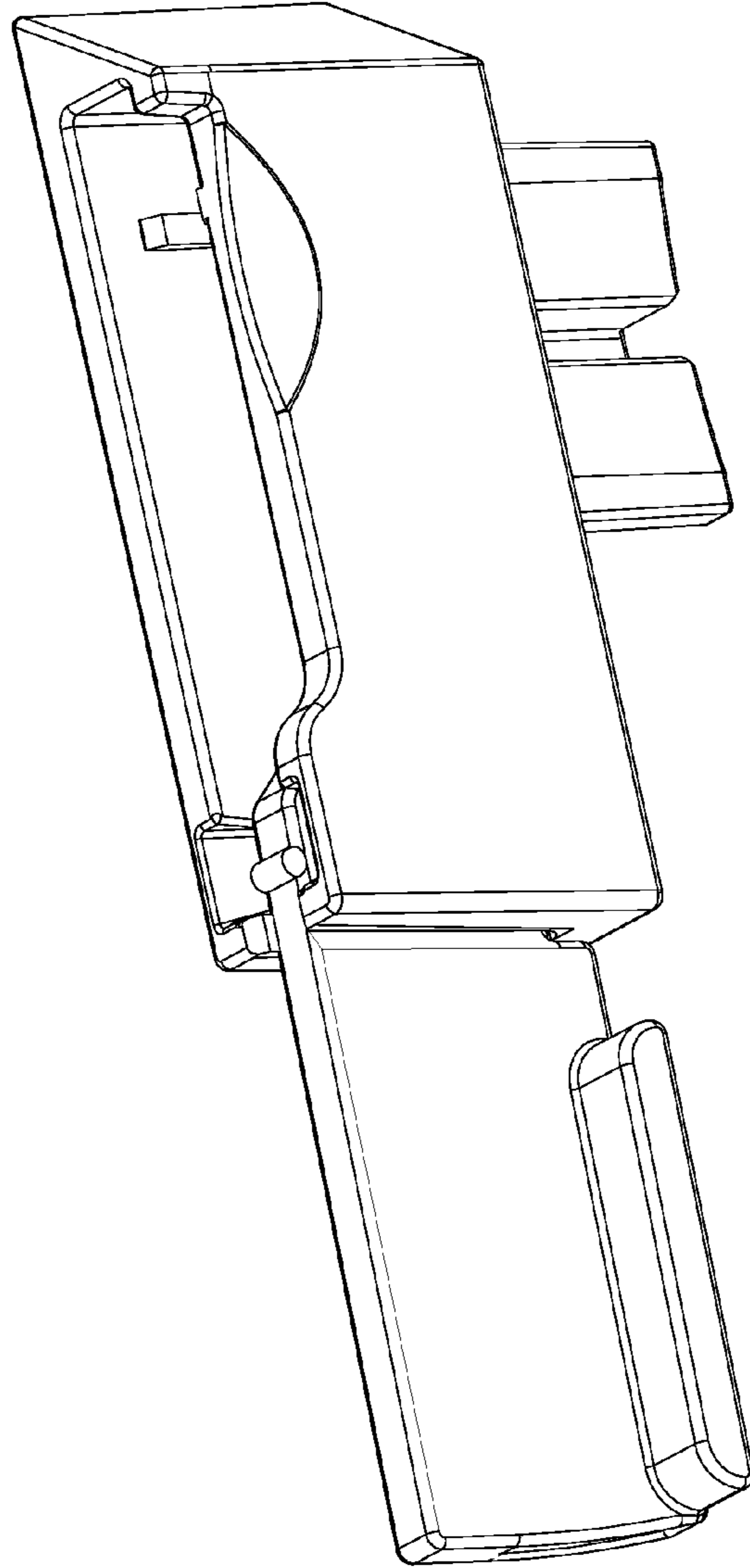


FIGURE 9

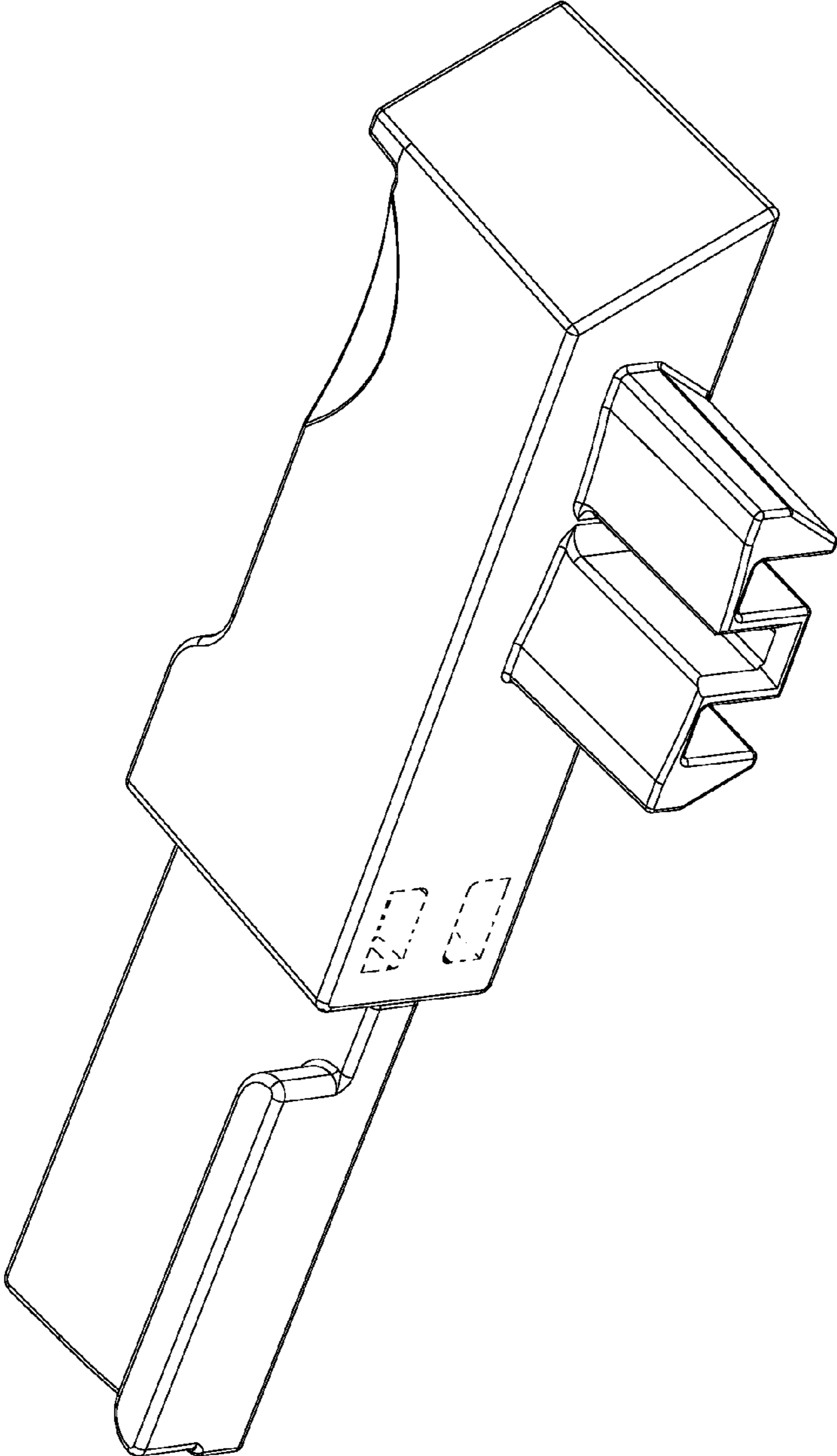


FIGURE 10

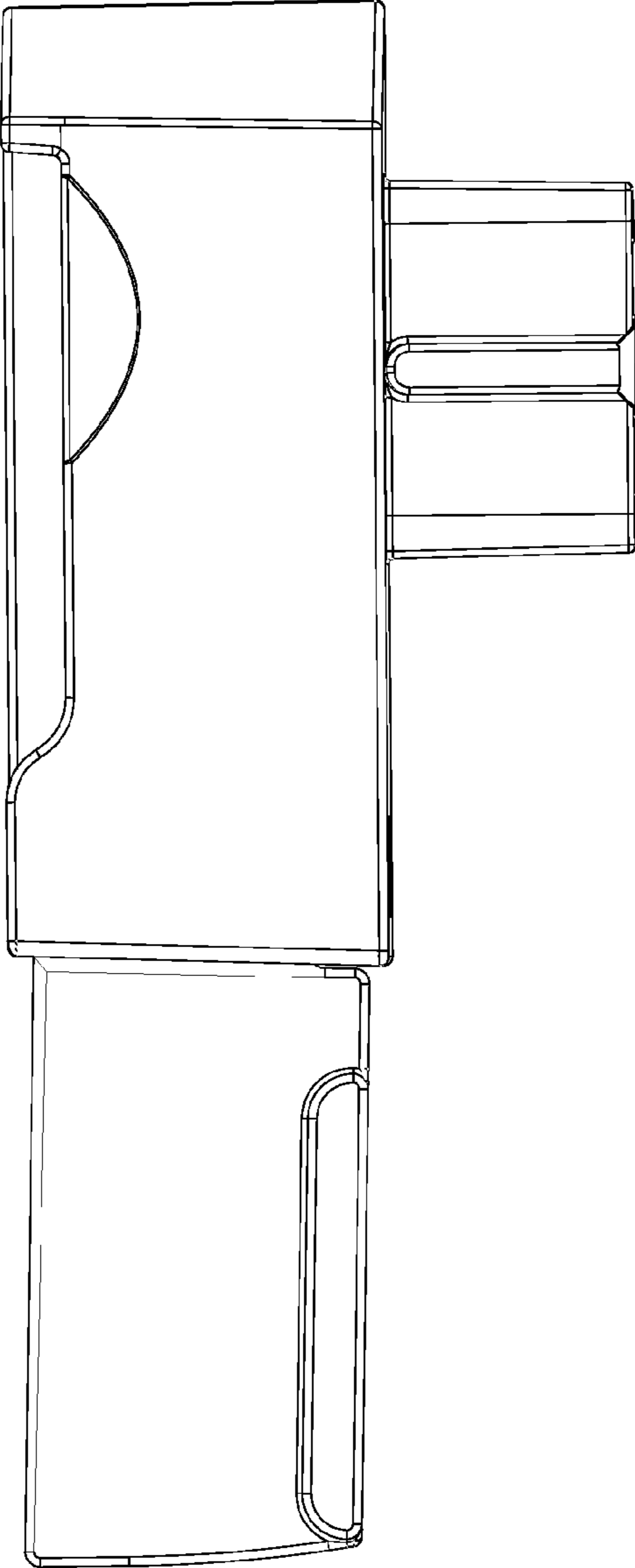


FIGURE 11

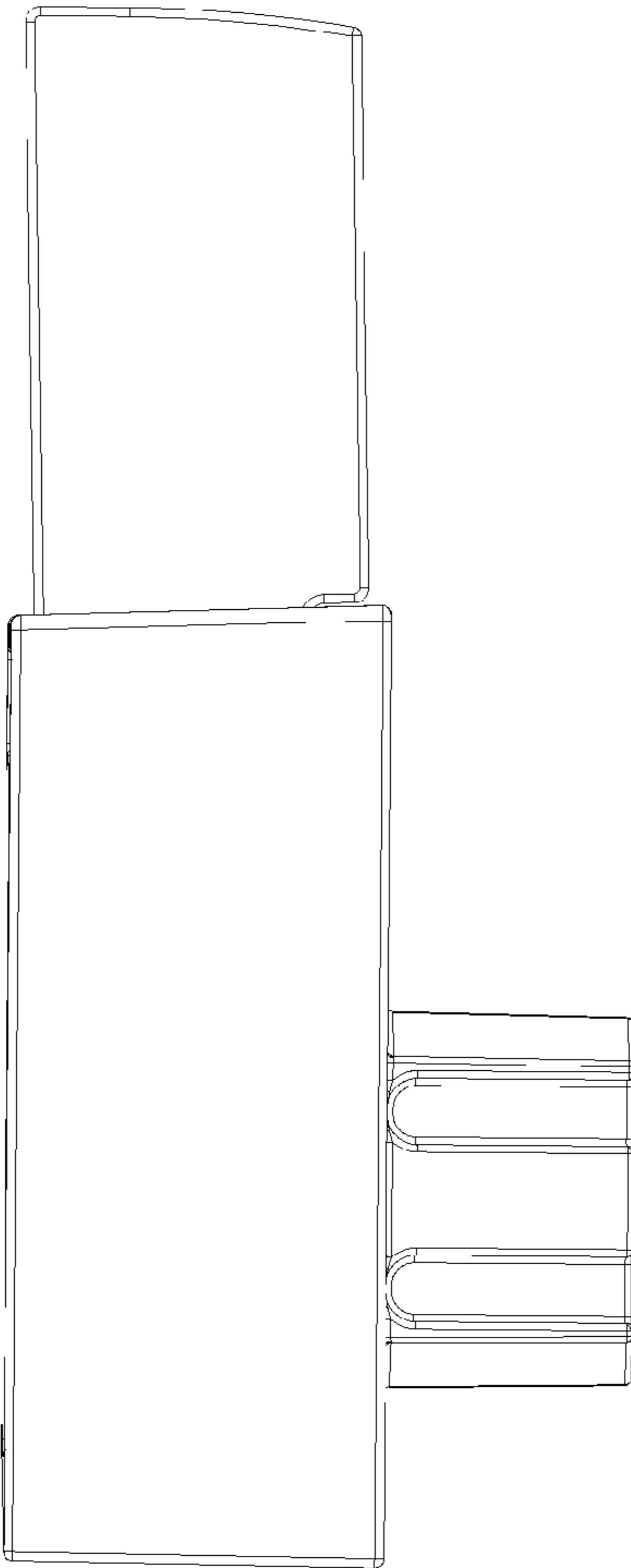


FIGURE 12

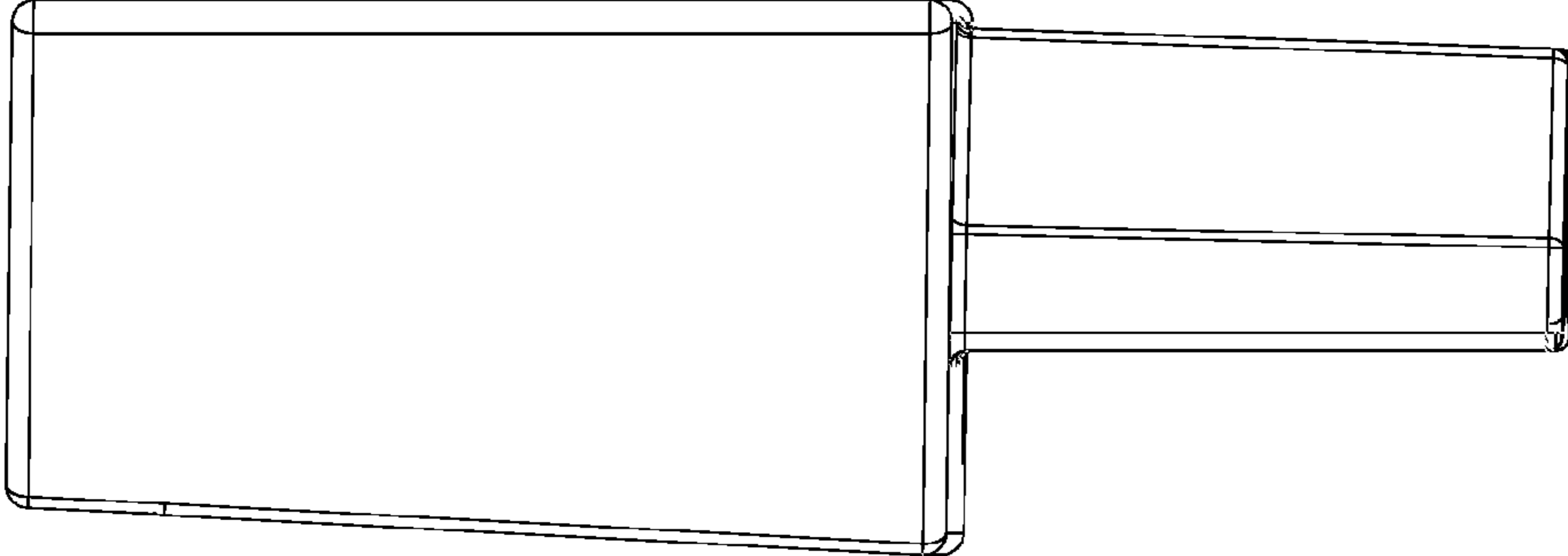


FIGURE 13

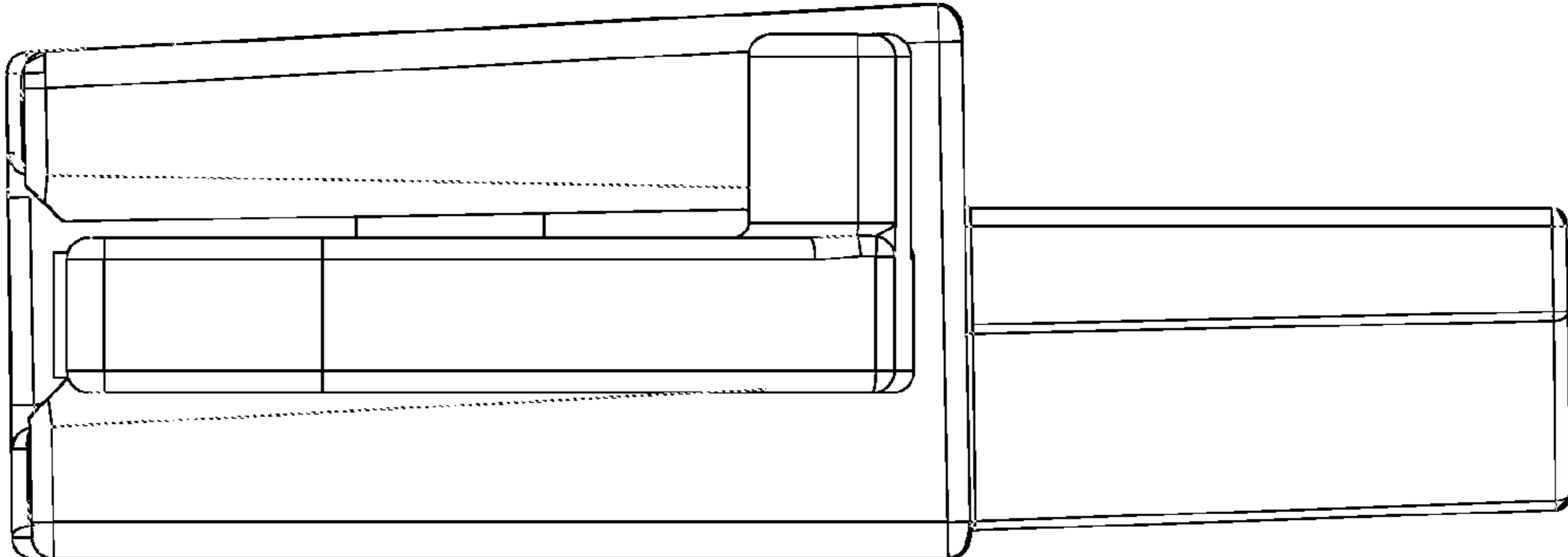


FIGURE 14

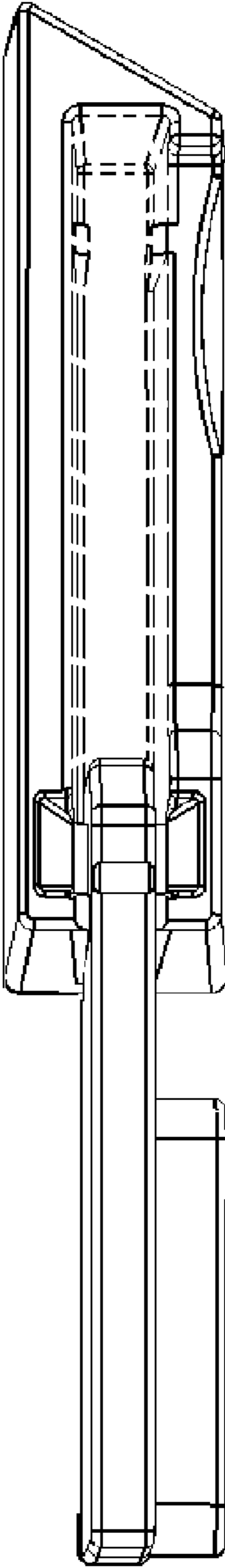


FIGURE 15

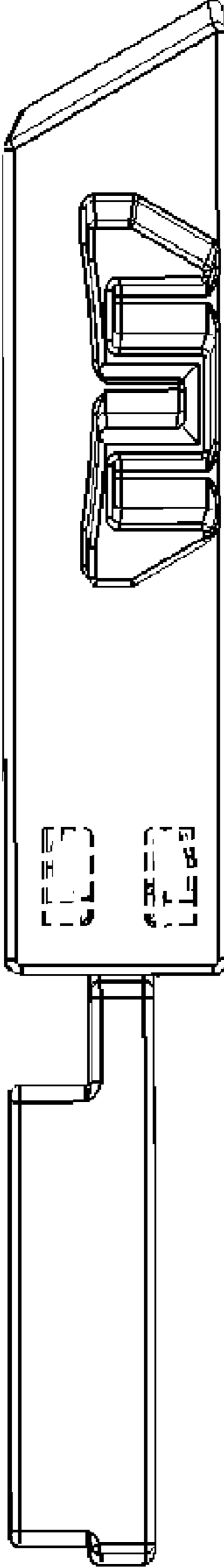


FIGURE 16