



US00D668300S

(12) **United States Design Patent**  
**Mimlitch, III et al.**

(10) **Patent No.:** **US D668,300 S**  
(45) **Date of Patent:** **\*\* Oct. 2, 2012**

(54) **WALL SECTION USED WITH A TOY  
CONSTRUCTION CELL COMPONENT**

(75) Inventors: **Robert H. Mimlitch, III**, Rowlett, TX  
(US); **David A. Norman**, Greenville, TX  
(US); **Douglas Galletti**, Allen, TX (US);  
**Joel Carter**, Argyle, TX (US); **Gregory  
Lavender**, Rockwall, TX (US); **Gregory  
Needel**, Rockwall, TX (US);  
**Christopher Robert Troyak**, Plano, TX  
(US); **Jeffrey Russell Waegelin**,  
Rockwall, TX (US); **Brian Richard  
Delaney**, Rockwall, TX (US)

(73) Assignee: **Innovation First, Inc.**, Greenville, TX  
(US)

(\*\*) Term: **14 Years**

(21) Appl. No.: **29/399,270**

(22) Filed: **Aug. 11, 2011**

(51) **LOC (9) Cl.** ..... **21-01**

(52) **U.S. Cl.** ..... **D21/484**

(58) **Field of Classification Search** ..... D21/484,  
D21/485, 486, 487, 489-495, 498, 499, 500-505,  
D21/565, 566; 446/69, 85, 95, 102-128;  
434/208, 259, 403; 273/153, 156, 160; D25/113,  
D25/114, 115, 118

See application file for complete search history.

(56) **References Cited**

U.S. PATENT DOCUMENTS

D226,120	S	*	1/1973	Ogsbury	.....	D21/491
4,822,315	A	*	4/1989	Ben-Gal et al.	.....	446/102
D380,791	S	*	7/1997	Gabriel	.....	D21/491
D384,989	S	*	10/1997	Andersen	.....	D21/491
D612,434	S	*	3/2010	Christensen	.....	D21/501
D616,504	S	*	5/2010	Andersen	.....	D21/491
D618,735	S	*	6/2010	Kossmann	.....	D21/489
D618,736	S	*	6/2010	Kossmann	.....	D21/489
D619,661	S	*	7/2010	Kossmann	.....	D21/489
D652,462	S	*	1/2012	Sun	.....	D21/706

\* cited by examiner

*Primary Examiner* — Cynthia M Chin

(74) *Attorney, Agent, or Firm* — Adam K. Sacharoff

(57) **CLAIM**

The ornamental design for a wall section used with a toy construction cell component, as shown and described.

**DESCRIPTION**

FIG. 1 is a top perspective view showing a wall section used with a toy construction cell component;  
FIG. 2 is a bottom perspective view of FIG. 1;  
FIG. 3 is a front side view of FIG. 1;  
FIG. 4 is a back side view of FIG. 1;  
FIG. 5 is a bottom side view of FIG. 1;  
FIG. 6 is a top side view of FIG. 1;  
FIG. 7 is a right side view of FIG. 1; and,  
FIG. 8 is a left side view of FIG. 1.

The broken lines represent are for environmental purposes only and form no part of the claimed embodiments and design.

**1 Claim, 8 Drawing Sheets**

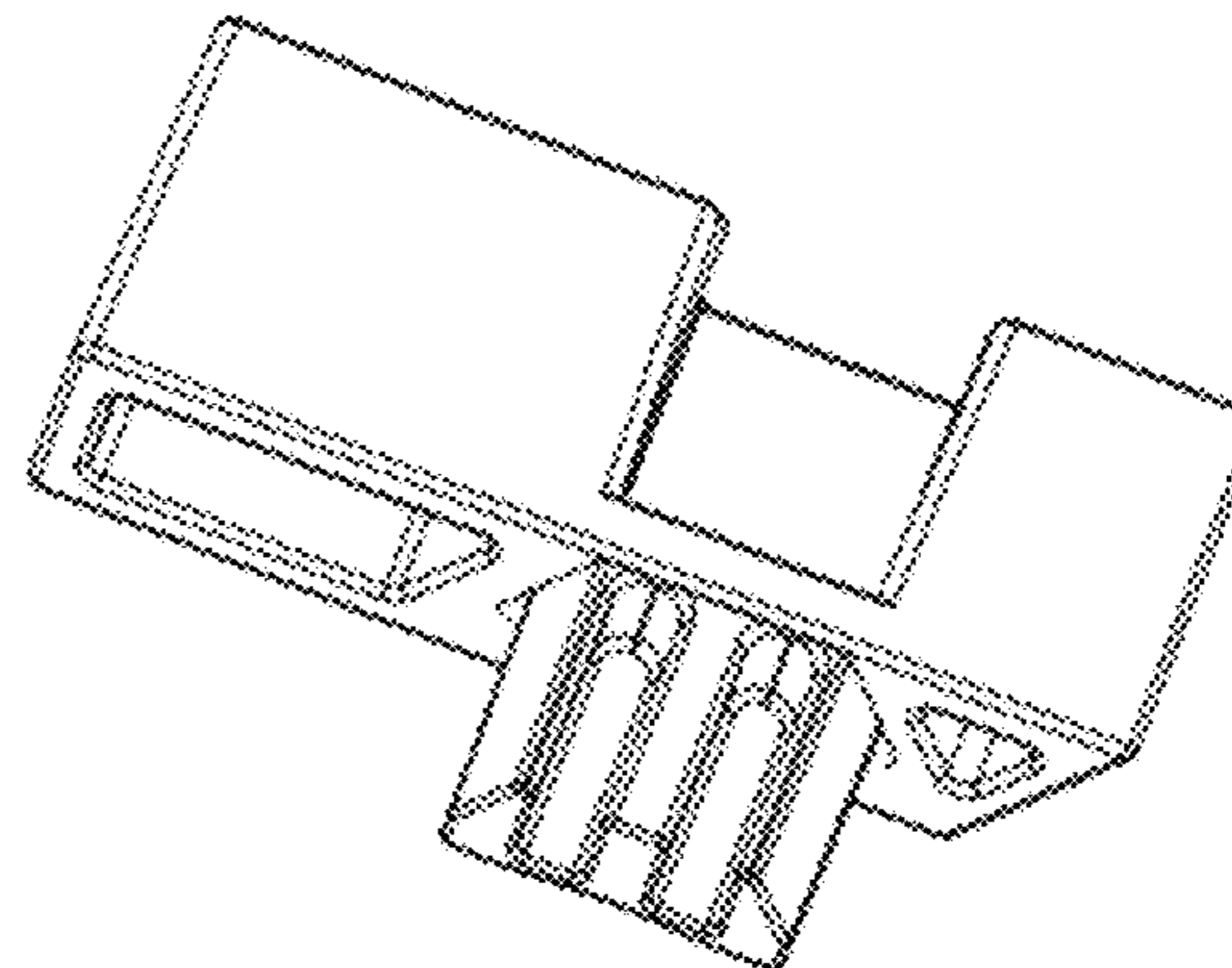
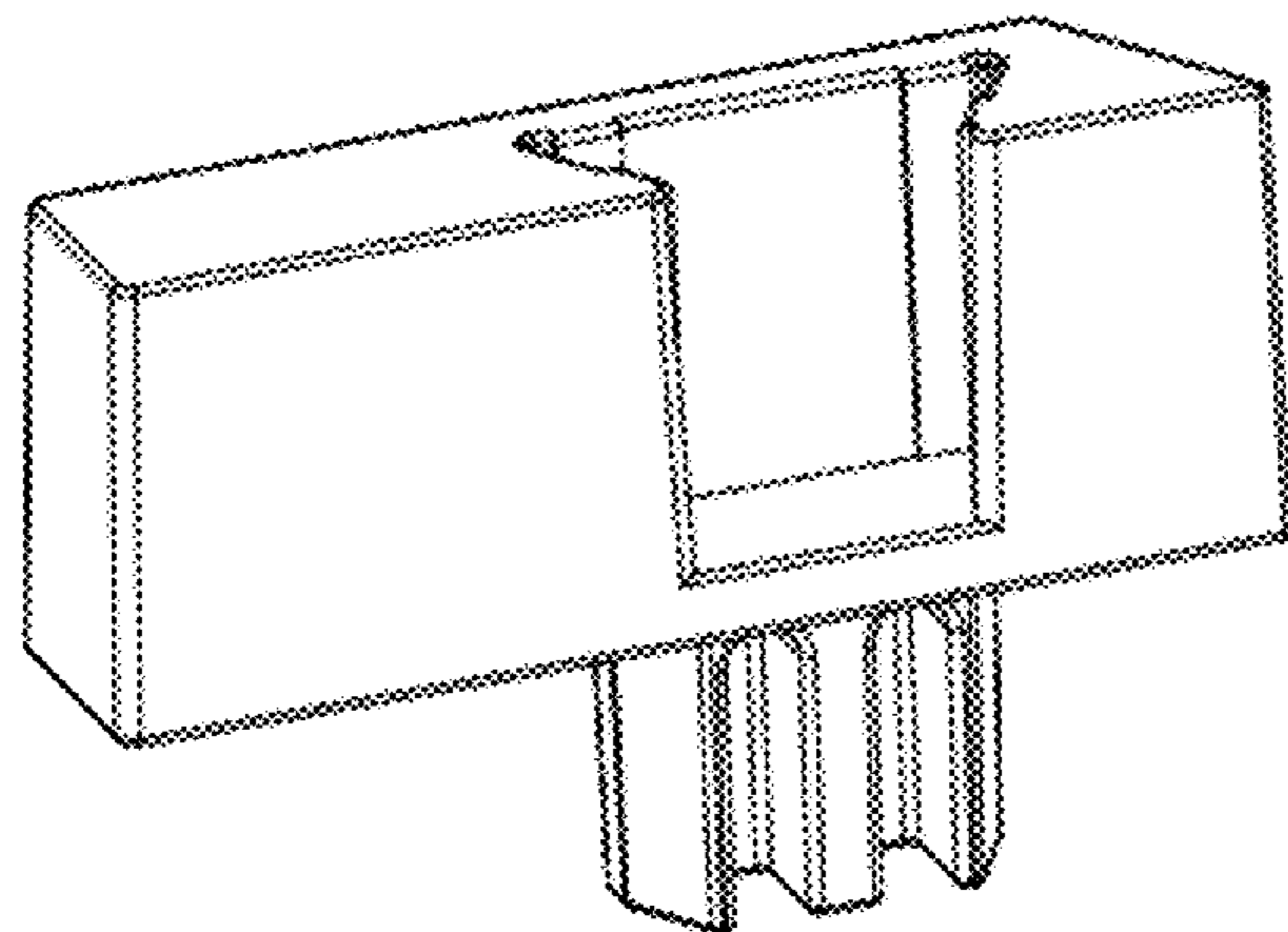
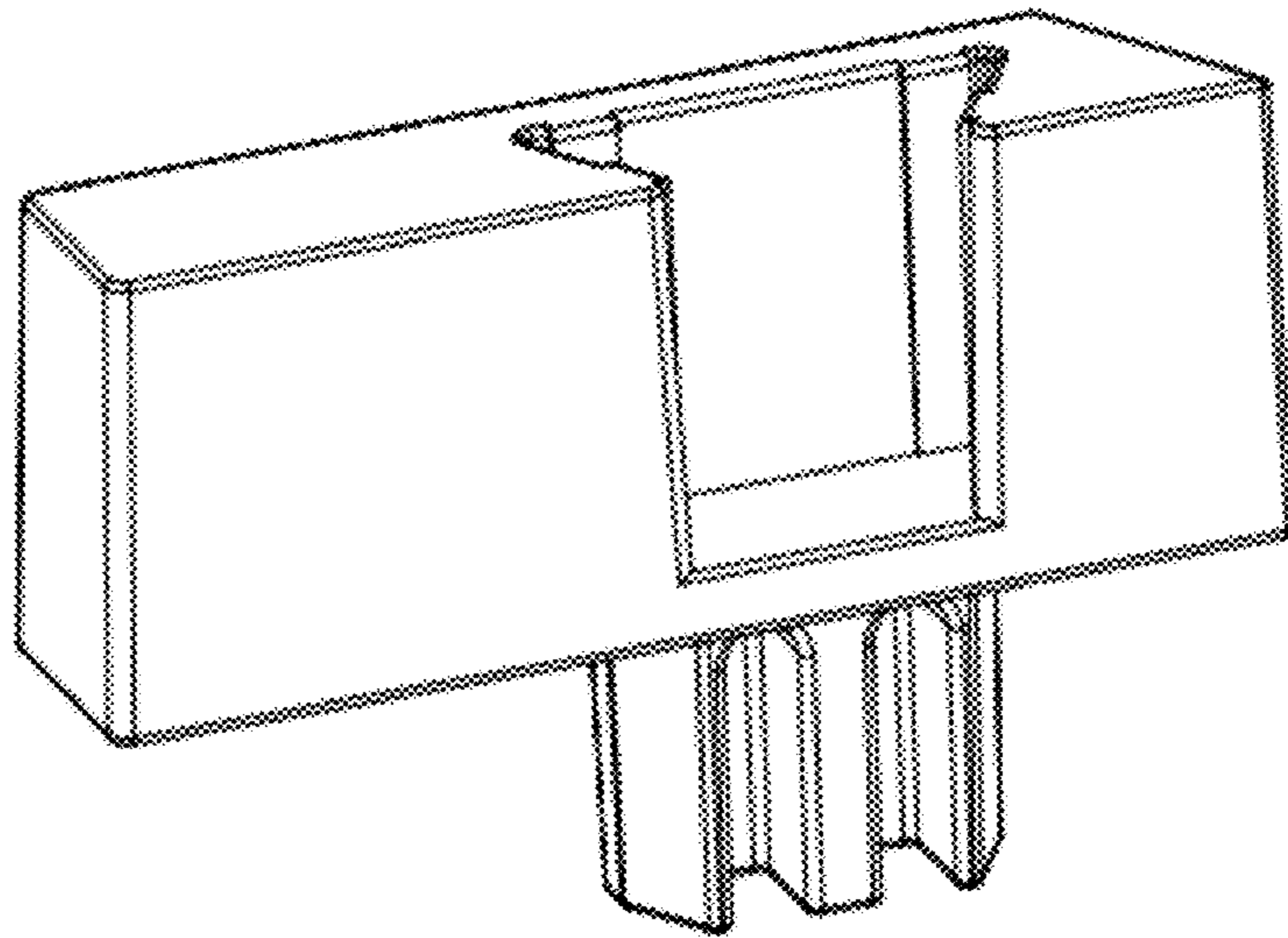


FIGURE 1



**FIGURE 2**

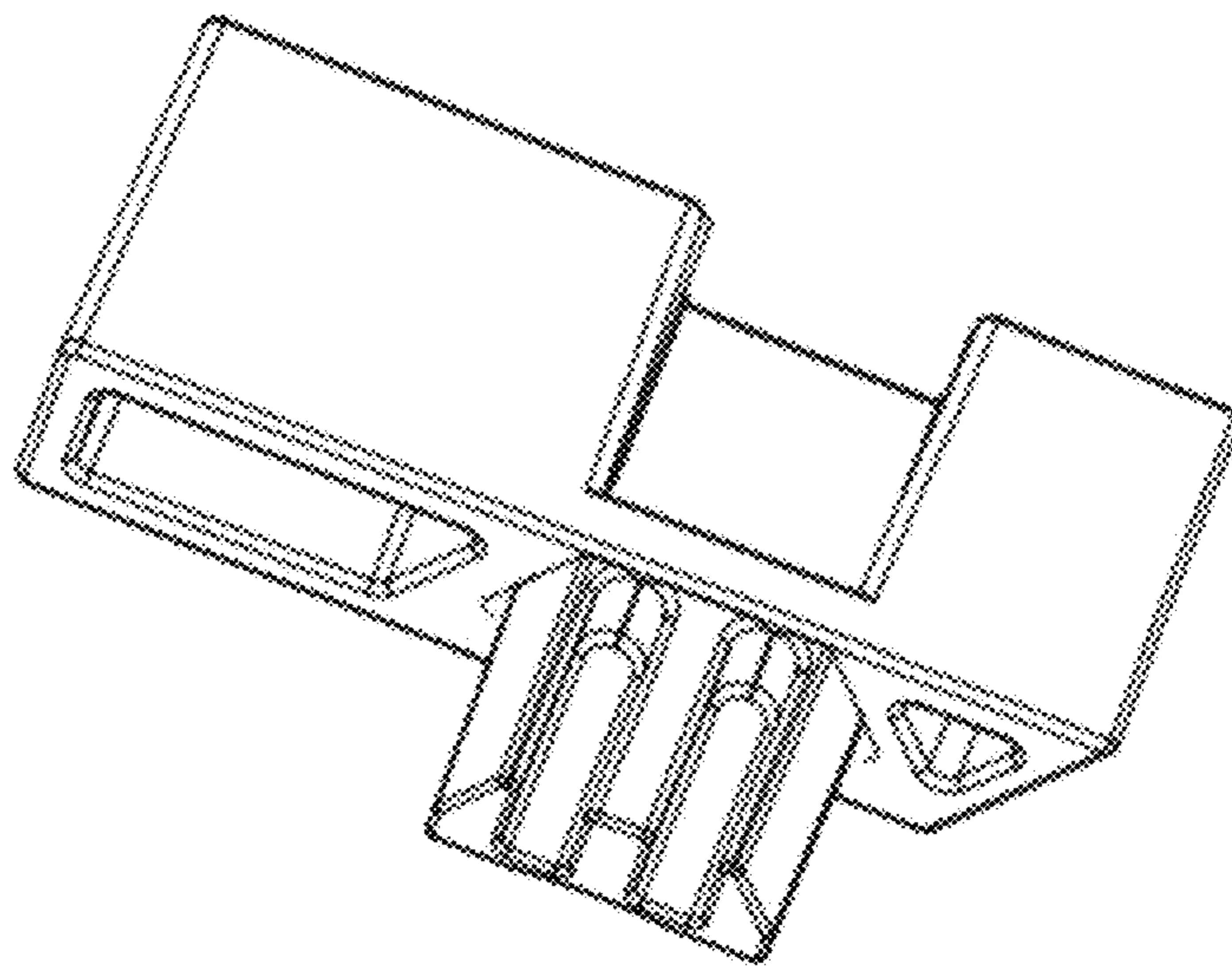


FIGURE 3

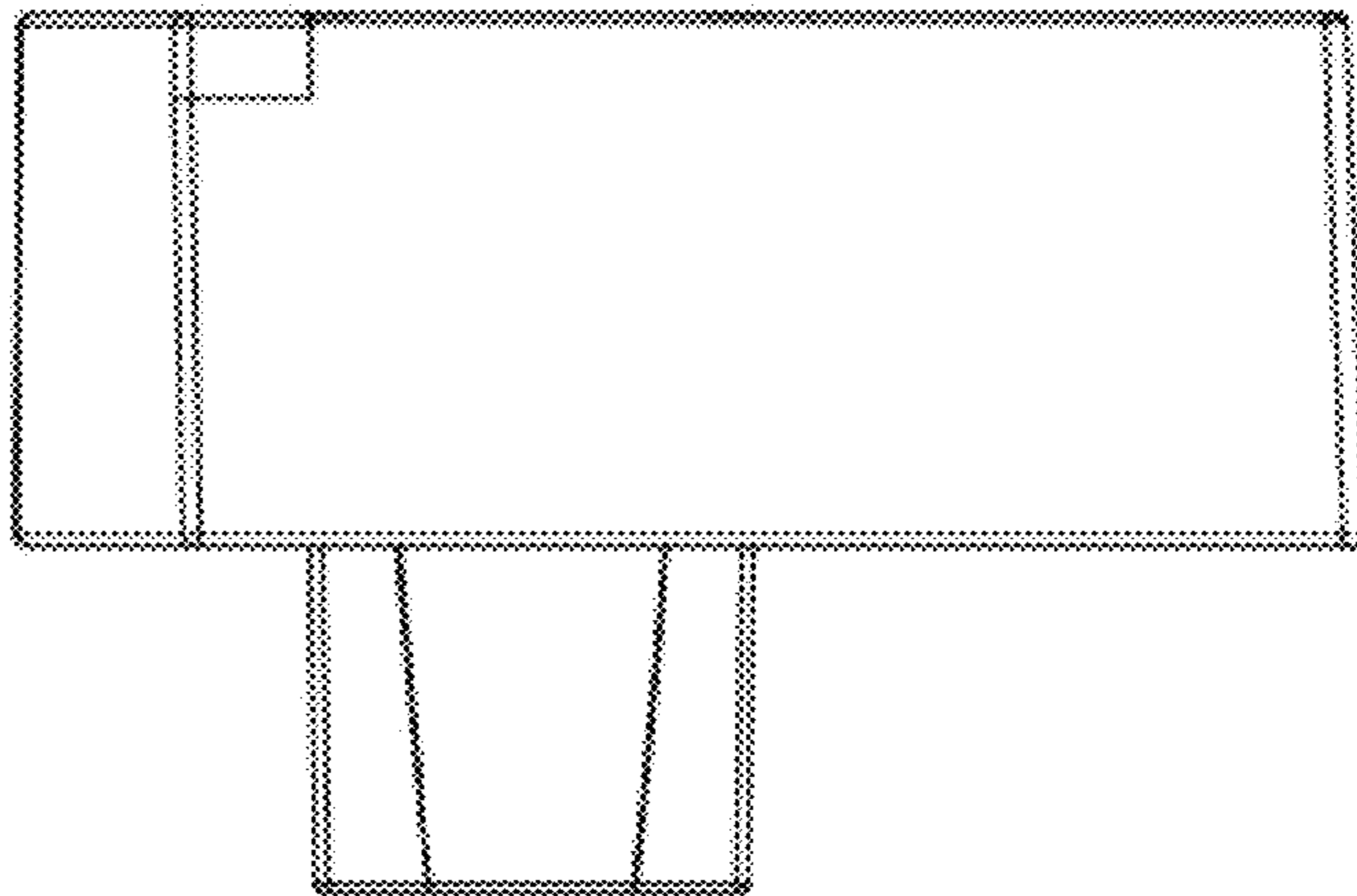
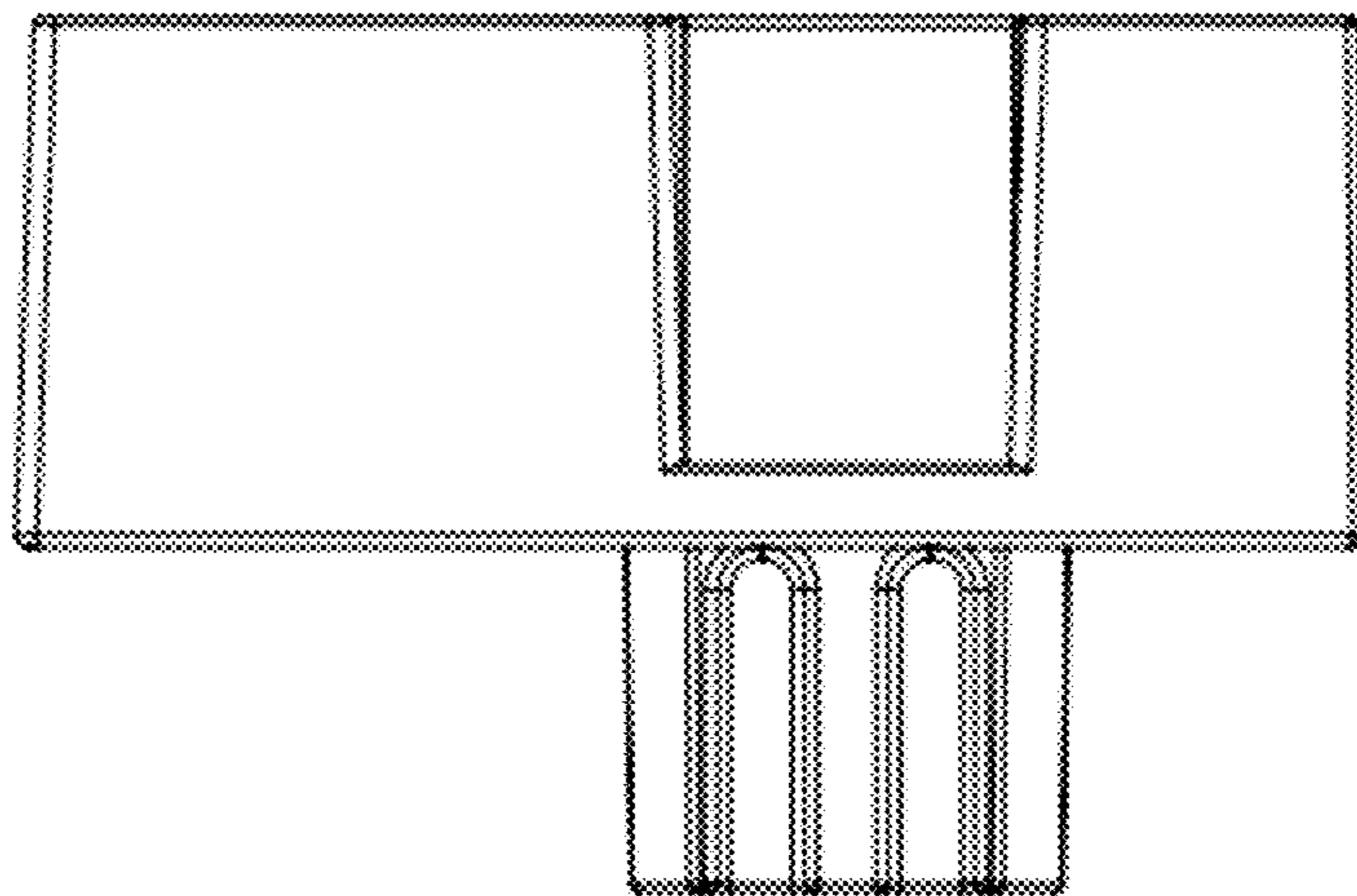


FIGURE 4

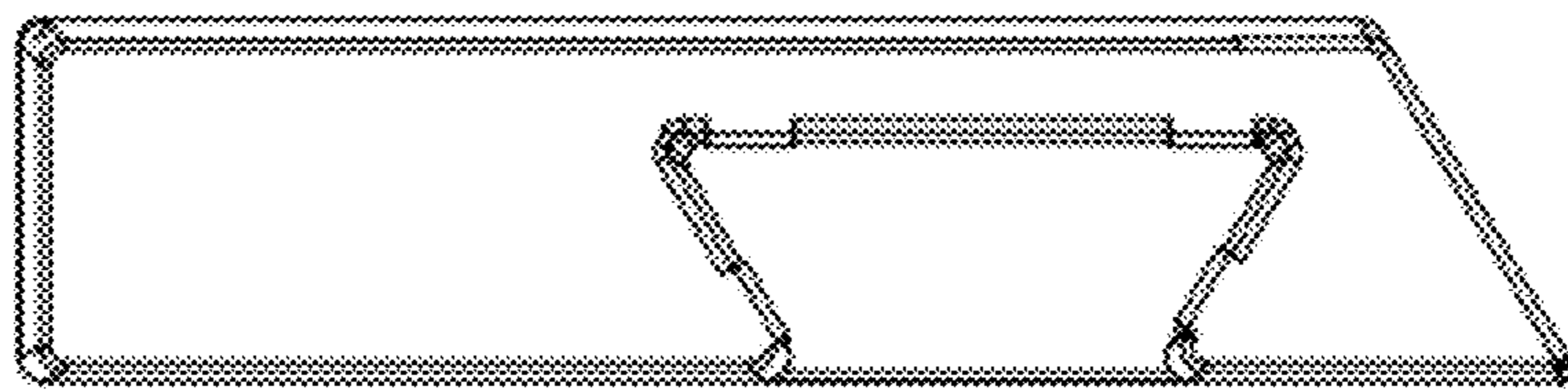




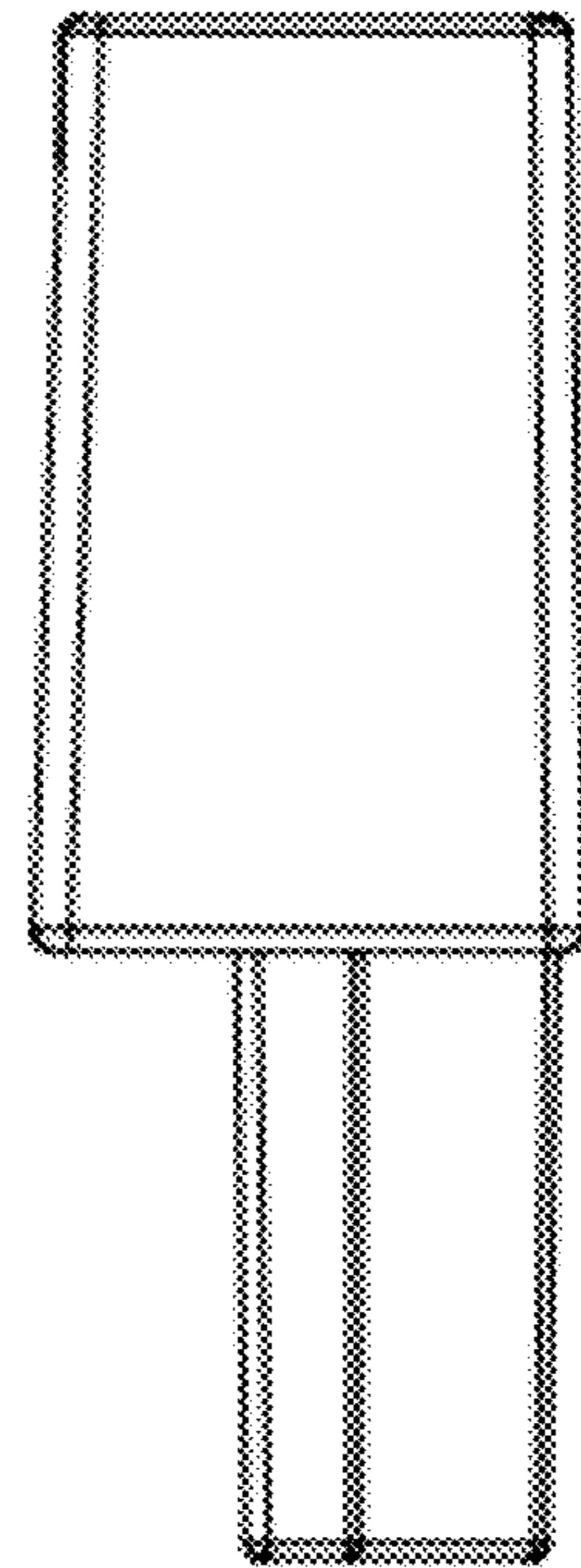
**FIGURE 5**



FIGURE 6



**FIGURE 7**





**FIGURE 8**

