

US00D668298S

(12) **United States Design Patent**
Rashid

(10) **Patent No.:** **US D668,298 S**

(45) **Date of Patent:** **** *Oct. 2, 2012**

(54) **SHEET DISPENSER AND WRITING INSTRUMENT HOLDER**

(75) Inventor: **Karim Rashid**, New York, NY (US)

(73) Assignee: **3M Innovative Properties Company**,
St. Paul, MN (US)

(*) Notice: This patent is subject to a terminal disclaimer.

(**) Term: **14 Years**

(21) Appl. No.: **29/394,951**

(22) Filed: **Jun. 23, 2011**

(51) **LOC (9) Cl.** **19-06**

(52) **U.S. Cl.** **D19/86**

(58) **Field of Classification Search** D3/201;
D6/512; D19/75, 77-92, 99, 100; 206/215,
206/435, 449, 558; 211/10, 11, 45, 50, 55,
211/69.1-69.9

See application file for complete search history.

(56) **References Cited**

U.S. PATENT DOCUMENTS

D282,380	S	*	1/1986	King	D19/75
4,921,127	A	*	5/1990	Windorski	221/45
D310,688	S	*	9/1990	Windorski	D19/86
D316,112	S	*	4/1991	Windorski	D19/86
D325,395	S	*	4/1992	Tu	D19/75
D337,177	S	*	7/1993	Tiramani et al.	D28/76
D339,823	S	*	9/1993	Evenson	D19/75
D342,096	S	*	12/1993	Cornell	D19/86
D486,865	S	*	2/2004	Ivey	D19/86

D498,501	S	*	11/2004	Stoddard et al.	D19/86
D509,637	S	*	9/2005	Wozniak	D99/5
D526,571	S	*	8/2006	Terrasi	D9/629
D548,970	S	*	8/2007	Huang	D3/294
D564,214	S	*	3/2008	Huang	D3/201
D570,416	S	*	6/2008	Hackenberg et al.	D19/83
D629,202	S	*	12/2010	Wai	D3/294
D633,148	S	*	2/2011	Nash	D19/86
D638,880	S		5/2011	Rashid		
D643,879	S		8/2011	Rashid		
D649,341	S	*	11/2011	Long et al.	D3/201

* cited by examiner

Primary Examiner — Elizabeth Albert

(74) *Attorney, Agent, or Firm* — Robert H. Jordan

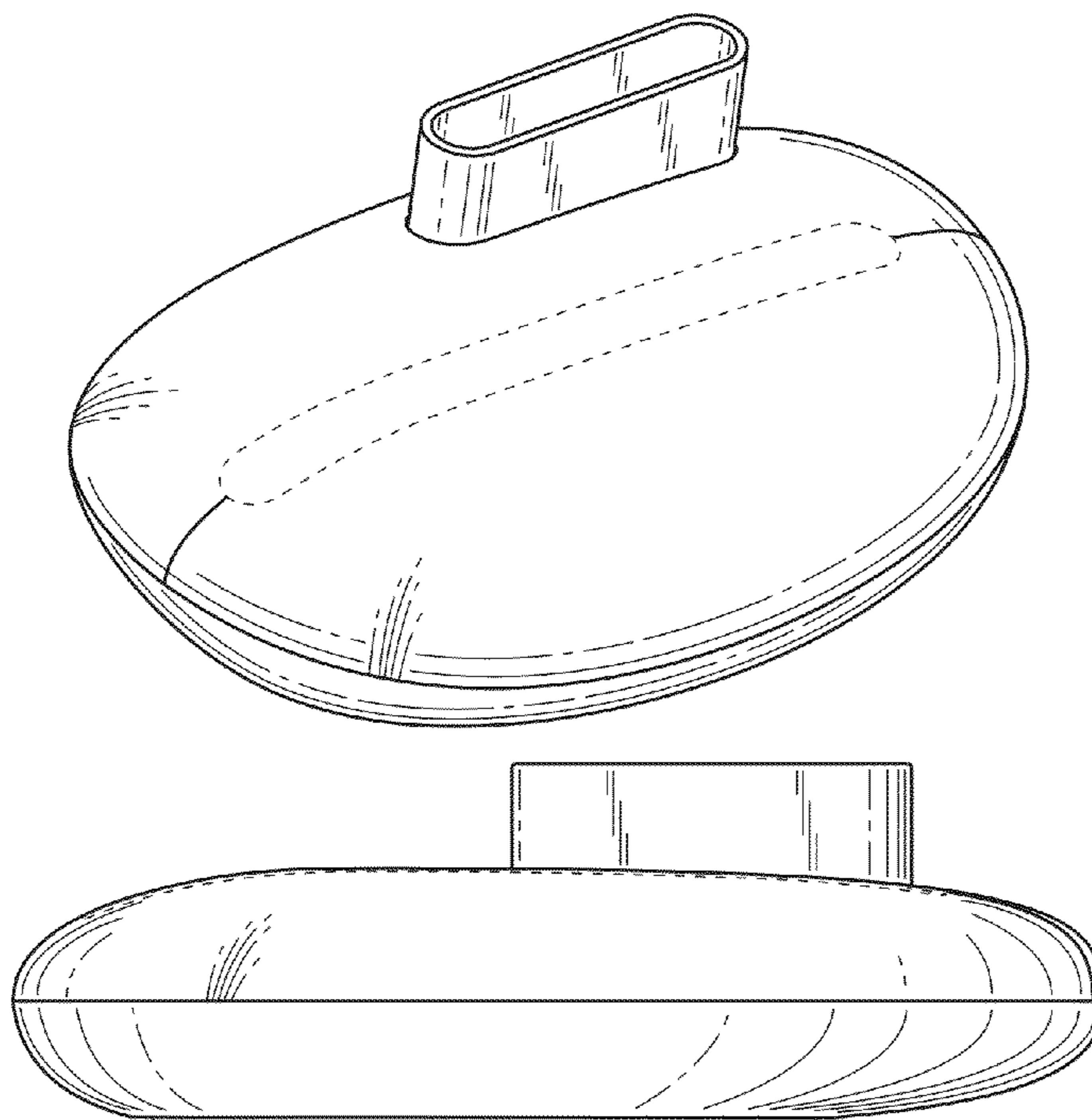
(57) **CLAIM**

The ornamental design for a sheet dispenser and writing instrument holder, as shown and described.

DESCRIPTION

FIG. 1 is a left front perspective view showing the new design for a sheet dispenser and writing instrument holder; FIG. 2 is a front elevation view thereof; FIG. 3 is a back elevation view thereof; FIG. 4 is a top plan view thereof; FIG. 5 is a bottom plan view thereof; FIG. 6 is a right side elevation view thereof; and, FIG. 7 is a left side elevation view thereof. The broken lines showing the note paper outlet in FIGS. 1, 2, 4, 6, and 7 are included for the purpose of illustrating a portion of the holder that forms no part of the claimed design.

1 Claim, 2 Drawing Sheets



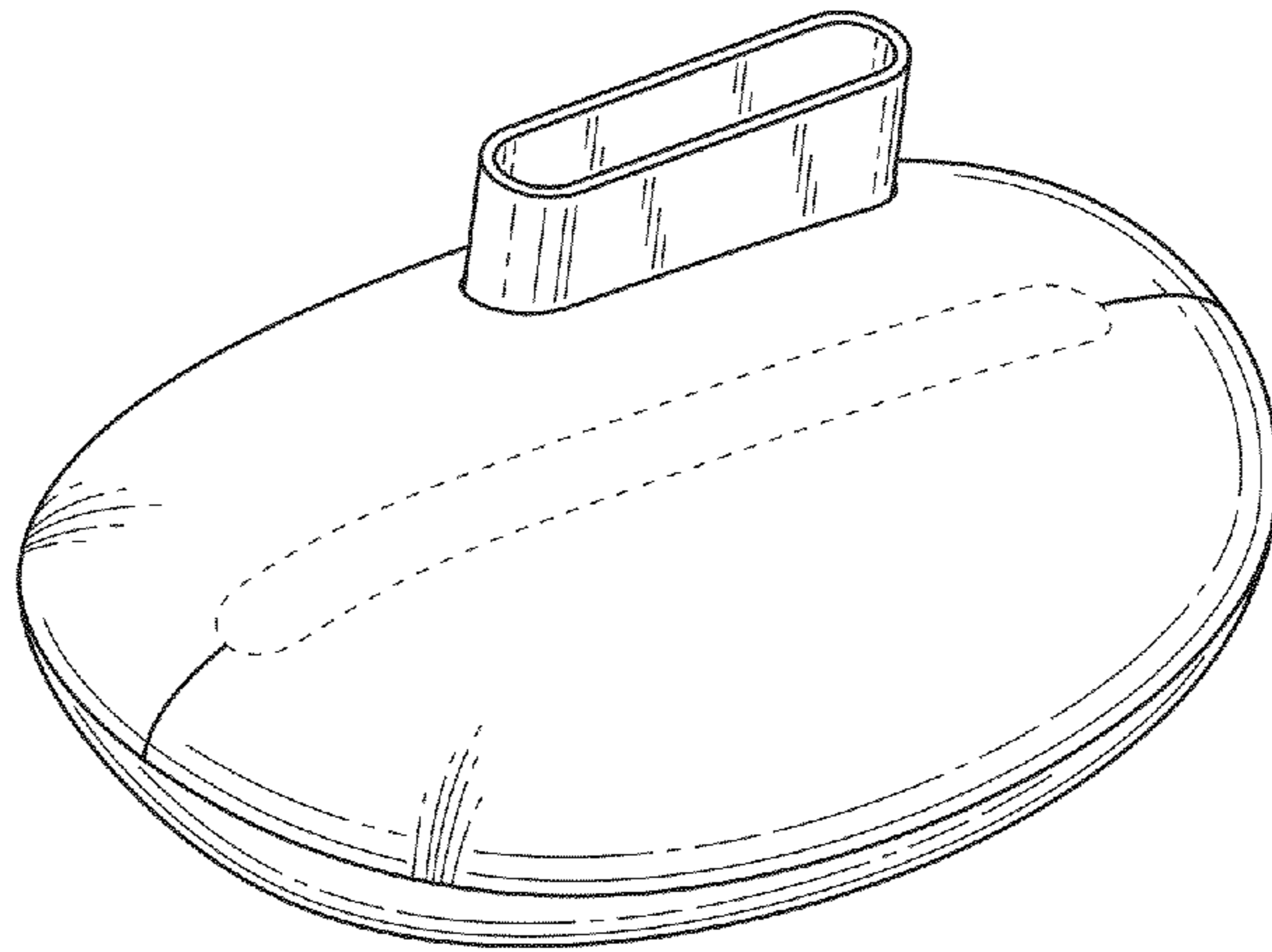


Fig. 1

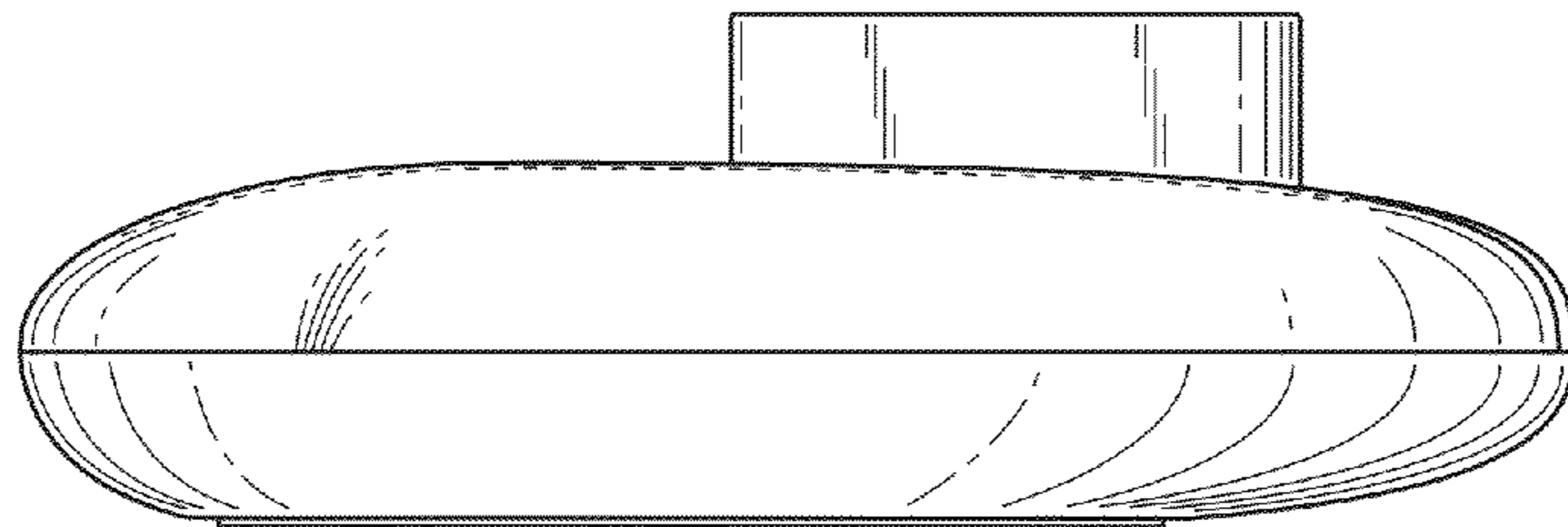


Fig. 2

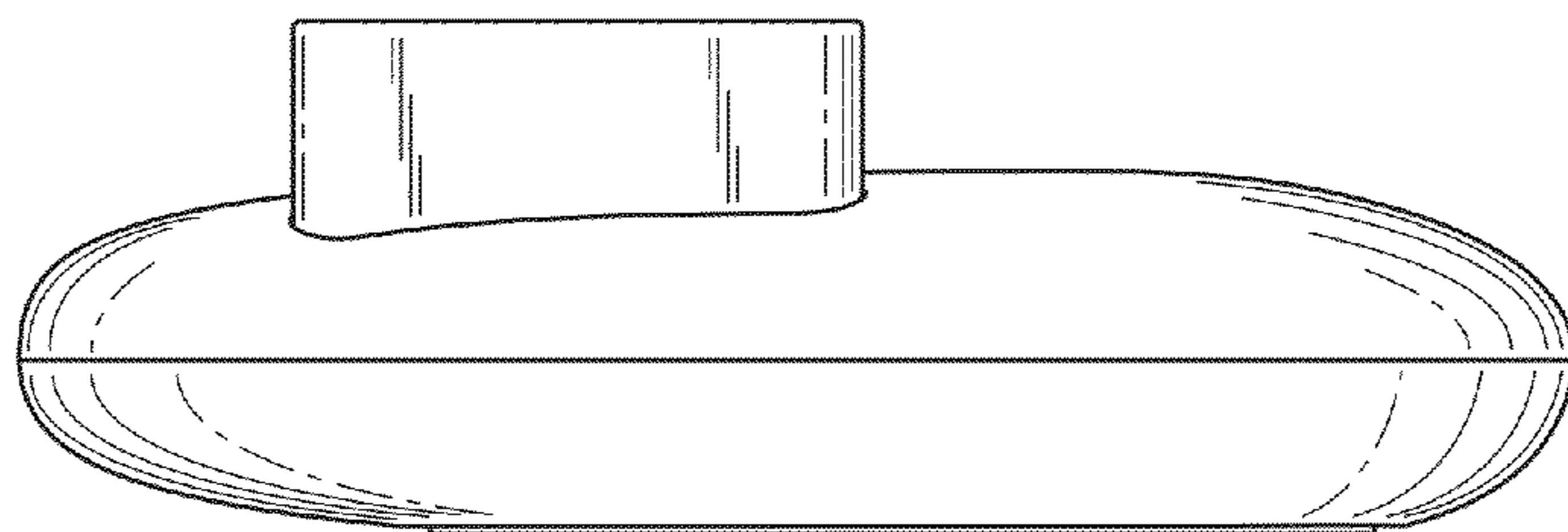


Fig. 3

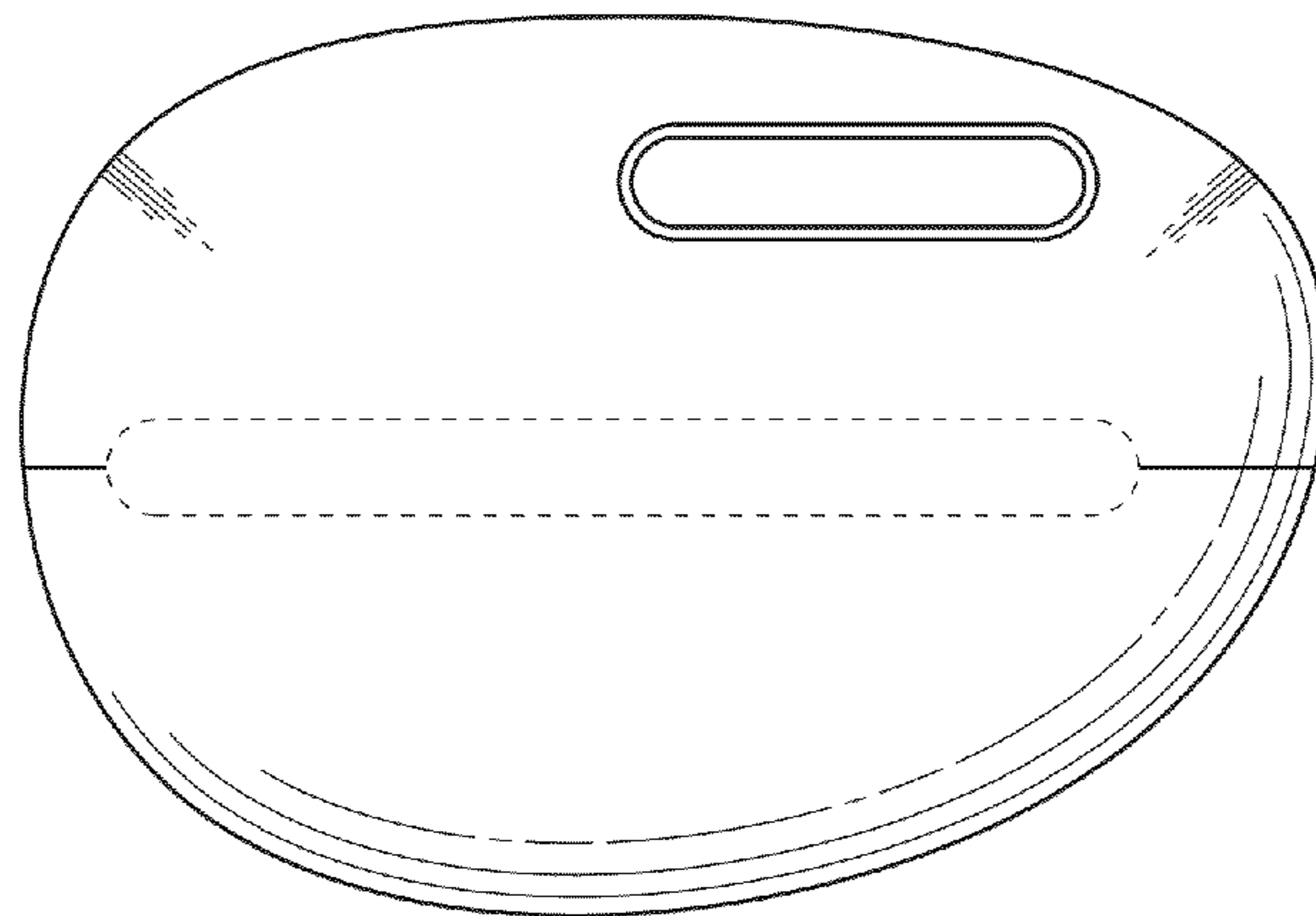


Fig. 4

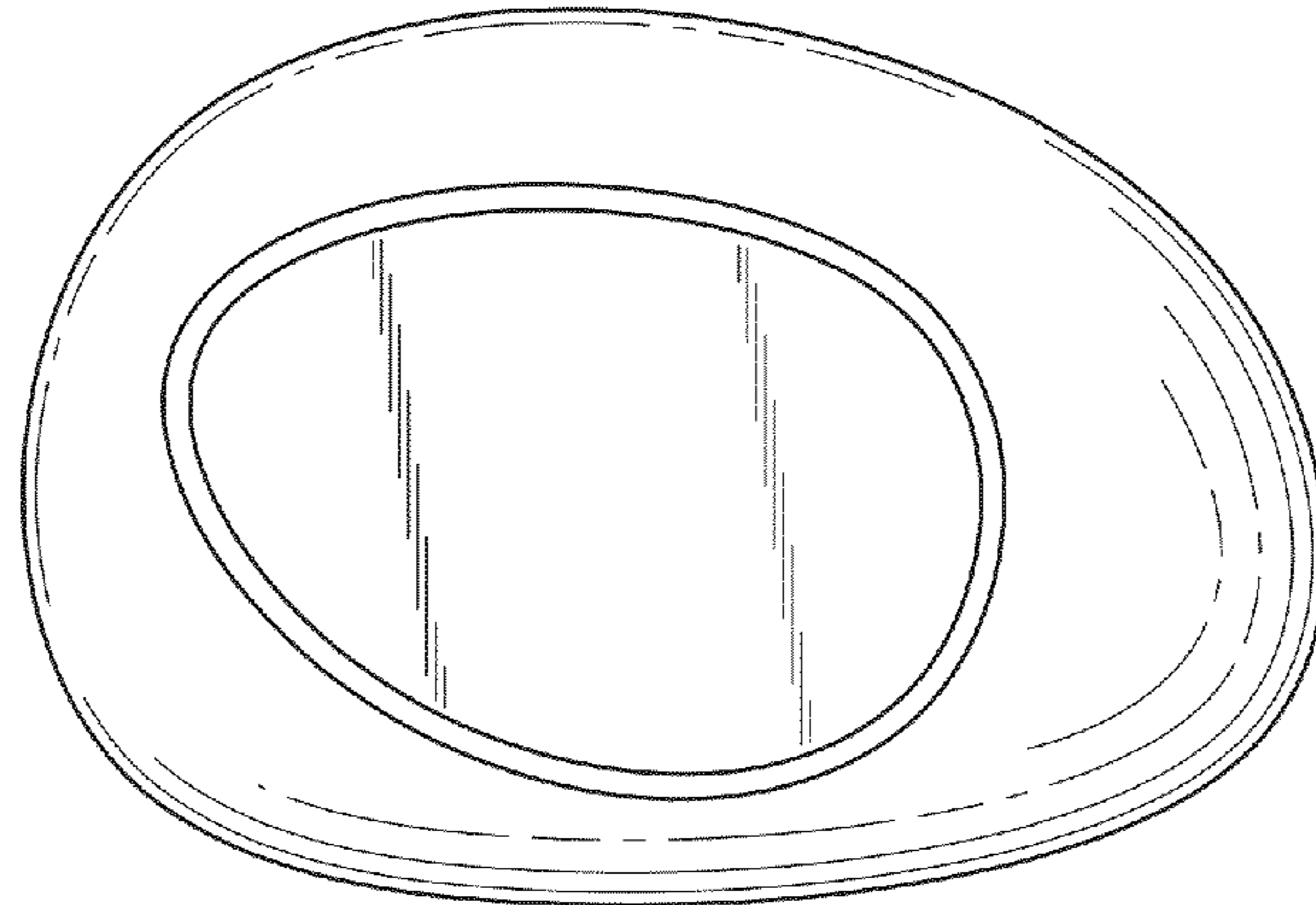


Fig. 5

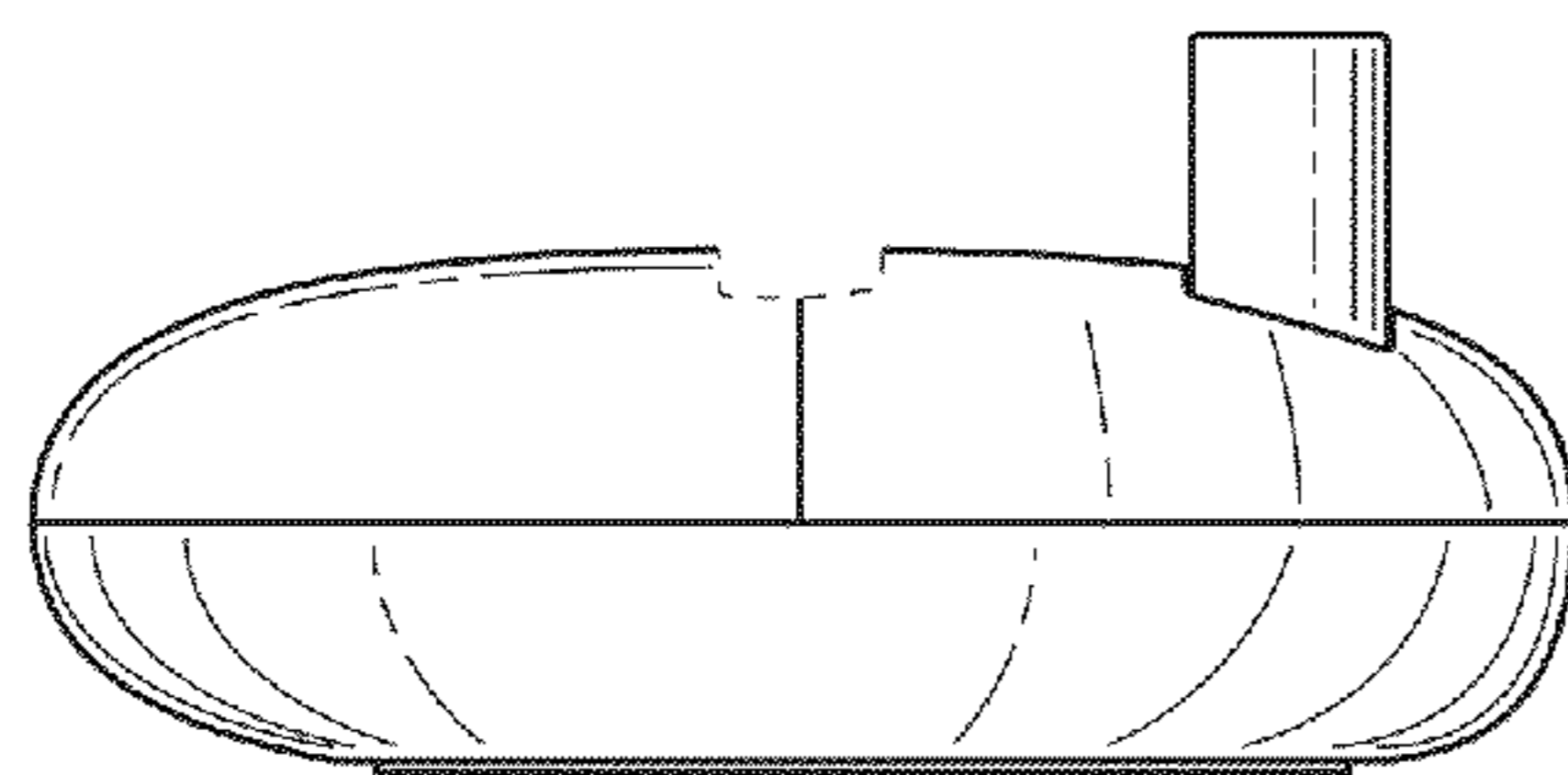


Fig. 6

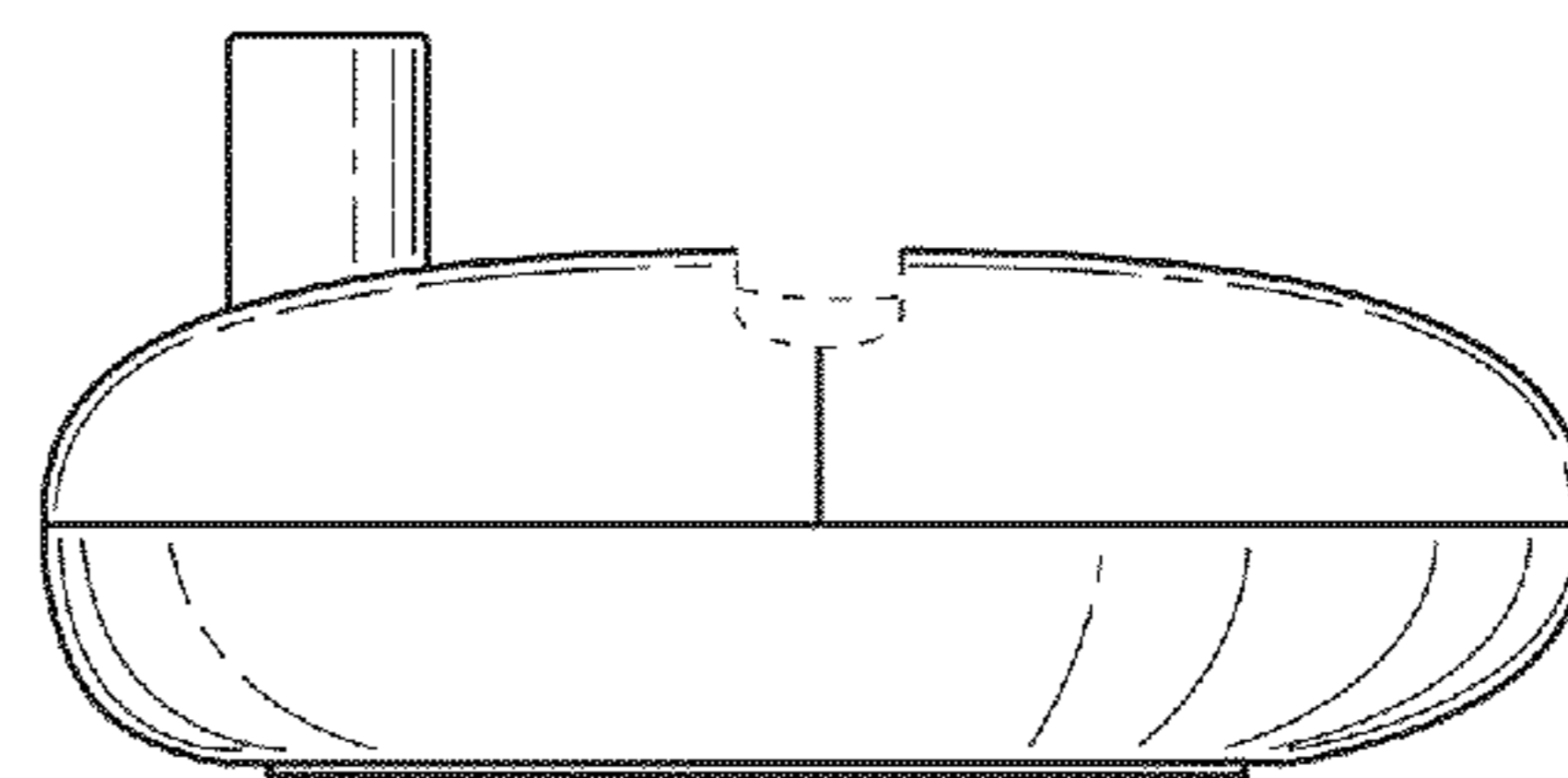


Fig. 7