



US00D668293S

(12) **United States Design Patent**  
**Chen**

(10) **Patent No.:** **US D668,293 S**  
(45) **Date of Patent:** **\*\* Oct. 2, 2012**

(54) **PEN**  
(75) Inventor: **Bei Chen**, Ningbo (CN)  
(73) Assignee: **Beifa Group Co., Ltd.**, Ningbo (CN)  
(\*\*) Term: **14 Years**  
(21) Appl. No.: **29/394,216**  
(22) Filed: **Jun. 14, 2011**  
(30) **Foreign Application Priority Data**

D545,366 S 6/2007 Ternovits  
D568,932 S 5/2008 Qiu  
D592,245 S 5/2009 Yu  
D598,953 S 8/2009 Yu  
D601,627 S 10/2009 Liu  
D602,086 S 10/2009 Liu  
D605,700 S \* 12/2009 Ma ..... D19/49  
D607,934 S 1/2010 Liu  
D611,095 S 3/2010 Liu  
D611,096 S 3/2010 Liu  
D611,098 S 3/2010 Collin  
D616,498 S 5/2010 Zhang  
D616,937 S \* 6/2010 Liu ..... D19/49  
D641,402 S \* 7/2011 Tan ..... D19/43  
D642,621 S \* 8/2011 Keum et al. .... D19/56

Dec. 15, 2010 (CN) ..... 2010 3 0678790  
(51) **LOC (9) Cl.** ..... **19-06**  
(52) **U.S. Cl.** ..... **D19/49**  
(58) **Field of Classification Search** ..... D19/35,  
D19/36, 41-51, 54-58; D14/411; 24/11 F,  
24/11 P, 11 R; 401/52, 99, 100-109, 192,  
401/195, 196  
See application file for complete search history.

**OTHER PUBLICATIONS**

Liu, L., "Pen," U.S. Appl. No. 29/384,324, filed Jan. 28, 2011.

\* cited by examiner

*Primary Examiner* — Elizabeth Albert

(74) *Attorney, Agent, or Firm* — Christensen O'Connor Johnson Kindness PLLC

(56) **References Cited**

(57) **CLAIM**

The ornamental design for a pen, as shown and described.

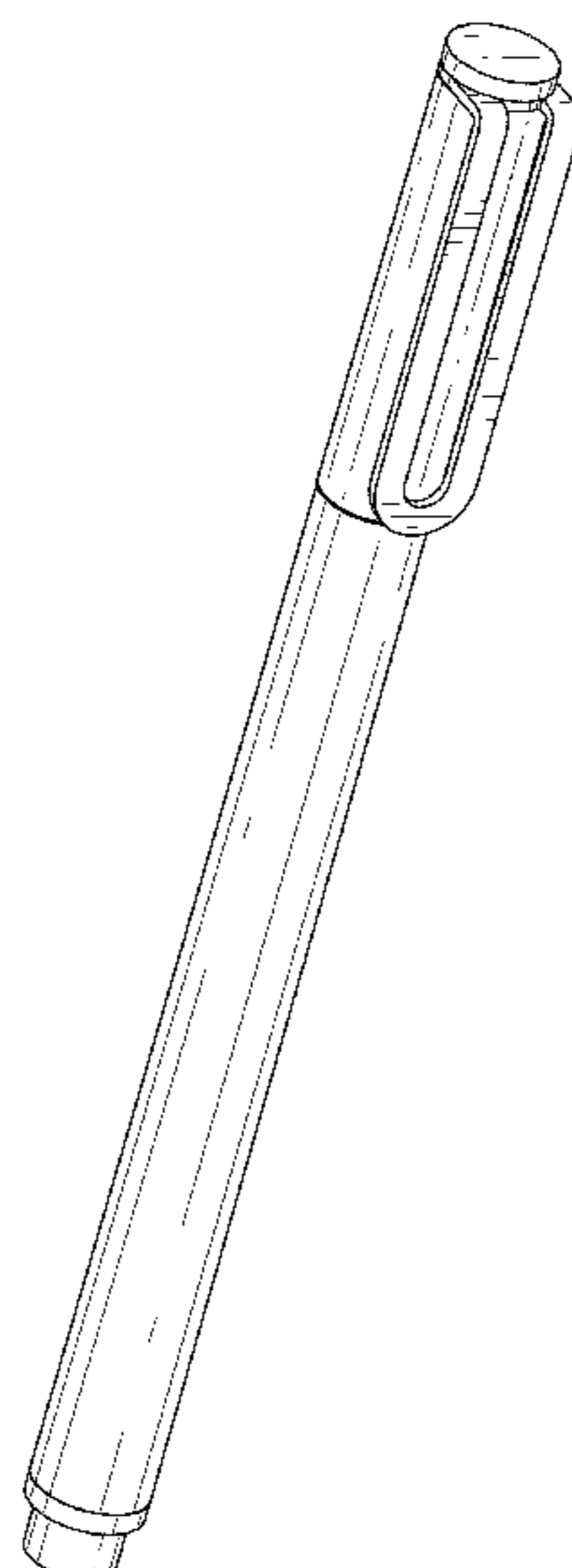
**U.S. PATENT DOCUMENTS**

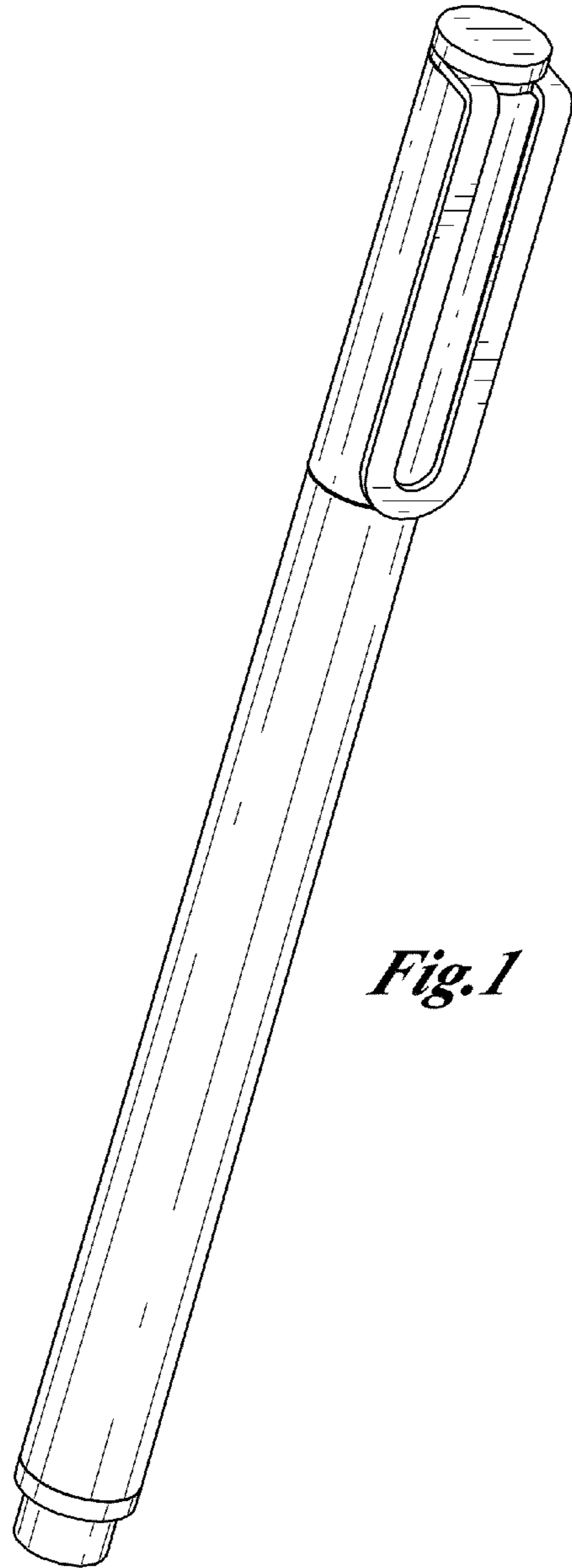
**DESCRIPTION**

D234,225 S 1/1975 Ito  
D266,769 S 11/1982 Camps  
D280,420 S 9/1985 Verhaegue  
D280,737 S 9/1985 Verhaegue  
D327,911 S \* 7/1992 Poisson ..... D19/49  
D334,408 S \* 3/1993 Takemura ..... D19/56  
D345,578 S 3/1994 Zier  
D394,877 S \* 6/1998 Hsieh ..... D19/56  
D403,706 S \* 1/1999 Fukami ..... D19/51  
D409,656 S 5/1999 Melnick  
D426,573 S 6/2000 Sekine  
6,276,855 B1 \* 8/2001 Hsien ..... 401/114  
D448,407 S \* 9/2001 Huang ..... D19/43  
D455,180 S \* 4/2002 Hasegawa ..... D19/57  
D467,970 S 12/2002 Pellissa Beneyto  
D504,152 S 4/2005 Collin

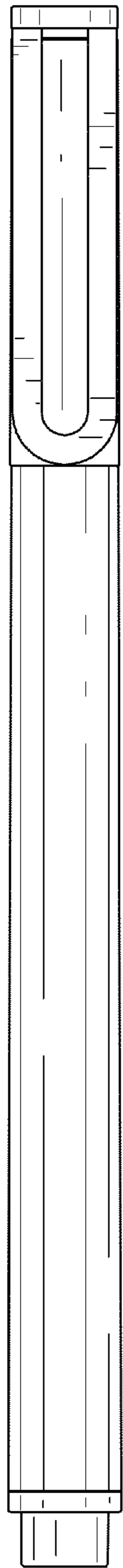
FIG. 1 is an upper front left perspective view of a pen showing my new design;  
FIG. 2 is a front elevation view thereof;  
FIG. 3 is a rear elevation view thereof;  
FIG. 4 is a right side elevation view thereof, with the left side elevation view being a mirror image of the right side elevation view;  
FIG. 5 is an enlarged top plan view thereof; and,  
FIG. 6 is an enlarged bottom plan view thereof.  
The broken lines shown in FIG. 6 illustrate environmental subject matter and form no part of the claimed design.

**1 Claim, 4 Drawing Sheets**

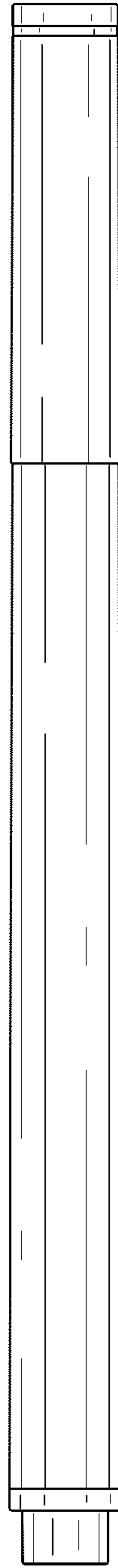




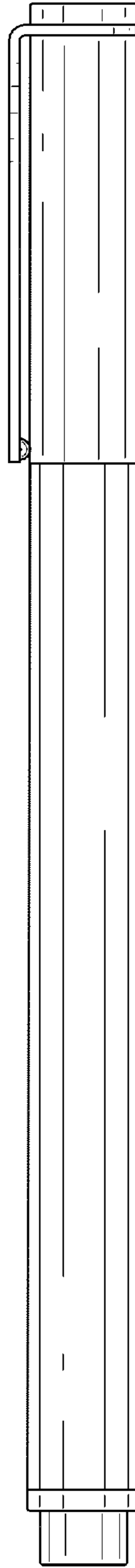
*Fig. 1*



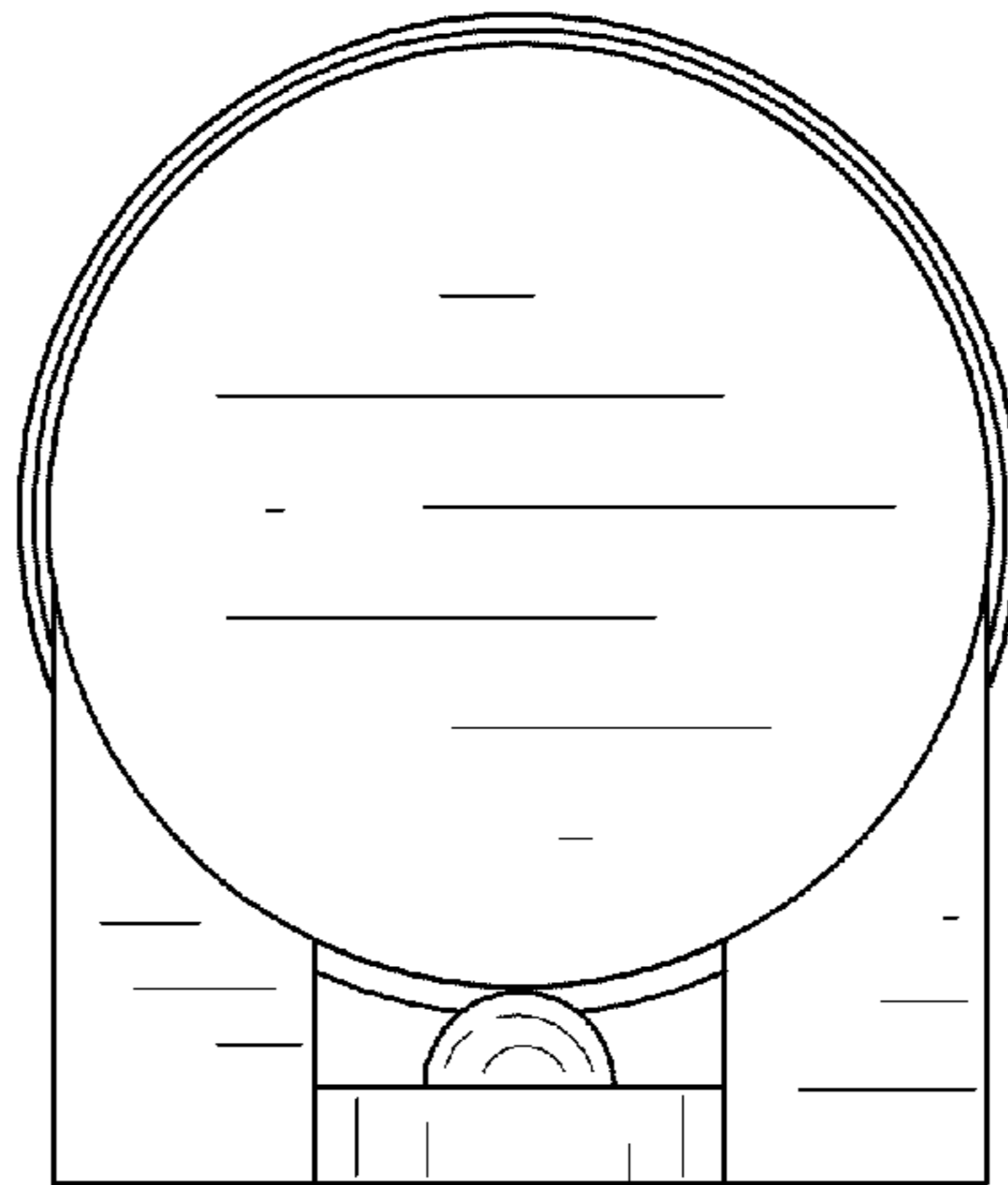
*Fig. 2*



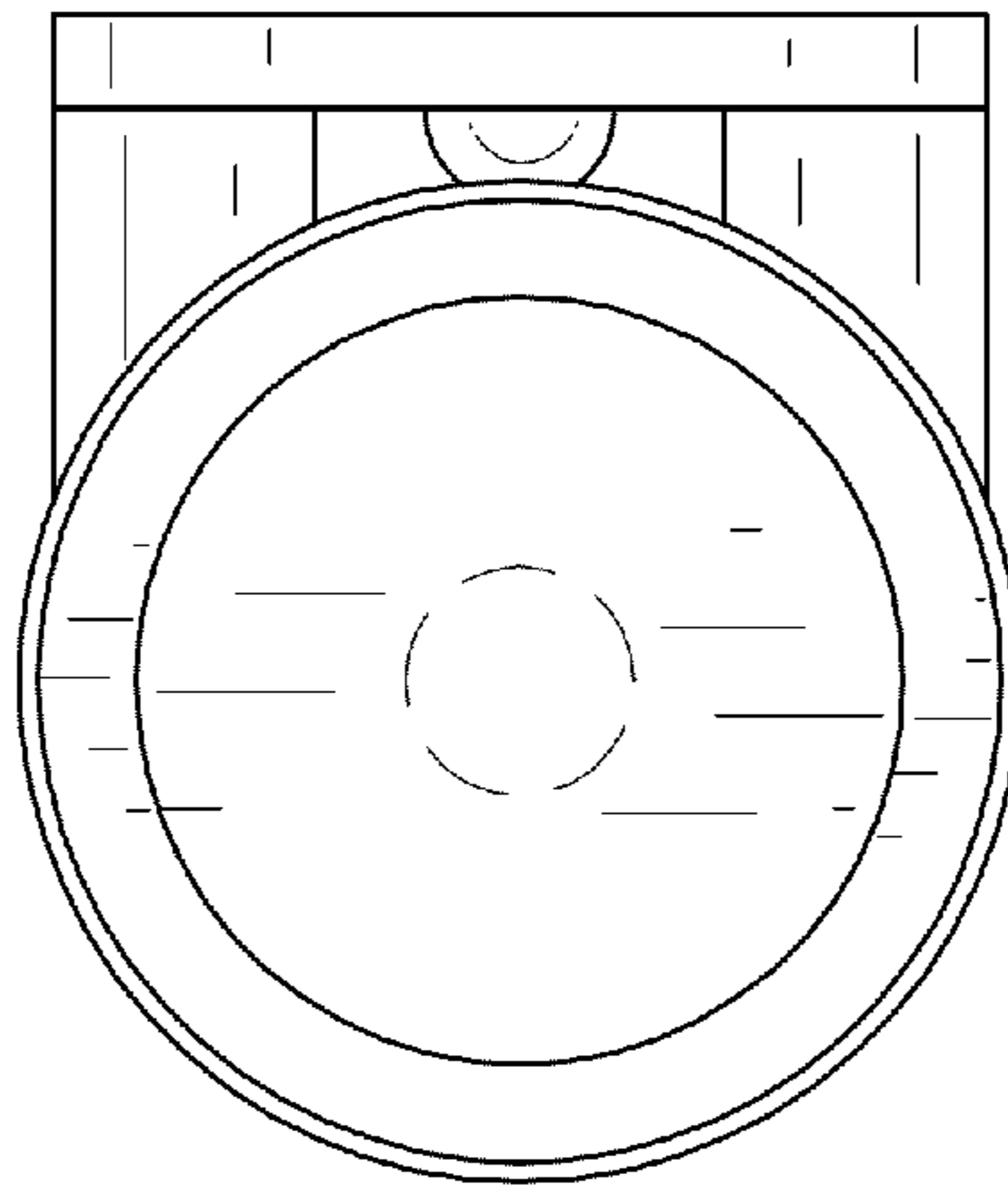
*Fig. 3*



*Fig. 4*



*Fig. 5*



*Fig. 6*