



US00D668291S

(12) **United States Design Patent**
Chen

(10) **Patent No.:** **US D668,291 S**

(45) **Date of Patent:** **** Oct. 2, 2012**

(54) **MARKER**

(75) Inventor: **Bei Chen**, Ningbo (CN)

(73) Assignee: **Beifa Group Co., Ltd.**, Ningbo (CN)

(**) Term: **14 Years**

(21) Appl. No.: **29/394,081**

(22) Filed: **Jun. 13, 2011**

(30) **Foreign Application Priority Data**

Dec. 13, 2010 (CN) 2010 3 0674607

(51) **LOC (9) Cl.** **19-06**

(52) **U.S. Cl.** **D19/49**

(58) **Field of Classification Search** D19/35,
D19/36, 41-51, 54-58; D14/411; 24/11 F,
24/11 P, 11 R; 401/52, 99, 100-109, 192,
401/195, 196

See application file for complete search history.

(56) **References Cited**

U.S. PATENT DOCUMENTS

| | | | |
|----------------|---------|---------------|--------|
| D205,330 S | 7/1966 | Capezzuto | |
| D267,982 S * | 2/1983 | Kennedy | D28/5 |
| D286,546 S * | 11/1986 | Funahashi | D19/43 |
| D287,141 S * | 12/1986 | Regnault | D19/43 |
| D287,373 S | 12/1986 | Regnault | |
| D302,175 S | 7/1989 | Ohashi | |
| D369,183 S | 4/1996 | Yoshida | |
| D389,862 S * | 1/1998 | Imagawa | D19/43 |
| D430,705 S * | 9/2000 | Lang | D28/89 |
| D441,145 S * | 4/2001 | Chang | D28/88 |
| D471,234 S * | 3/2003 | Okutani | D19/57 |
| 6,561,711 B1 * | 5/2003 | Pierpont | 401/78 |
| D496,398 S * | 9/2004 | Greenberg | D19/43 |
| D541,479 S * | 4/2007 | Cronin et al. | D28/90 |

| | | | |
|-------------------|---------|------------|---------|
| D545,899 S * | 7/2007 | Okutani | D19/43 |
| D568,933 S * | 5/2008 | Qiu et al. | D19/43 |
| D575,336 S | 8/2008 | Qiu | |
| D601,194 S * | 9/2009 | Hung | D19/43 |
| D601,626 S * | 10/2009 | Liu | D19/43 |
| D605,697 S * | 12/2009 | Liu | D19/43 |
| D608,827 S * | 1/2010 | Hung | D19/49 |
| D610,195 S * | 2/2010 | Liu | D19/41 |
| D622,767 S | 8/2010 | Liu | |
| D640,319 S * | 6/2011 | Gerules | D19/41 |
| 2007/0201939 A1 * | 8/2007 | Wong | 401/134 |

OTHER PUBLICATIONS

Chen, B., "Marker," U.S. Appl. No. 29/384,492, filed Jan. 31, 2011.

Liu, D., "Marker," U.S. Appl. No. 29/394,219, filed Jun. 14, 2011.

* cited by examiner

Primary Examiner — Elizabeth Albert

(74) *Attorney, Agent, or Firm* — Christensen O'Connor Johnson Kindness PLLC

(57) **CLAIM**

The ornamental design for a marker, as shown and described.

DESCRIPTION

FIG. 1 is an upper front right perspective view of a marker showing my new design;

FIG. 2 is a front elevation view thereof;

FIG. 3 is a rear elevation view thereof;

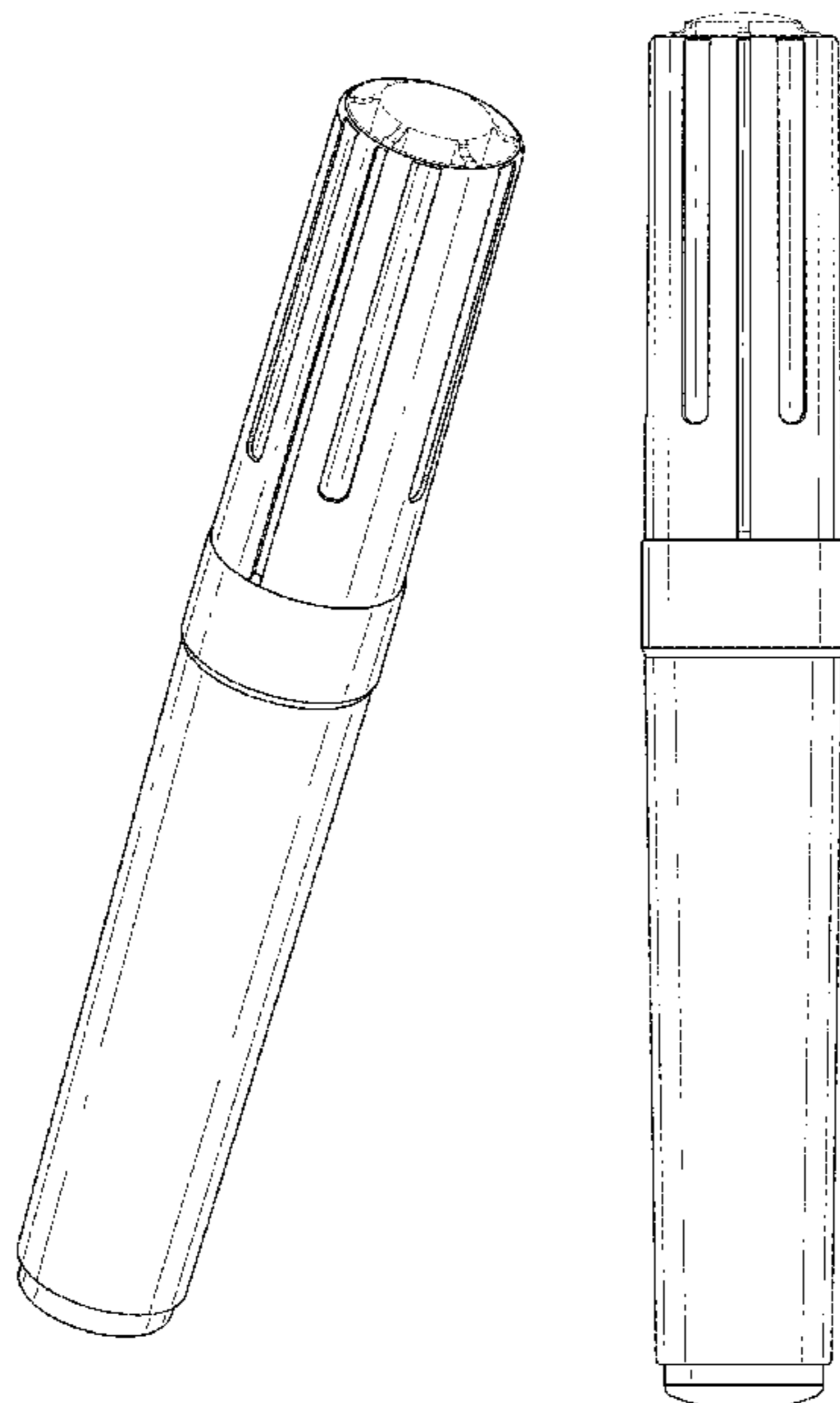
FIG. 4 is a left side elevation view thereof, with the right side elevation view being a mirror image of the left side elevation view;

FIG. 5 is an enlarged top plan view thereof; and,

FIG. 6 is an enlarged bottom plan view thereof.

The broken lines shown in FIGS. 1, 2, 3, 4, and 5 illustrate environmental subject matter and form no part of the claimed design.

1 Claim, 4 Drawing Sheets



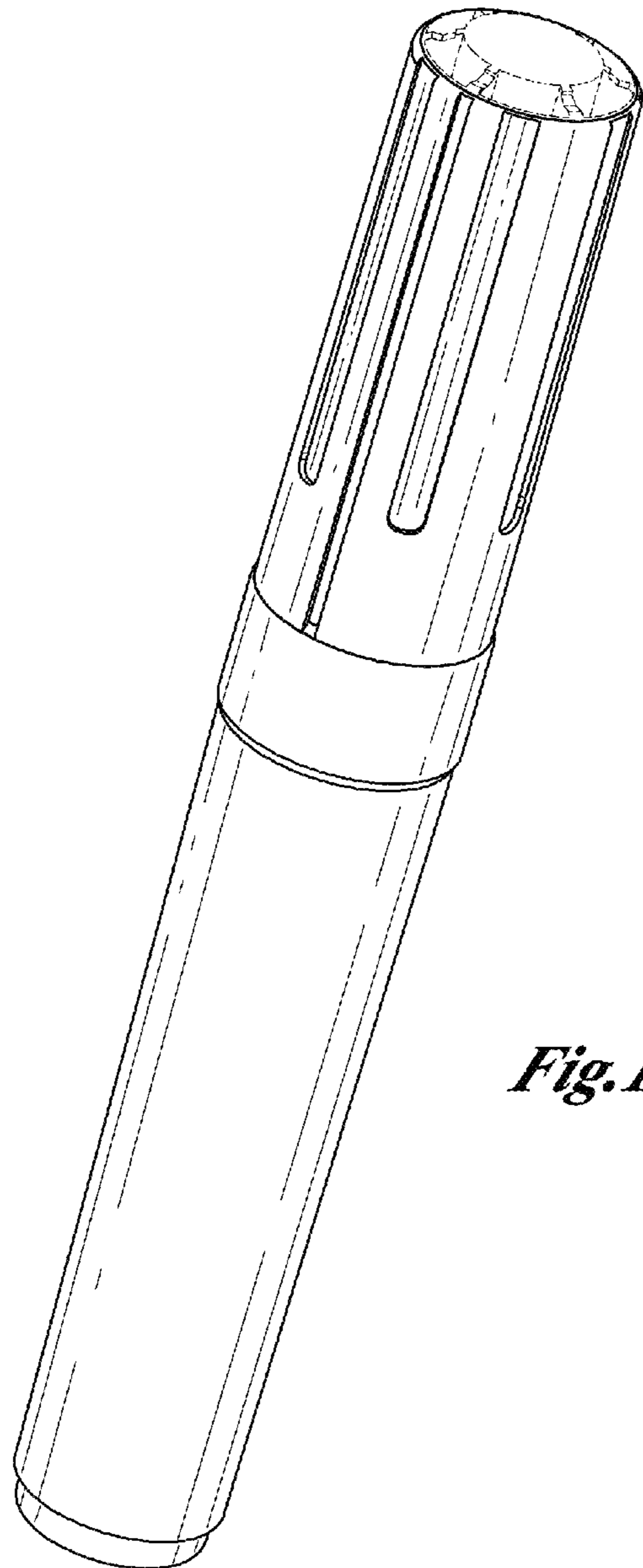


Fig.1

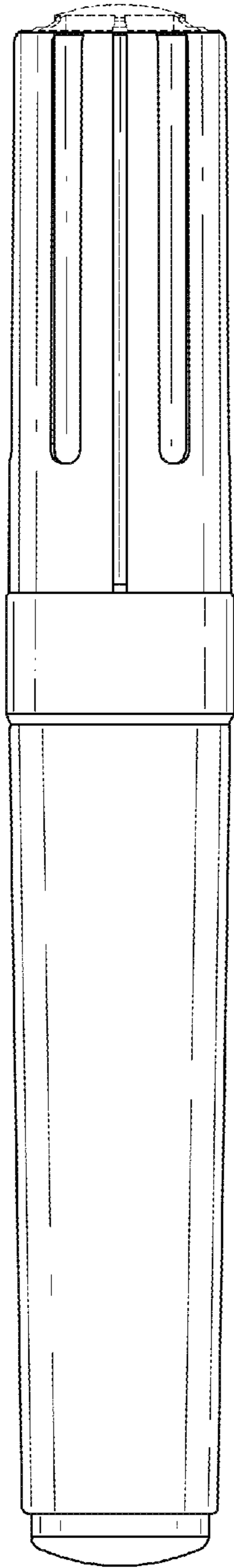


Fig. 2

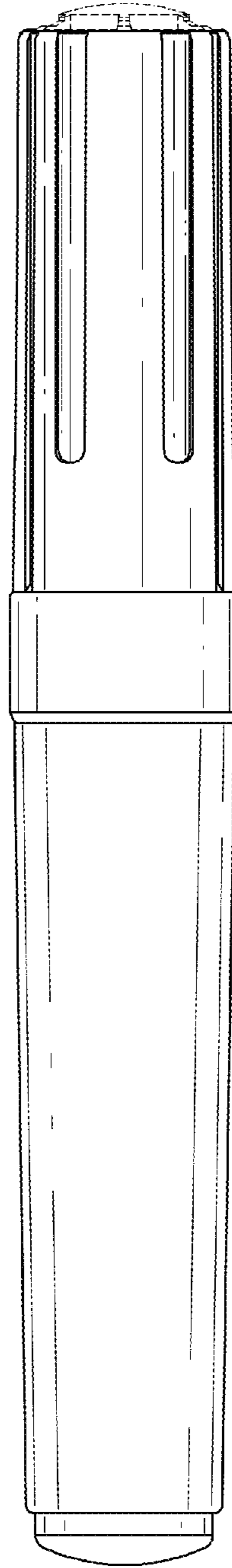


Fig. 3

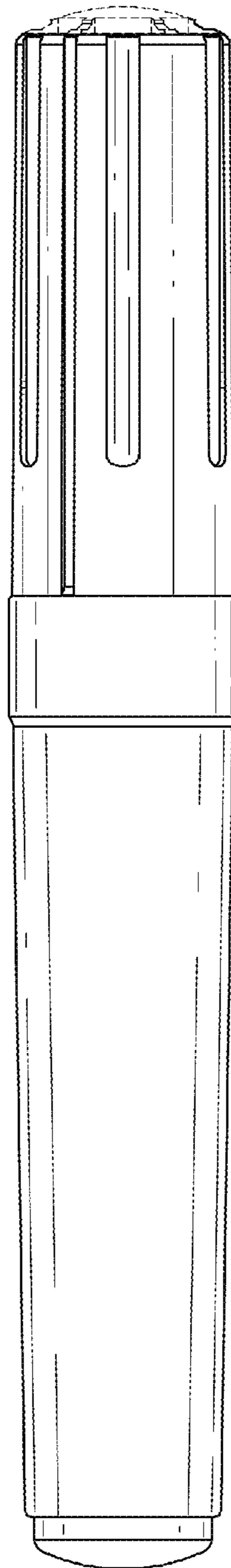


Fig.4

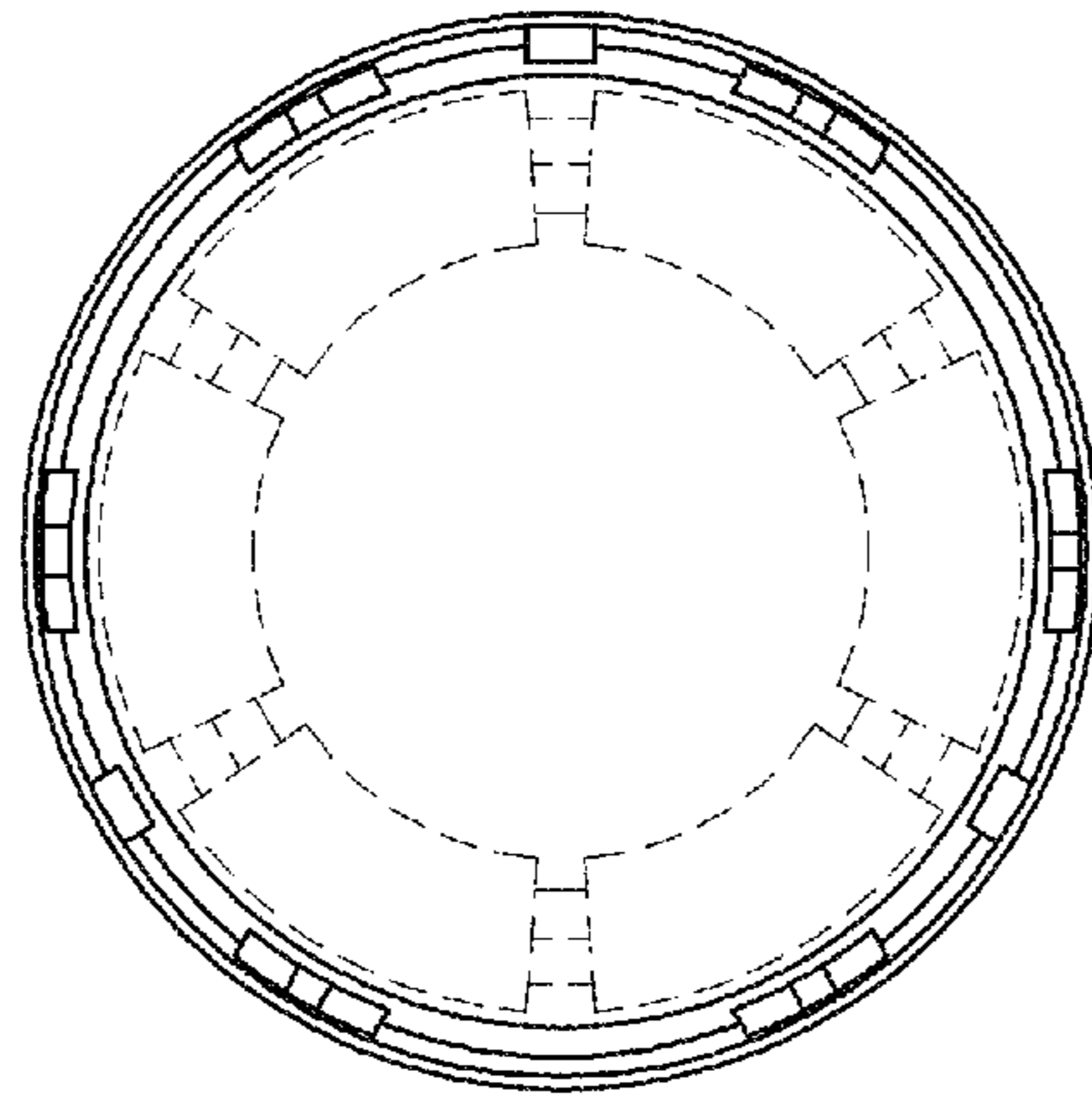


Fig. 5

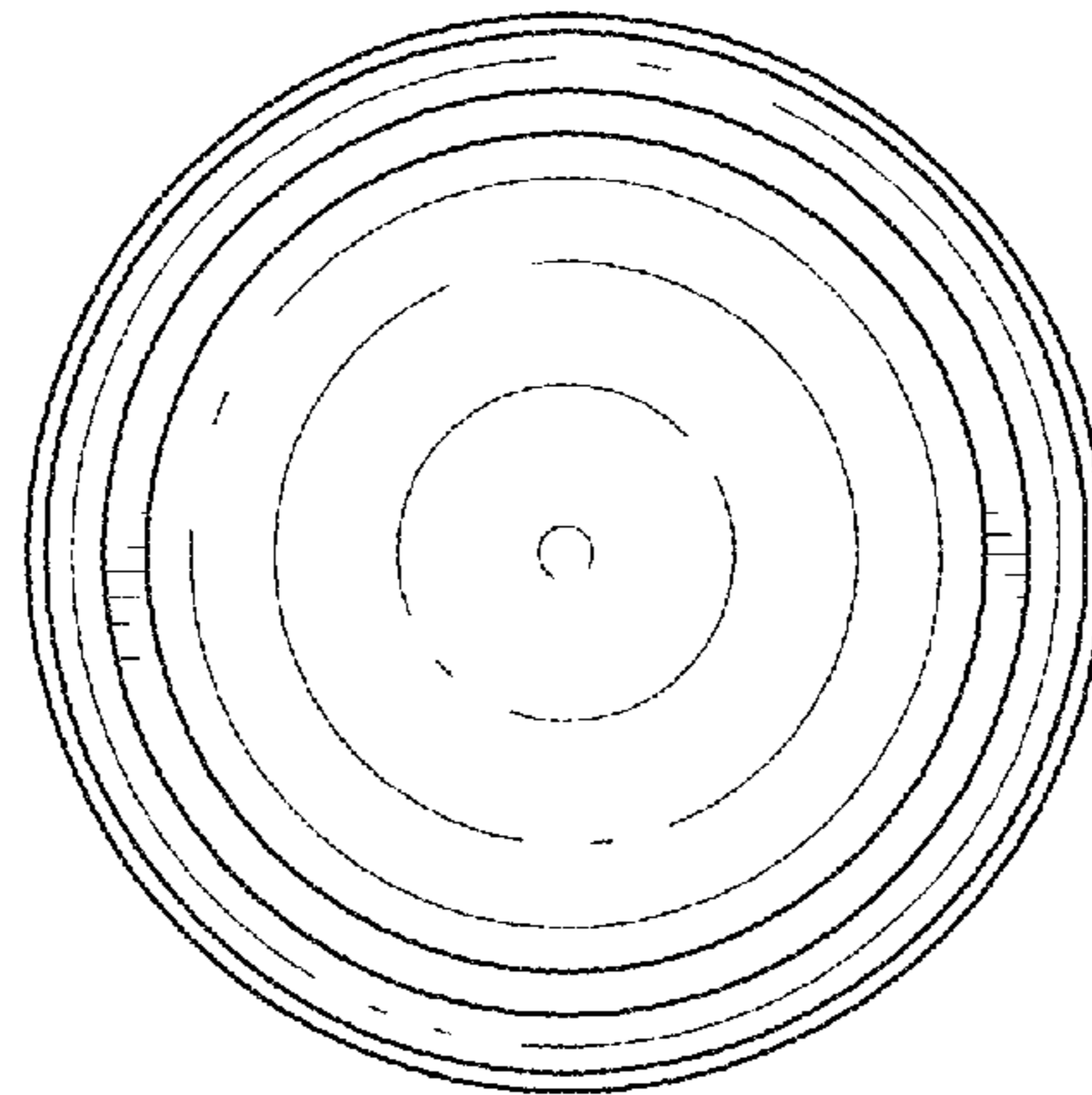


Fig. 6