



US00D668290S

(12) **United States Design Patent**
Li

(10) **Patent No.:** **US D668,290 S**
(45) **Date of Patent:** **** Oct. 2, 2012**

(54) **PEN**
(75) Inventor: **Bin Li, Ningbo (CN)**
(73) Assignee: **Beifa Group Co., Ltd., Ningbo (CN)**
(**) Term: **14 Years**

D568,393 S * 5/2008 Bhavnani D19/51
D575,817 S * 8/2008 Loesel D19/48
D575,824 S 8/2008 Koch
D579,979 S 11/2008 Bhavnani
D589,559 S * 3/2009 Slemp D19/51
D596,228 S * 7/2009 Koch D19/41
D615,590 S * 5/2010 Li D19/51
D631,914 S * 2/2011 Li D19/48

(21) Appl. No.: **29/396,489**
(22) Filed: **Jun. 30, 2011**

(Continued)

(30) **Foreign Application Priority Data**

OTHER PUBLICATIONS

Jan. 7, 2011 (CN) 2011 3 0001674

Li, B., "Mechanical Pencil," U.S. Appl. No. 29/402,725, filed Sep. 26, 2011.

(51) **LOC (9) Cl.** **19-06**
(52) **U.S. Cl.** **D19/44**
(58) **Field of Classification Search** D19/35,
D19/36, 41-51, 54-58; D14/411; 24/11 F,
24/11 P, 11 R; 401/52, 99, 100-109, 192,
401/195, 196
See application file for complete search history.

(Continued)

Primary Examiner — Elizabeth Albert
(74) *Attorney, Agent, or Firm* — Christensen O'Connor
Johnson Kindness PLLC

(56) **References Cited**

CLAIM

The ornamental design for a pen, as shown and described.

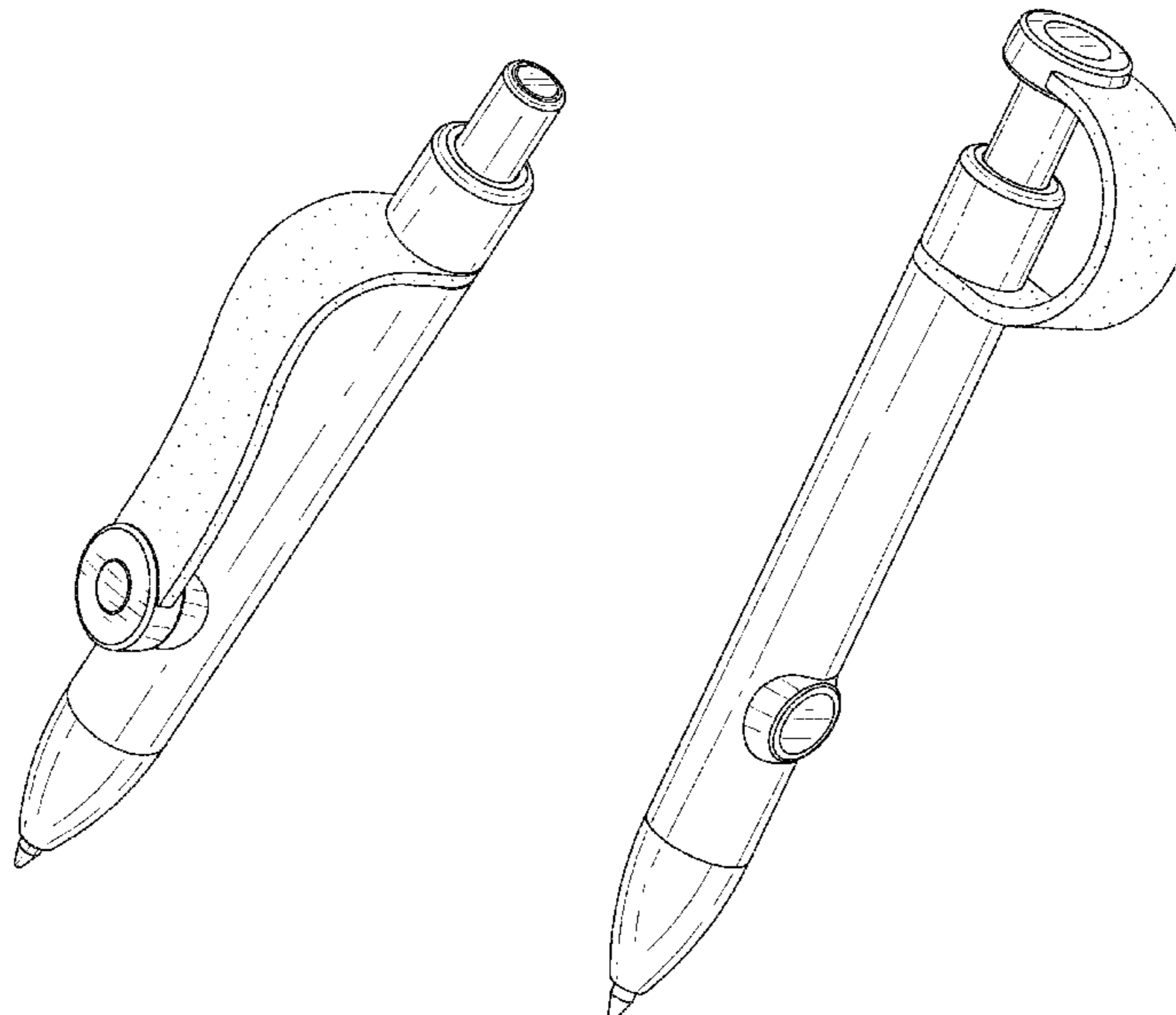
U.S. PATENT DOCUMENTS

1,756,241 A * 4/1930 Doebler 24/11 F
D408,854 S 4/1999 Katami
D425,559 S * 5/2000 Beneyto D19/51
D453,187 S 1/2002 Keda
D460,112 S 7/2002 Keda
D485,575 S 1/2004 Lovell
D485,576 S 1/2004 Burden
D500,521 S 1/2005 Hautzinger
D502,507 S 3/2005 Wang
D523,081 S * 6/2006 Pellissa Beneyto D19/51
D543,237 S 5/2007 Bickert
D552,681 S * 10/2007 Koch D19/51
D557,744 S 12/2007 Lecce
D558,268 S 12/2007 Siegel
D561,831 S 2/2008 Qiu
D565,654 S 4/2008 Siegel

DESCRIPTION

FIG. 1 is an upper front right perspective view of a pen showing my new design, with a flexible clip attached to the body of the pen;
FIG. 2 is an upper front left perspective view thereof, with the flexible clip alternately attached to a push button of the pen;
FIG. 3 is a front elevation view of the pen shown in FIG. 1;
FIG. 4 is a rear elevation view thereof;
FIG. 5 is a right side elevation view thereof, with the left side elevation view being a mirror image of the right side elevation view;
FIG. 6 is an enlarged top plan view thereof; and,
FIG. 7 is an enlarged bottom plan view thereof.
The stippling shown in FIGS. 1-7 represents a surface texture.

1 Claim, 6 Drawing Sheets



US D668,290 S

Page 2

U.S. PATENT DOCUMENTS

D646,716 S * 10/2011 Losel D19/51
D648,791 S * 11/2011 Li D19/50
D648,792 S * 11/2011 Li D19/51

OTHER PUBLICATIONS

Zhang, Y., "Pen," U.S. Appl. No. 29/390,517, filed Apr. 26, 2011.

* cited by examiner

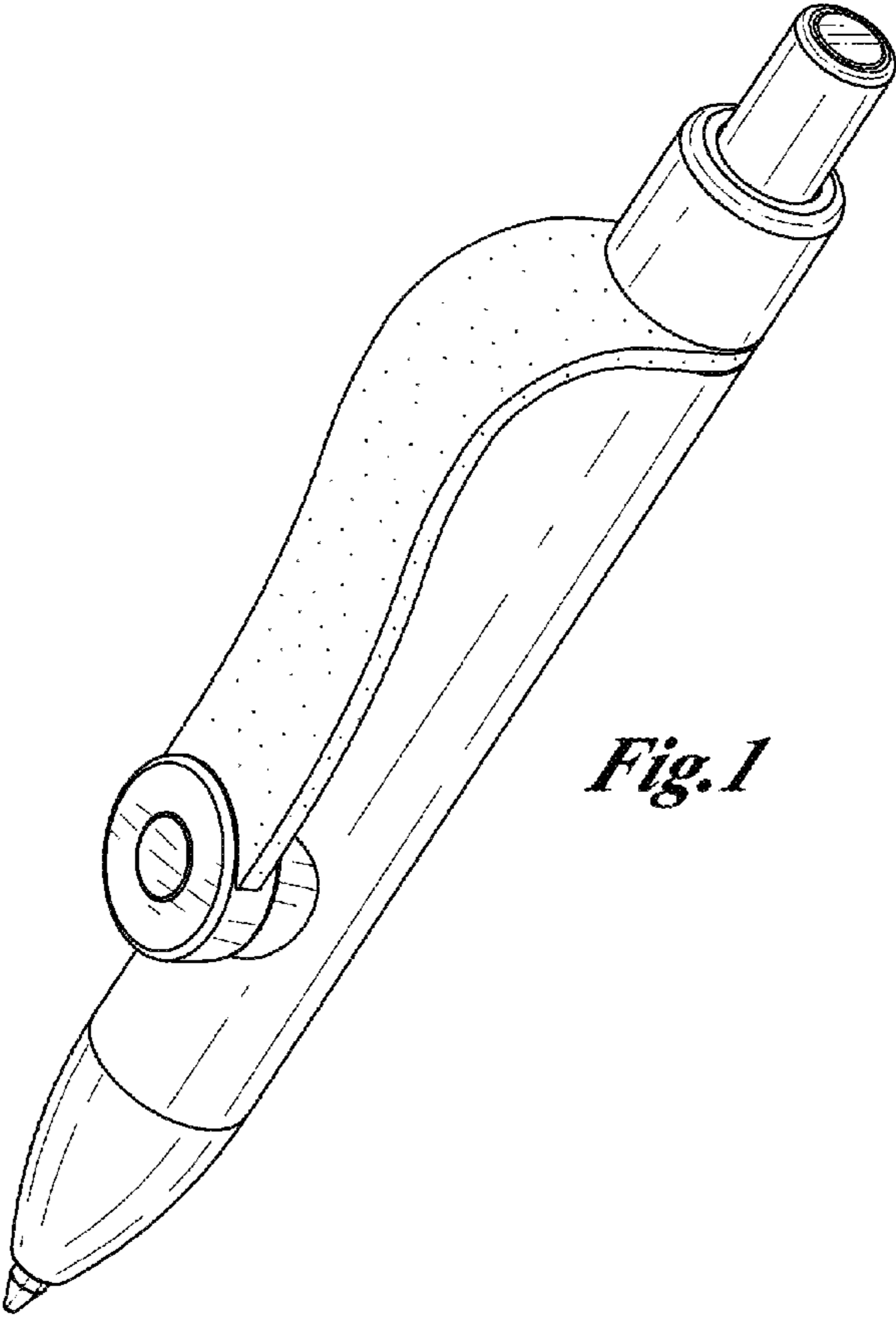


Fig. 1

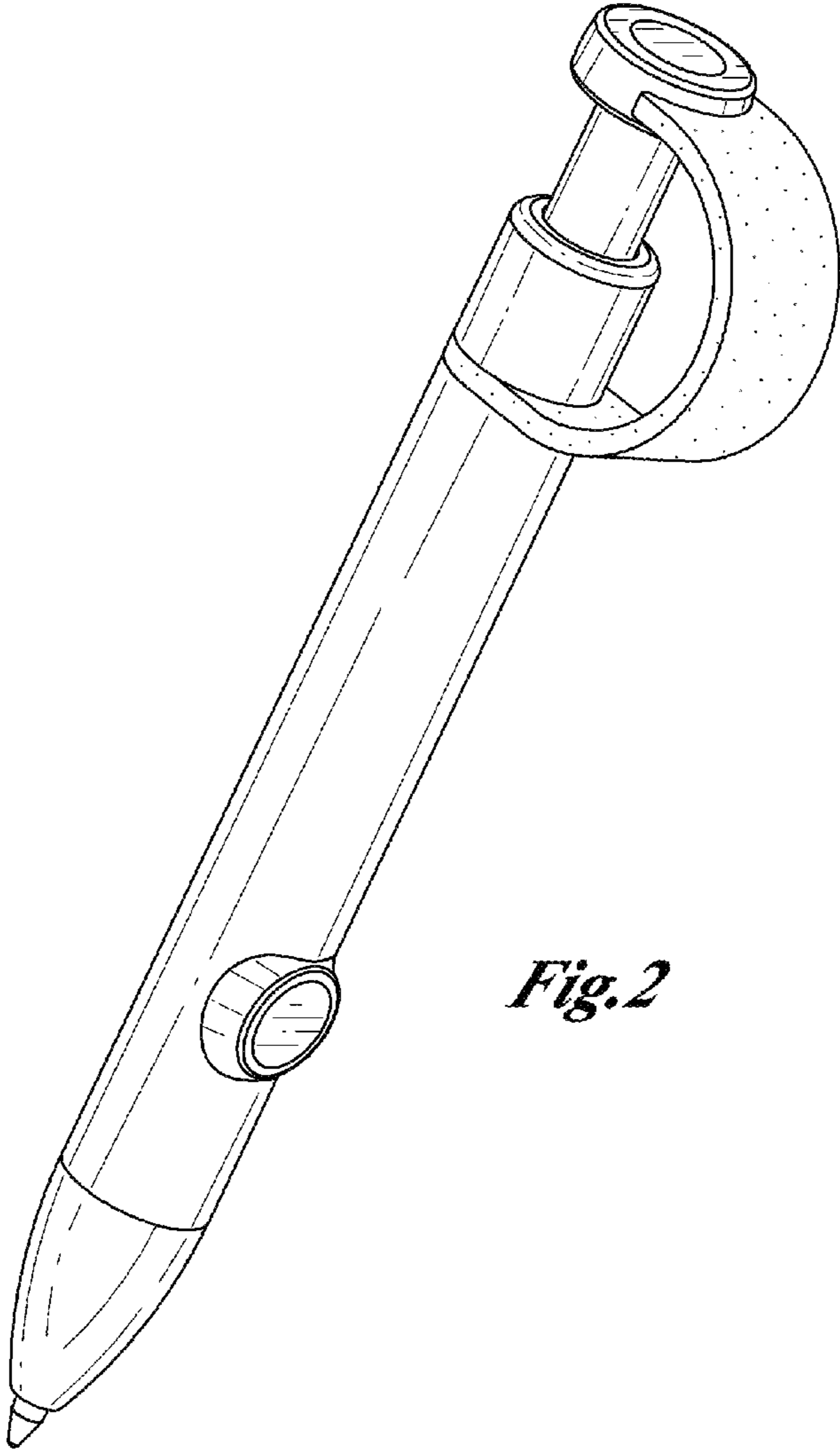


Fig. 2

Fig.3

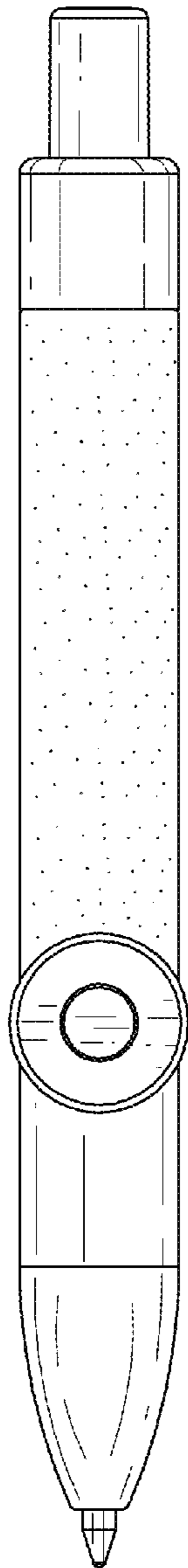
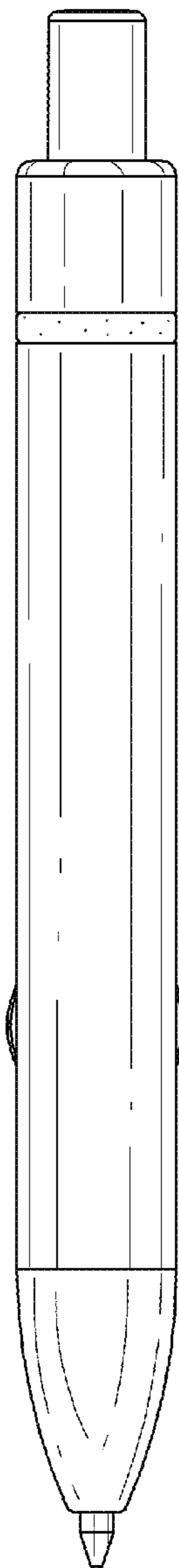


Fig.4



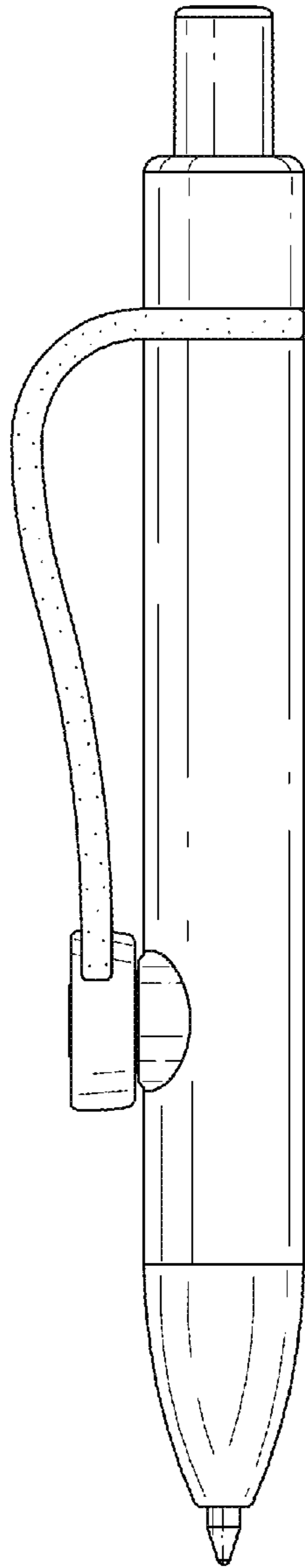


Fig. 5

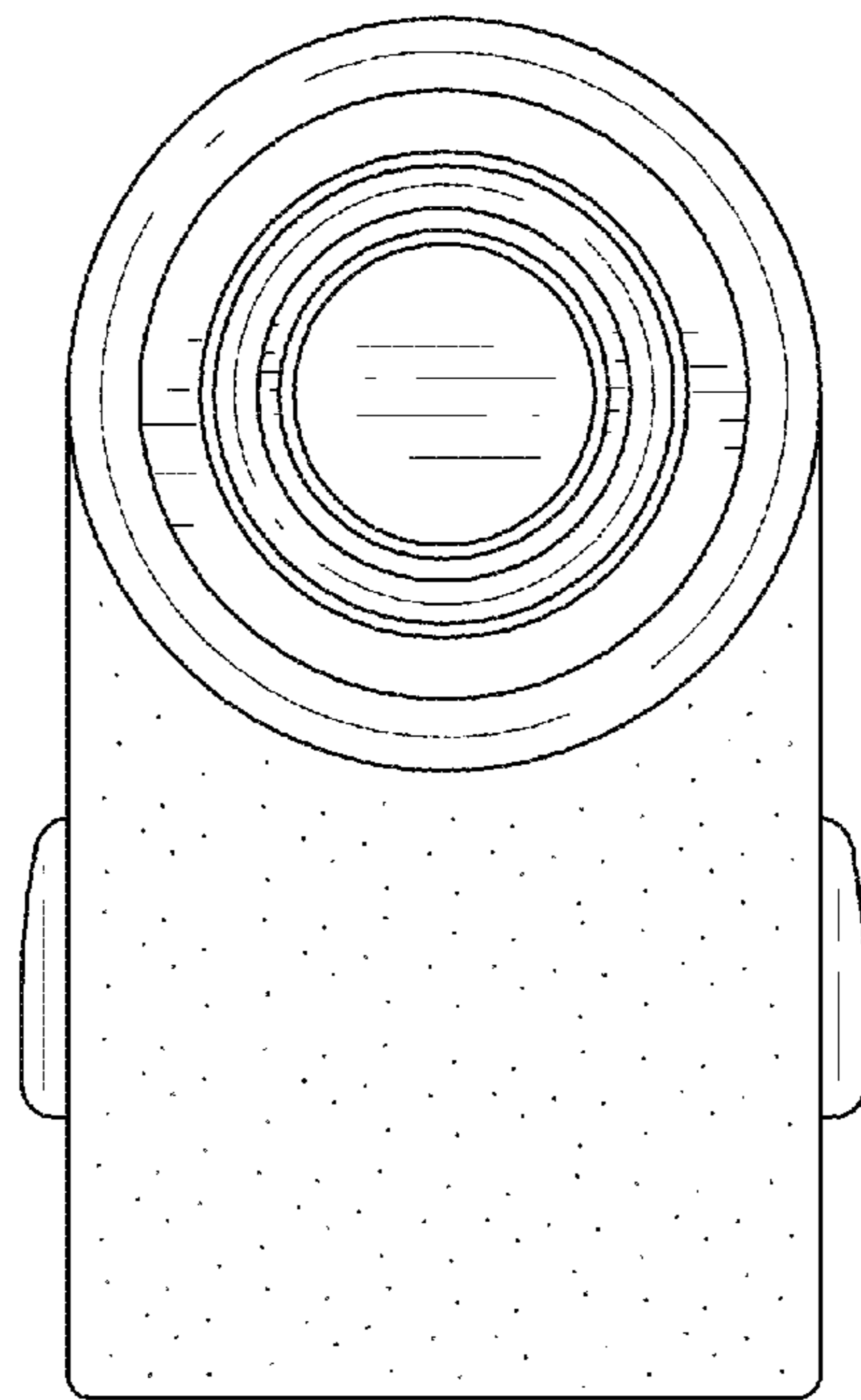


Fig. 6

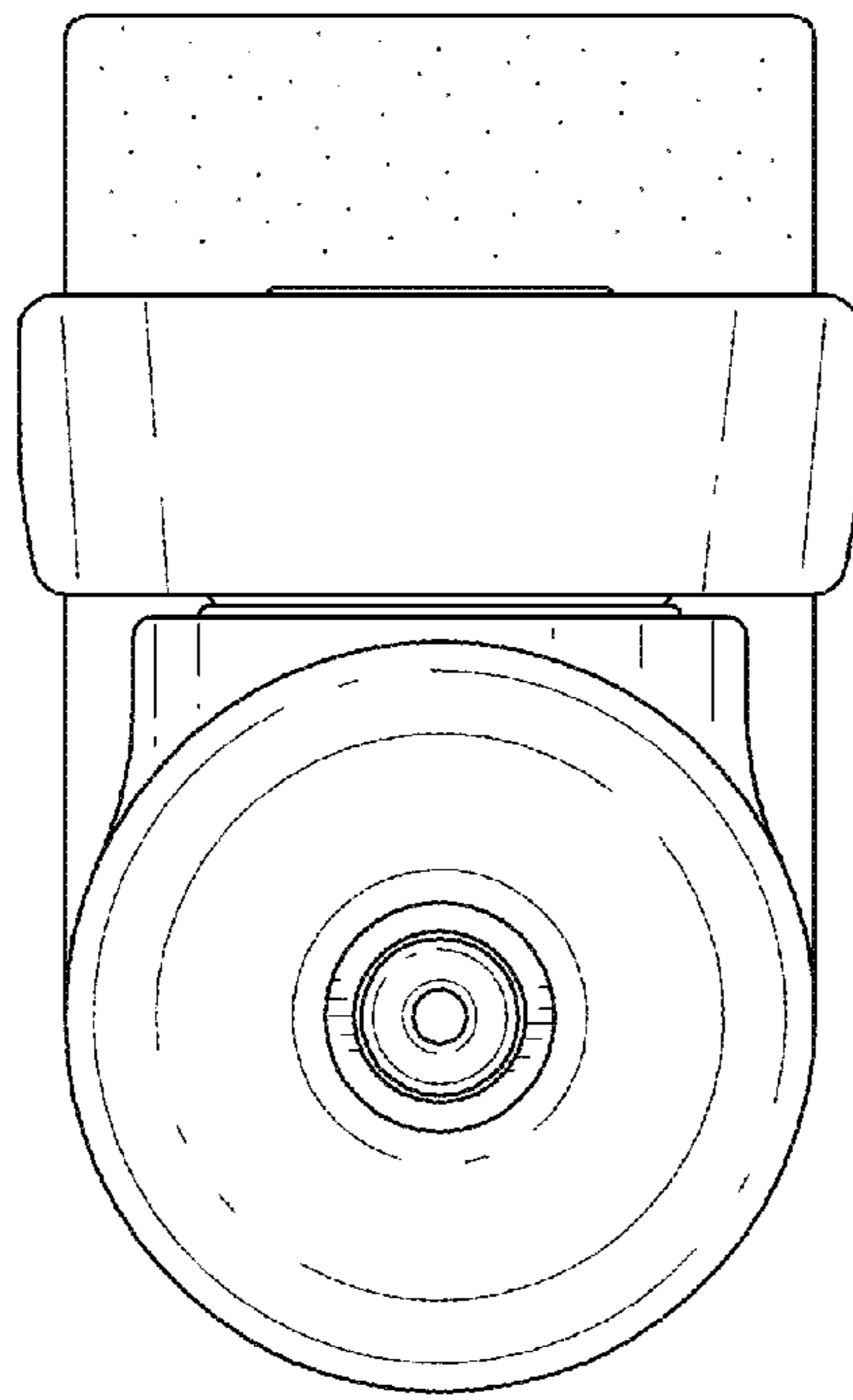


Fig. 7