

US00D668289S

(12) **United States Design Patent**
Yamaguchi

(10) **Patent No.:** **US D668,289 S**

(45) **Date of Patent:** **** Oct. 2, 2012**

- (54) **PROCESS CARTRIDGE**
 - (75) Inventor: **Naoki Yamaguchi**, Fukuoka (JP)
 - (73) Assignee: **Panasonic Corporation**, Osaka (JP)
 - (**) Term: **14 Years**
 - (21) Appl. No.: **29/391,695**
 - (22) Filed: **May 12, 2011**
 - (51) **LOC (9) Cl.** **16-03**
 - (52) **U.S. Cl.** **D18/43**
 - (58) **Field of Classification Search** D14/471;
D18/12, 36, 40, 43, 44, 56; 222/DIG. 1;
347/197, 222; 399/24-28, 107-112, 119,
399/121, 122, 222-224
- See application file for complete search history.

- D531,660 S 11/2006 Ishii et al.
- D531,661 S 11/2006 Ishii et al.
- D533,215 S 12/2006 Ishii et al.
- D539,335 S * 3/2007 Jeon et al. D18/43
- D544,528 S 6/2007 Kim
- D547,368 S 7/2007 Han
- D550,764 S 9/2007 Ishikawa et al.
- D550,765 S 9/2007 Ishikawa et al.
- D550,766 S 9/2007 Takagi
- D550,767 S 9/2007 Kishi
- D551,285 S 9/2007 Ishikawa et al.
- D551,286 S 9/2007 Han
- D552,671 S 10/2007 Uemura et al.
- D554,695 S 11/2007 Hori et al.
- D554,696 S 11/2007 Long
- D555,193 S 11/2007 Choi
- D555,717 S 11/2007 Batori et al.
- D555,718 S 11/2007 Miyabe et al.
- D565,094 S 3/2008 Sasaki et al.
- D566,169 S 4/2008 Ishikawa et al.
- D566,754 S 4/2008 Hayashi

(Continued)

(56) **References Cited**

U.S. PATENT DOCUMENTS

- D327,088 S 6/1992 Murase
- D354,980 S 1/1995 Nakajima et al.
- D374,250 S 10/1996 Yabuki et al.
- D377,662 S 1/1997 Ootani et al.
- D379,829 S 6/1997 Hayashi
- D394,450 S 5/1998 Katoh et al.
- D410,947 S 6/1999 Schwamkrug
- D422,304 S 4/2000 Suzuki et al.
- D423,559 S 4/2000 Suzuki et al.
- D433,441 S 11/2000 Yonekawa et al.
- D442,216 S 5/2001 Kimura et al.
- D471,228 S 3/2003 Okabe et al.
- D506,776 S 6/2005 Kobayashi et al.
- D507,296 S 7/2005 Ishii et al.
- D507,595 S 7/2005 Kobayashi et al.
- D507,596 S 7/2005 Kobayashi et al.
- D507,597 S 7/2005 Kobayashi et al.
- D507,809 S 7/2005 Kobayashi et al.
- D508,945 S 8/2005 Ishii et al.
- D510,947 S 10/2005 Ishii et al.
- D511,542 S 11/2005 Ishii et al.
- D512,092 S 11/2005 Kobayashi et al.
- D512,454 S 12/2005 Ishii et al.
- D522,564 S 6/2006 Ishii et al.
- D528,148 S 9/2006 Ishii et al.

Primary Examiner — Garth Rademaker

(74) *Attorney, Agent, or Firm* — Brinks Hofer Gilson & Lione

(57) **CLAIM**

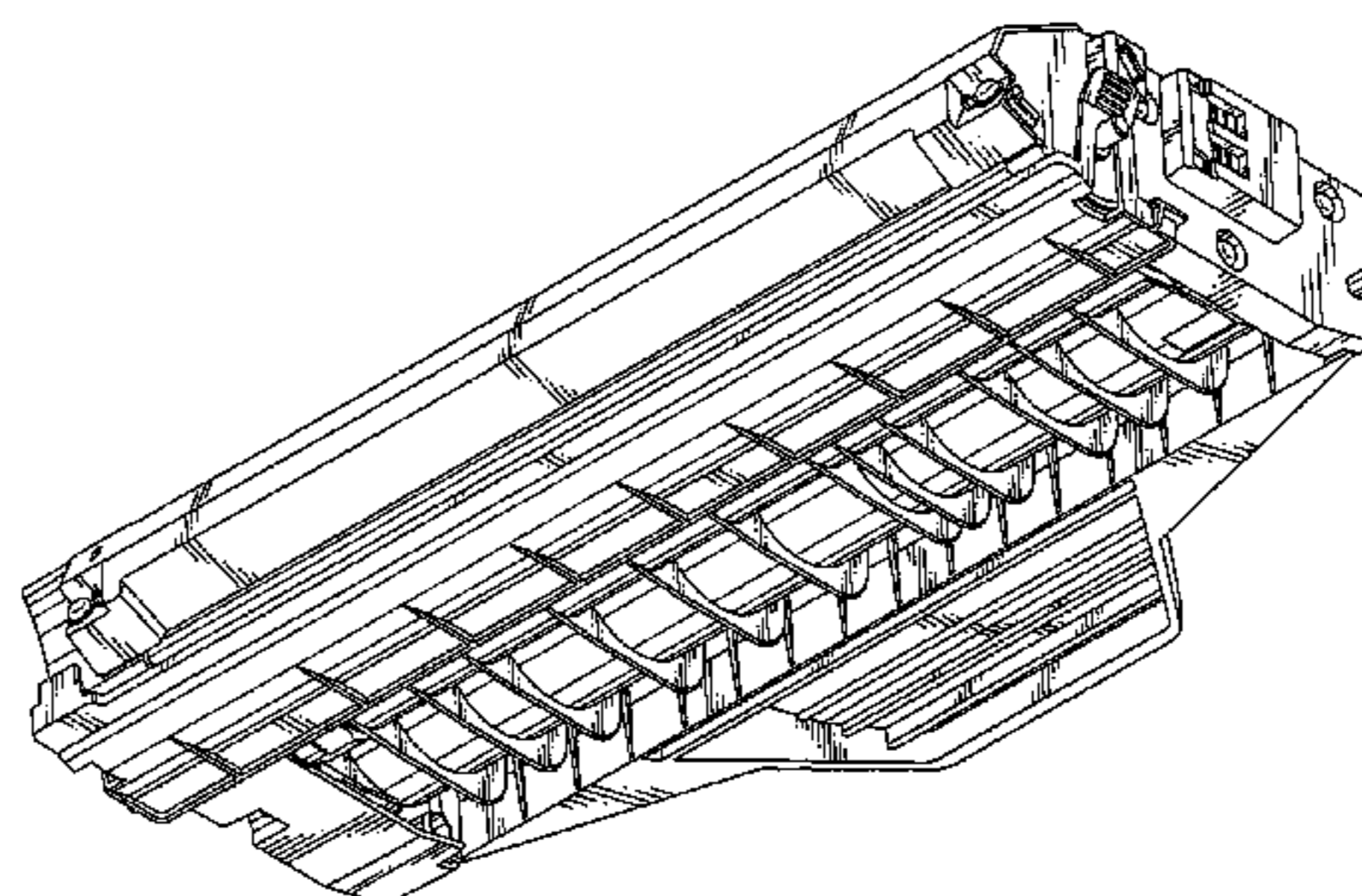
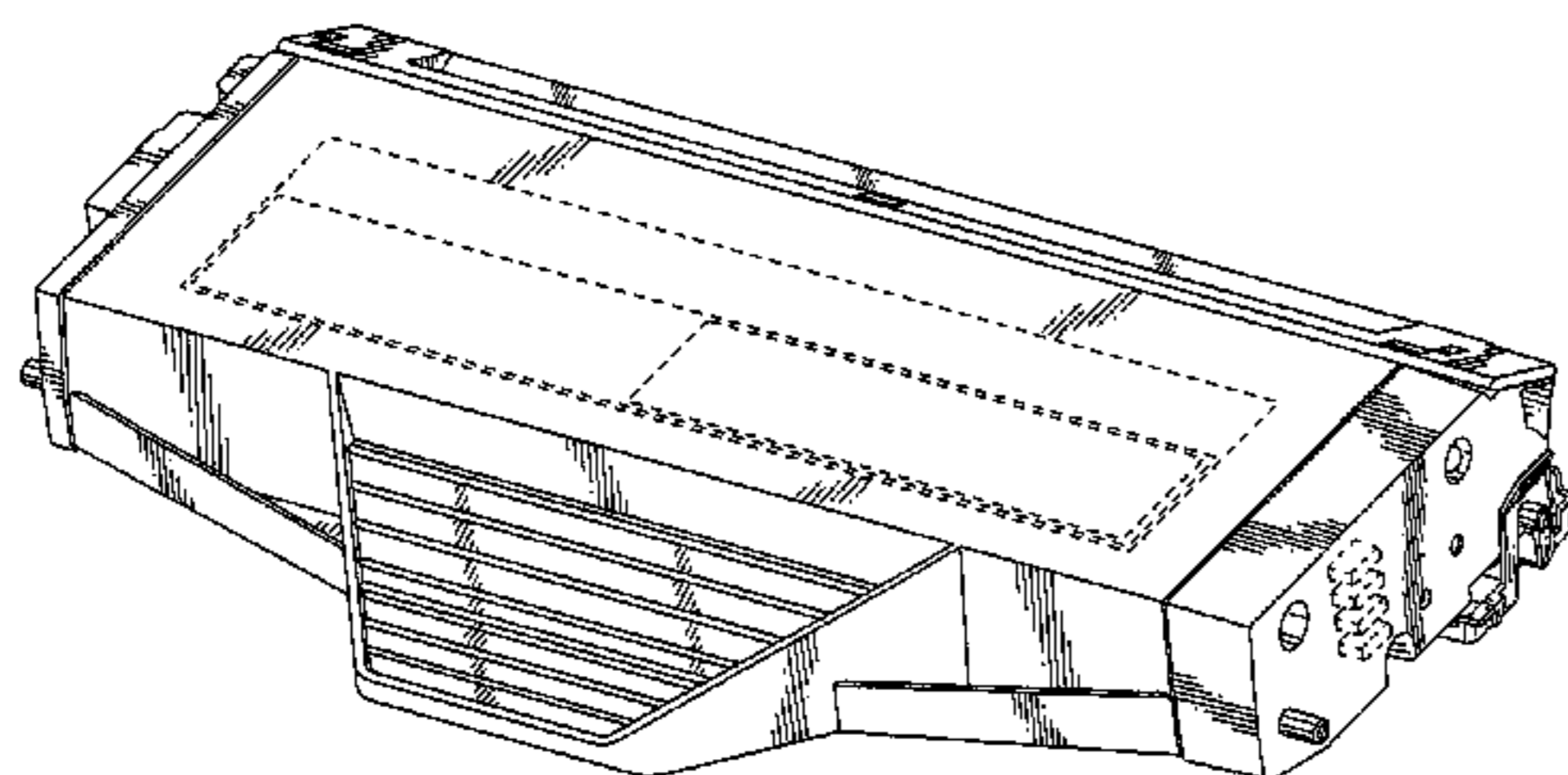
I claim The ornamental design for a process cartridge, as shown and described.

DESCRIPTION

FIG. 1 is a front perspective view of a first embodiment of a process cartridge of the present invention; FIG. 2 is a rear perspective view thereof; FIG. 3 is a front view thereof; FIG. 4 is a rear view thereof; FIG. 5 is a first side view thereof; FIG. 6 is a second side view thereof; FIG. 7 is a top view thereof; and, FIG. 8 is a bottom view thereof.

The broken lines depict environmental subject matter only and form no part of the claimed design.

1 Claim, 6 Drawing Sheets



US D668,289 S

Page 2

U.S. PATENT DOCUMENTS

D568,928 S	5/2008	Hori et al.	D594,507 S	6/2009	Kinoshita et al.	
D569,417 S	5/2008	Asakawa	D594,899 S	6/2009	Ogasawara et al.	
D570,904 S	6/2008	Uemura et al.	D594,900 S	6/2009	Ogasawara et al.	
D574,426 S	8/2008	Hori et al.	D595,342 S	6/2009	Nakamura et al.	
D574,882 S	8/2008	Saito et al.	D595,343 S	6/2009	Ishikawa et al.	
D576,667 S	9/2008	Yamagata et al.	D595,344 S	6/2009	Ishikawa	
D577,380 S	9/2008	Saito	D596,663 S	7/2009	Kamimura et al.	
D578,155 S	10/2008	Saito et al.	D597,129 S	7/2009	Tatsumi et al.	
D579,484 S	10/2008	Kamimura et al.	D597,592 S	8/2009	Kim	
D579,971 S	11/2008	Saito et al.	D597,593 S	8/2009	Jeon et al.	
D581,457 S	11/2008	Yoshino	D597,594 S	8/2009	Ito et al.	
D583,860 S	12/2008	Kubota et al.	D598,491 S	8/2009	Kusudo et al.	
D584,345 S	1/2009	Choi et al.	D598,950 S	8/2009	Kusudo et al.	
D584,765 S	1/2009	Park et al.	D599,846 S	9/2009	Yasui et al.	
D585,485 S	1/2009	Tanaka	D600,744 S	9/2009	Kim	
D586,847 S	2/2009	Han	D601,183 S	9/2009	Ishikawa et al.	
D587,303 S	2/2009	Park	D601,184 S	9/2009	Ogasawara et al.	
D588,190 S	3/2009	Kamimura et al.	D603,450 S	11/2009	Tatsumi et al.	
D588,191 S	3/2009	Baek et al.	D614,691 S	4/2010	Abe et al.	
D588,631 S	3/2009	Nakamura et al.	D619,644 S	7/2010	Houman et al.	
D588,633 S	3/2009	Oda et al.	D636,433 S *	4/2011	Kim	D18/43
D589,551 S	3/2009	Han	D636,434 S *	4/2011	Kim	D18/43
D590,011 S	4/2009	Tatsumi et al.	D652,862 S *	1/2012	Mori et al.	D18/43
D590,012 S	4/2009	Tatsumi et al.	2006/0045563 A1 *	3/2006	Kim et al.	399/103
D591,338 S	4/2009	Kusudo et al.				

* cited by examiner

FIG. 1

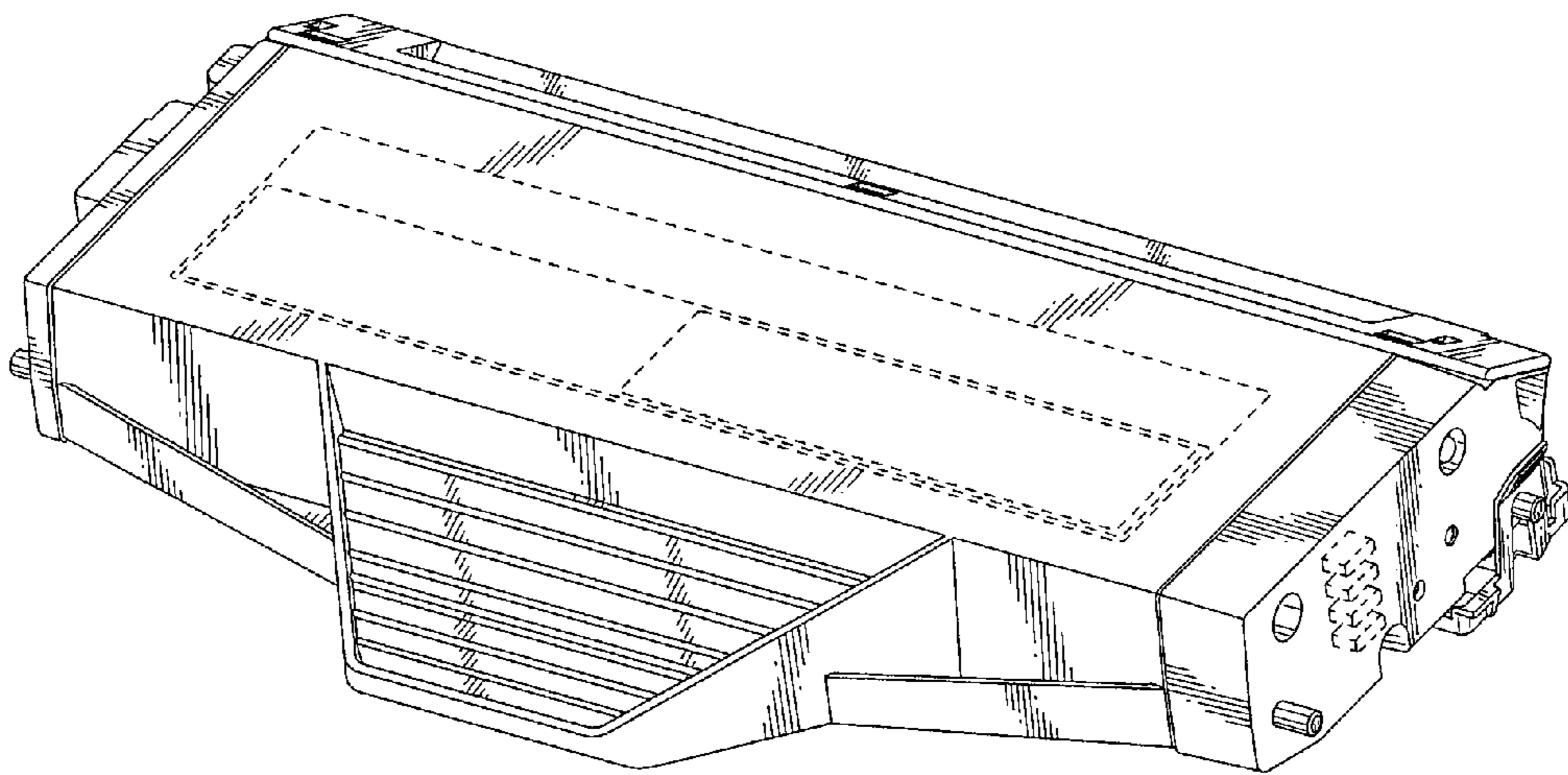


FIG.2

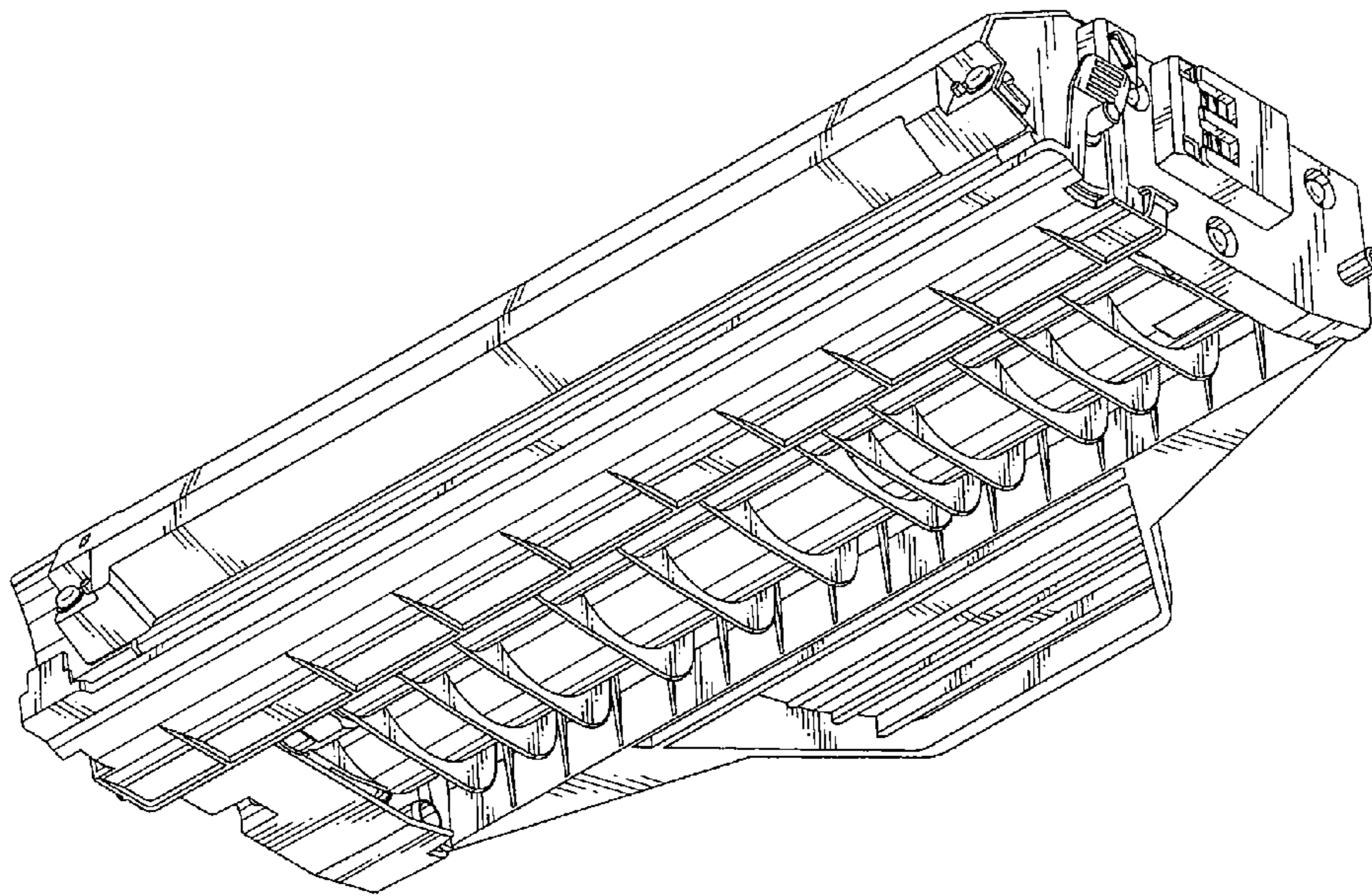


FIG.3

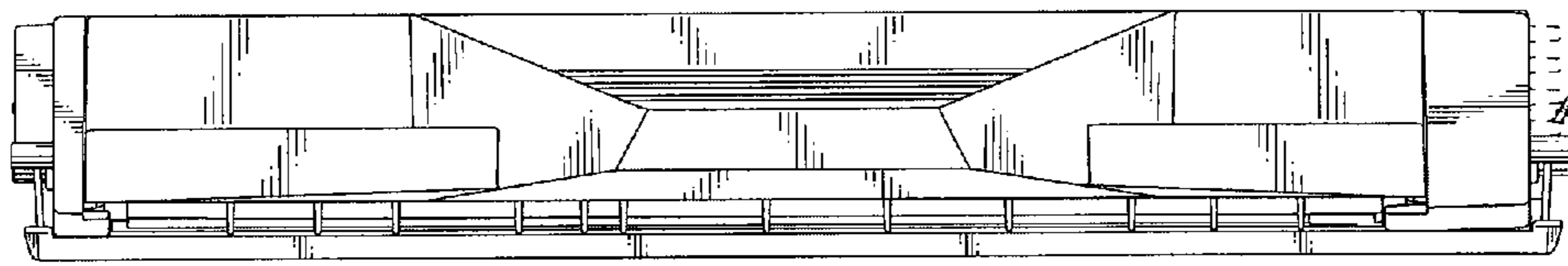


FIG.4

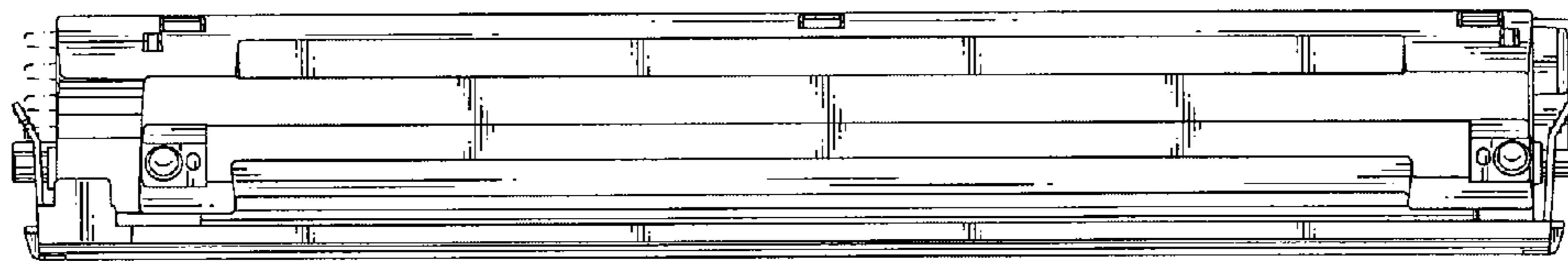


FIG.5

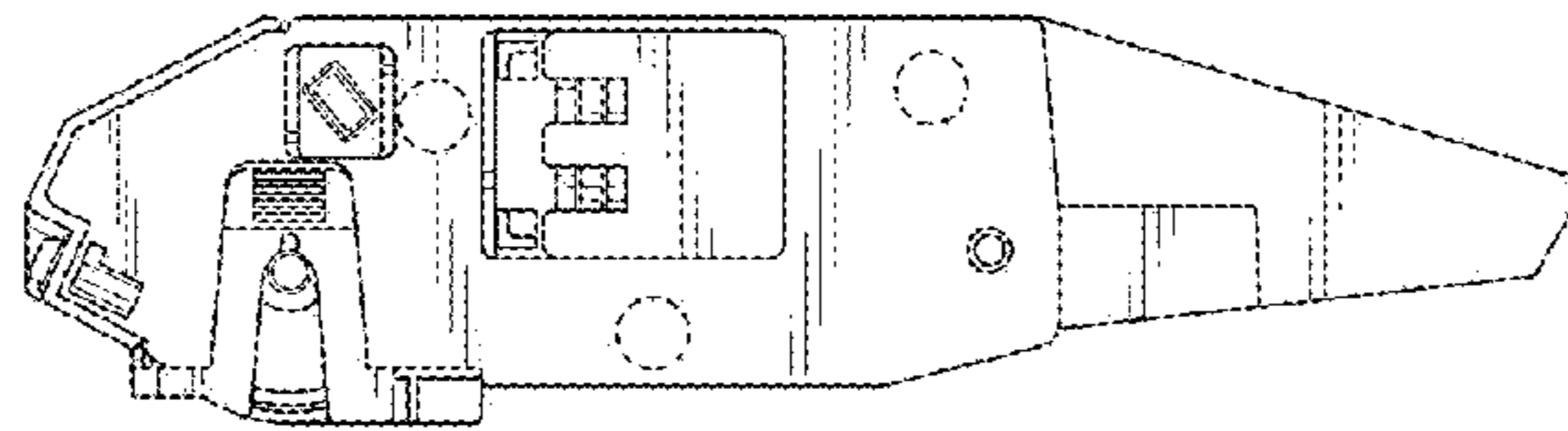


FIG.6

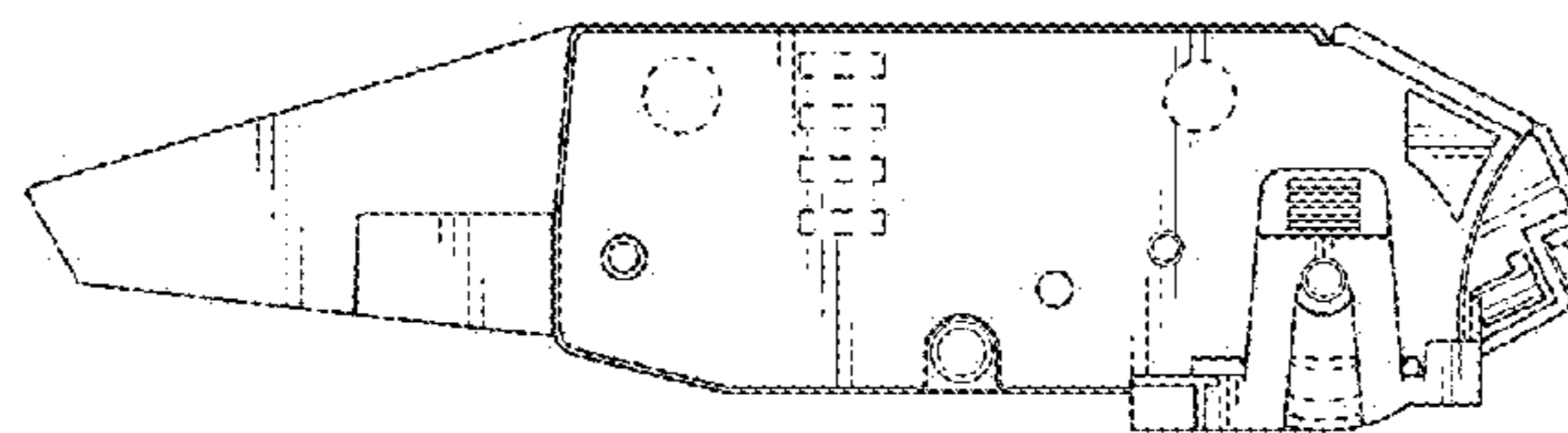


FIG. 7

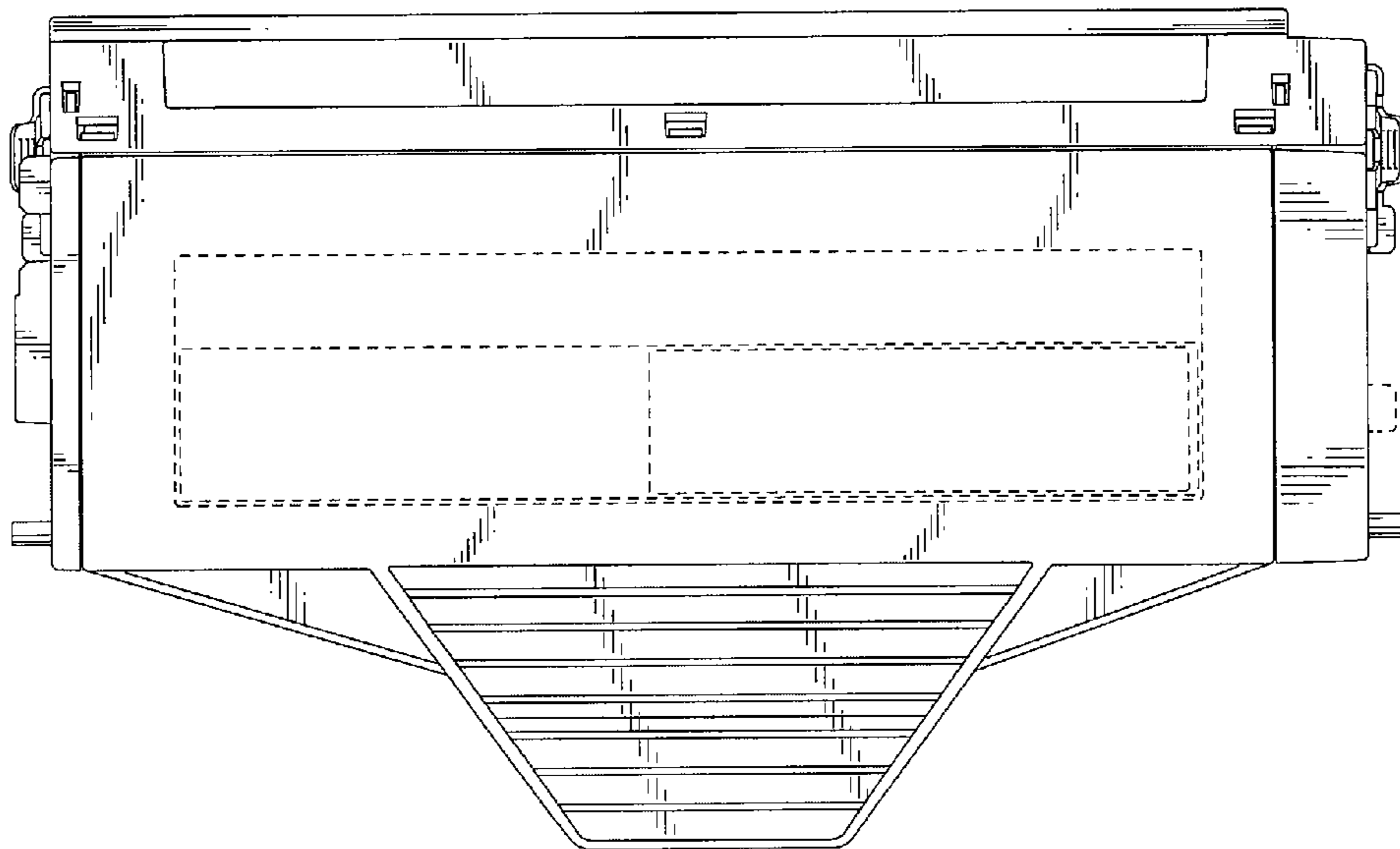


FIG.8

