

US00D668288S

(12) **United States Design Patent**
Chiang

(10) **Patent No.:** **US D668,288 S**
(45) **Date of Patent:** **** Oct. 2, 2012**

- (54) **BOOKBINDING MACHINE**
- (75) Inventor: **Chou-Chih Chiang**, Taichung (TW)
- (73) Assignee: **Innostar Technology Pte Ltd**, Hume (SG)
- (**) Term: **14 Years**
- (21) Appl. No.: **29/401,566**
- (22) Filed: **Sep. 12, 2011**
- (51) **LOC (9) Cl.** **18-04**
- (52) **U.S. Cl.** **D18/34.1**
- (58) **Field of Classification Search** D18/34.1,
D18/34.2, 34.9, 50, 53; D19/65-69; 156/908;
412/9, 33-43
See application file for complete search history.

7,584,878	B2 *	9/2009	Kandasamy	227/120
D628,235	S *	11/2010	Huotari et al.	D18/34.1
D636,432	S *	4/2011	Huotari et al.	D18/34.1
D643,463	S *	8/2011	Sakurai	D18/53
2003/0185654	A1 *	10/2003	Rathert	412/37
2003/0215309	A1 *	11/2003	Engert et al.	412/33

FOREIGN PATENT DOCUMENTS

EM 001913518-0001 * 9/2011
* cited by examiner

Primary Examiner — Bridget L Eland
(74) *Attorney, Agent, or Firm* — Chun-Ming Shih

(57) **CLAIM**
The ornamental design for a bookbinding machine, as shown.

DESCRIPTION

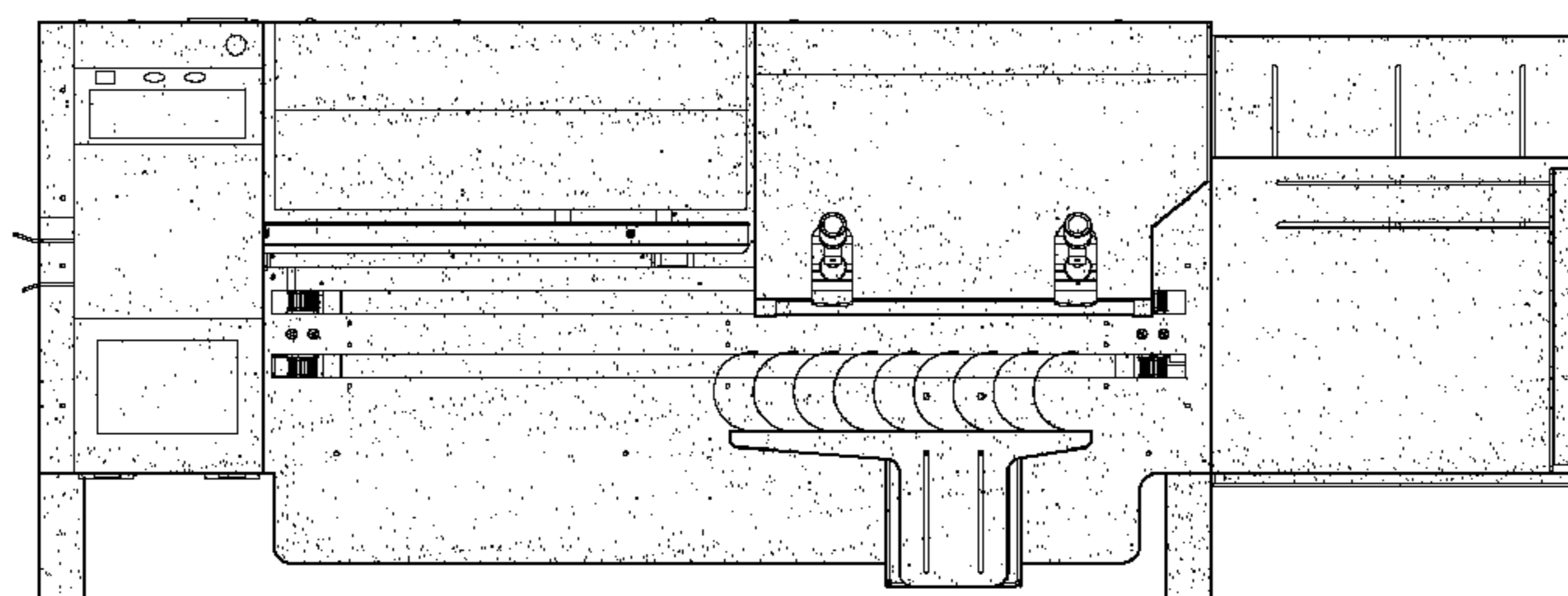
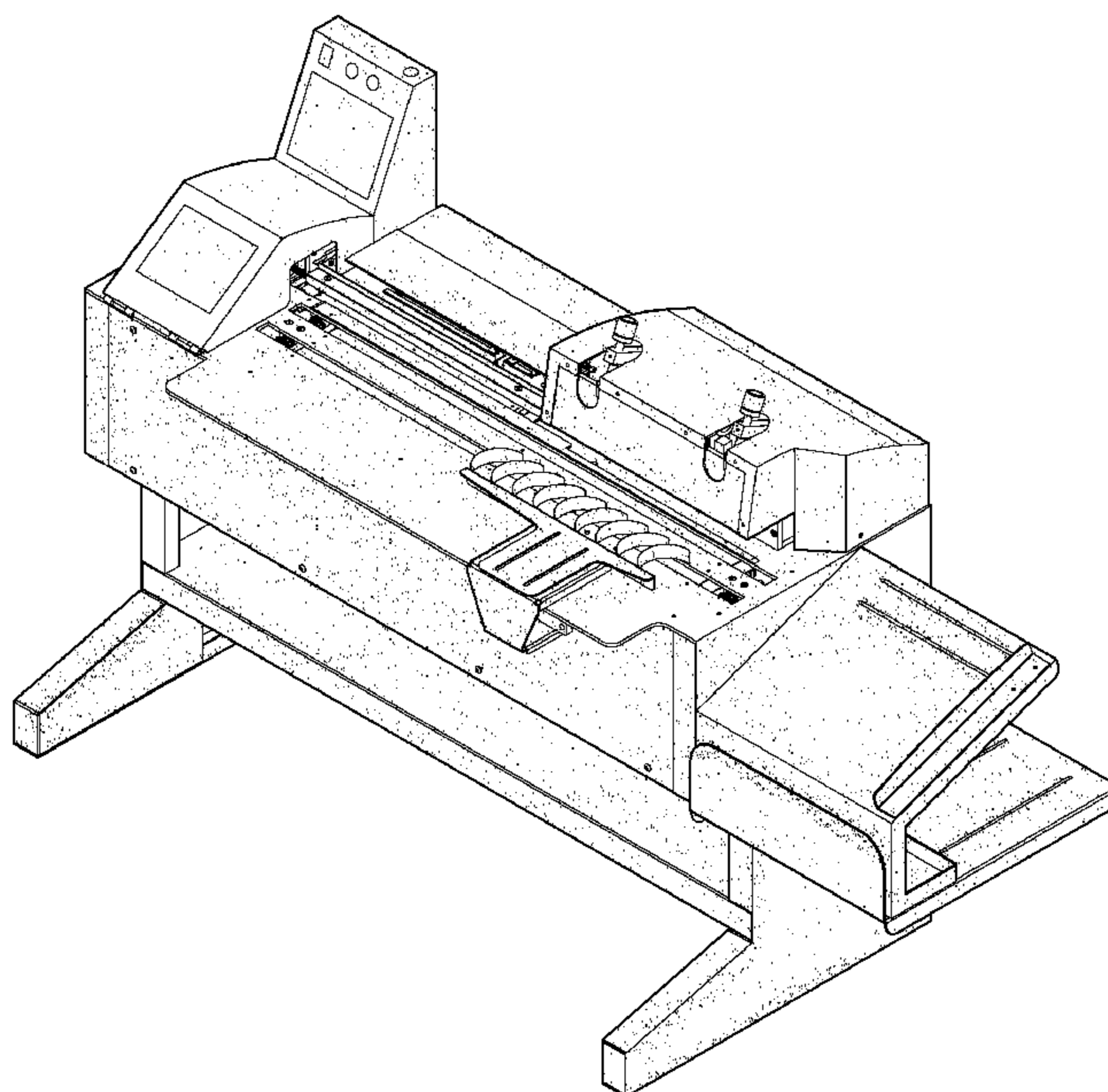
FIG. 1 is a front right perspective view of a bookbinding machine showing my new design;
FIG. 2 is a front elevation view thereof;
FIG. 3 is a rear elevation view thereof;
FIG. 4 is a left side elevation view thereof;
FIG. 5 is a right side elevation view thereof;
FIG. 6 is a top plan view thereof;
FIG. 7 is a bottom plan view thereof;
FIG. 8 is a front left perspective view thereof;
FIG. 9 is a rear left perspective view thereof; and,
FIG. 10 is a rear right perspective view thereof.

1 Claim, 10 Drawing Sheets

(56) **References Cited**

U.S. PATENT DOCUMENTS

3,879,783	A *	4/1975	Giulie	412/43
D261,530	S *	10/1981	Hausmann	D18/34.2
D284,870	S *	7/1986	Terracciano	D18/34.2
D407,740	S *	4/1999	Ina et al.	D18/53
D464,080	S *	10/2002	Yamano et al.	D18/53
D529,545	S *	10/2006	Kimura et al.	D18/53
7,393,171	B2 *	7/2008	Fu	412/5



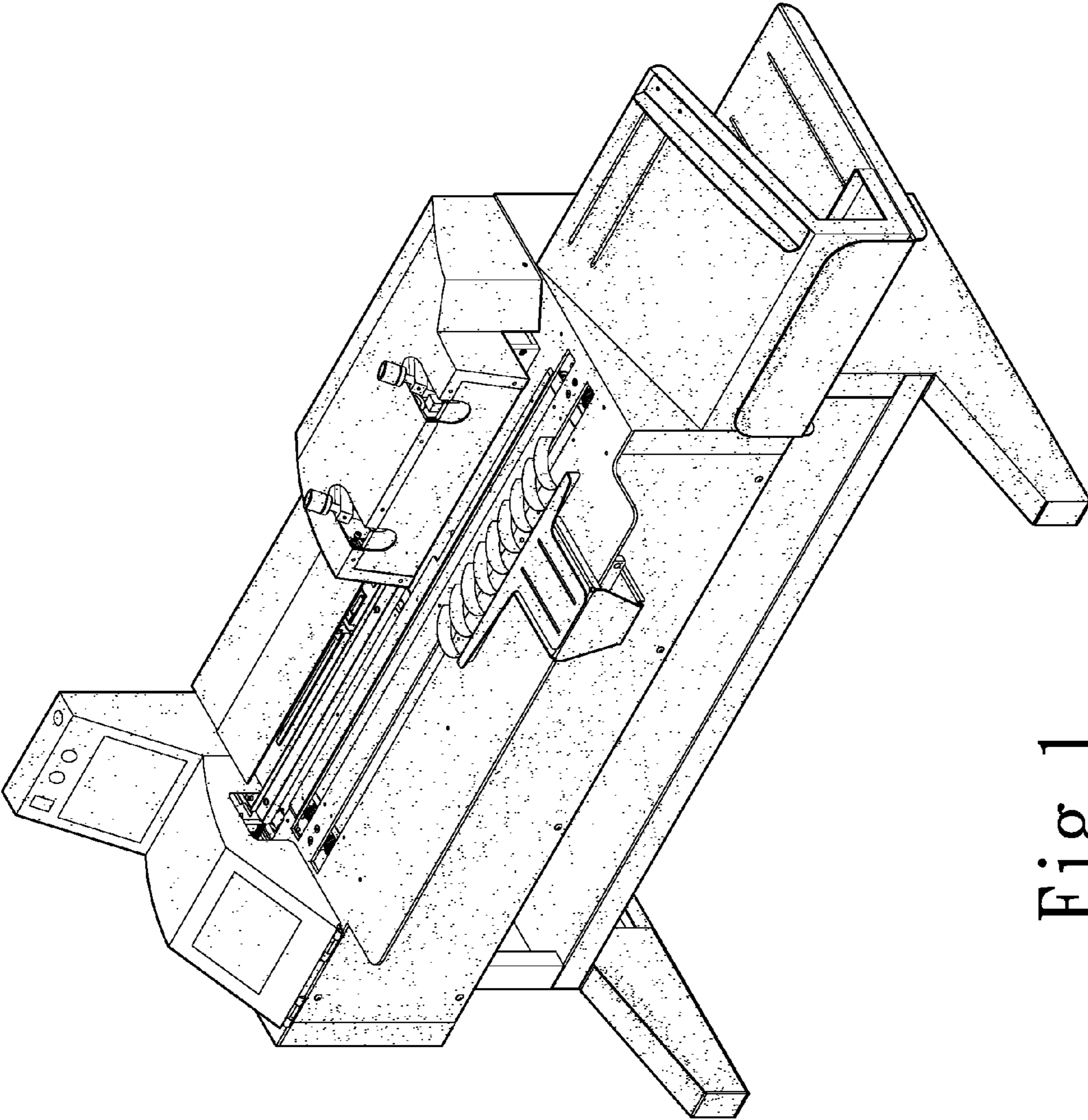


Fig. 1

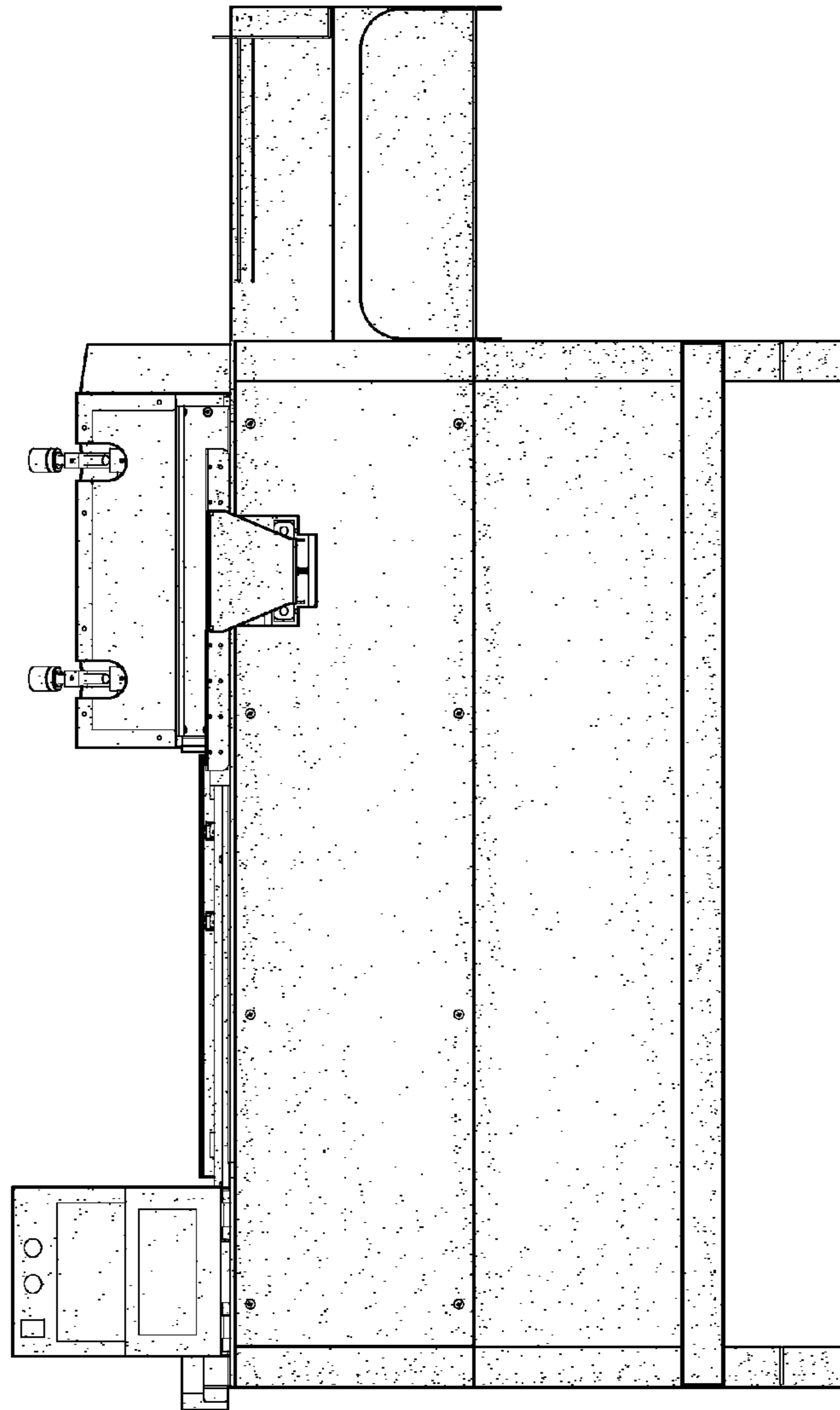


Fig. 2

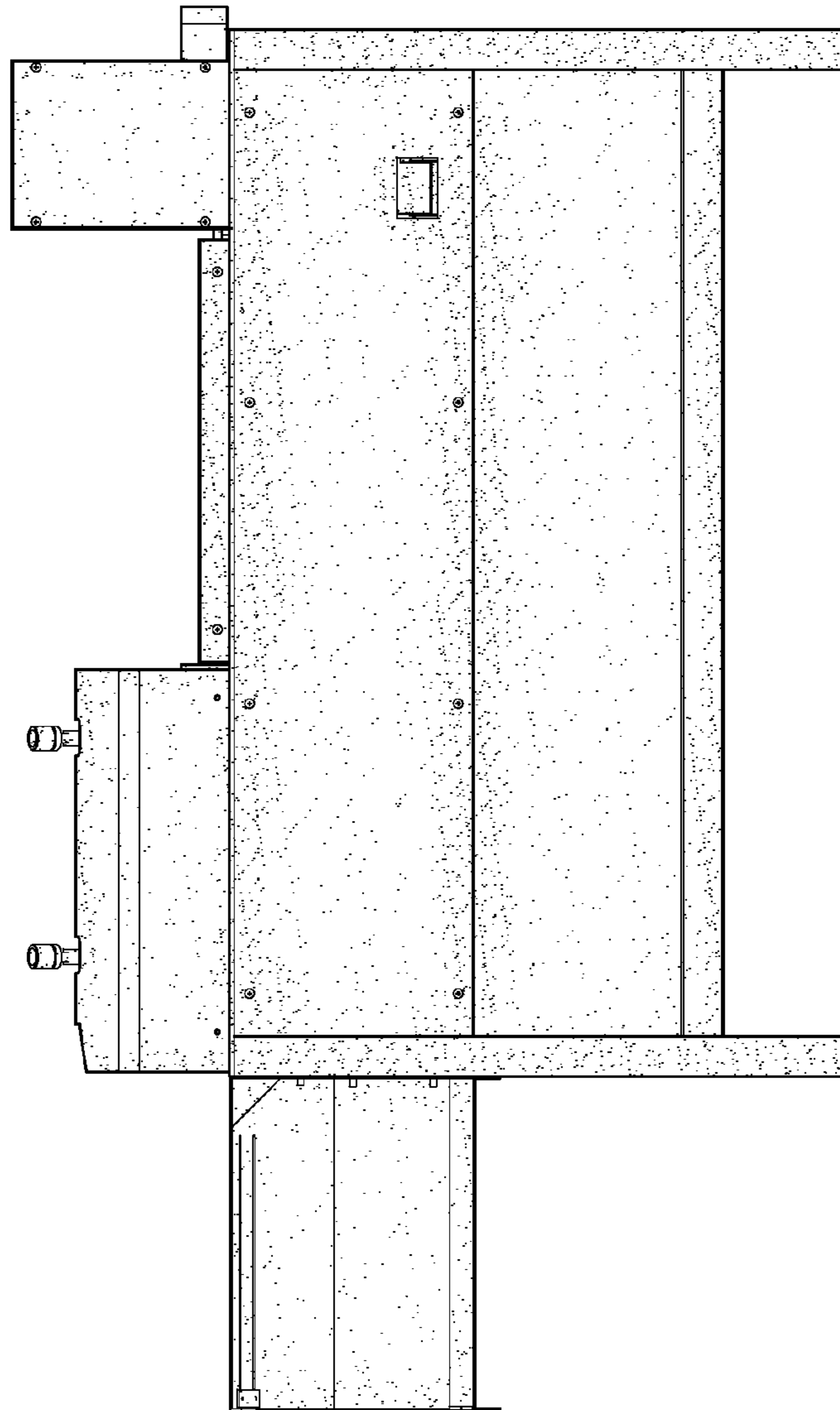


Fig. 3

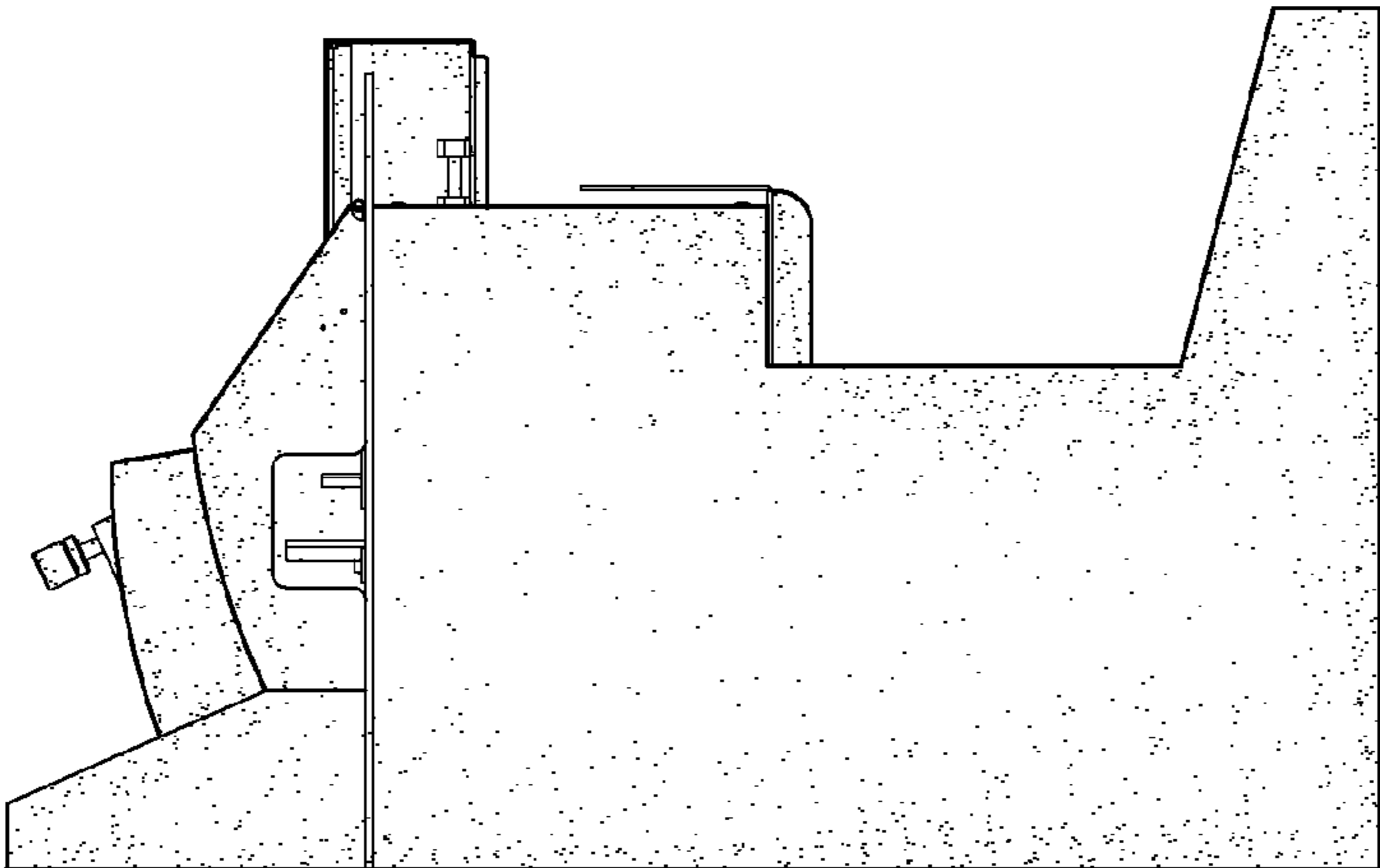


Fig. 4

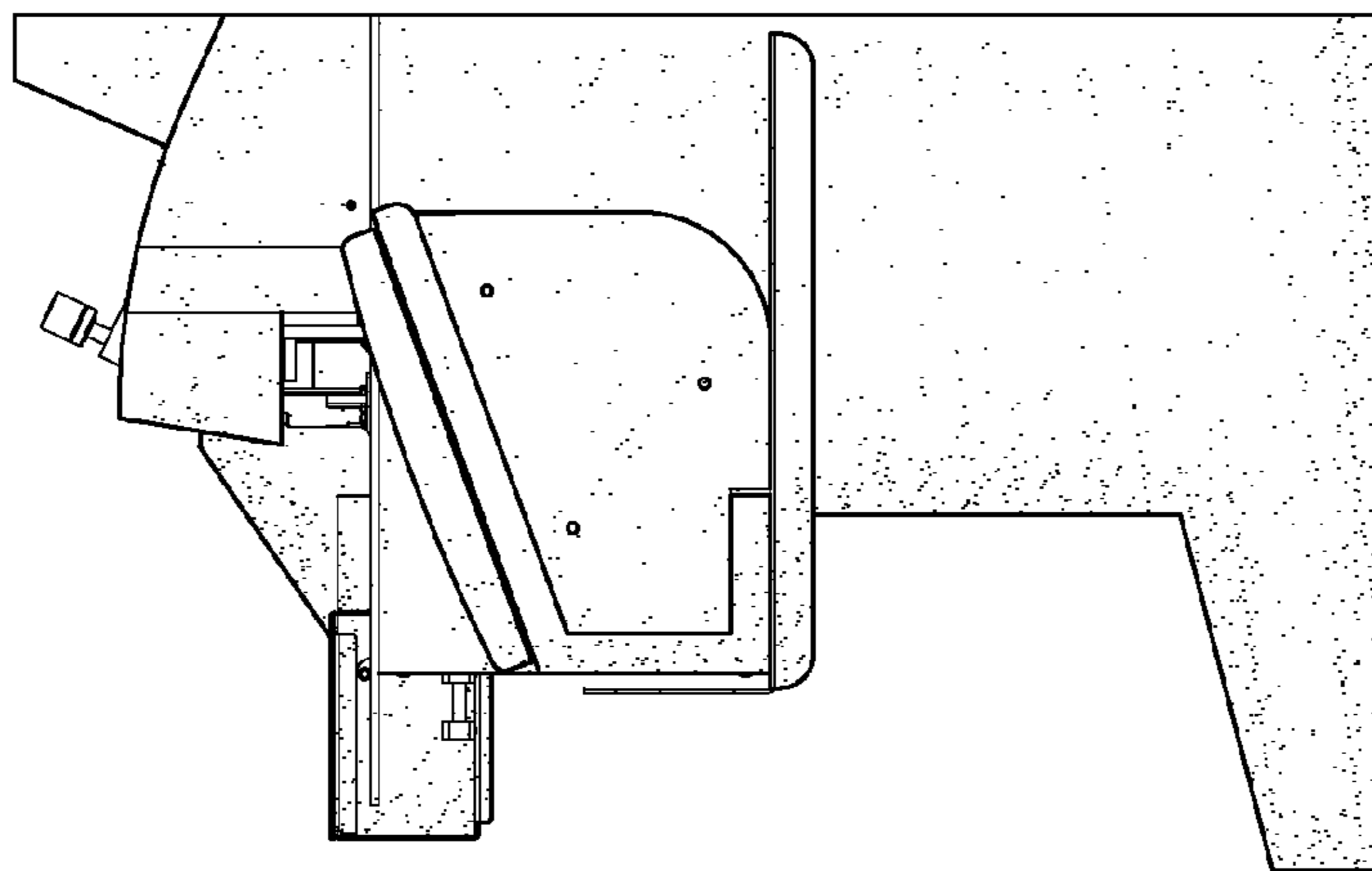


Fig. 5

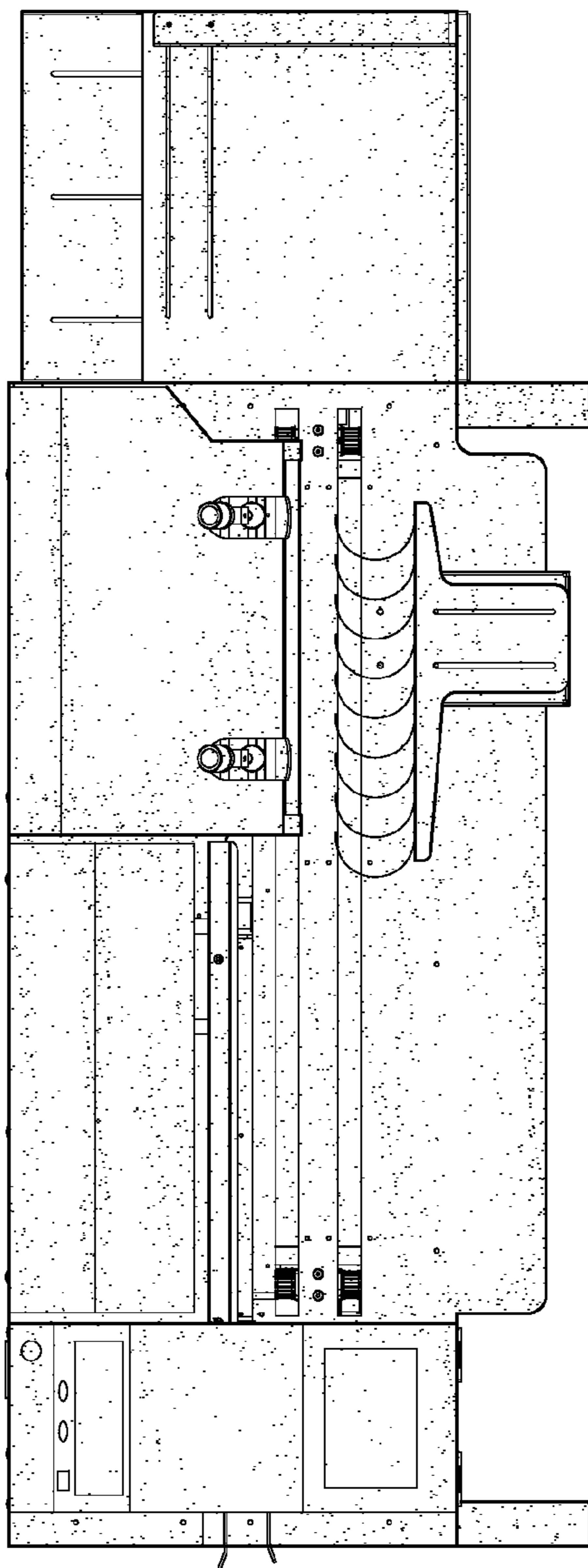


Fig. 6

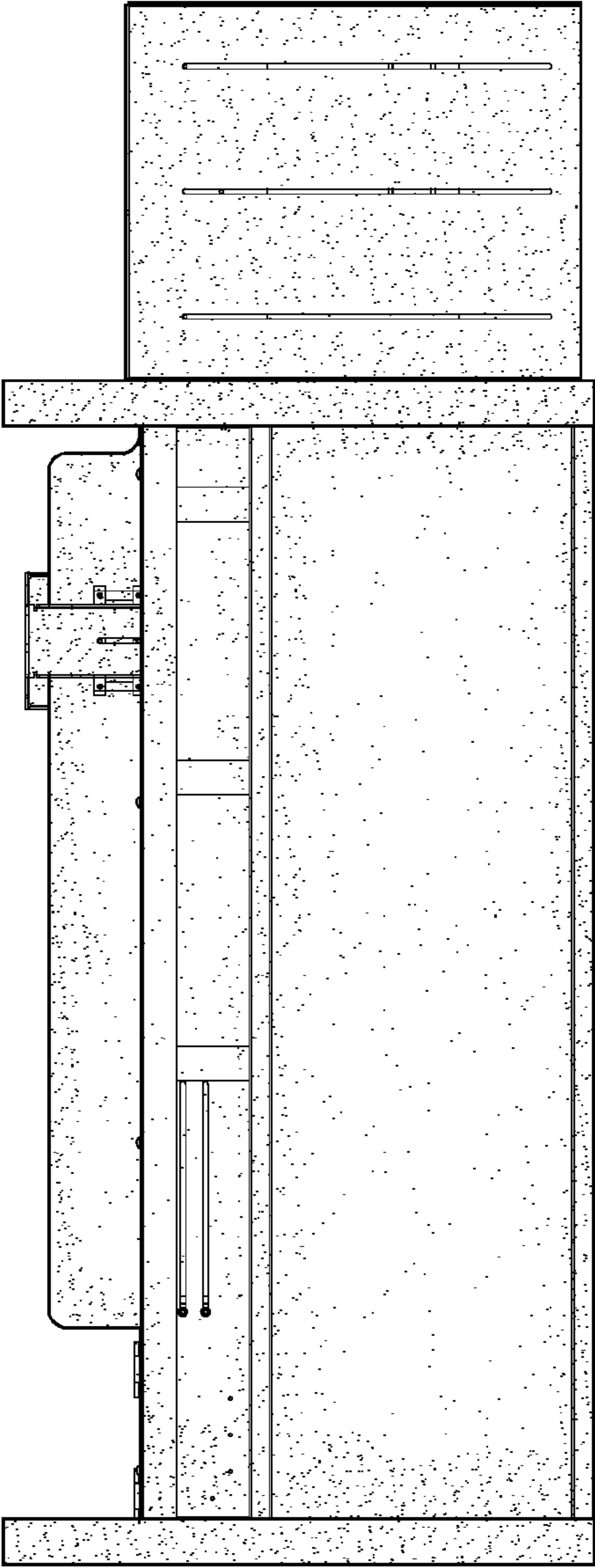


Fig. 7

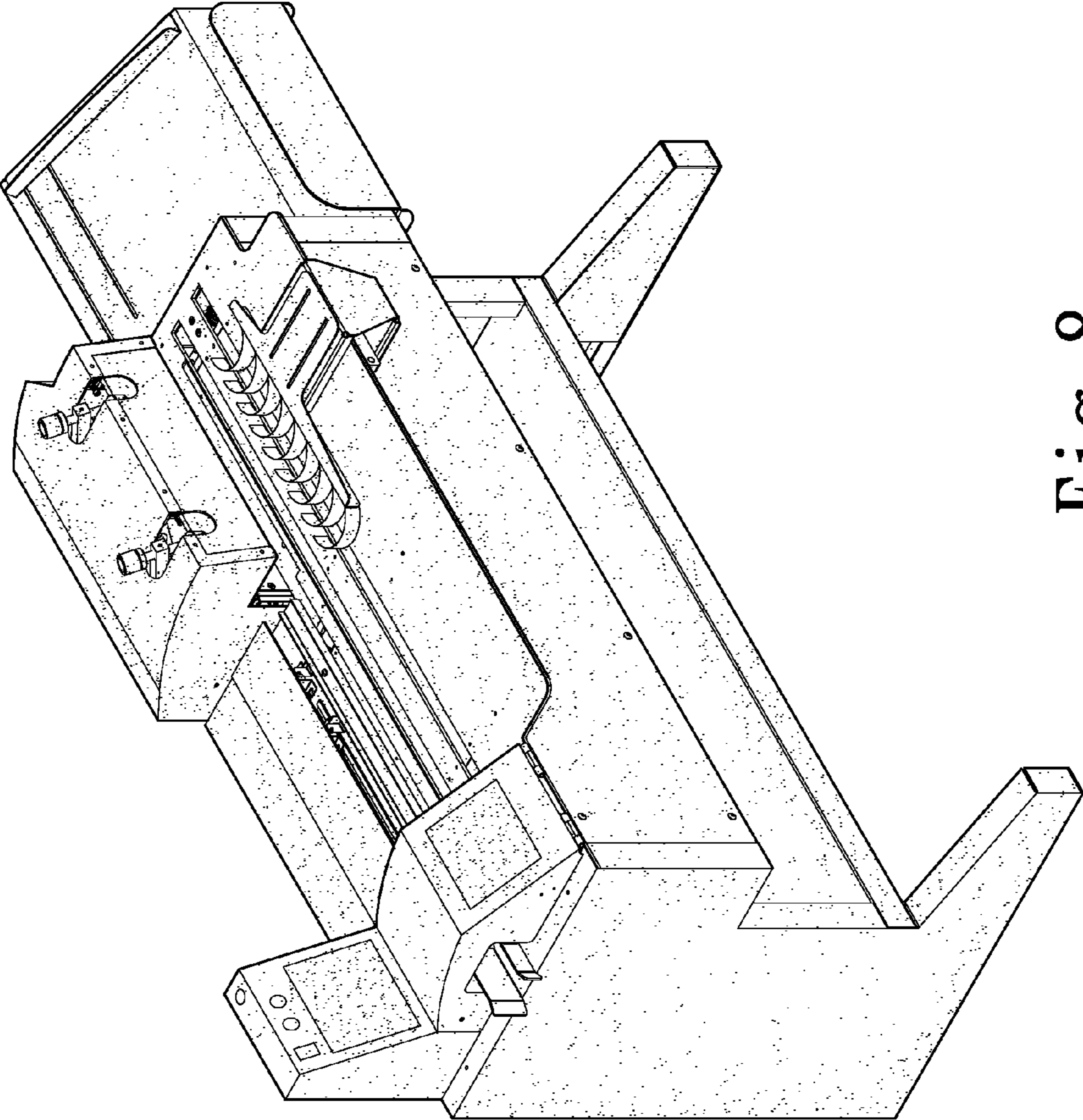


Fig. 8

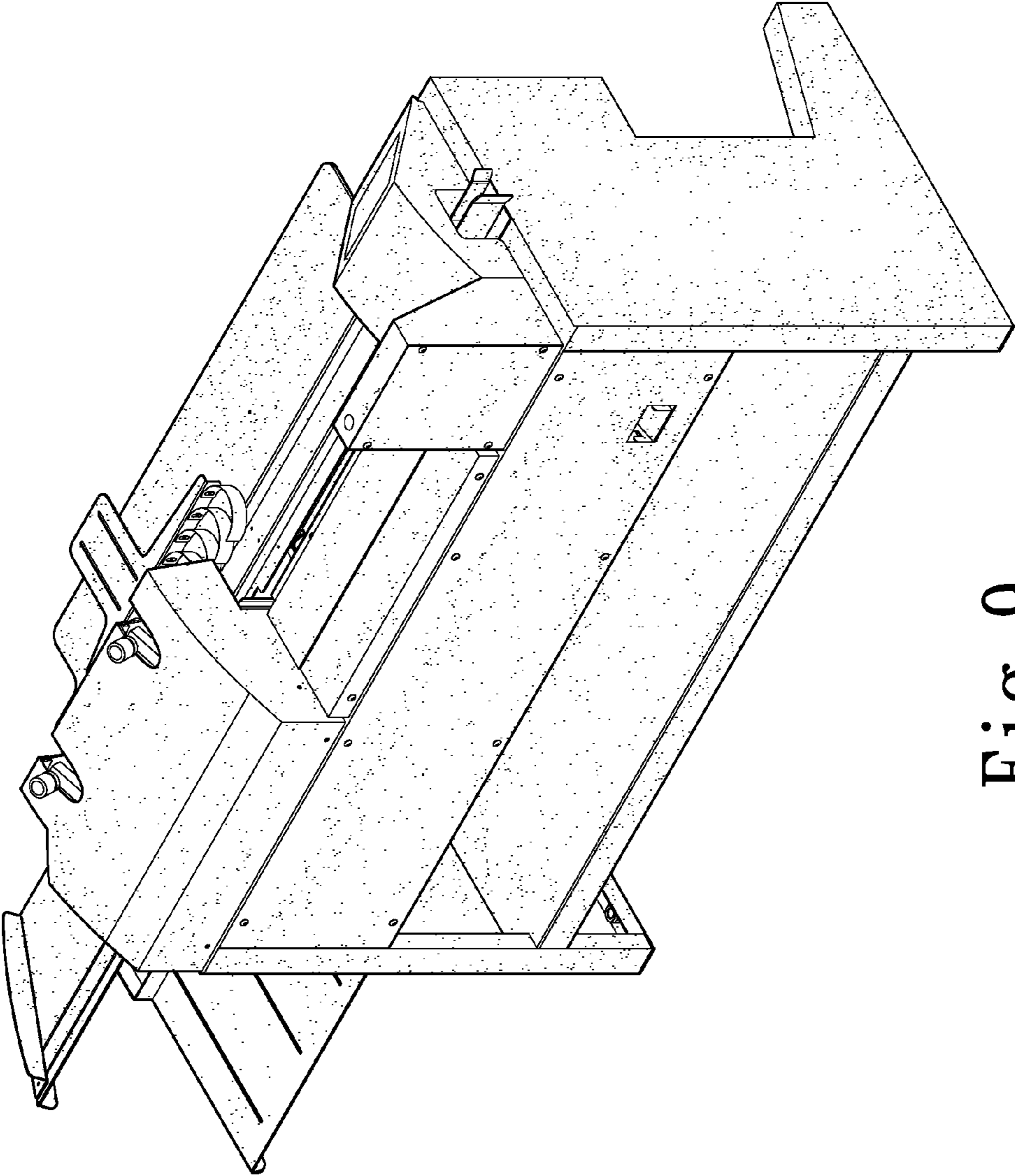


Fig. 9

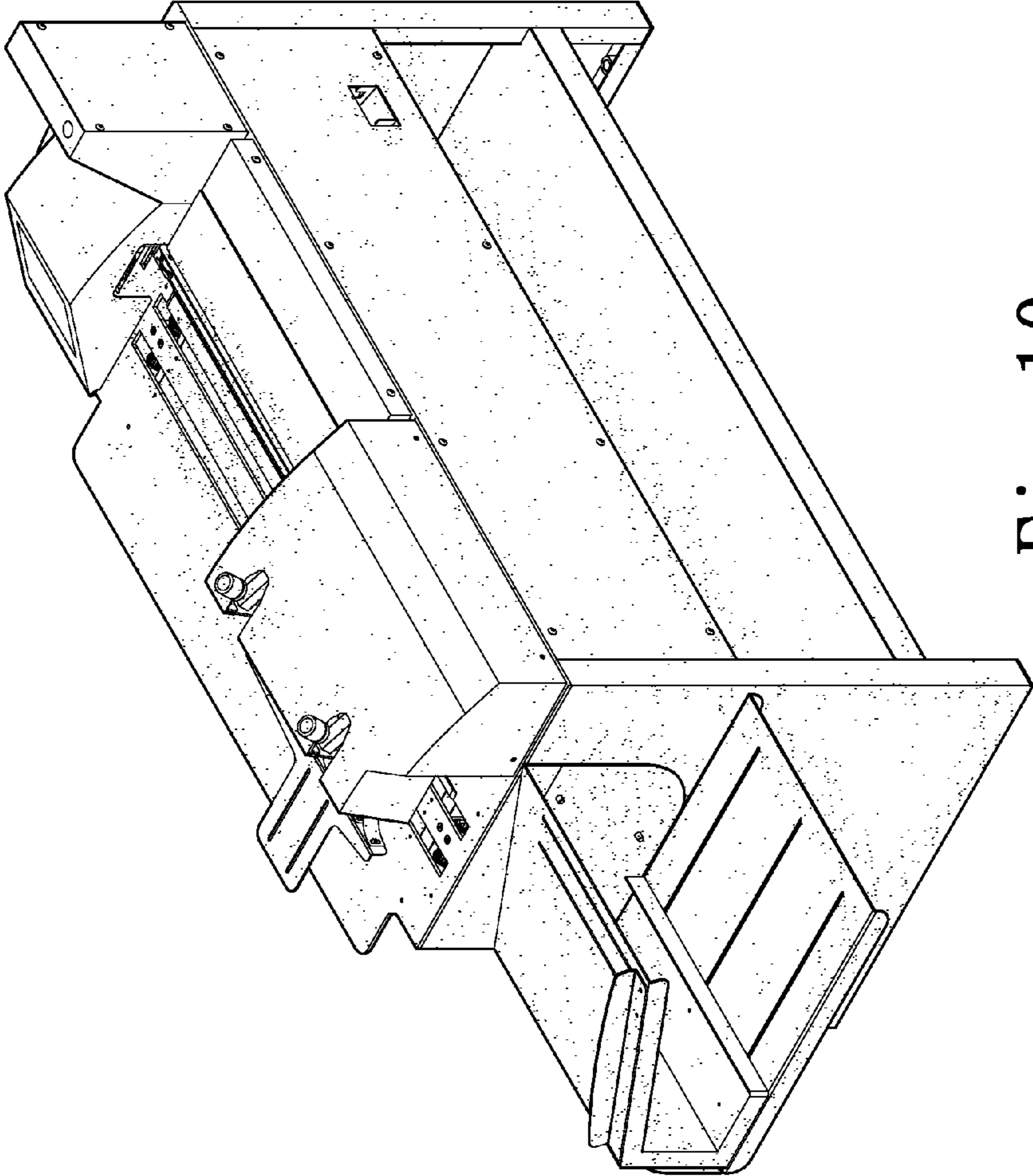


Fig. 10