



US00D668285S

(12) **United States Design Patent**
Sakamoto

(10) **Patent No.:** **US D668,285 S**

(45) **Date of Patent:** **** Oct. 2, 2012**

(54) **CEILING MOUNT ADAPTER FOR VIDEO PROJECTOR**

(75) Inventor: **Harumi Sakamoto**, Osaka (JP)

(73) Assignee: **Sharp Kabushiki Kaisha**, Osaka (JP)

(**) Term: **14 Years**

(21) Appl. No.: **29/386,366**

(22) Filed: **Feb. 28, 2011**

(30) **Foreign Application Priority Data**

Sep. 7, 2010 (JP) 2010-021599

(51) **LOC (9) Cl.** **16-02**

(52) **U.S. Cl.** **D16/235**

(58) **Field of Classification Search** D16/221,
D16/225, 230, 235, 237, 242; D8/355, 373,
D8/380; D14/451-452, 251; 353/119, 122;
248/205.1, 274.1, 284.1, 317, 323-324, 343,
248/371, 495-496, 514, 519, 551, 589, 917-918
See application file for complete search history.

(56) **References Cited**

U.S. PATENT DOCUMENTS

6,042,068	A *	3/2000	Tcherny	248/317
6,988,698	B2 *	1/2006	O'Neill	248/323
7,156,359	B2 *	1/2007	Dittmer et al.	248/917
7,300,248	B2 *	11/2007	Wang	416/5
D570,394	S *	6/2008	Dittmer et al.	D16/235
7,481,410	B2 *	1/2009	Umberg	248/551
7,497,412	B2 *	3/2009	Dittmer et al.	248/514
D625,750	S *	10/2010	Dittmer	D16/235
7,942,375	B2 *	5/2011	Dozier et al.	248/324

8,033,519	B2 *	10/2011	David	248/324
2006/0284046	A1 *	12/2006	Umberg	248/317
2007/0002289	A1 *	1/2007	Oh	353/119

* cited by examiner

Primary Examiner — Wan Laymon

(74) *Attorney, Agent, or Firm* — Nixon & Vanderhye, P.C.

(57) **CLAIM**

The ornamental design for “ceiling mount adapter for video projector,” as shown and described.

DESCRIPTION

FIG. 1 is a top, left front perspective view of a ceiling mount adapter for video projector in accordance with my new design;

FIG. 2 is a front elevation view thereof;

FIG. 3 is a rear elevation view thereof;

FIG. 4 is a top plan view thereof;

FIG. 5 is a bottom plan view thereof;

FIG. 6 is a right side elevation view thereof;

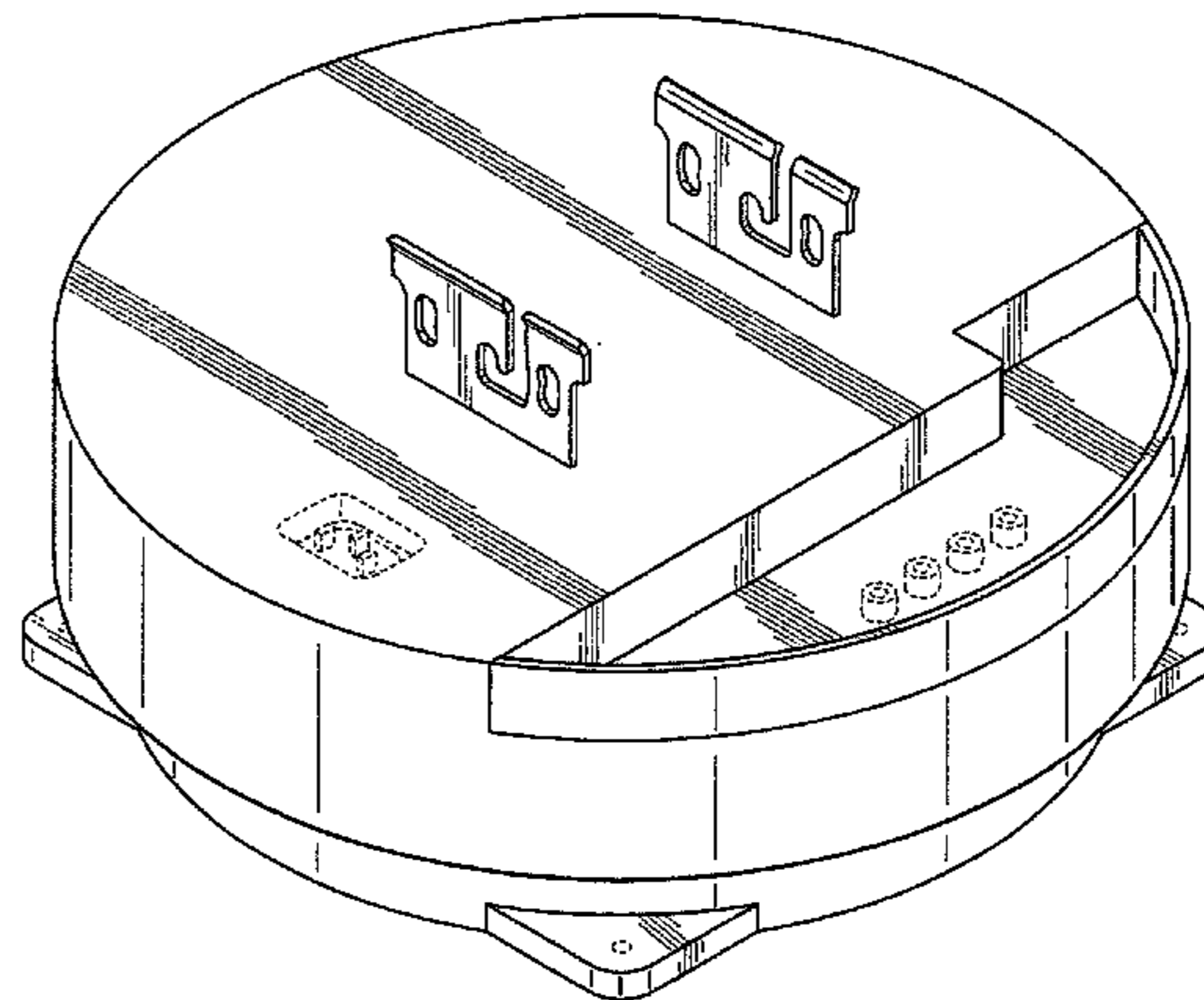
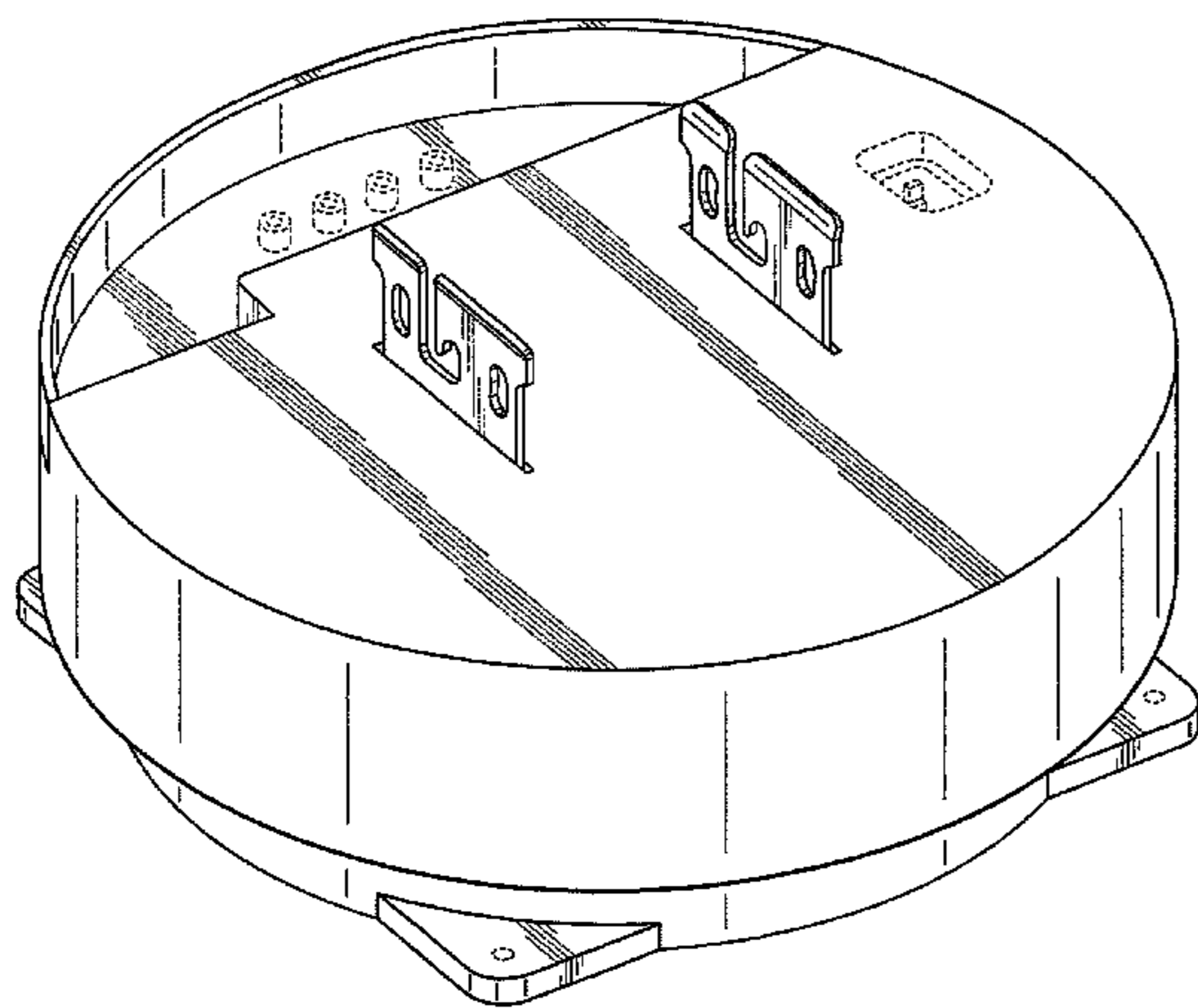
FIG. 7 is a left side elevation view thereof;

FIG. 8 is a top, right rear perspective view thereof; and,

FIG. 9 is a reference view showing one possible state of use for the ceiling mount adapter for video projector in accordance with my new design.

Subject matter shown in FIGS. 1, 4-5 and 8 in dashed lines are for illustrative purpose only and forms no part of the claimed design. The broken lines showing the projector, the mounting member, and ceiling in FIG. 9 are for environmental purposes only and form no part of the claimed design.

1 Claim, 9 Drawing Sheets



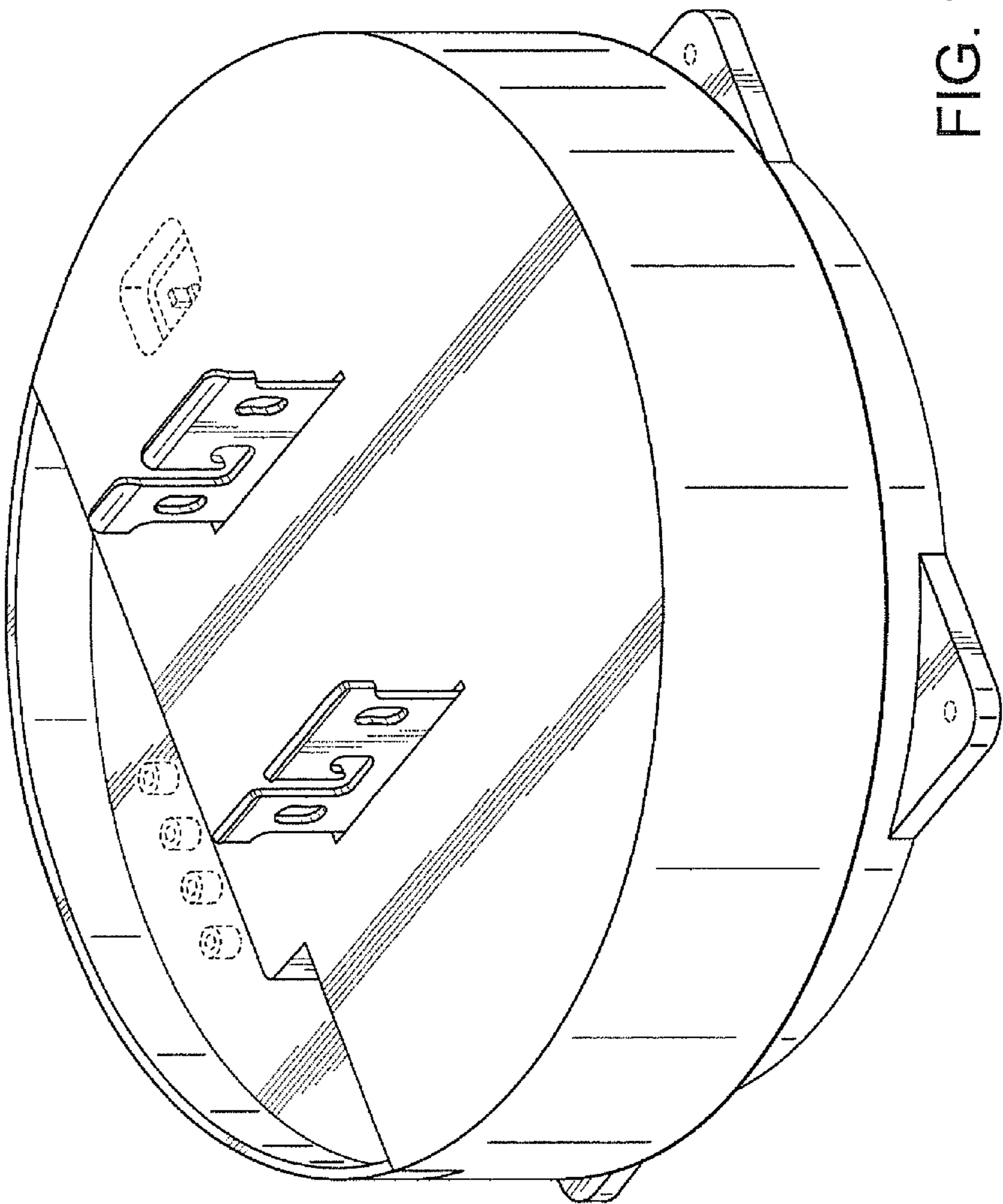


FIG. 1

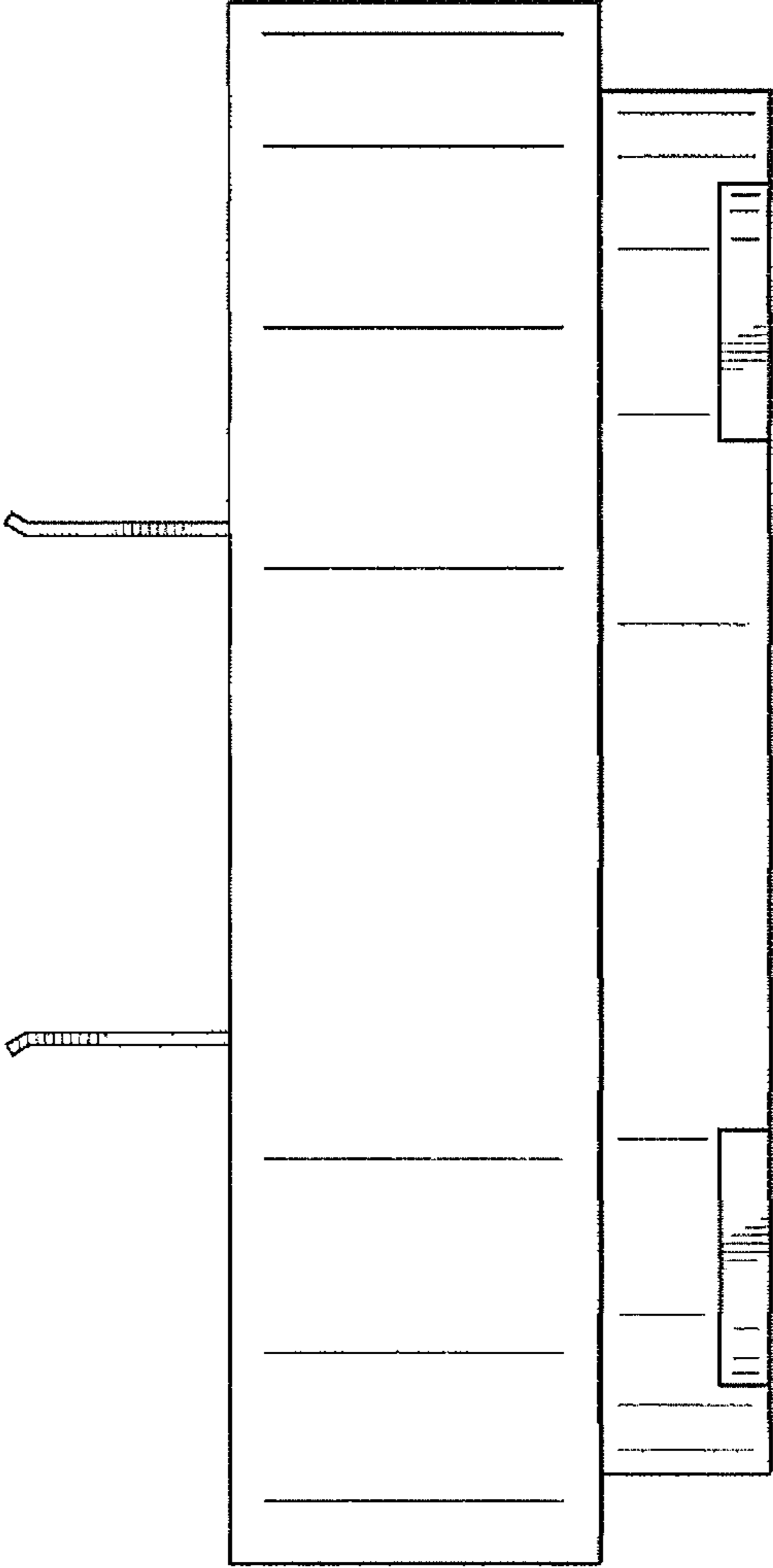


FIG. 2

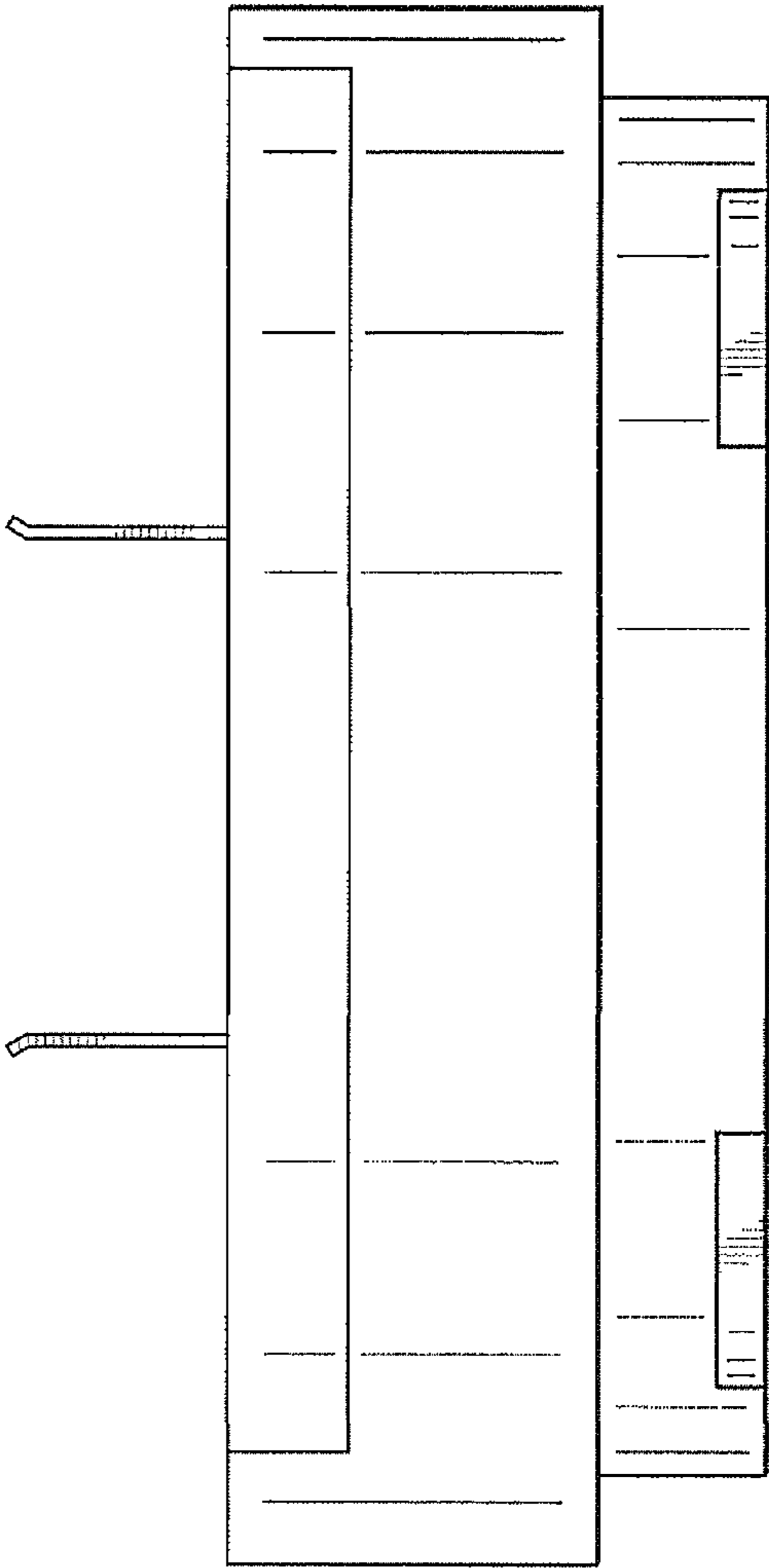
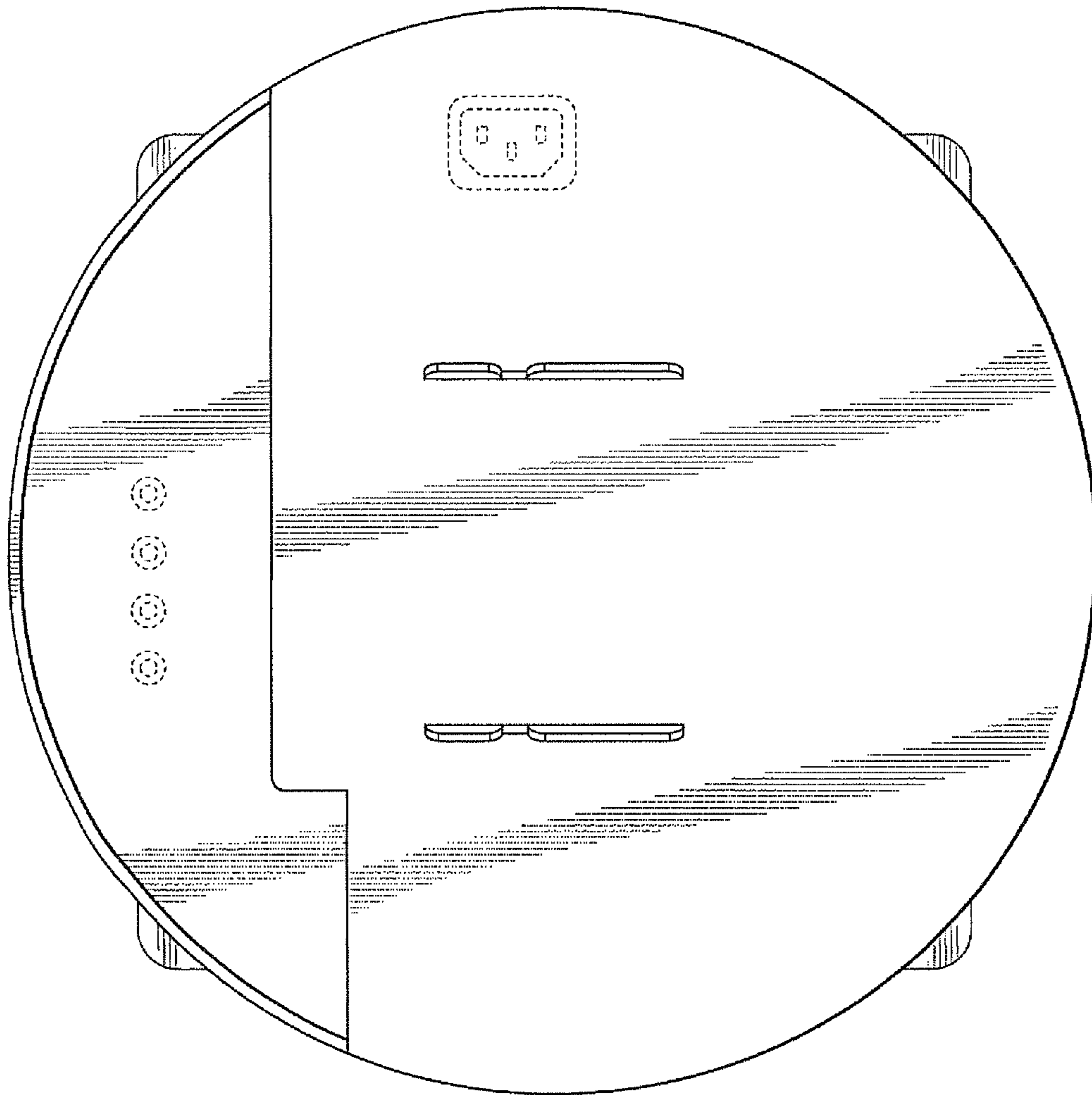


FIG. 3

FIG. 4



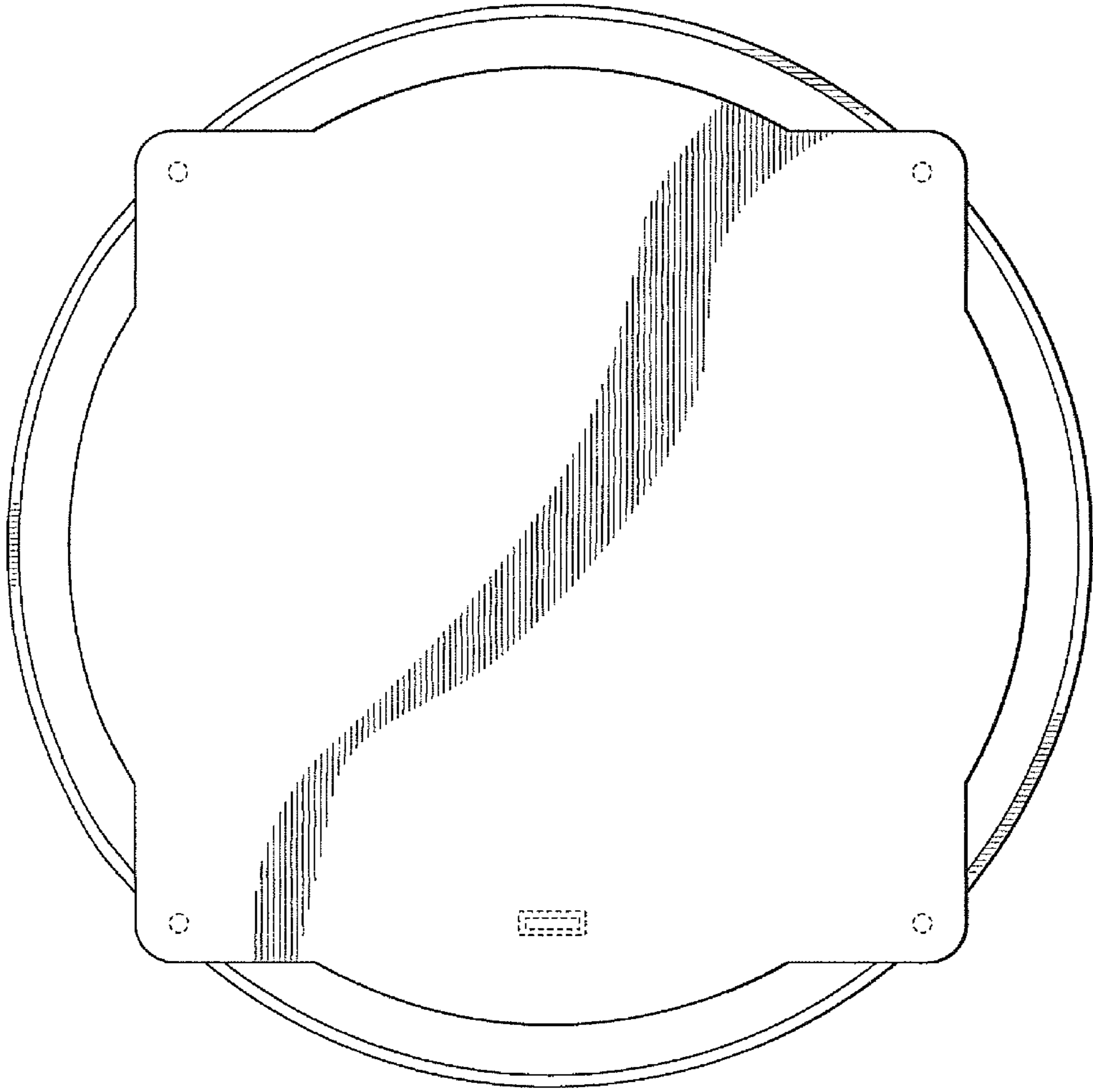


FIG. 5

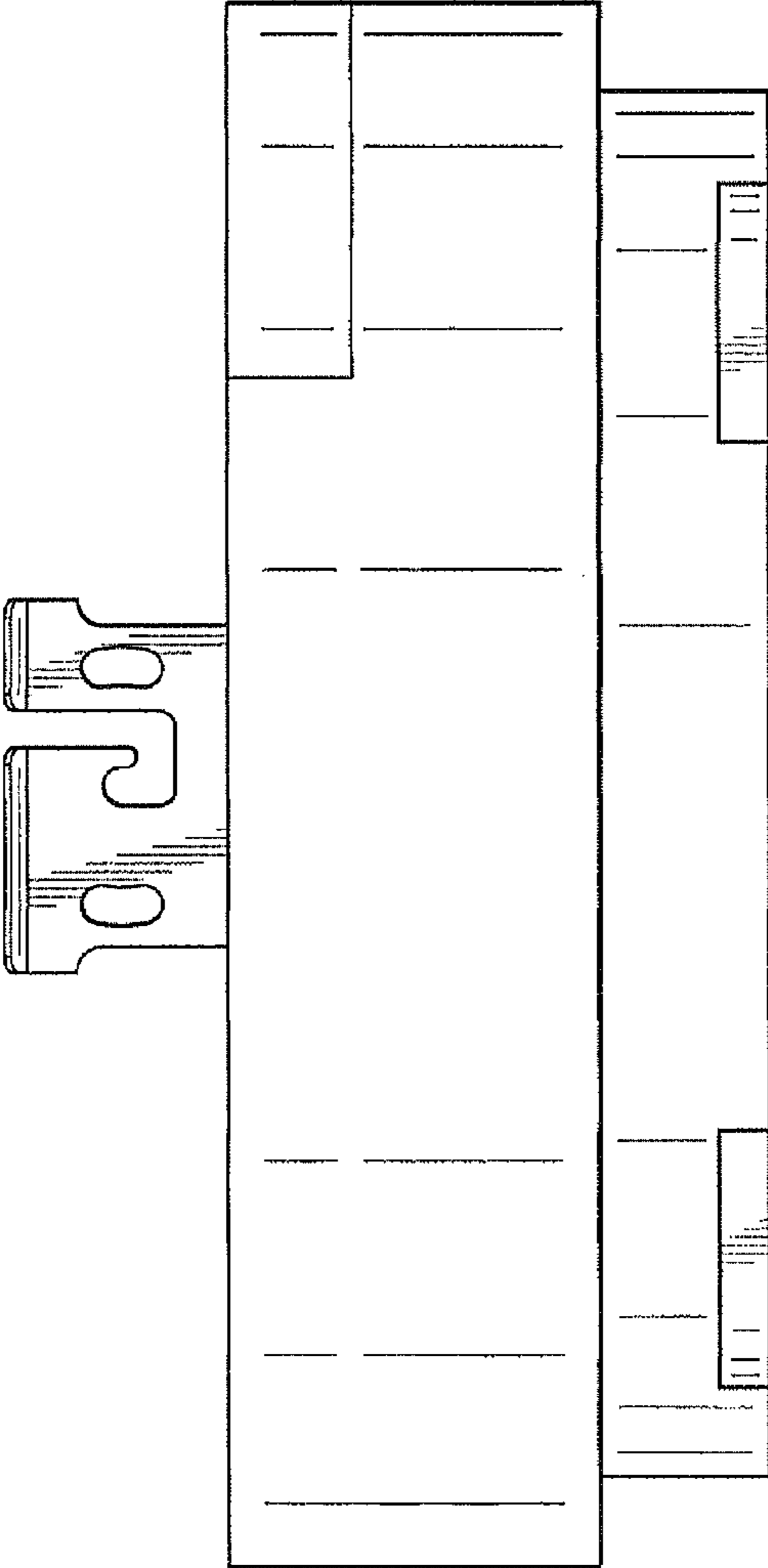


FIG. 6

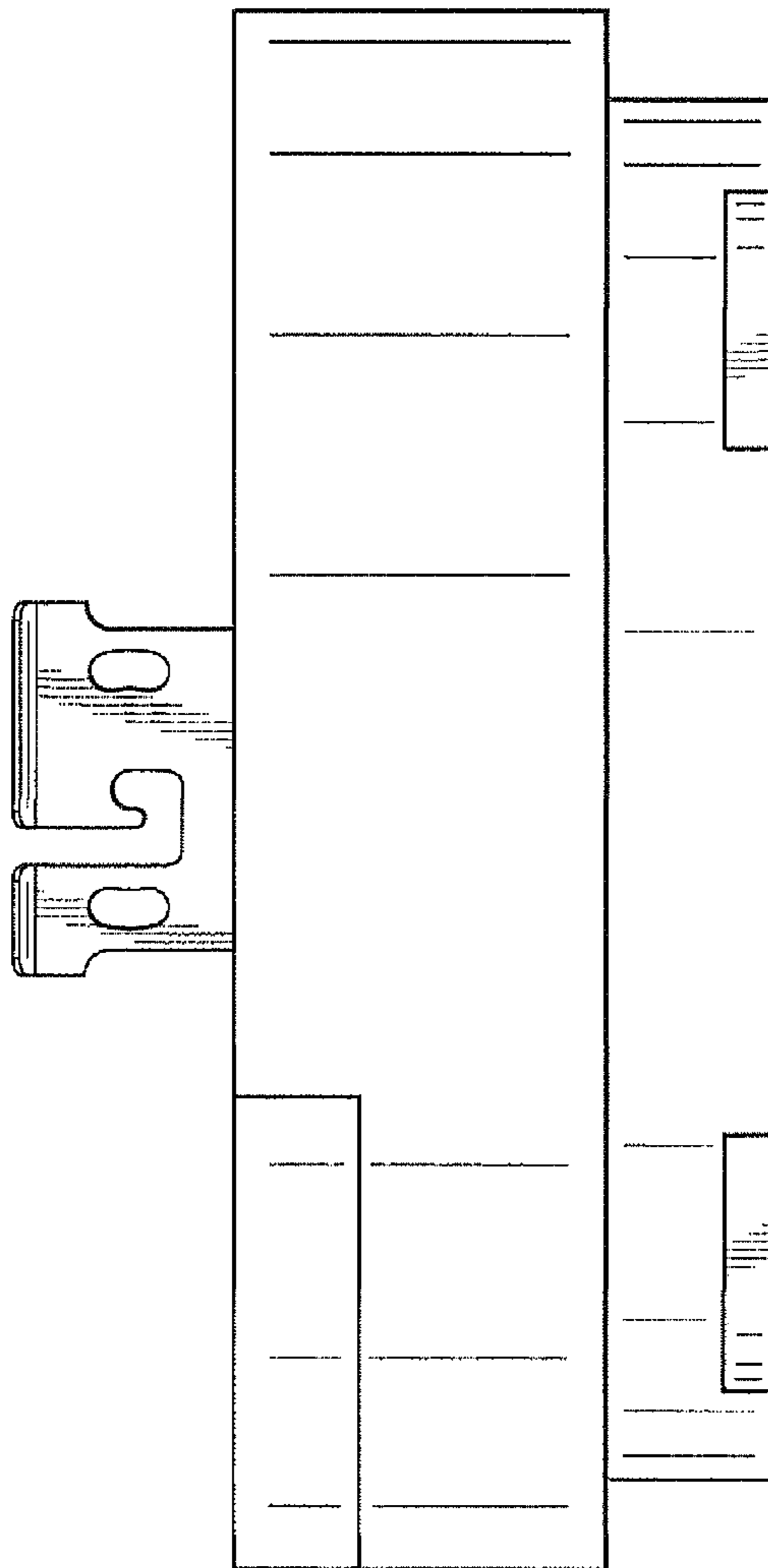


FIG. 7

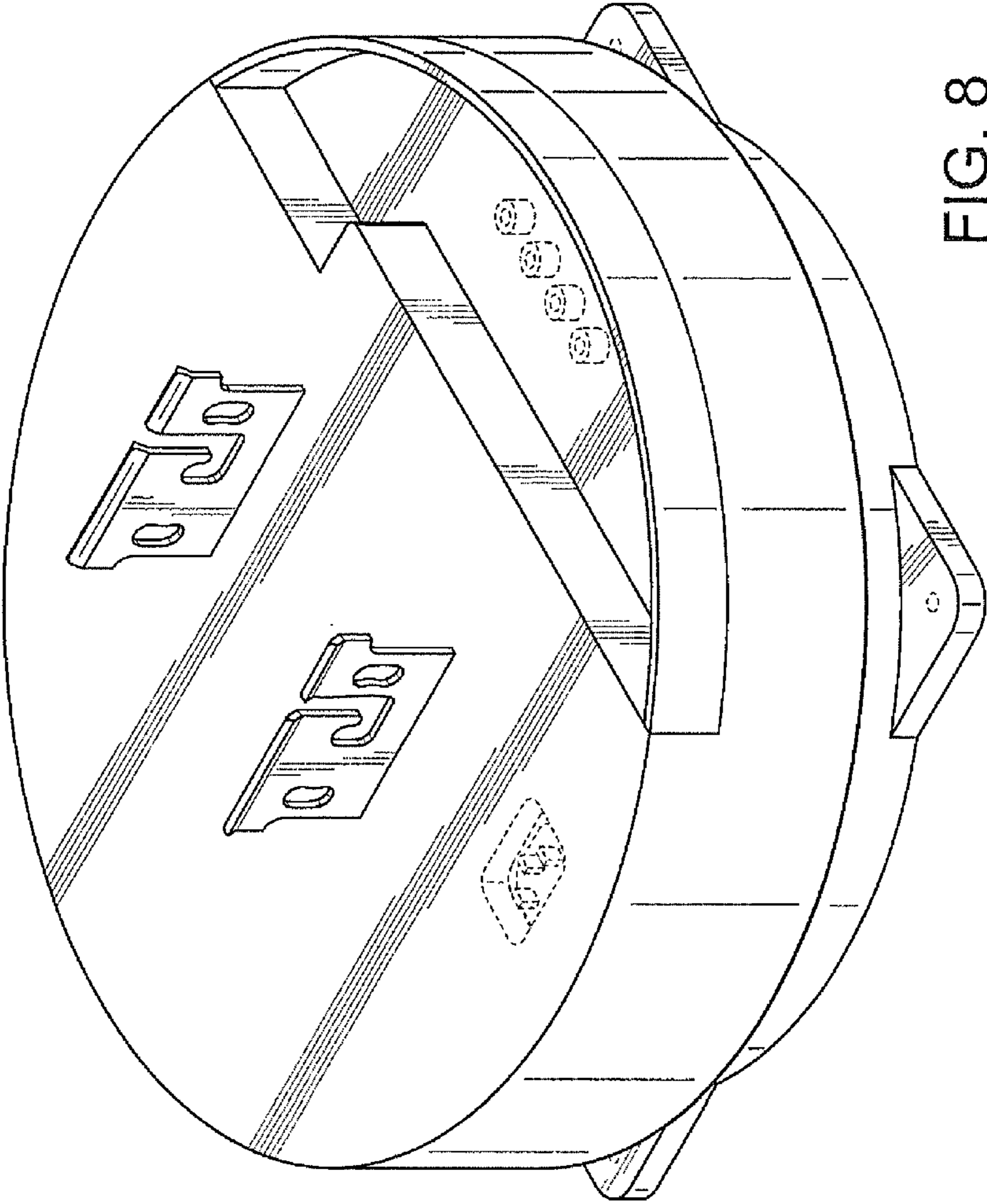


FIG. 8

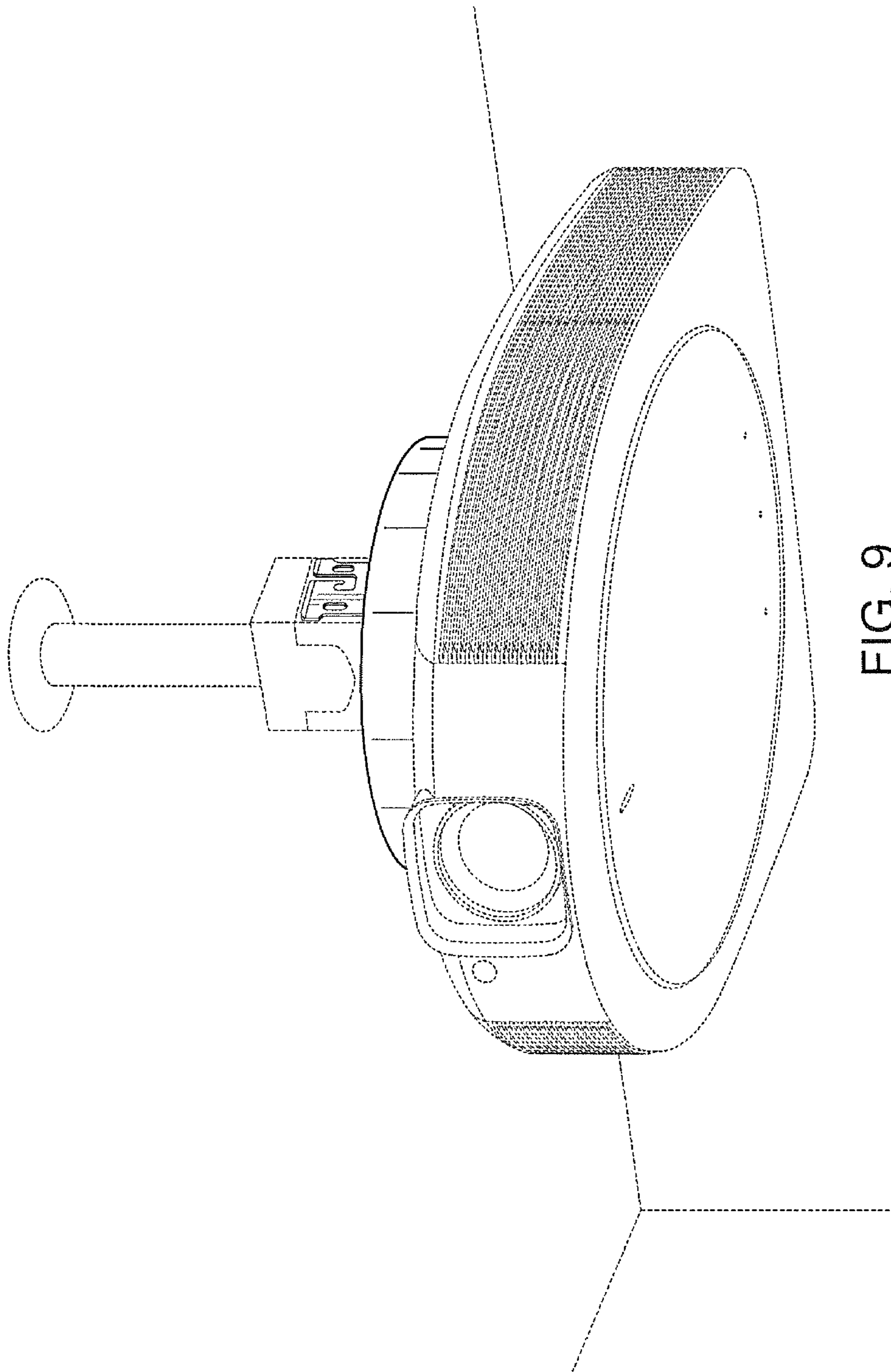


FIG. 9