

US00D668284S

(12) **United States Design Patent**
Yamada et al.

(10) **Patent No.:** **US D668,284 S**
(45) **Date of Patent:** **** Oct. 2, 2012**

(54) **PROJECTOR**

(75) Inventors: **Takahisa Yamada**, Tokyo (JP);
Toshiyuki Yamaguchi, Tokyo (JP);
Yasushi Itou, Tokyo (JP); **Kazuya Inoue**, Tokyo (JP); **Mitsuhiro Shimizu**, Tokyo (JP)

(73) Assignee: **NEC Display Solutions. Ltd.**, Tokyo (JP)

(**) Term: **14 Years**

(21) Appl. No.: **29/389,771**

(22) Filed: **Apr. 15, 2011**

(30) **Foreign Application Priority Data**

Oct. 18, 2010 (JP) 2010-024879

(51) **LOC (9) Cl.** **16-02**

(52) **U.S. Cl.** **D16/230; D16/225**

(58) **Field of Classification Search** D16/205,
D16/208, 219, 221, 225, 230–231, 234–235;
D21/514; 353/115, 119, 122

See application file for complete search history.

(56) **References Cited**

U.S. PATENT DOCUMENTS

D321,527 S *	11/1991	Kurozumi et al.	D16/234
D350,147 S *	8/1994	Ina	D16/230
D498,489 S *	11/2004	Oross	D16/230
D518,845 S *	4/2006	Uchida	D16/230
D545,862 S *	7/2007	Kawasaki et al.	D16/230
D605,215 S *	12/2009	Azuma	D16/230

* cited by examiner

Primary Examiner — Wan Laymon

(74) *Attorney, Agent, or Firm* — Sughrue Mion, PLLC

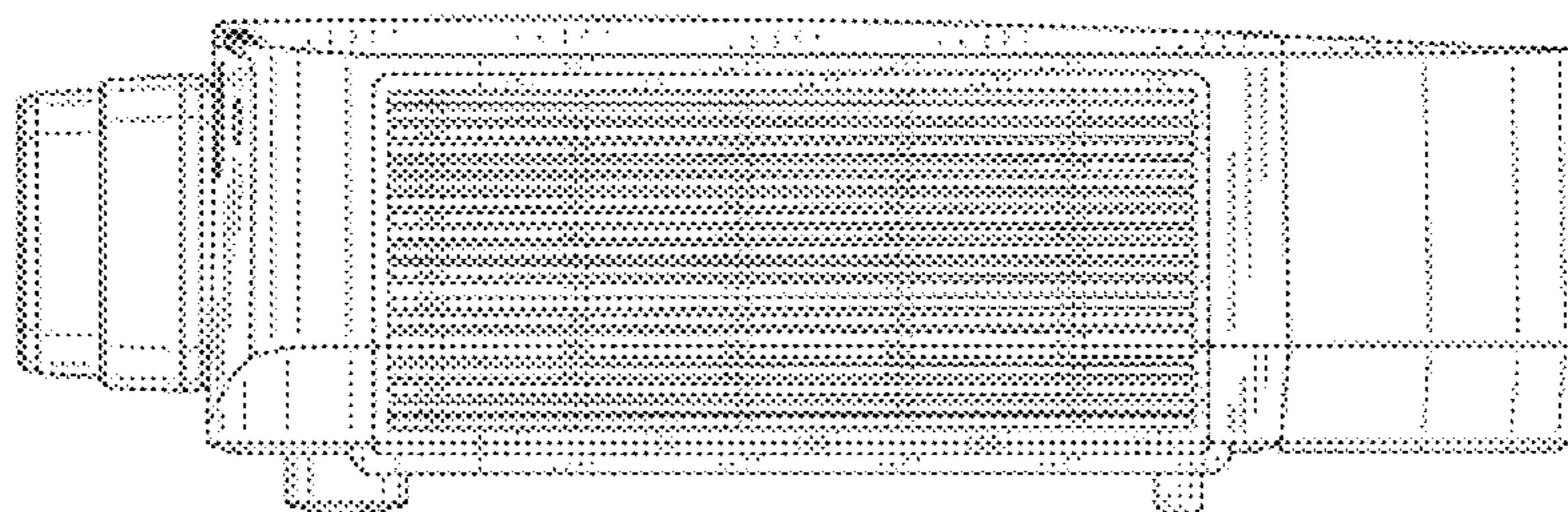
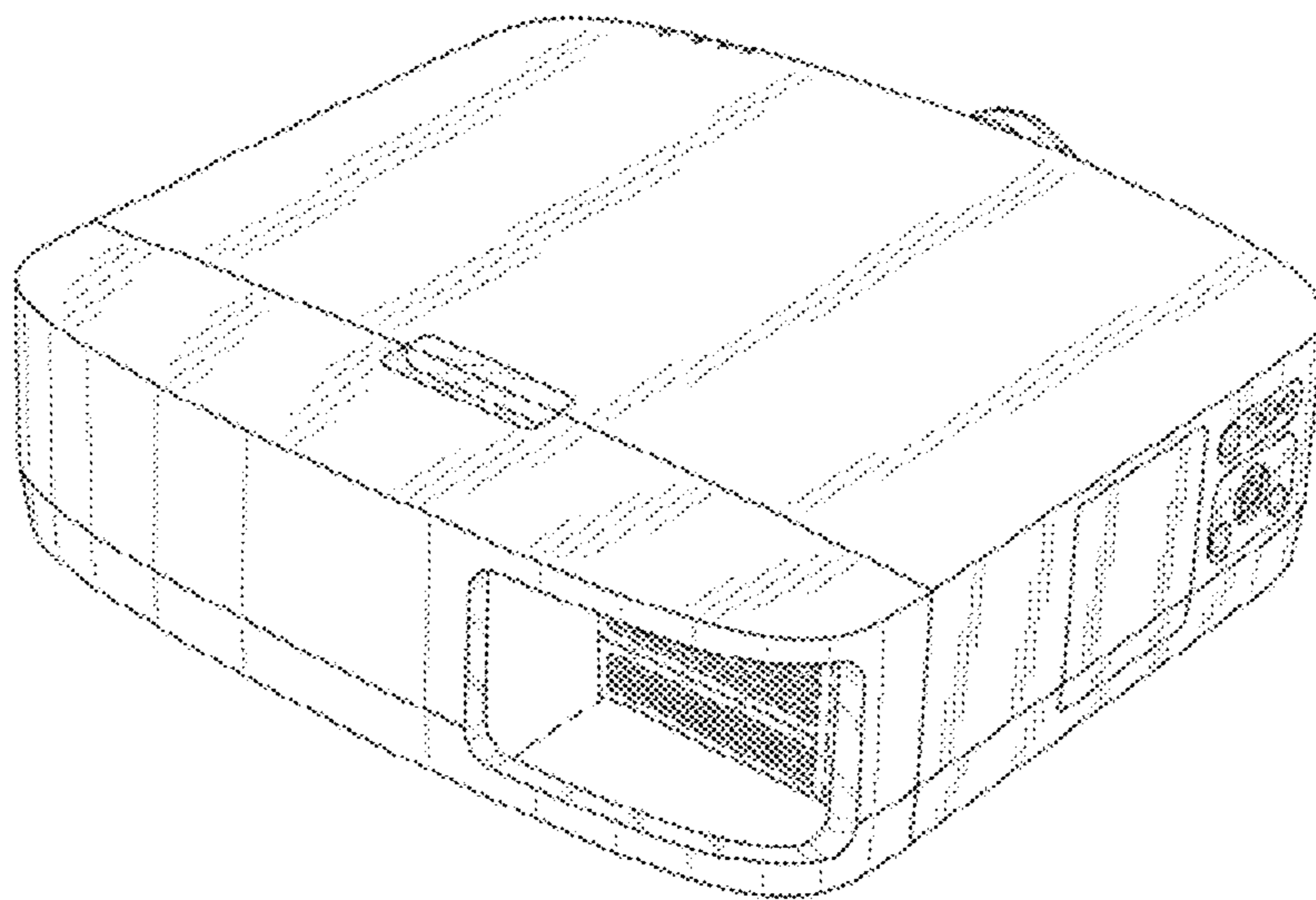
(57) **CLAIM**

The ornamental design for a projector, as shown and described.

DESCRIPTION

FIG. 1 is a rear, left side, top perspective view of a projector showing our new design, shown in a reduced scale; FIG. 2 is a front elevational view thereof; FIG. 3 is a rear elevational view thereof; FIG. 4 is a left side view thereof; FIG. 5 is a right side view thereof; FIG. 6 is a top plan view thereof; and, FIG. 7 is a bottom plan view thereof. The broken lines are for illustrative purposes only and form no part of the claimed design.

1 Claim, 5 Drawing Sheets



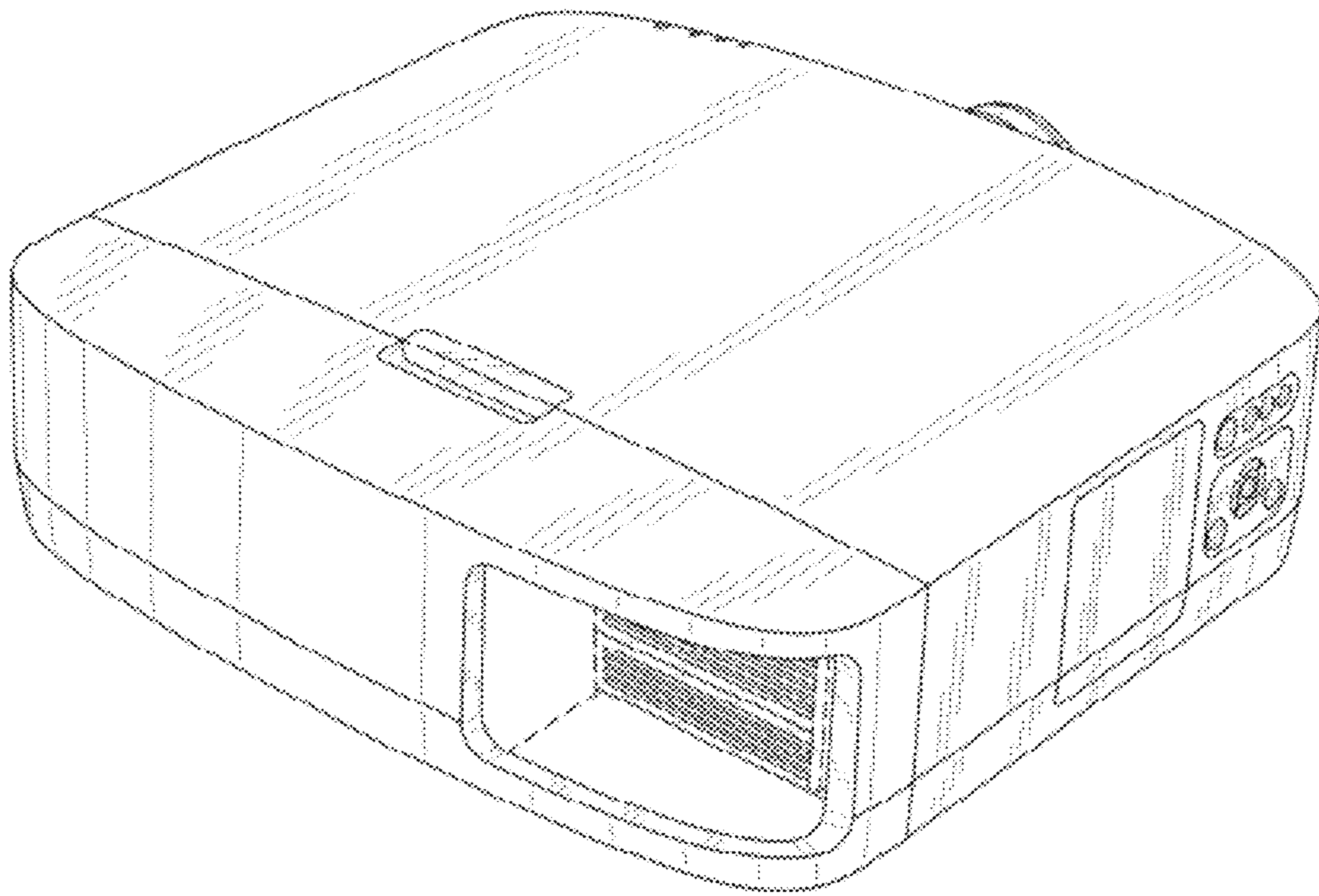


FIG. 1

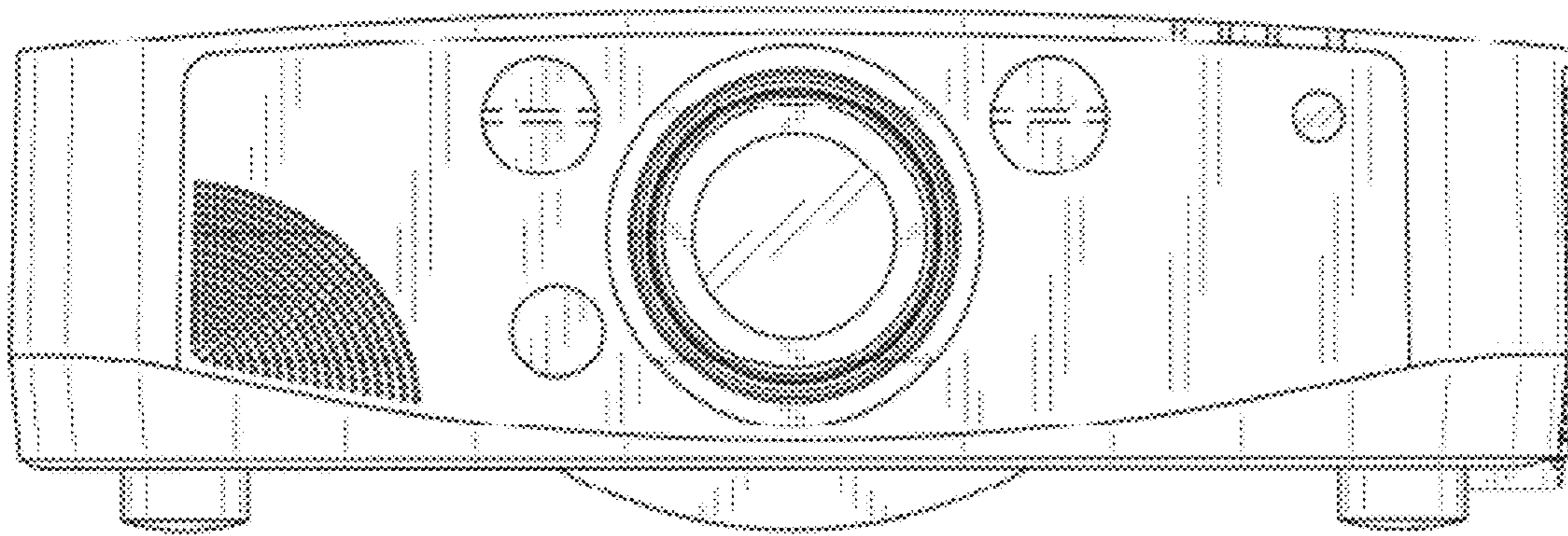


FIG. 2

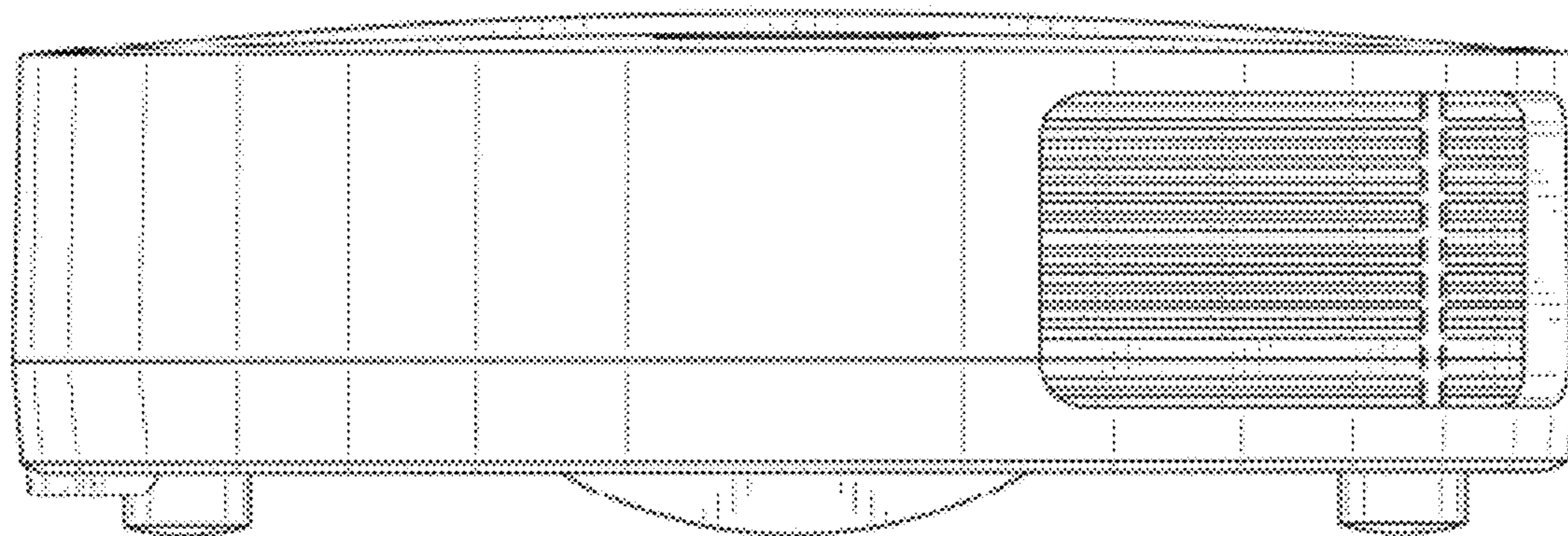


FIG. 3

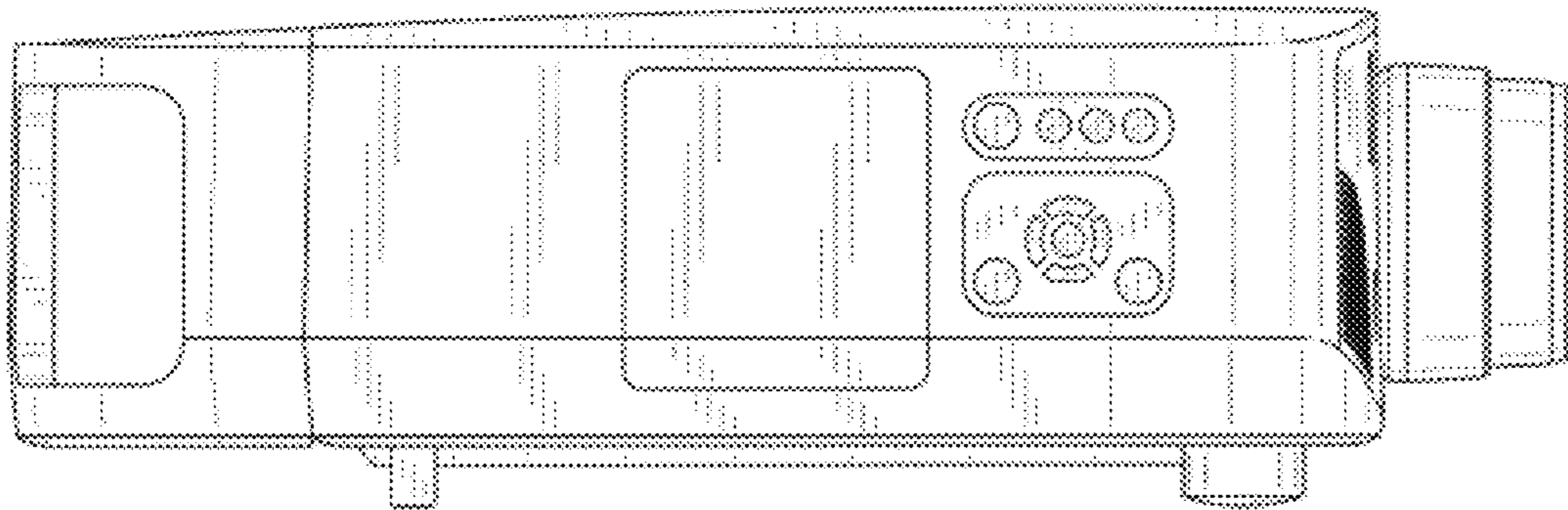


FIG. 4

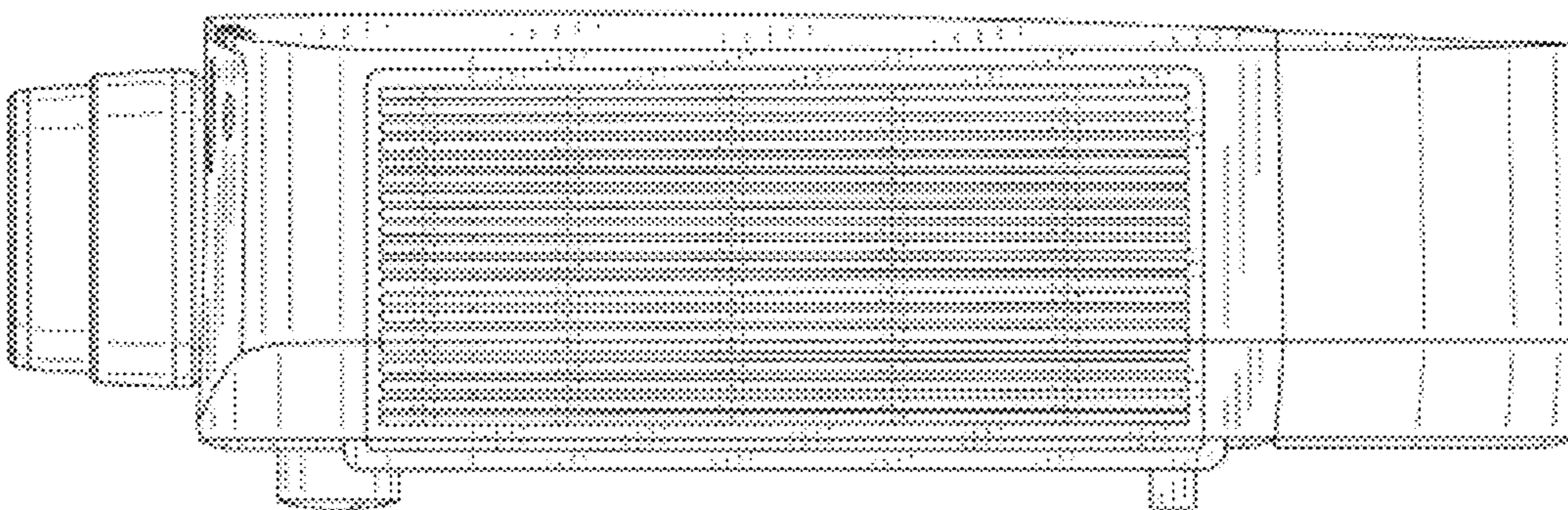


FIG. 5

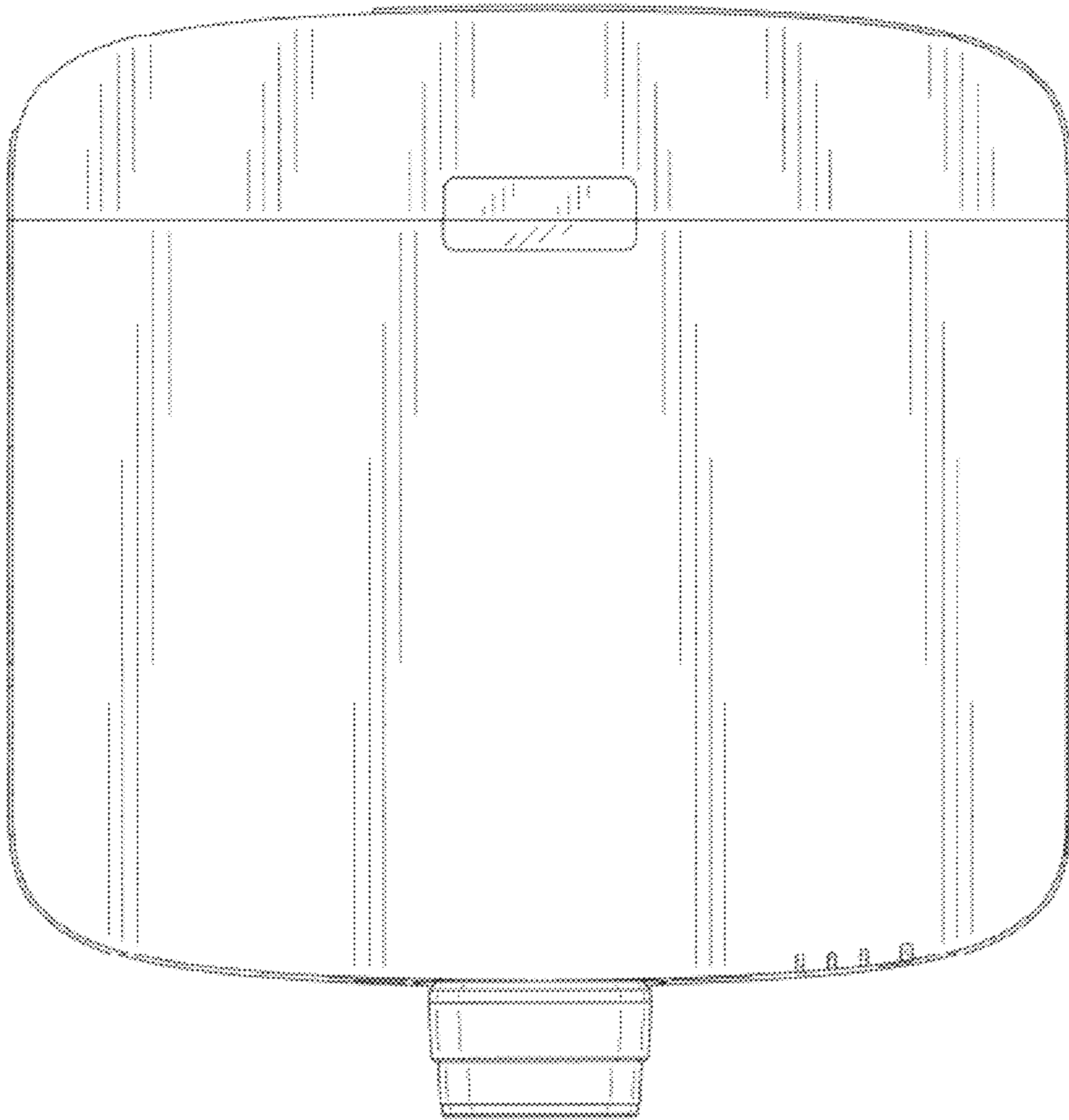


FIG. 6

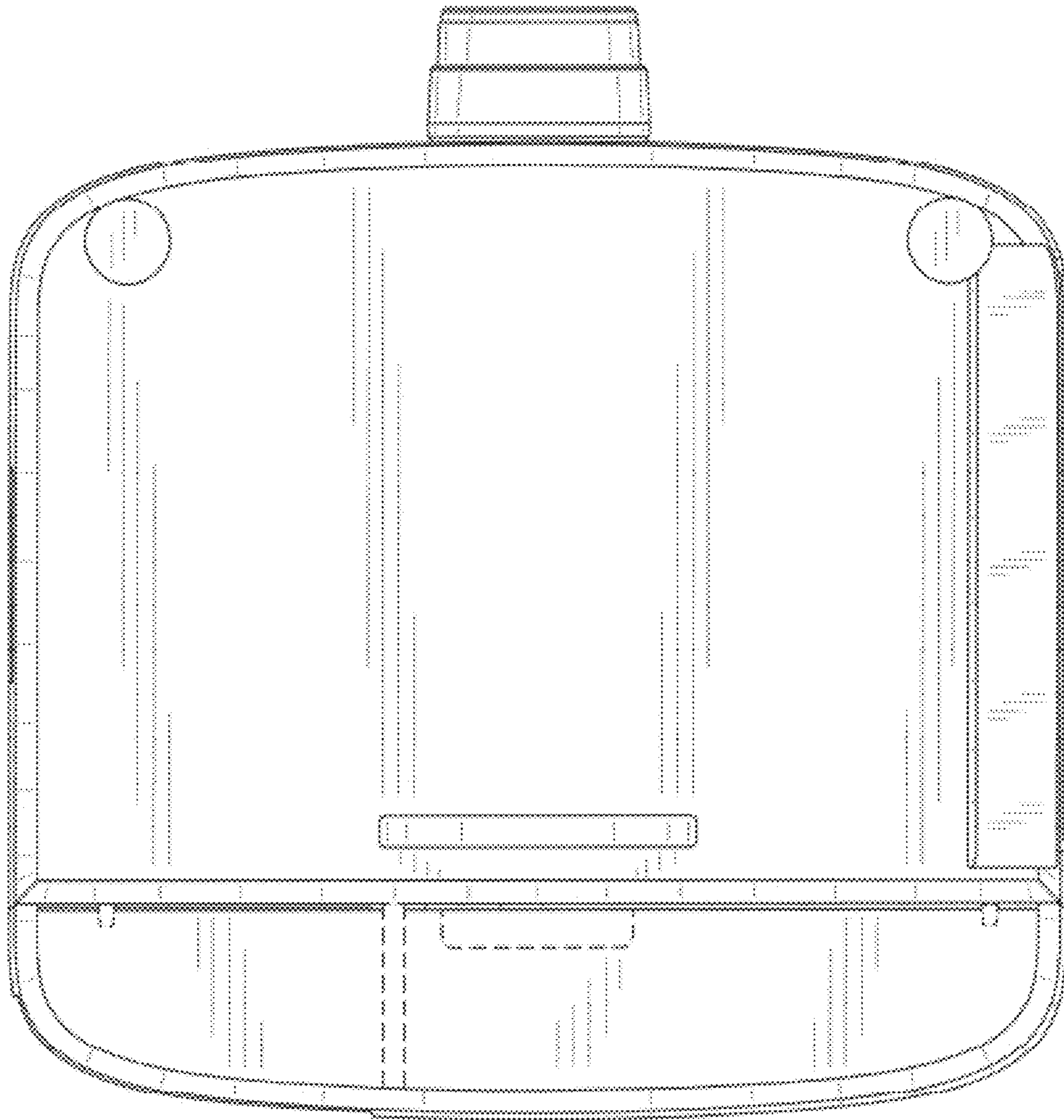


FIG. 7