



US00D668283S

(12) **United States Design Patent**
Ohno et al.

(10) **Patent No.:** **US D668,283 S**

(45) **Date of Patent:** **** Oct. 2, 2012**

(54) **SURVEILLANCE CAMERA**

(75) Inventors: **Akio Ohno**, Fukuoka (JP); **Yasuki Yamakawa**, Fukuoka (JP)

(73) Assignee: **Panasonic Corporation**, Osaka (JP)

(**) Term: **14 Years**

(21) Appl. No.: **29/403,195**

(22) Filed: **Oct. 3, 2011**

(51) **LOC (9) Cl.** **16-05**

(52) **U.S. Cl.** **D16/203**

(58) **Field of Classification Search** D16/200,
D16/202, 203, 205, 208, 218; 348/143, 373-376;
358/906; 396/427, 535-541
See application file for complete search history.

(56) **References Cited**

U.S. PATENT DOCUMENTS

D339,365 S *	9/1993	Urcuilio	D16/203
D441,386 S *	5/2001	Yamazaki	D16/203
D450,075 S	11/2001	Uehara		
D465,504 S *	11/2002	Van Klinken	D16/203
D474,221 S	5/2003	Cheng		
D491,968 S	6/2004	Isshiki		
D504,904 S *	5/2005	Nagai et al.	D16/203
D534,196 S	12/2006	Kim et al.		
D550,739 S *	9/2007	Deng	D16/203
D551,275 S	9/2007	Kim		

D564,008 S	3/2008	Ikeda et al.		
D566,151 S	4/2008	Won et al.		
D582,955 S	12/2008	Sekine et al.		
7,518,654 B2 *	4/2009	Bleau et al.	348/374
D611,081 S *	3/2010	Kobayashi et al.	D16/218
D616,480 S	5/2010	Ookawa et al.		
D628,611 S *	12/2010	Lewis	D16/203

* cited by examiner

Primary Examiner — Adir Aronovich

(74) *Attorney, Agent, or Firm* — Brinks Hofer Gilson & Lione

(57) **CLAIM**

We claim the ornamental design for a surveillance camera, as shown and described.

DESCRIPTION

FIG. 1 is a front, top and right side perspective view of a surveillance camera of the present invention; FIG. 2 is a rear top and left side perspective view thereof; FIG. 3 is a front elevational view thereof; FIG. 4 is a rear elevational view thereof; FIG. 5 is a left side elevational view thereof, FIG. 6 is a right side elevational view thereof, FIG. 7 is a top plan view thereof; and, FIG. 8 is a bottom plan view thereof. The portions of the surveillance camera in broken lines are shown for illustrative purposes only and form no part of the claimed design.

1 Claim, 8 Drawing Sheets

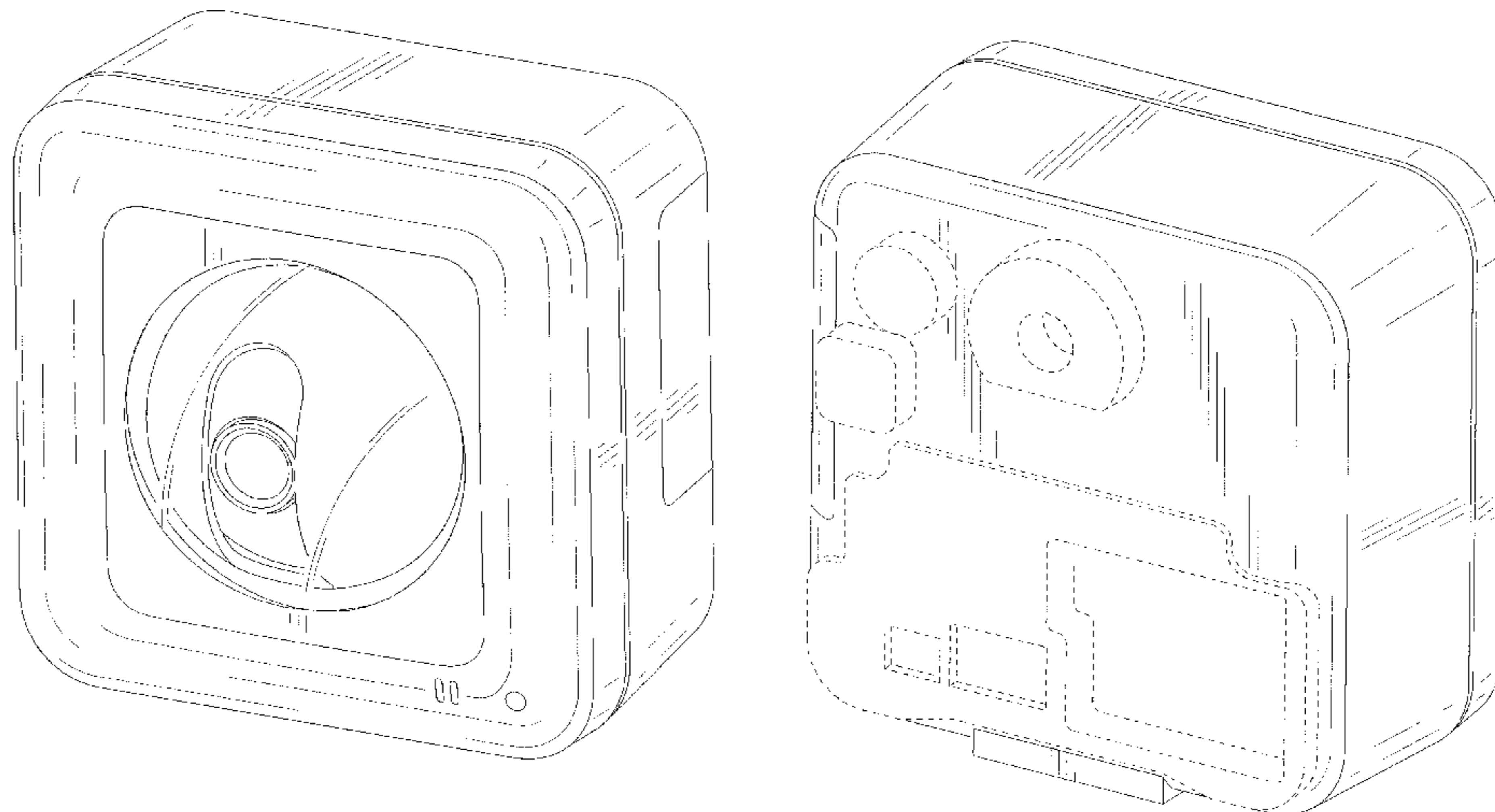


FIG. 1

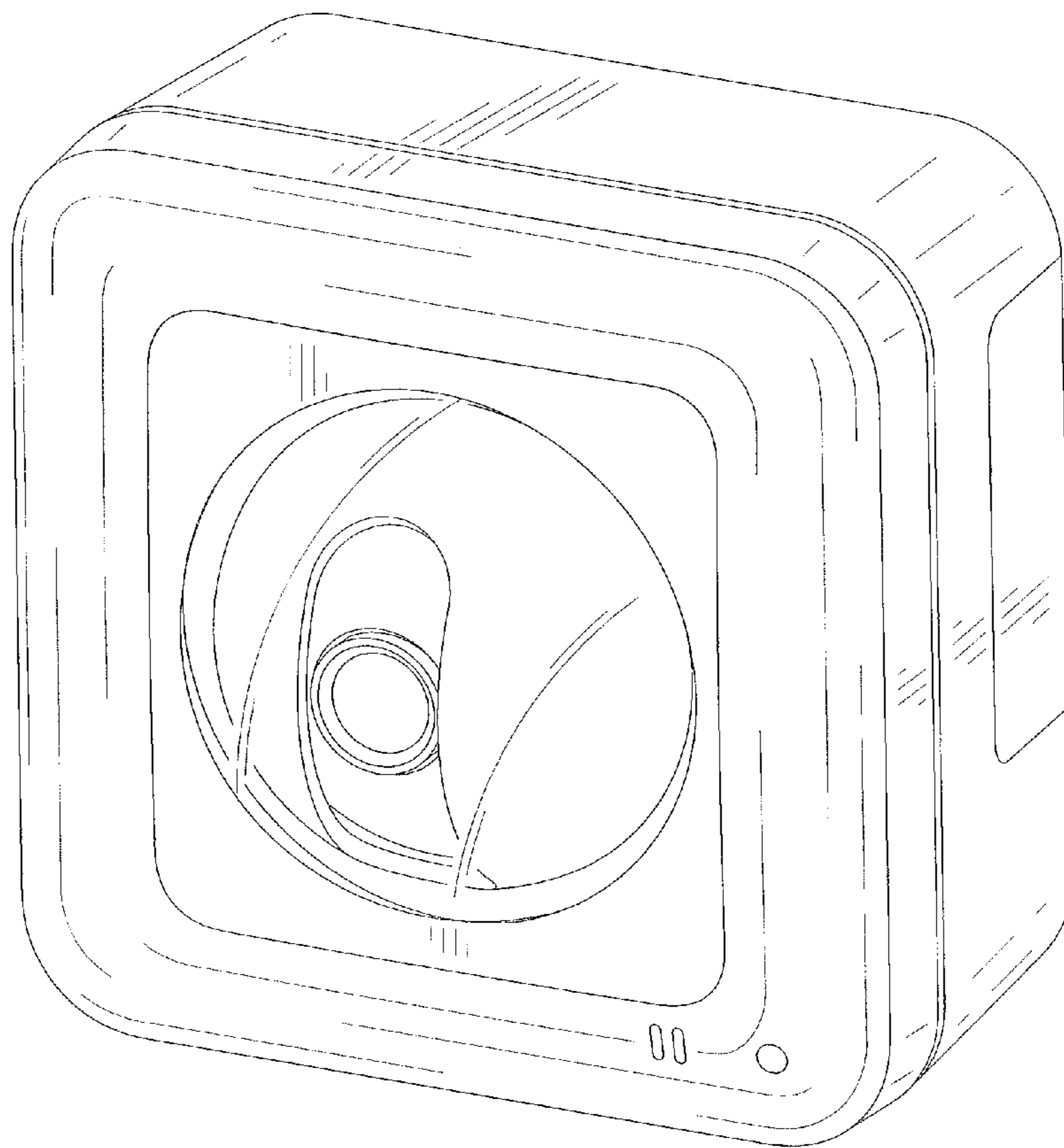


FIG. 2

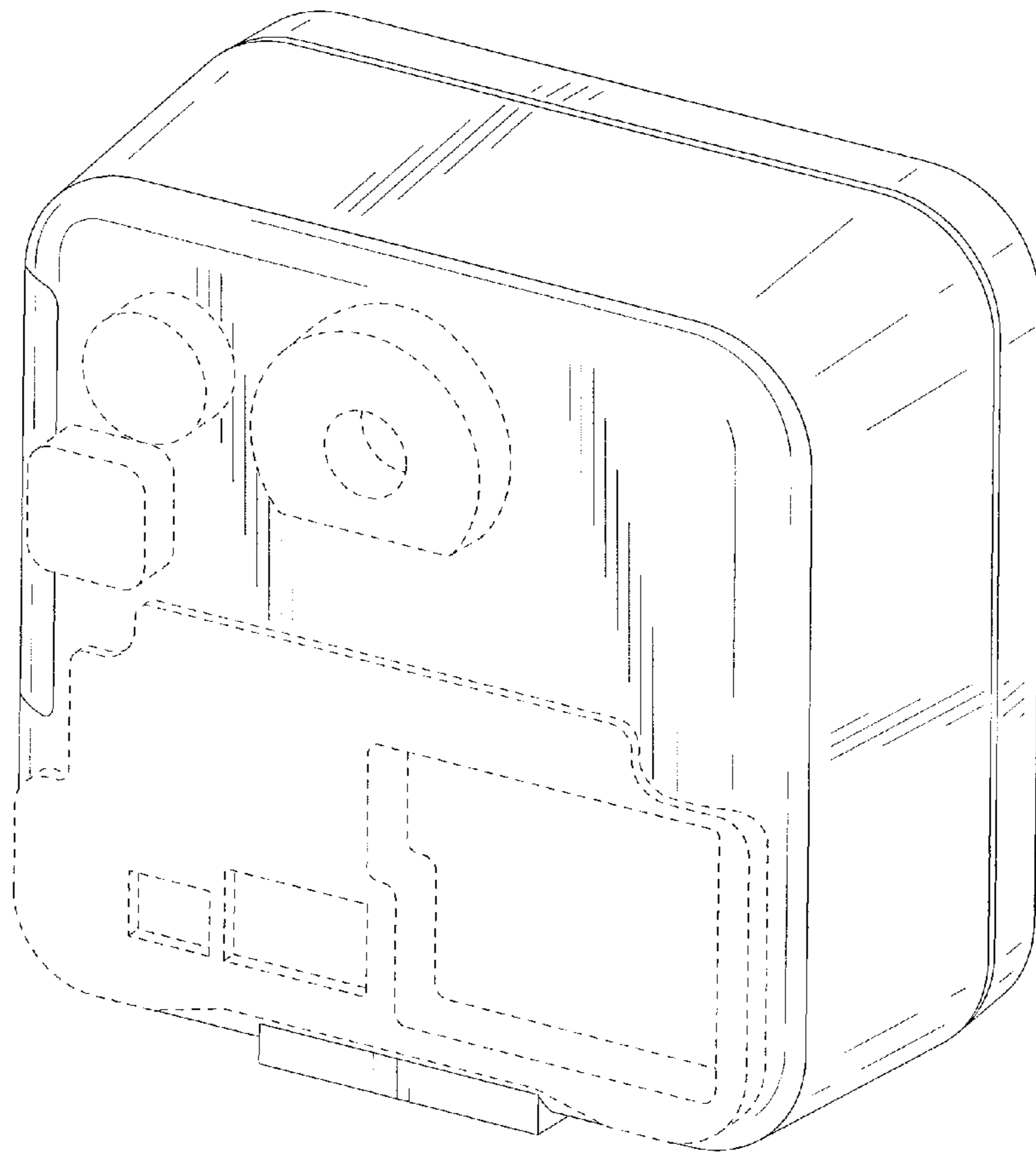


FIG. 3

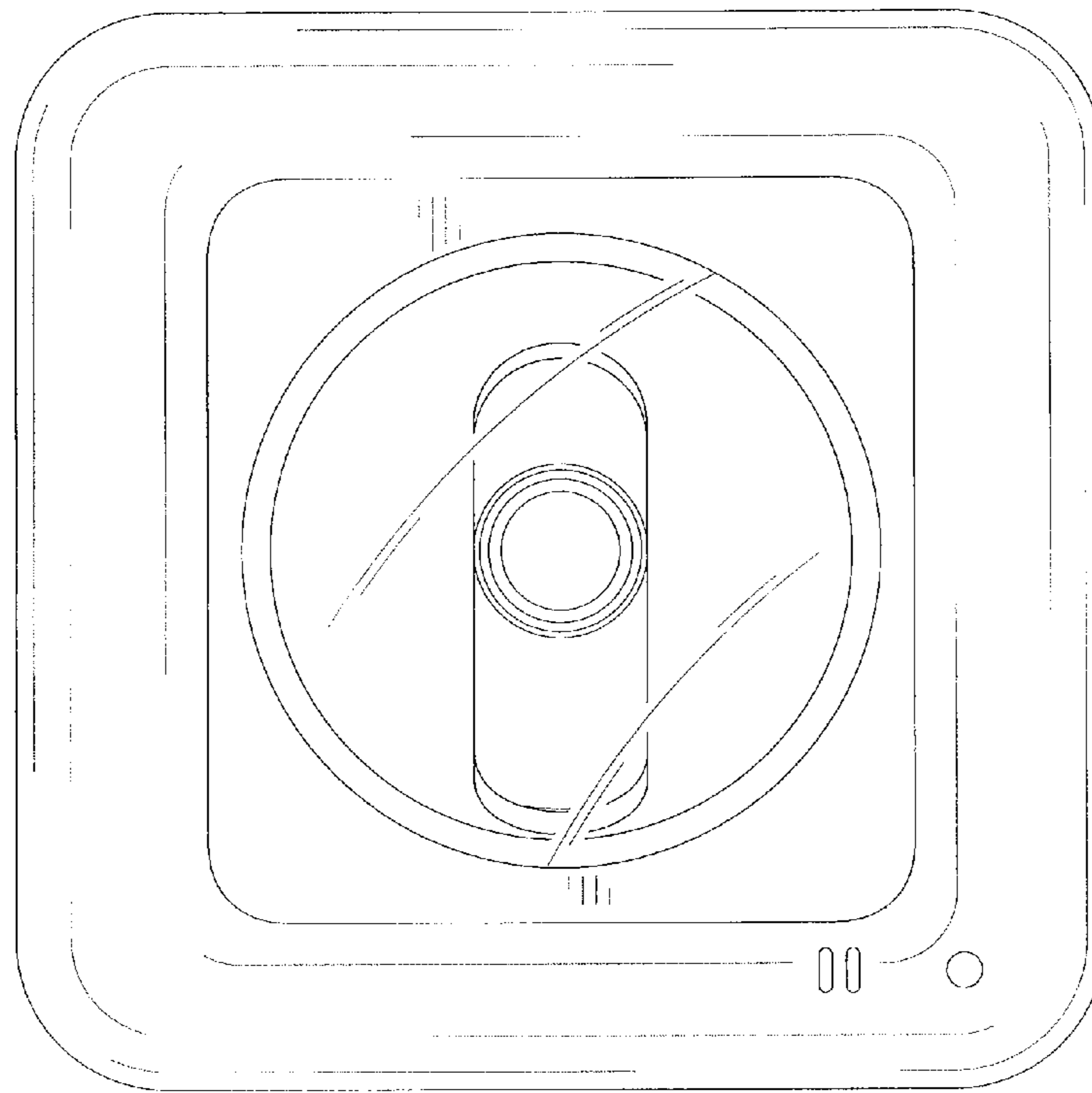


FIG. 4

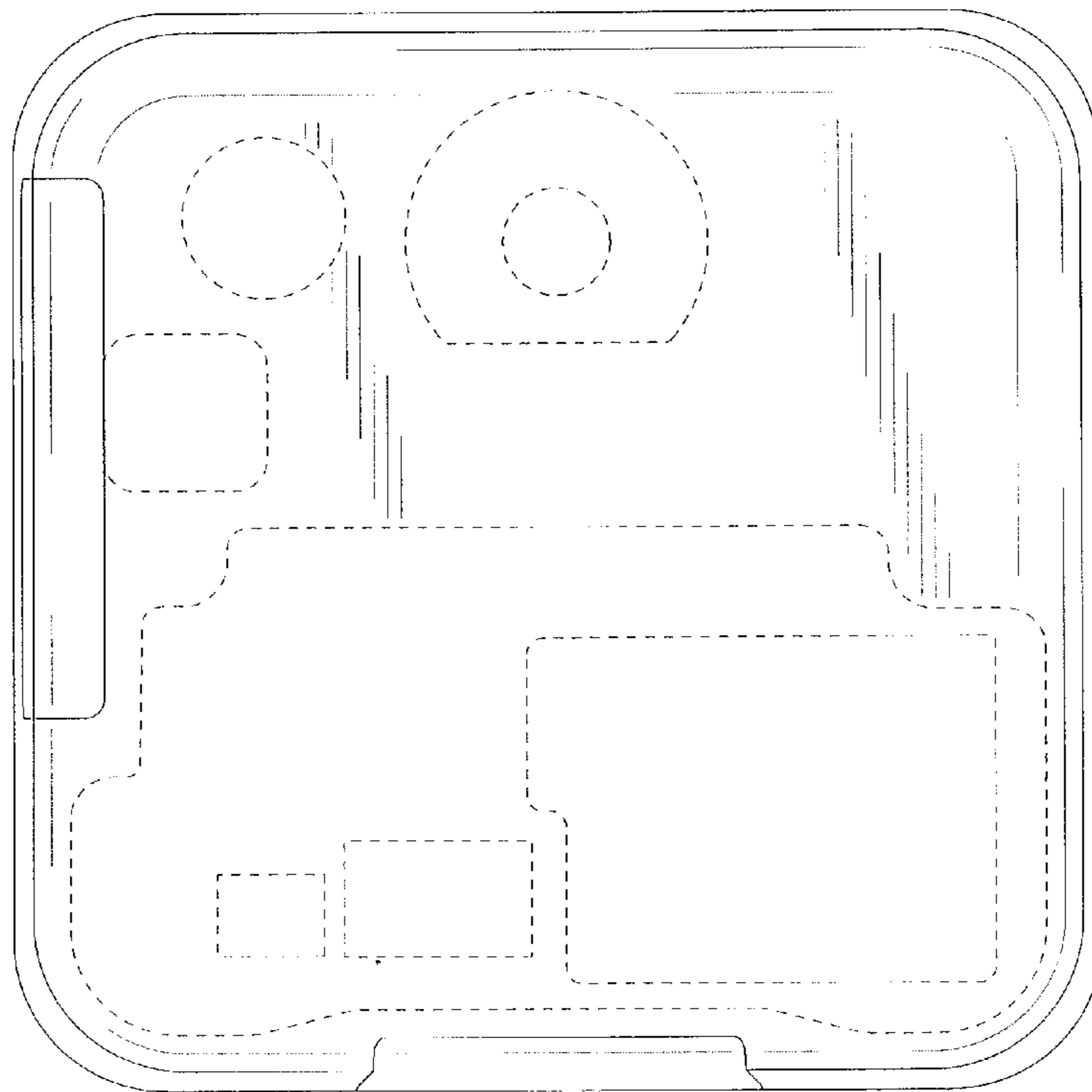


FIG. 5

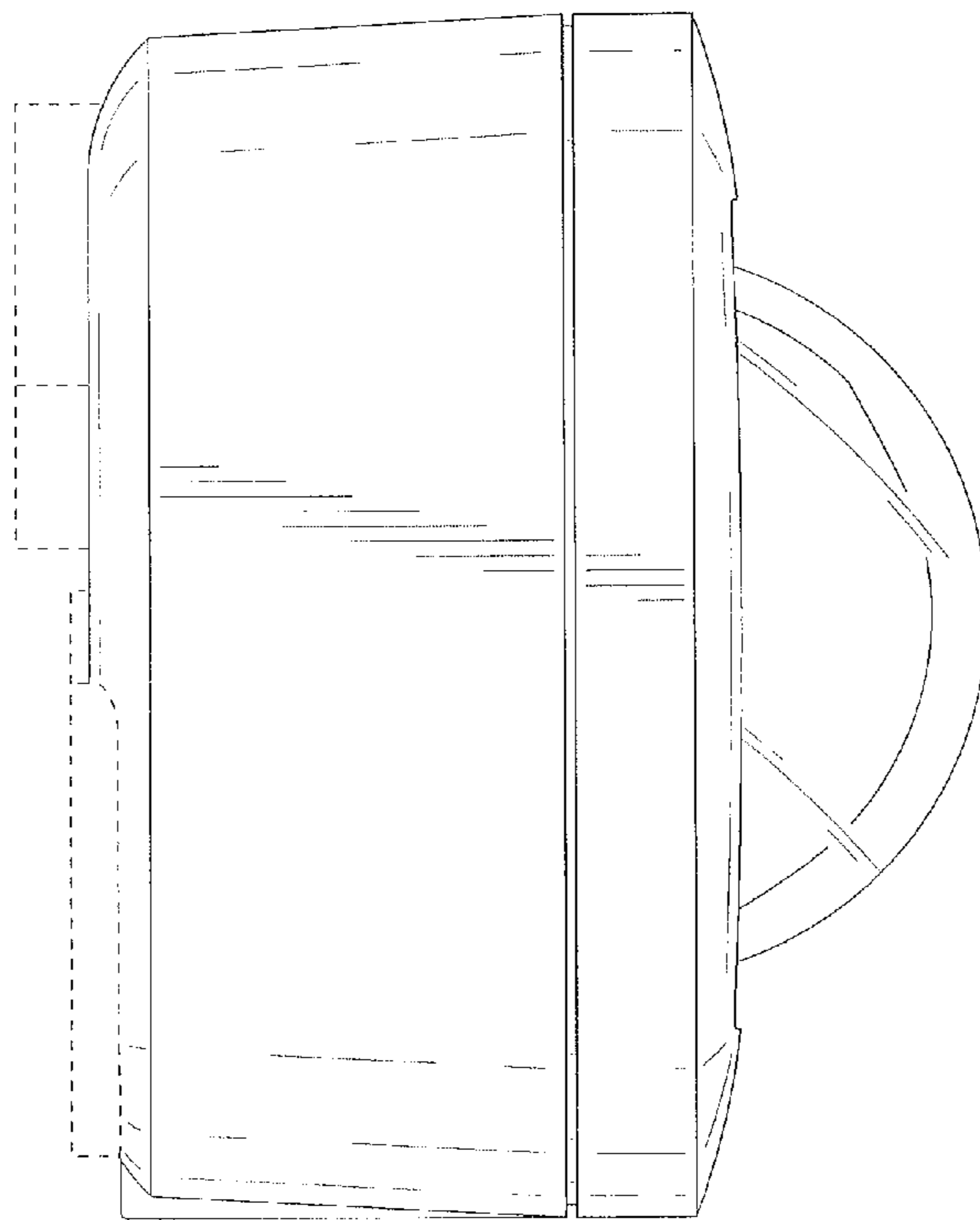


FIG. 6

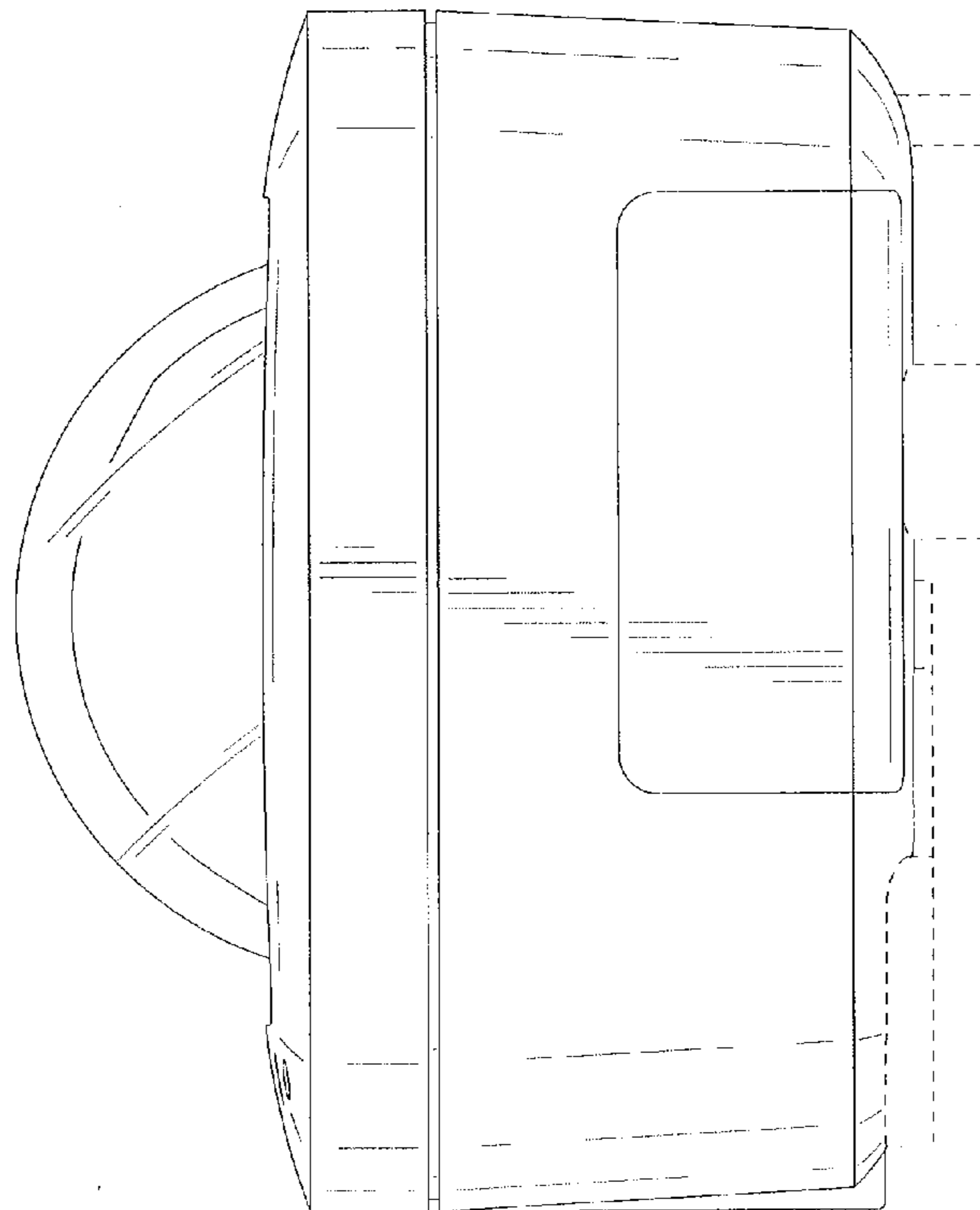


FIG. 7

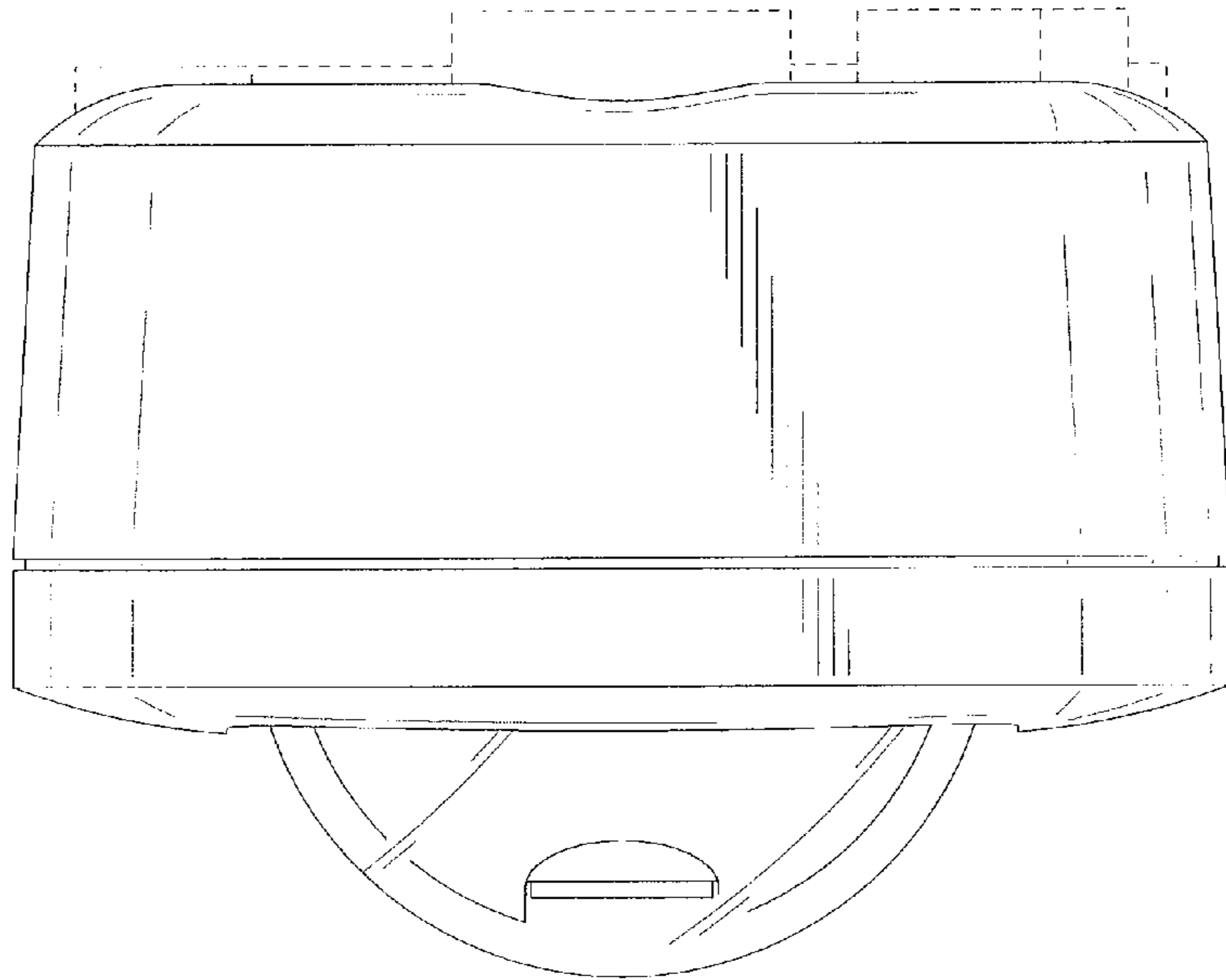


FIG. 8

