



US00D668282S

(12) **United States Design Patent**
Ohno et al.

(10) **Patent No.:** **US D668,282 S**
(45) **Date of Patent:** **** Oct. 2, 2012**

(54) **SURVEILLANCE CAMERA**
(75) Inventors: **Akio Ohno**, Fukuoka (JP); **Yasuki Yamakawa**, Fukuoka (JP)
(73) Assignee: **Panasonic Corporation**, Osaka (JP)
(**) Term: **14 Years**
(21) Appl. No.: **29/403,191**
(22) Filed: **Oct. 3, 2011**

D563,448 S 3/2008 Yamakawa
D563,450 S * 3/2008 Cheng D16/203
D582,460 S 12/2008 Yoo et al.
D606,572 S * 12/2009 Samson et al. D16/203
D612,408 S 3/2010 Yamakawa
D613,784 S * 4/2010 Wang et al. D16/203
D614,222 S * 4/2010 Yamakawa D16/203
D633,543 S * 3/2011 Park D16/203
2008/0111914 A1 * 5/2008 Takahashi et al. 348/373

(30) **Foreign Application Priority Data**
Apr. 11, 2011 (JP) 2011-008244
(51) **LOC (9) Cl.** **16-05**
(52) **U.S. Cl.** **D16/203**
(58) **Field of Classification Search** D16/200,
D16/202, 203, 205, 208, 218; 348/143, 373-376;
358/906; 396/427, 535-541
See application file for complete search history.

FOREIGN PATENT DOCUMENTS

JP D723583 1/1988
JP D1066665 4/2000
JP D1222845 11/2004
JP D1369214 9/2009

* cited by examiner

Primary Examiner — Adir Aronovich

(74) *Attorney, Agent, or Firm* — Brinks Hofer Gilson & Lione

(57) **CLAIM**

We claim the ornamental design for a surveillance camera, as shown and described.

(56) **References Cited**

U.S. PATENT DOCUMENTS

D312,649 S 12/1990 Sakuta
D365,119 S 12/1995 Ujita et al.
D366,271 S 1/1996 Hasegawa
D373,593 S 9/1996 Hiroko et al.
D409,641 S 5/1999 Uehara
D416,272 S * 11/1999 Adachi D16/203
D426,844 S 6/2000 Fujii
D470,520 S 2/2003 Yamakawa et al.
6,683,654 B1 * 1/2004 Haijima 348/374
6,728,480 B1 * 4/2004 Maeda et al. 396/427
D489,744 S 5/2004 Muto
D522,035 S 5/2006 Muto
D529,063 S * 9/2006 Cheng D16/203
D540,360 S 4/2007 Yamakawa
D543,224 S 5/2007 Kato et al.
7,221,402 B2 * 5/2007 Cheng 348/375

DESCRIPTION

FIG. 1 is a front, top and left side perspective view of a surveillance camera of the present invention; FIG. 2 is a rear bottom and left side perspective view thereof; FIG. 3 is a front elevational view thereof; FIG. 4 is a rear elevational view thereof; FIG. 5 is a left side elevational view thereof, FIG. 6 is a right side elevational view thereof, FIG. 7 is a top plan view thereof; and, FIG. 8 is a bottom plan view thereof. The portions of the surveillance camera in broken lines are shown for illustrative purposes only and form no part of the claimed design.

1 Claim, 8 Drawing Sheets

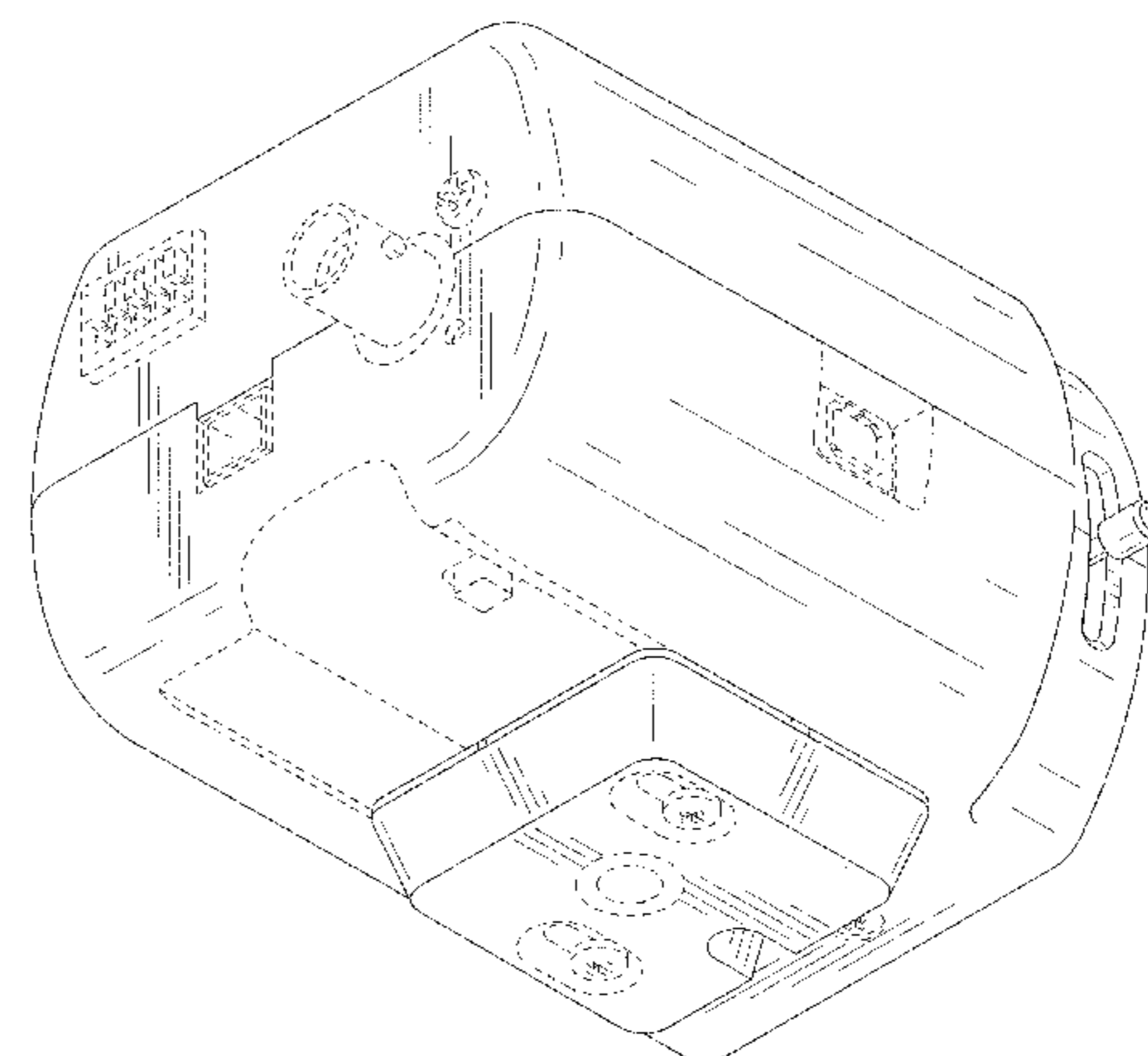
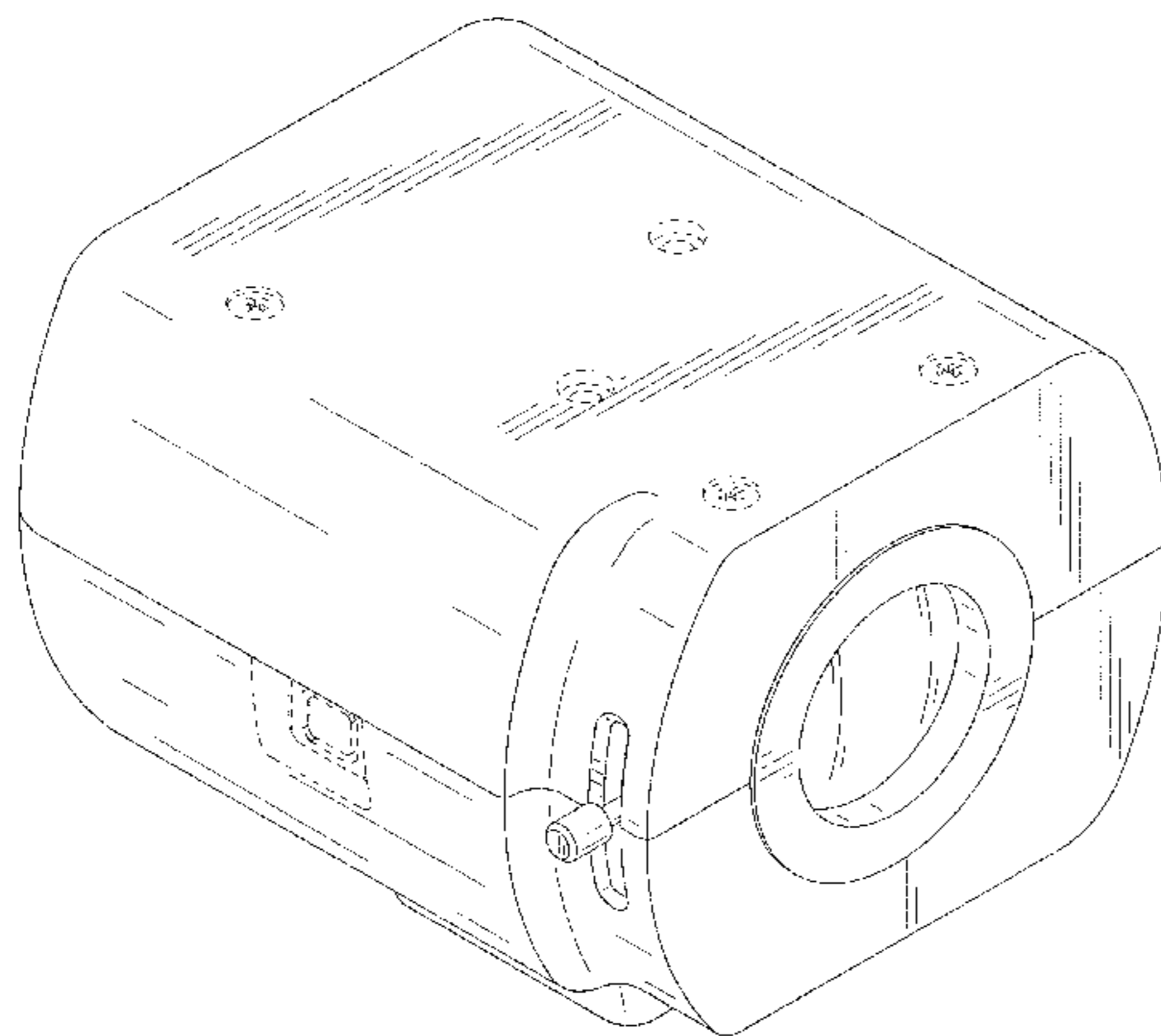


FIG. 1

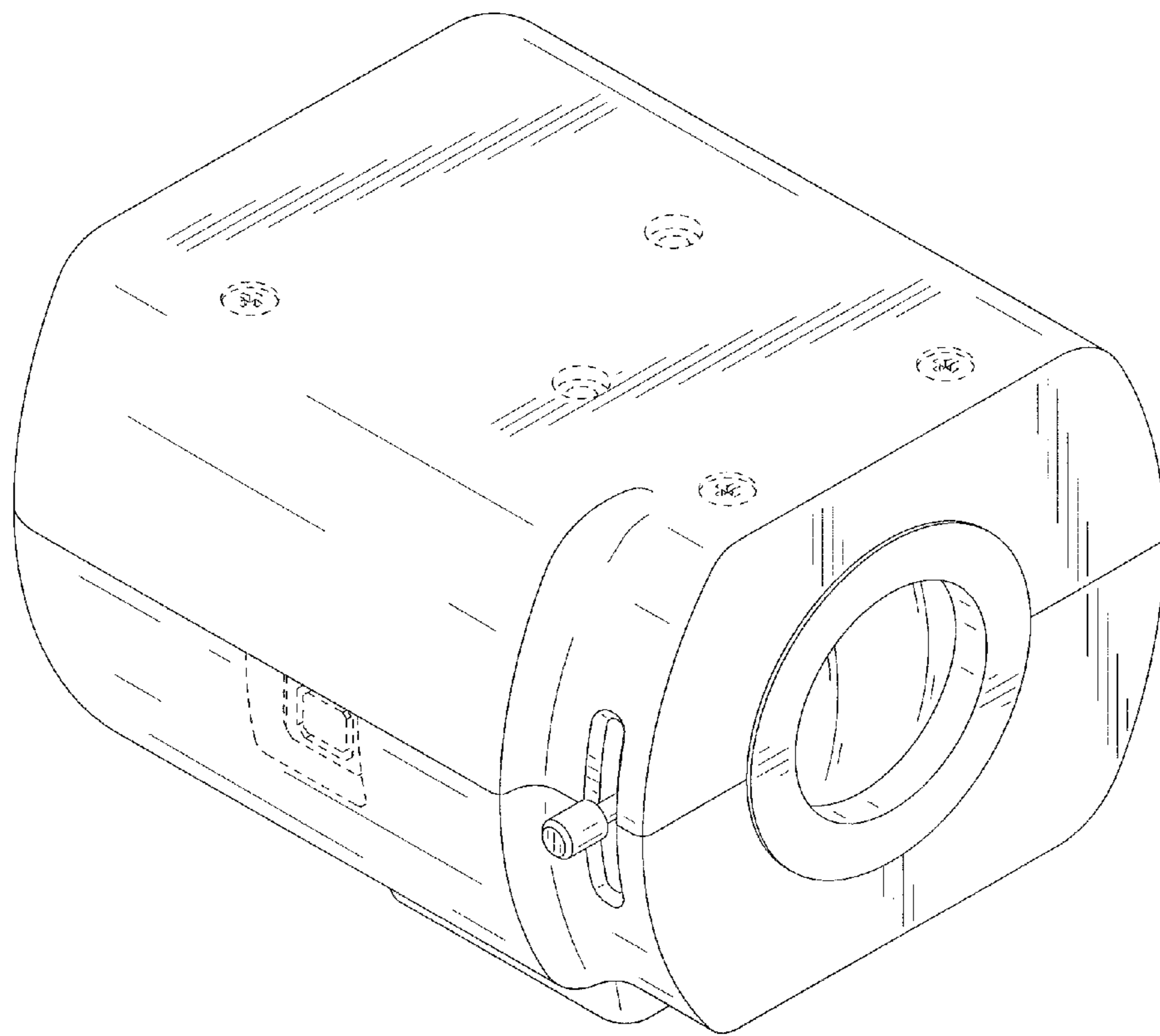


FIG. 2

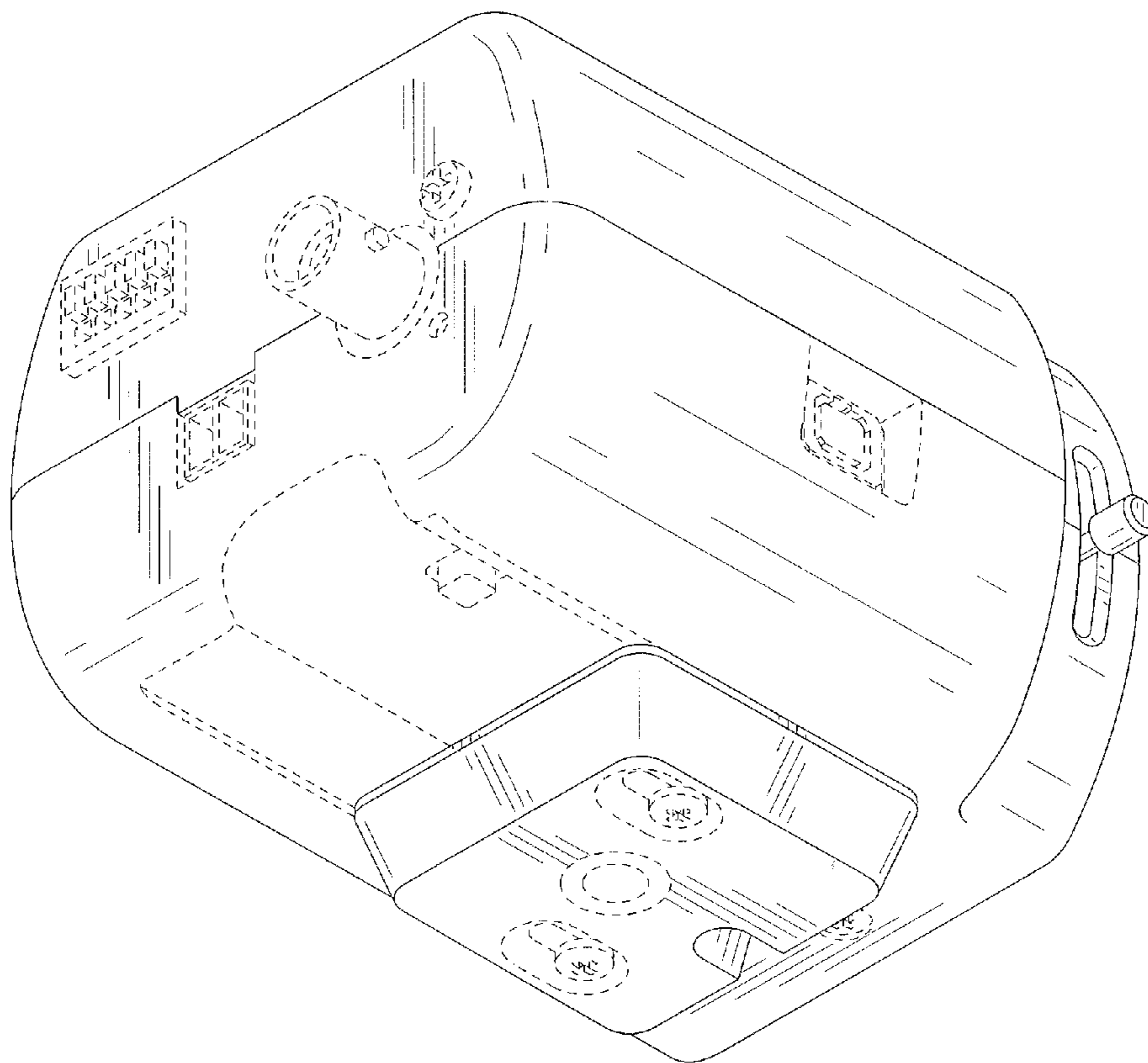


FIG. 3

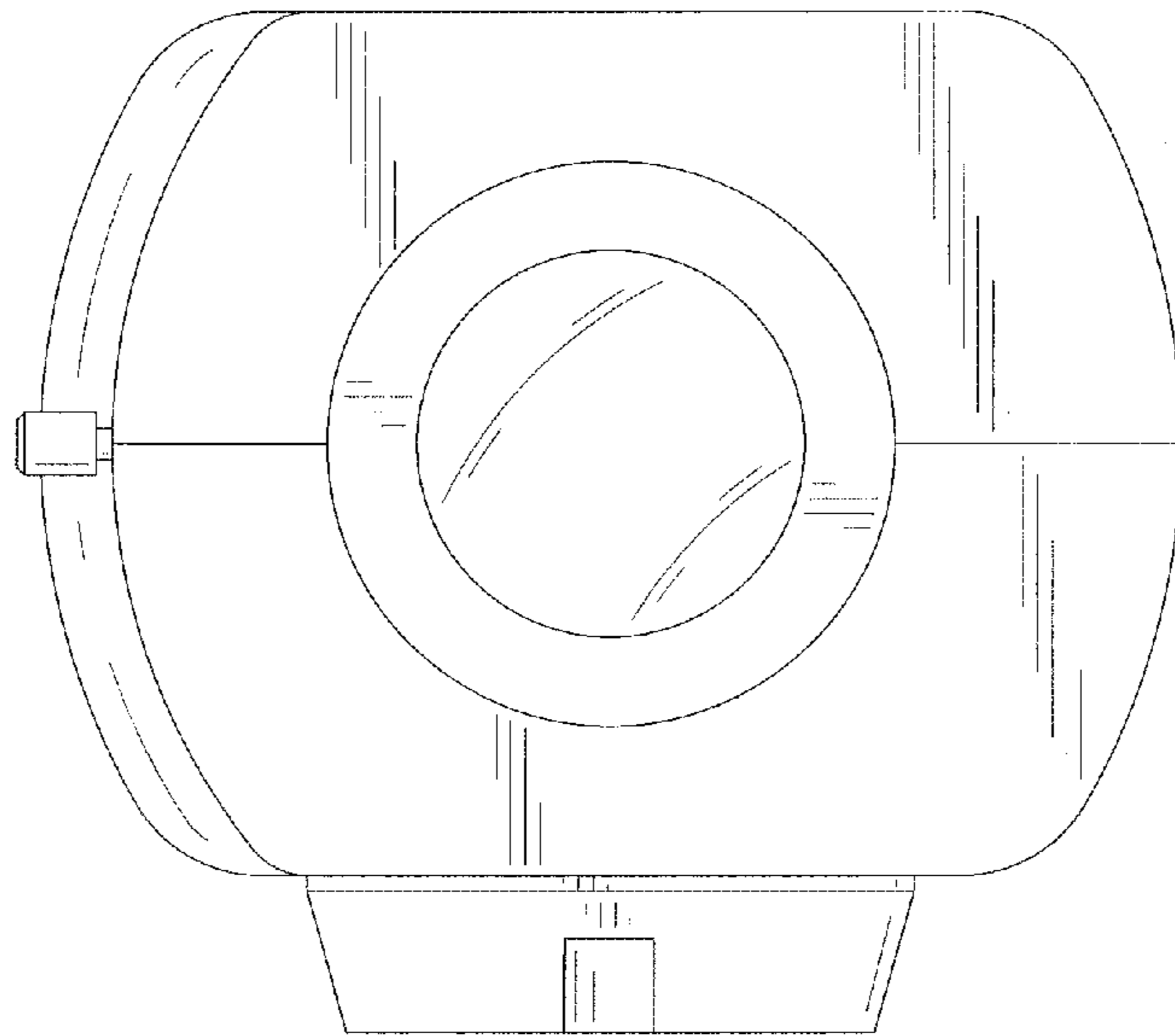


FIG. 4

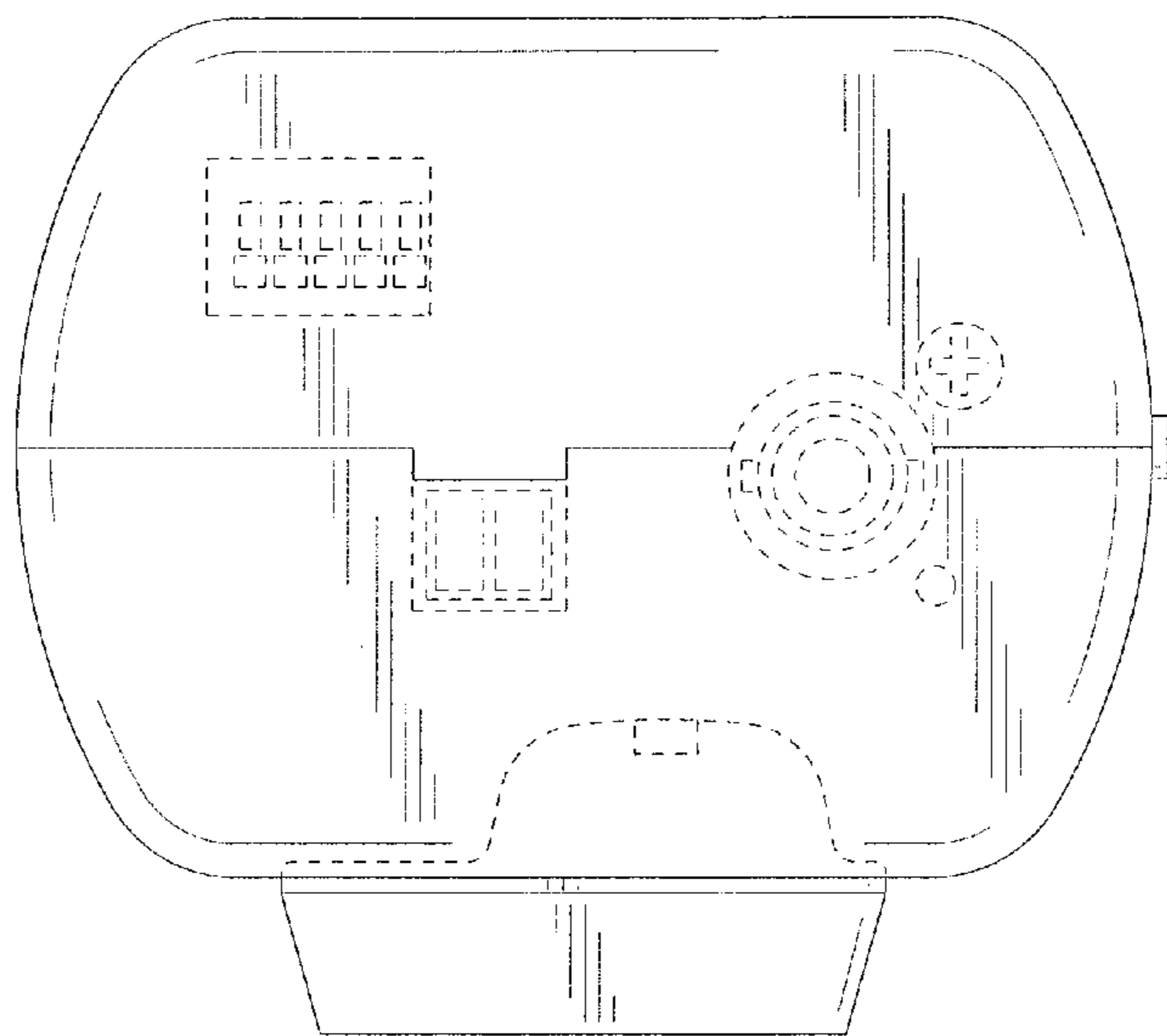


FIG. 5

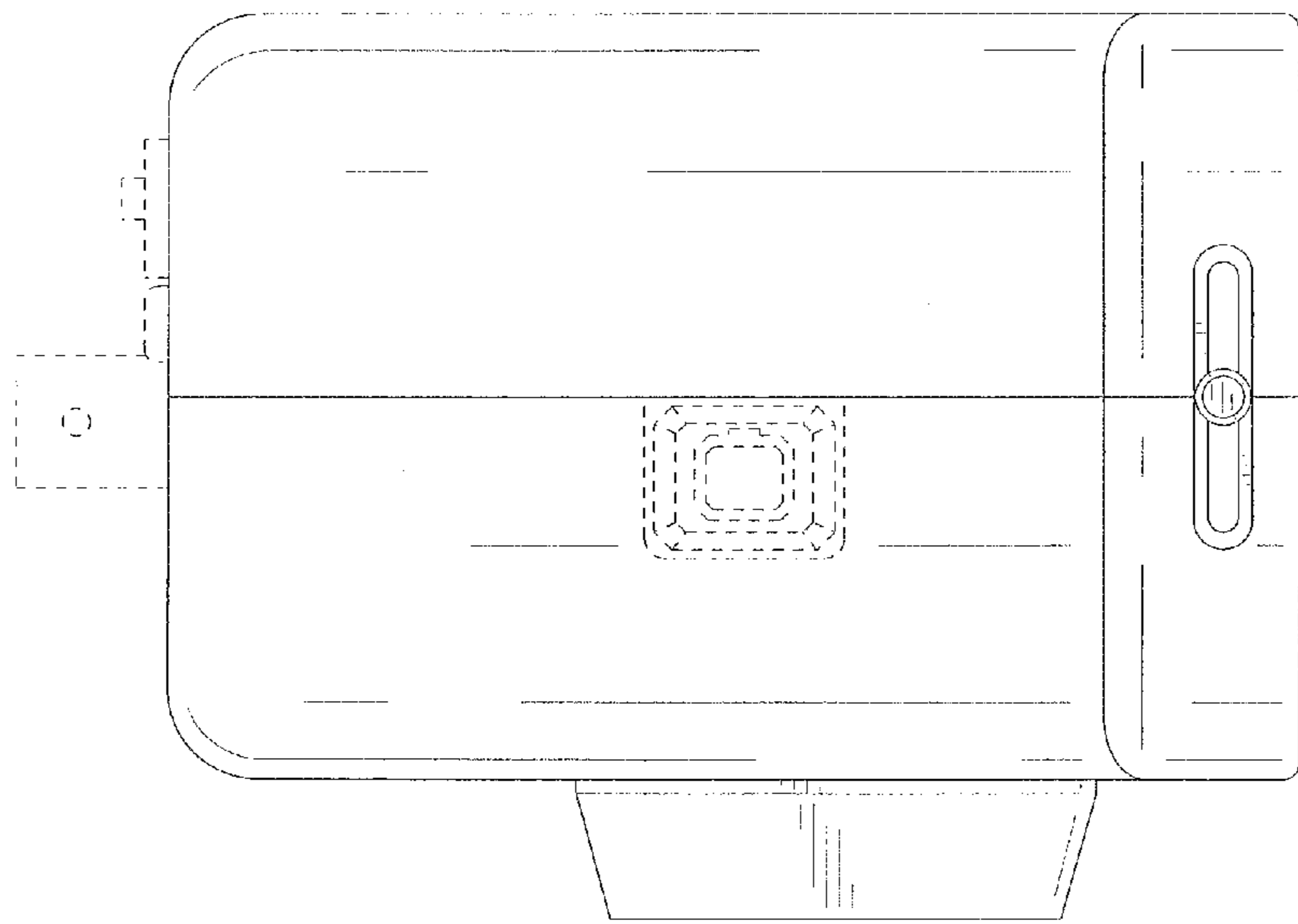


FIG. 6

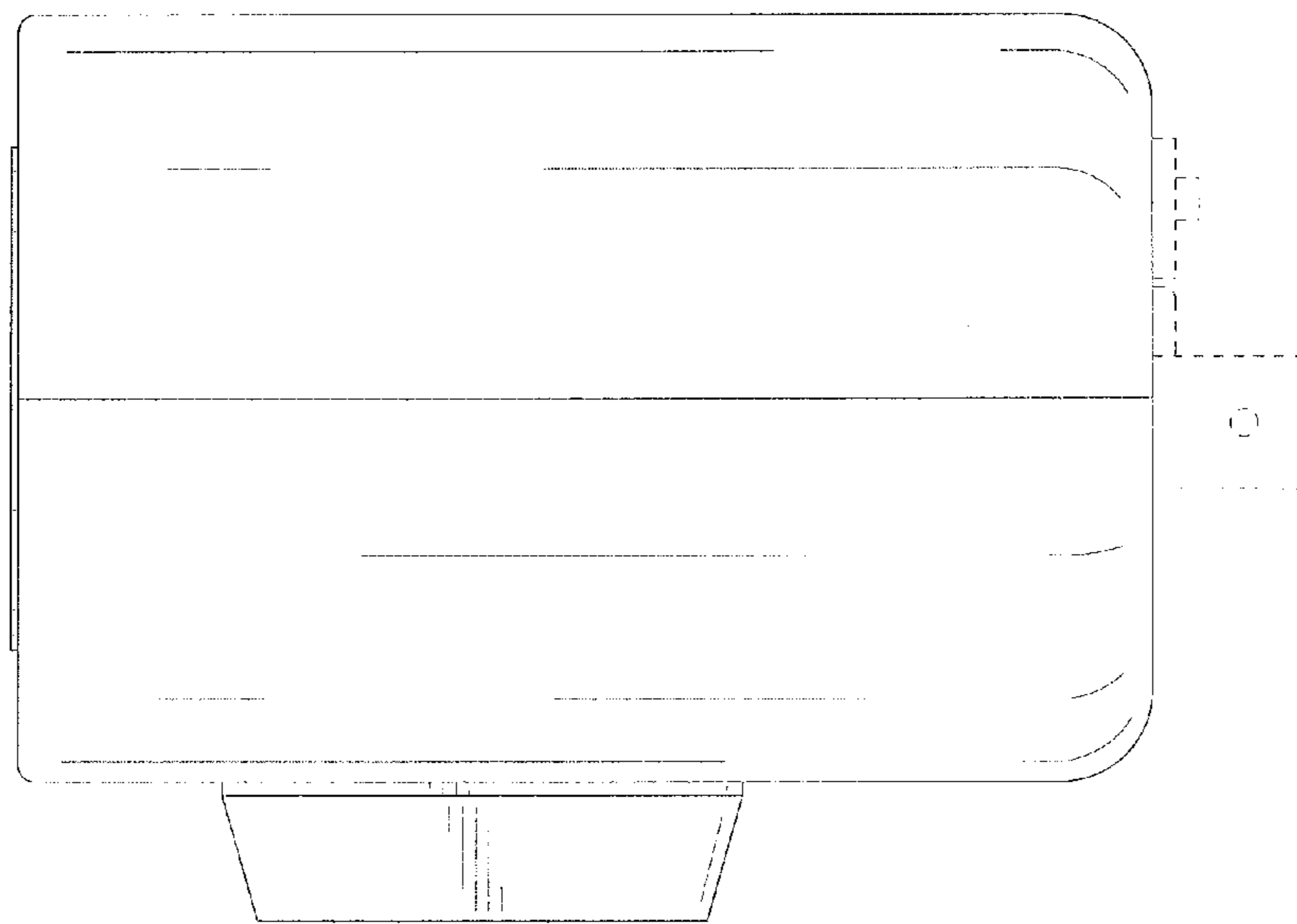


FIG. 7

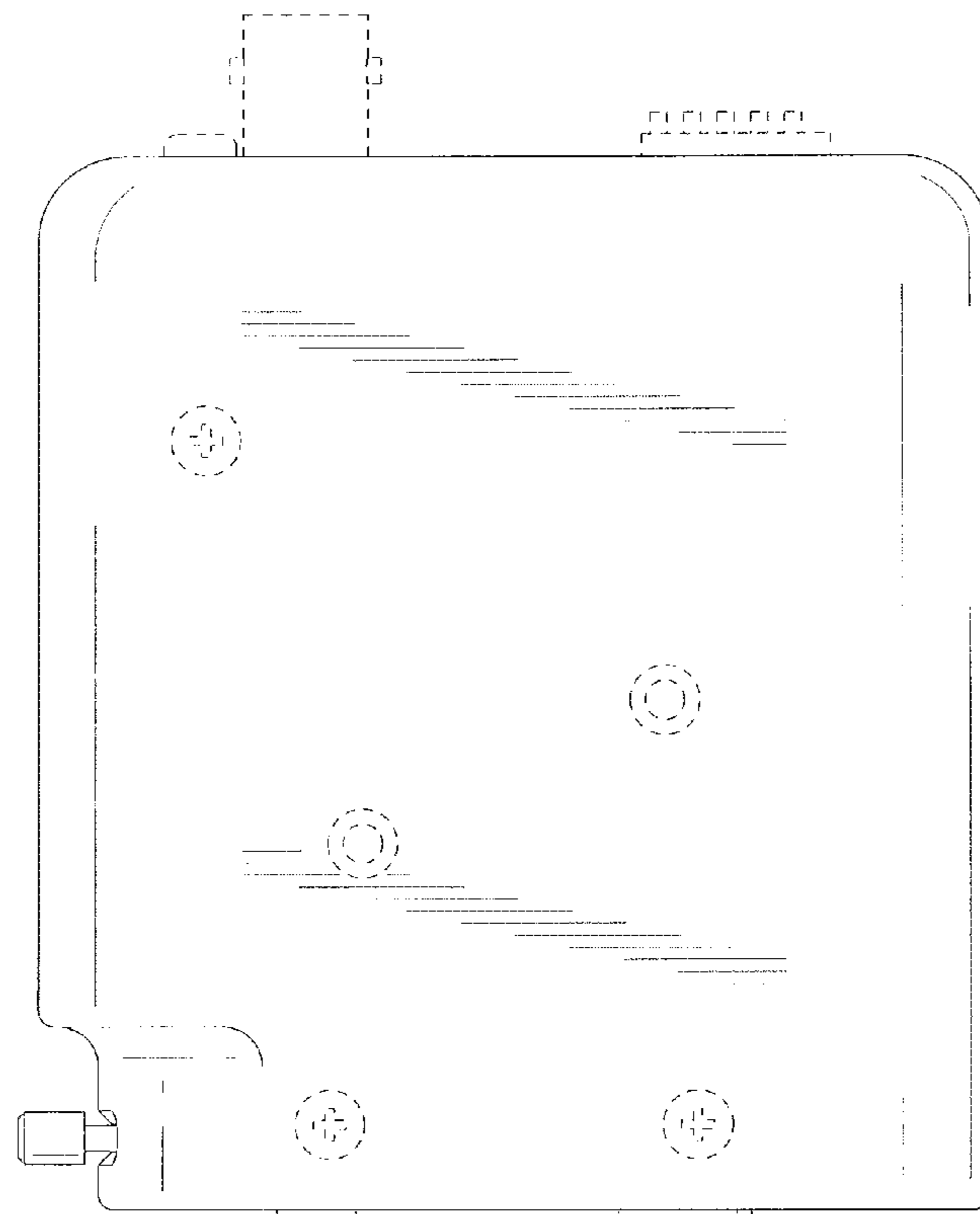


FIG. 8

