



US00D668278S

(12) **United States Design Patent**  
**Miyake et al.**

(10) **Patent No.:** **US D668,278 S**  
(45) **Date of Patent:** **\*\* Oct. 2, 2012**

(54) **WIRE ELECTRIC DISCHARGE MACHINE**

(75) Inventors: **Takanori Miyake**, Chiyoda-Ku (JP);  
**Hisashi Hara**, Chiyoda-Ku (JP)

(73) Assignee: **Mitsubishi Electric Corporation**,  
Tokyo (JP)

(\*\*) Term: **14 Years**

(21) Appl. No.: **29/412,761**

(22) Filed: **Feb. 7, 2012**

(30) **Foreign Application Priority Data**

Aug. 8, 2011 (JP) ..... 2011-018085

(51) **LOC (9) Cl.** ..... **15-09**

(52) **U.S. Cl.** ..... **D15/127**

(58) **Field of Classification Search** ..... D15/127;  
219/20, 69.11-69.18; 318/571-572; 483/1,  
483/16

See application file for complete search history.

(56) **References Cited**

**U.S. PATENT DOCUMENTS**

5,175,408 A \* 12/1992 Takashima ..... 219/69.14  
D388,103 S \* 12/1997 Gotou et al. .... D15/127  
D415,175 S \* 10/1999 Lin ..... D15/127

D427,614 S \* 7/2000 Miyake et al. .... D15/127  
D428,025 S \* 7/2000 Miyake et al. .... D15/127  
6,246,024 B1 \* 6/2001 Hosaka ..... 219/69.12  
6,396,022 B1 \* 5/2002 Suzuki ..... 219/69.15  
D510,942 S \* 10/2005 Kuriki et al. .... D15/127  
D551,268 S \* 9/2007 Iwamoto et al. .... D15/127  
D635,595 S \* 4/2011 Hiroshima et al. .... D15/122  
D635,596 S \* 4/2011 Hiroshima et al. .... D15/122  
D636,796 S \* 4/2011 Hiroshima et al. .... D15/122  
D637,631 S \* 5/2011 Hiroshima et al. .... D15/122

\* cited by examiner

*Primary Examiner* — Patricia Palasik

(74) *Attorney, Agent, or Firm* — Sughrue Mion, PLLC

(57) **CLAIM**

The ornamental design for a wire electric discharge machine,  
as shown and described.

**DESCRIPTION**

FIG. 1 is a front, top and right side perspective view of a wire electric discharge machine, showing our new design; FIG. 2 is a front elevational view thereof; FIG. 3 is a rear elevational view thereof; FIG. 4 is a left side elevational view thereof; FIG. 5 is a right side elevational view thereof; FIG. 6 is a top plan view thereof; FIG. 7 is a bottom plan view thereof; and, FIG. 8 is a cross-sectional view thereof; taken along line 8-8 of FIG. 2, with the internal system omitted.

**1 Claim, 8 Drawing Sheets**

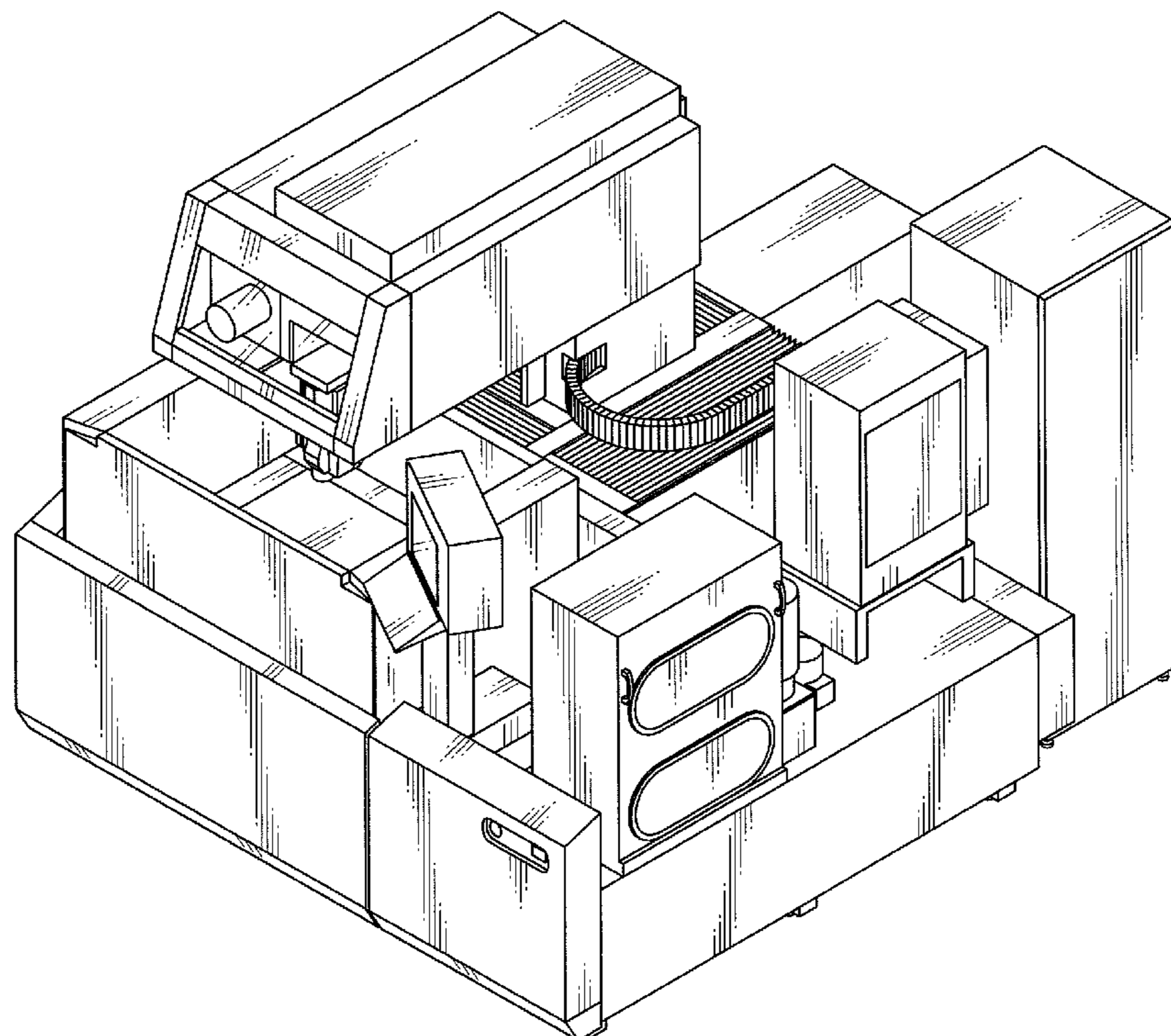


Fig. 1

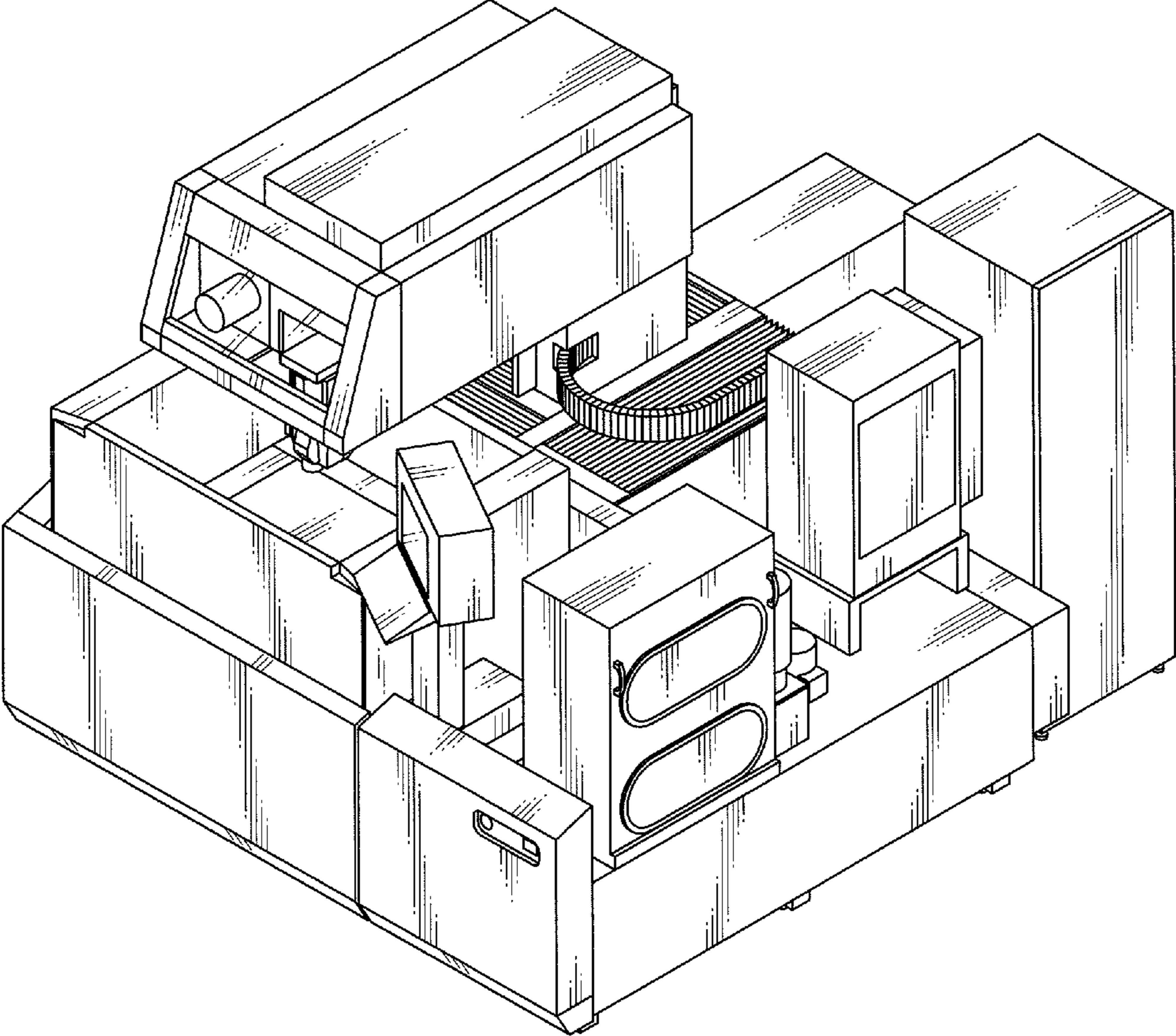


Fig. 2

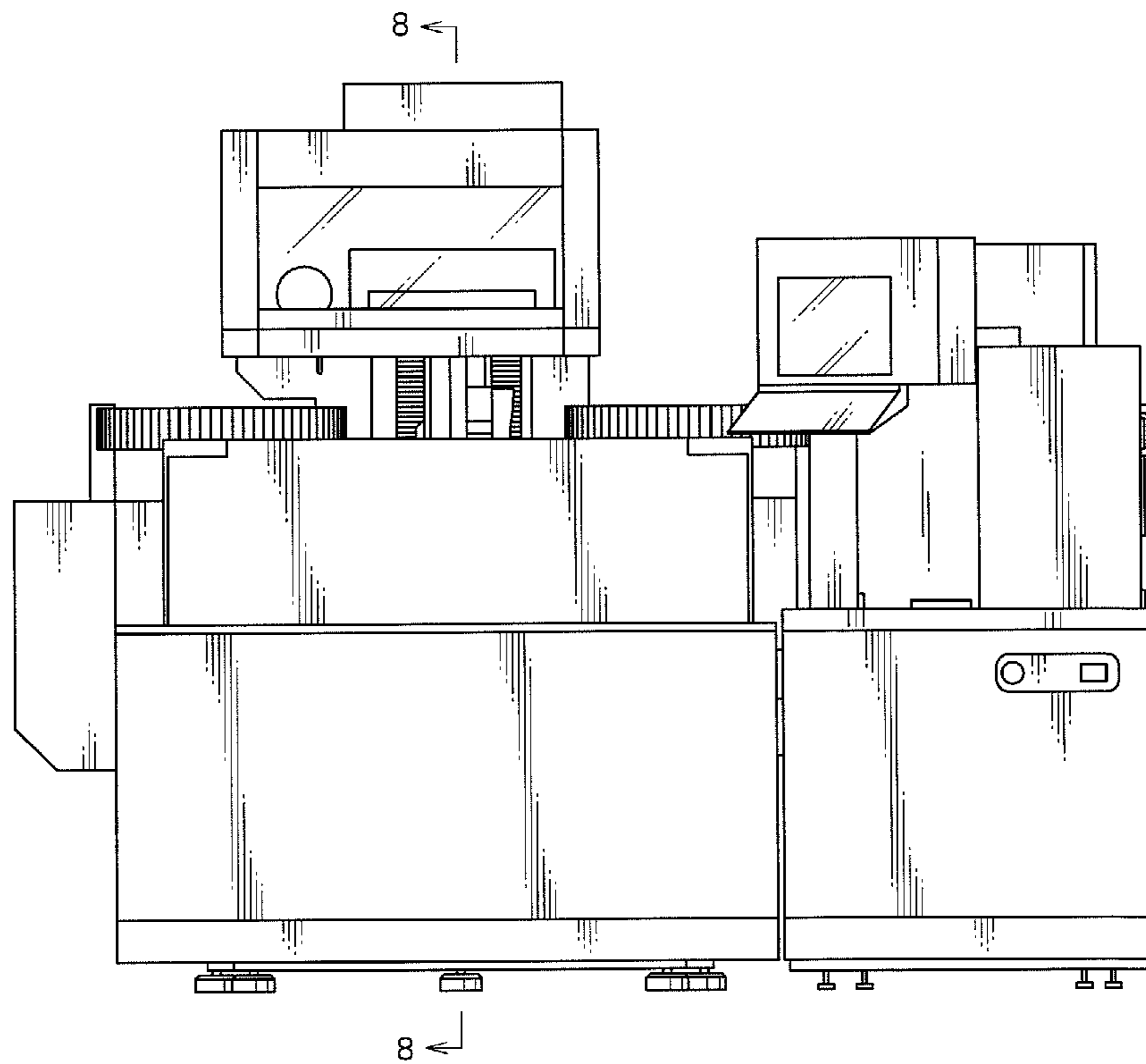


Fig. 3

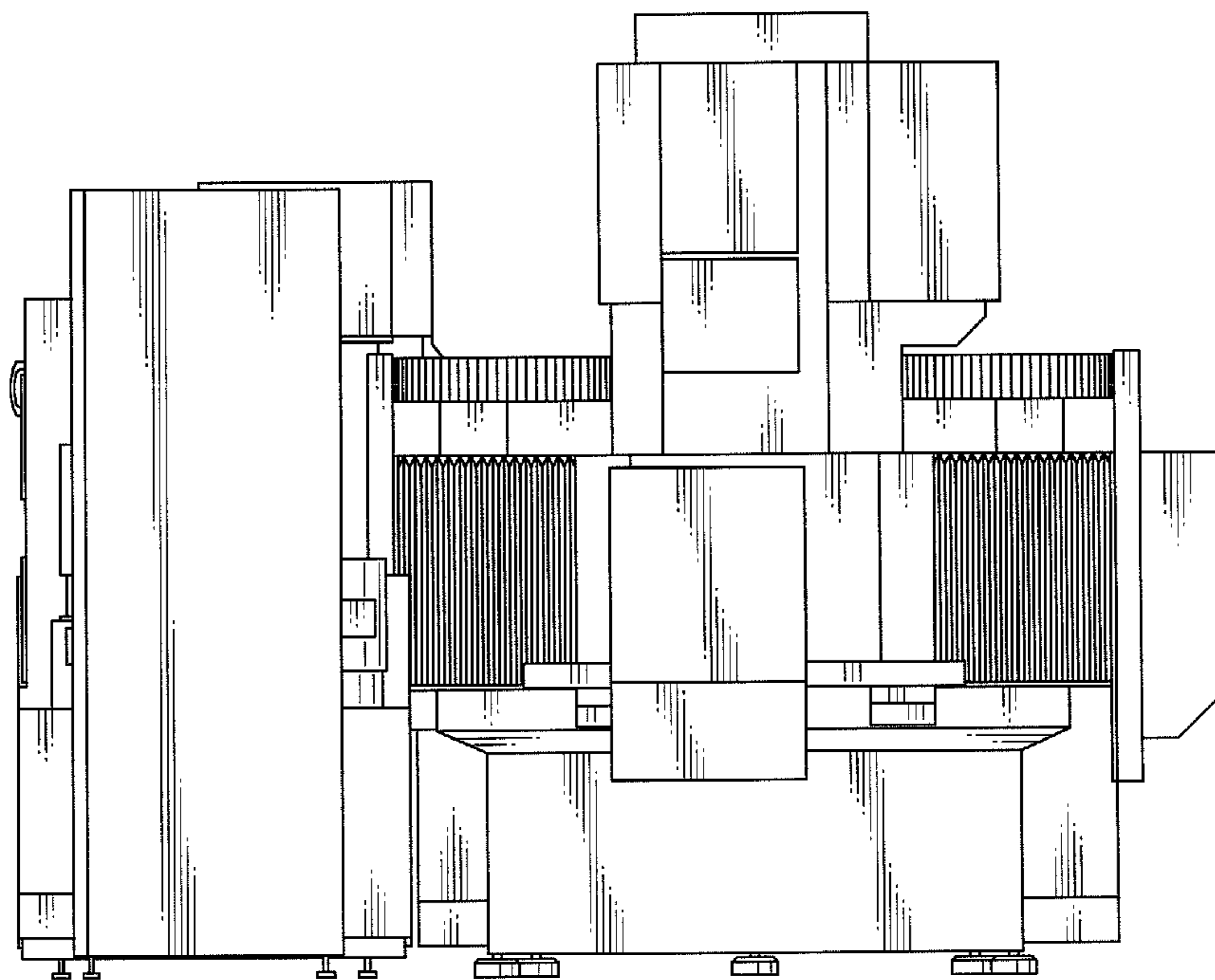


Fig. 4



Fig. 5

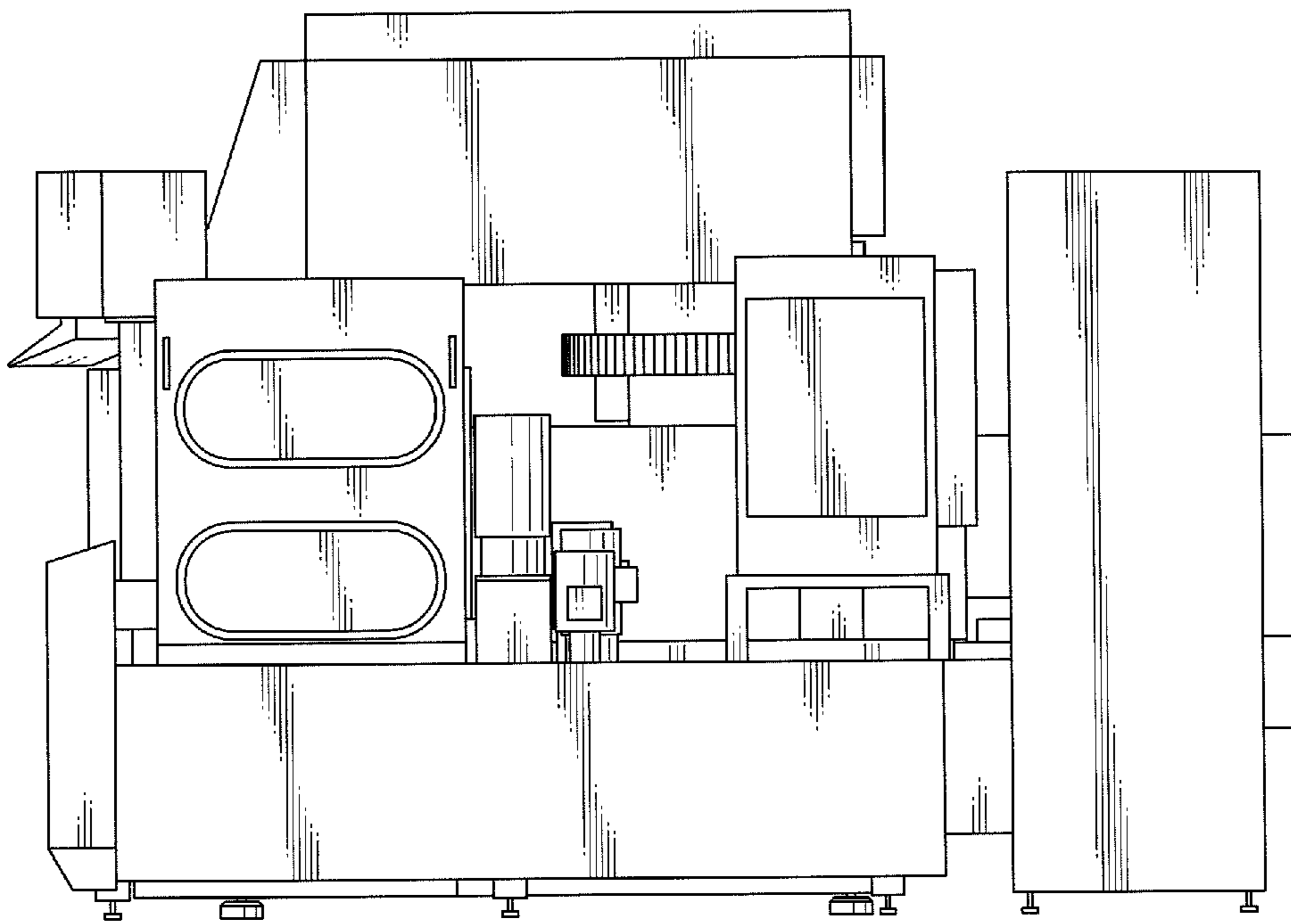


Fig. 6

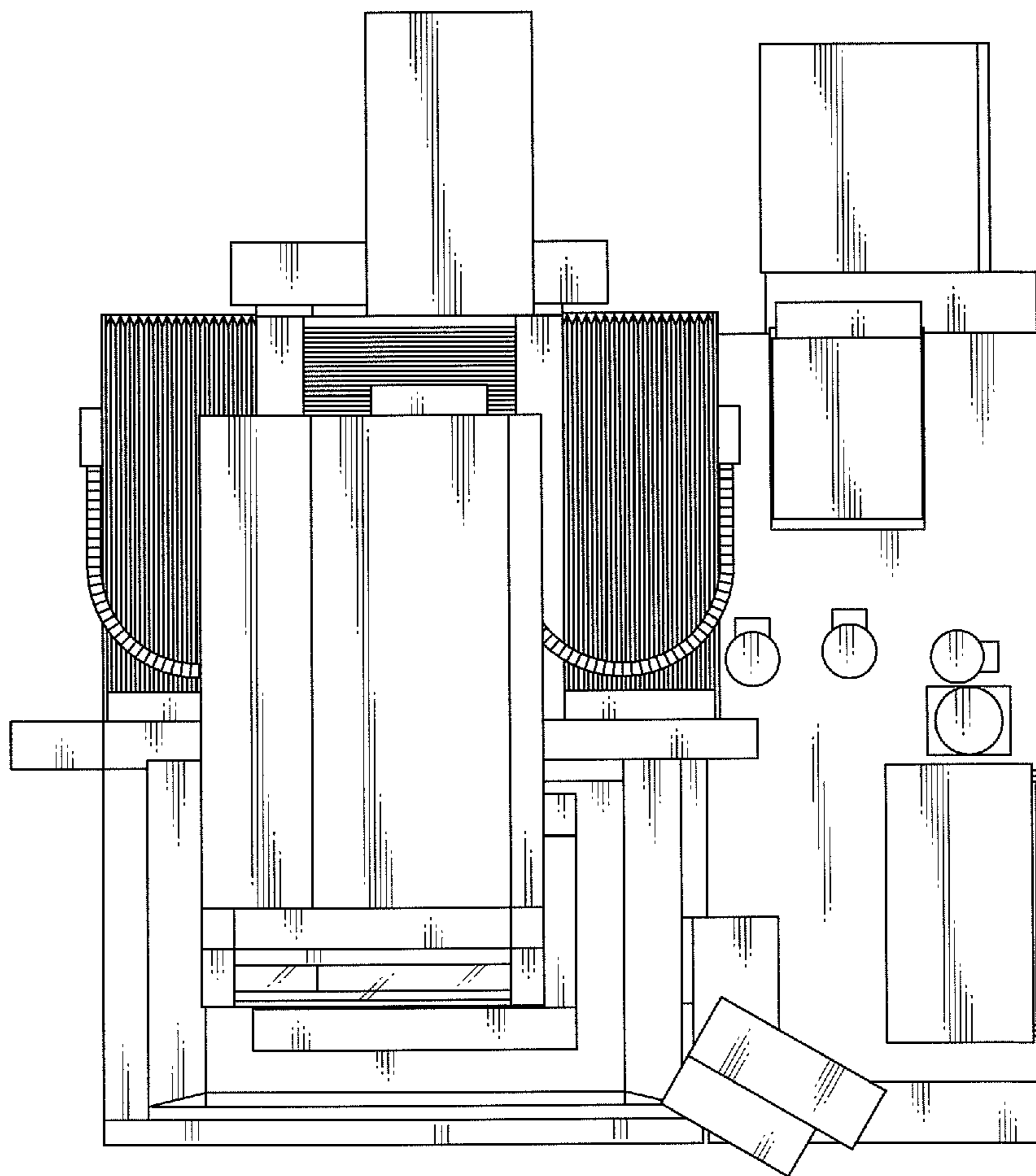


Fig. 7

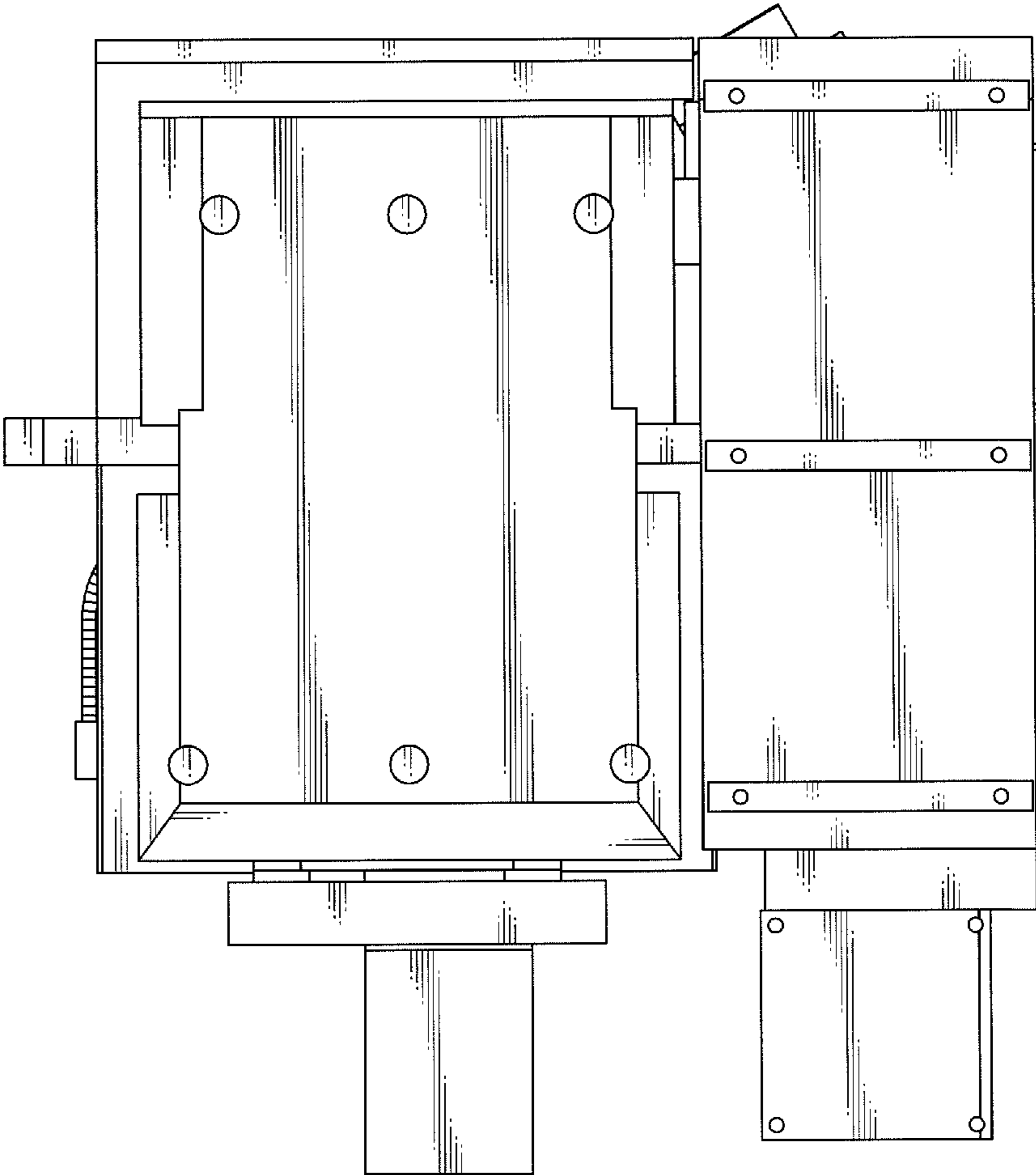




Fig. 8

