



US00D668275S

(12) **United States Design Patent**
LaFond et al.

(10) **Patent No.:** **US D668,275 S**
(45) **Date of Patent:** **** Oct. 2, 2012**

(54) **ICE MACHINE**

(75) Inventors: **Marty J. LaFond**, Algoma, WI (US);
William E. Olson, Jr., Bellevue, WI
(US); **Brad A. Blaha**, Two Rivers, WI
(US); **John T. Sara, III**, Cedarburg, WI
(US); **Douglas J. Carpiaux**, Milwaukee,
WI (US); **Meghan M. McGuire**,
Milwaukee, WI (US); **Dale S. DiIulio**,
Saukville, WI (US)

(73) Assignee: **Manitowoc Foodservice Companies
LLC**, Manitowoc, WI (US)

(**) Term: **14 Years**

(21) Appl. No.: **29/400,865**

(22) Filed: **Sep. 1, 2011**

Related U.S. Application Data

(62) Division of application No. 29/367,235, filed on Aug.
4, 2010, now Pat. No. Des. 649,565.

(51) **LOC (9) Cl.** **15-07**

(52) **U.S. Cl.** **D15/89**

(58) **Field of Classification Search** D15/79,
D15/81, 88, 91; 62/3.6-3.64, 293, 467, 246-254,
62/340, 344, 457.1-457.9; 312/400-408,
312/116, 119, 138.1, 139.1, 236; D8/310,
D8/313

See application file for complete search history.

(56) **References Cited**

U.S. PATENT DOCUMENTS

3,971,231 A 7/1976 Derry 62/388
D253,536 S * 11/1979 Shibata et al. D15/88
D292,098 S 9/1987 Pandolfi D15/82

D314,579 S 2/1991 Maxwell et al. D15/80
D317,454 S 6/1991 Matsumura et al. D15/83
D394,270 S 5/1998 Strandell et al. D15/80
D402,529 S * 12/1998 Husted D8/313

(Continued)

FOREIGN PATENT DOCUMENTS

AU 335222 S 11/2011

(Continued)

OTHER PUBLICATIONS

Australian Design Examination Report dated Nov. 21, 2011 for cor-
responding Australian Design Application No. 338258.

(Continued)

Primary Examiner — Mitchell Siegel

(74) *Attorney, Agent, or Firm* — Ohlandt, Greeley, Ruggiero
& Perle, L.L.P.

(57) **CLAIM**

The ornamental design for an ice machine, as shown and
described.

DESCRIPTION

FIG. 1 is a top perspective view of a display of an ice machine
of the present disclosure;

FIG. 2 is a front view of the display of FIG. 1;

FIG. 3 is a rear view of the display of FIG. 1;

FIG. 4 is a top view of the display of FIG. 1;

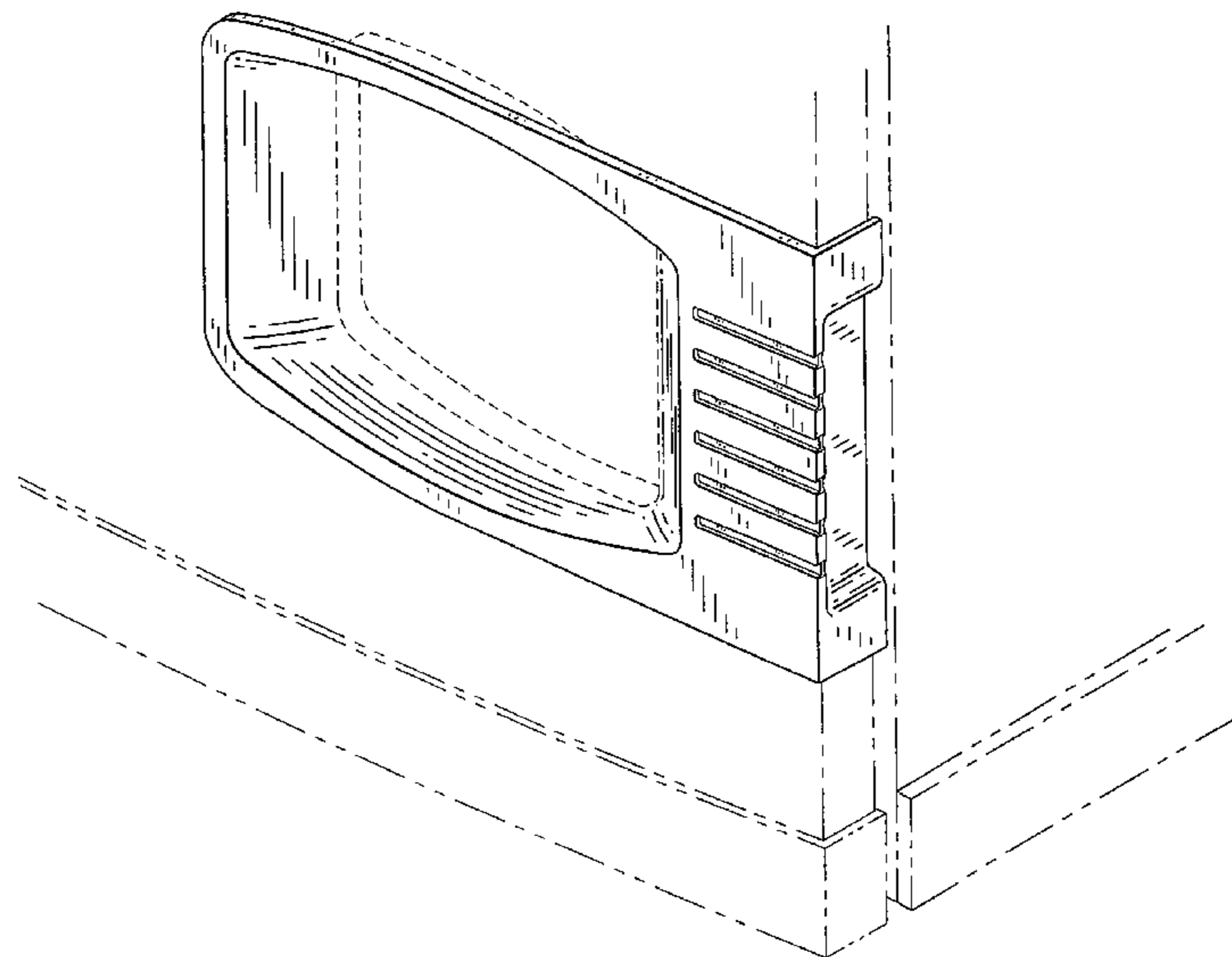
FIG. 5 is a bottom view of the display of FIG. 1;

FIG. 6 is a first side view of the display of FIG. 1; and,

FIG. 7 is a second side view of the display of FIG. 1.

The broken lines shown in the drawings are directed to envi-
ronmental structure or boundaries and are for illustrative pur-
poses only; the broken lines form no part of the claimed
design.

1 Claim, 5 Drawing Sheets



U.S. PATENT DOCUMENTS

D404,283	S *	1/1999	Schwartz	D8/313
D430,174	S *	8/2000	Negrao et al.	D15/89
D431,576	S	10/2000	Okuda	D15/80
D502,950	S *	3/2005	Moraes De Sa Cavalcanti et al.	D15/89
D504,902	S *	5/2005	Tunzi	D15/91
D508,197	S *	8/2005	Baldwin et al.	D8/313
D510,012	S *	9/2005	Woods	D8/310
D521,536	S *	5/2006	Reese et al.	D15/89
D526,338	S	8/2006	McDougal et al.	D15/80
D548,249	S	8/2007	Okamoto et al.	D15/84
D557,716	S	12/2007	Okuda et al.	D15/80
D566,140	S *	4/2008	Ikeda	D15/89
D597,107	S	7/2009	Ohtake	D15/80
D61,825	S	6/2010	Hanamure et al.	D15/79
D618,257	S *	6/2010	Hanamure et al.	D15/79
D653,682	S *	2/2012	Herning et al.	D15/81

FOREIGN PATENT DOCUMENTS

EM	001257901-0001	4/2011
EM	001257901-0002	4/2011

OTHER PUBLICATIONS

The “Indigo series Ice Cube Machine” published on <http://manitowocice.com/?xhtml=xhtml/mii/us/en/general/product.html&productdata=xhtml/mii/us/en/product/i850.html&xsl=productdata.xsl&category=0145> internet site on Jun. 12, 2011. Evidence of this publication date was obtained from the Internet Archive Wayback Machine, which can be found online at <http://www.archive.org>.
 Australian Design Examination Report dated Nov. 22, 2011 for corresponding Australian Design Application No. 338261.
 The “QuietQube”, which was published on the <http://www.manitowocice.com/?xhtml=xhtml/mii/us/en/general/productcatalog.html&xsl=productcatalog.xsl&coc=mii&category=0144> internet site on Jun. 11, 2011. Evidence of this publication date was obtained from the Internet Archive Wayback Machine, which can be found online at <http://www.archive.org>.
 Australian Design Examination Report dated Nov. 21, 2011 for corresponding Australian Design Application No. 338260.
 Design Examination Report dated Jun. 20, 2011 for corresponding Australian Design Registration No. 335222.

* cited by examiner

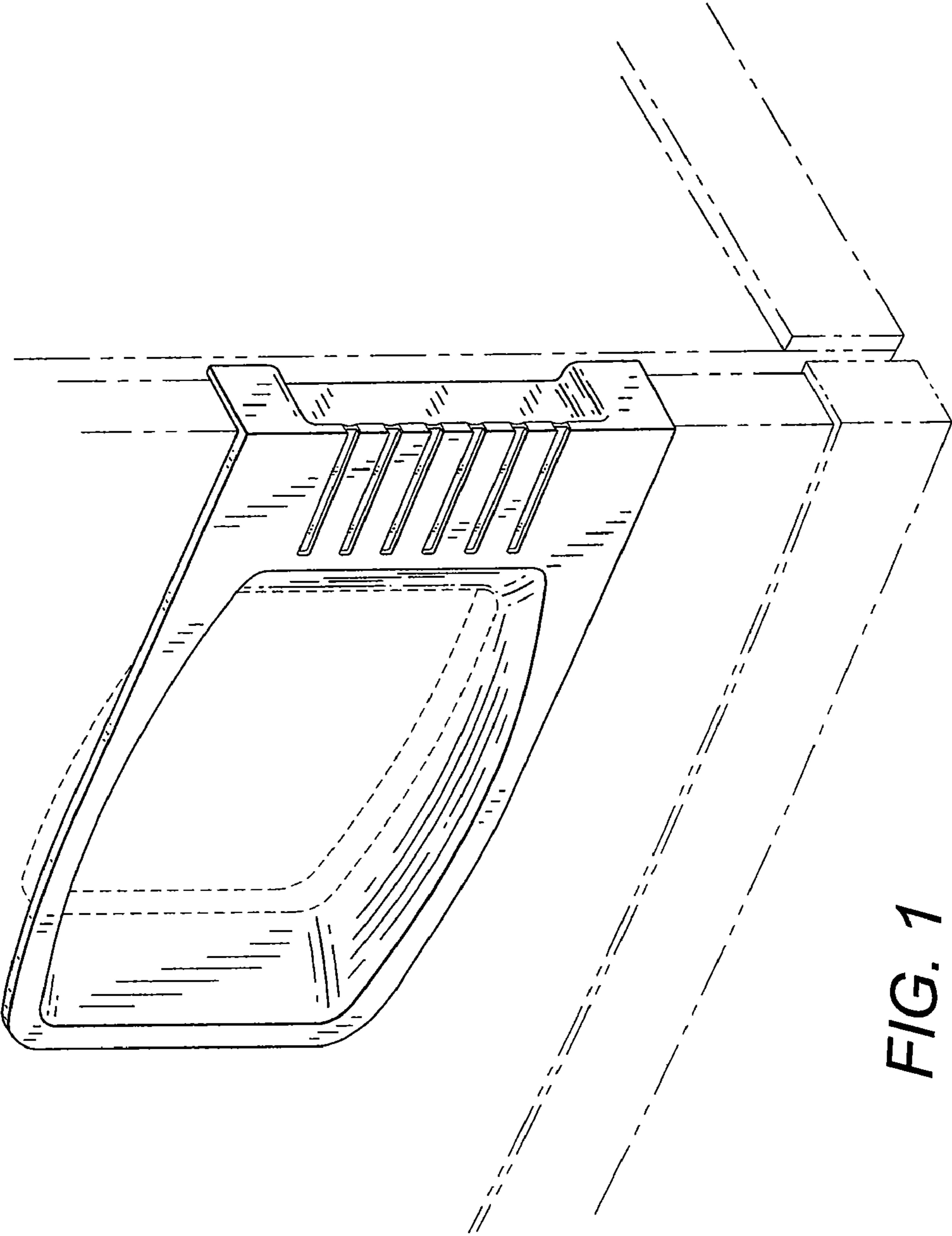


FIG. 1

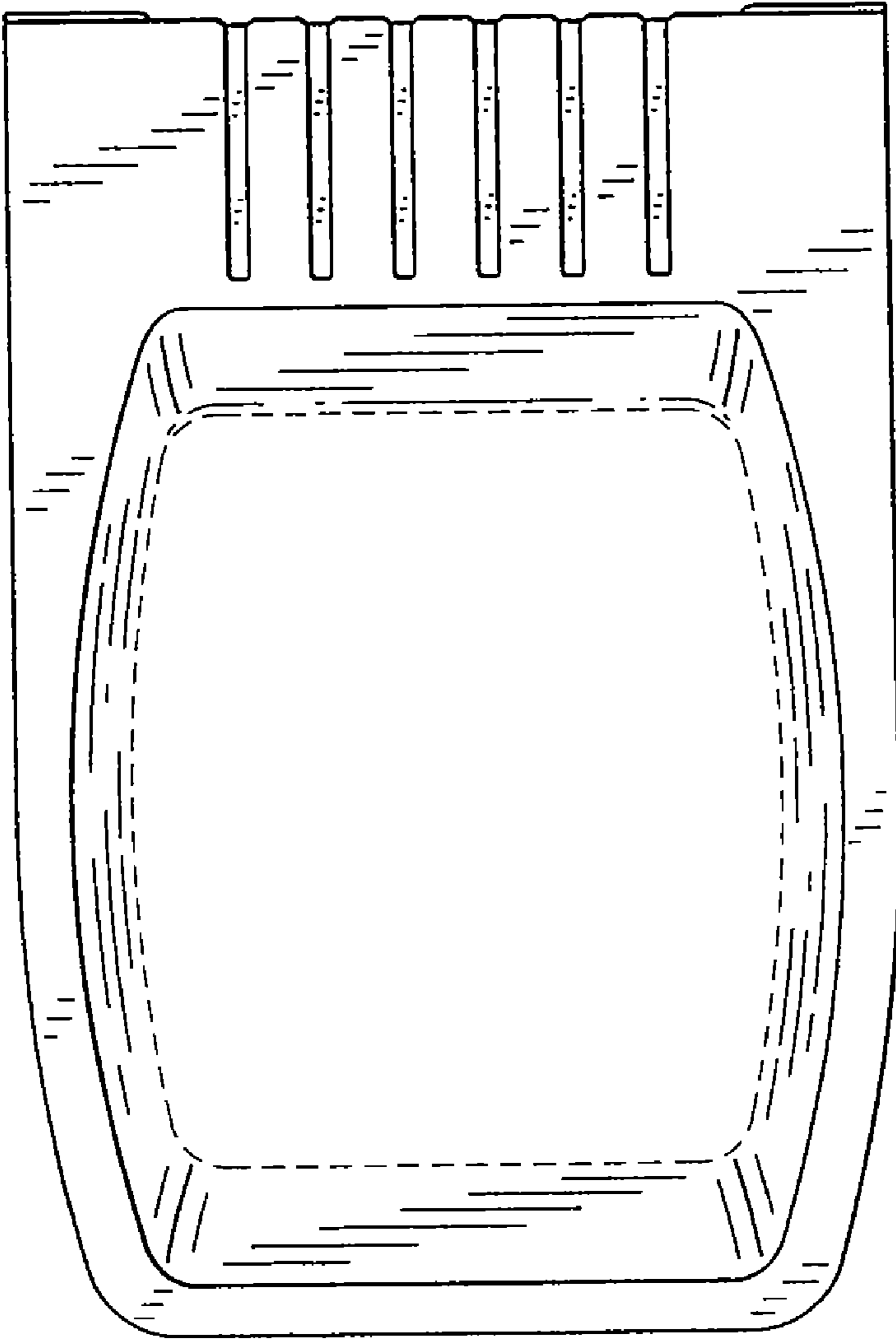


FIG. 2

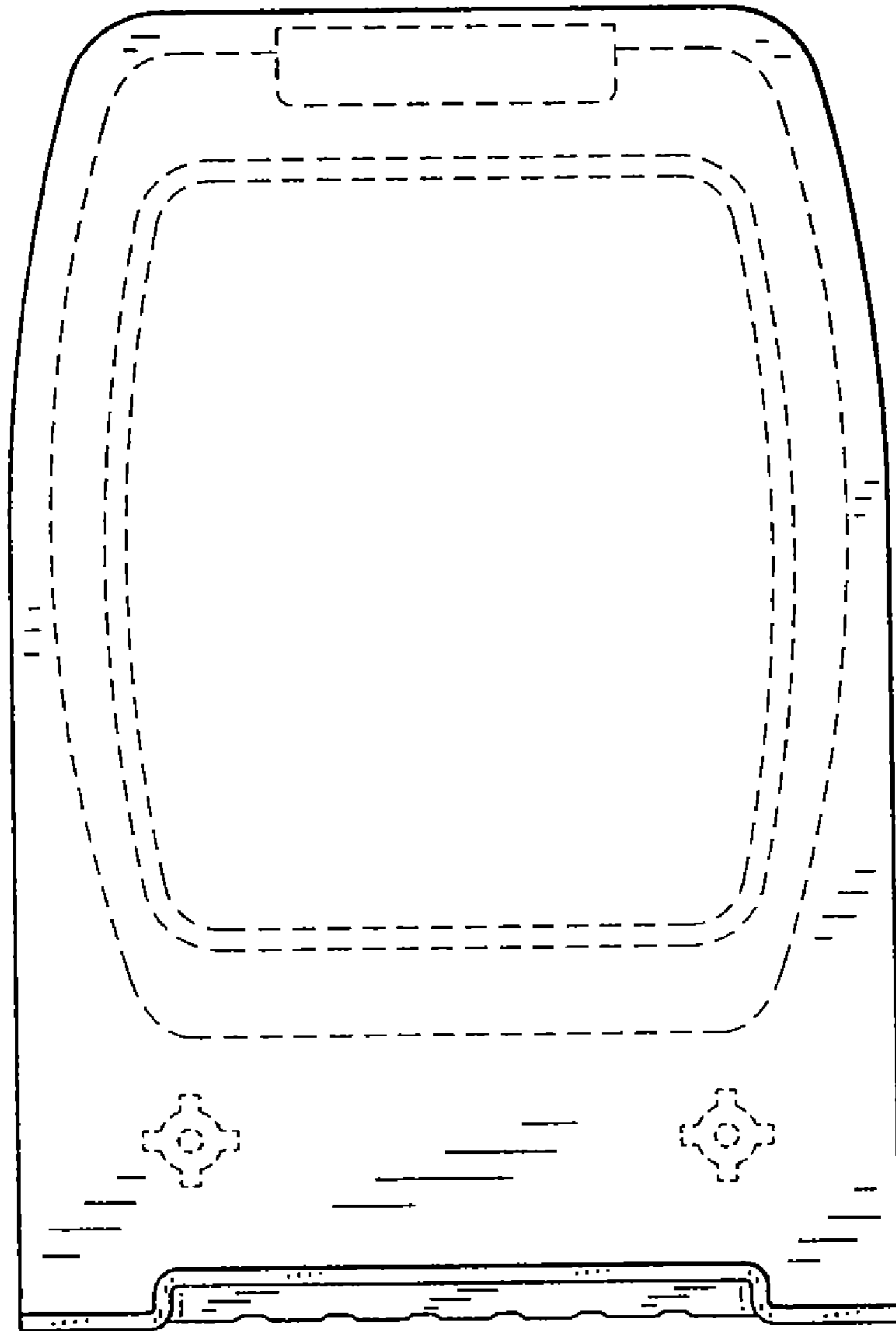


FIG. 3

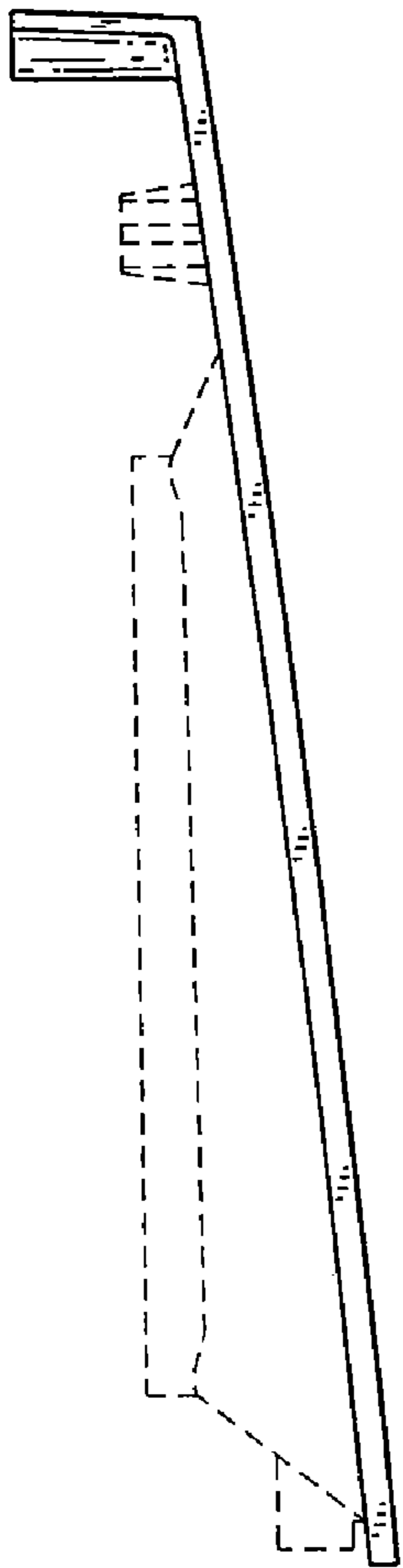


FIG. 4

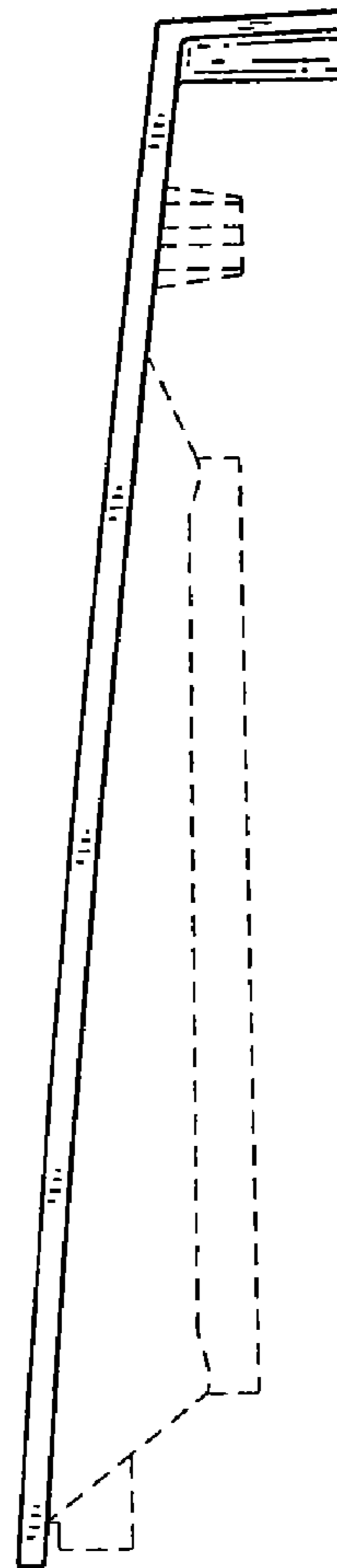


FIG. 5

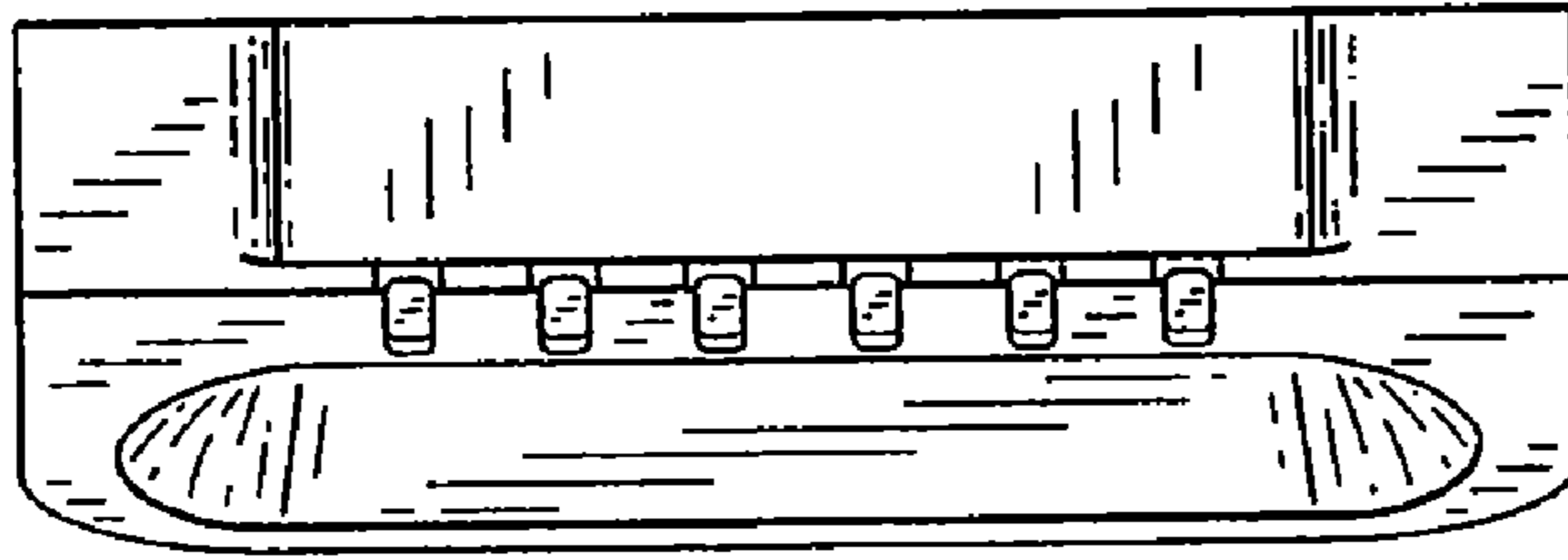


FIG. 7

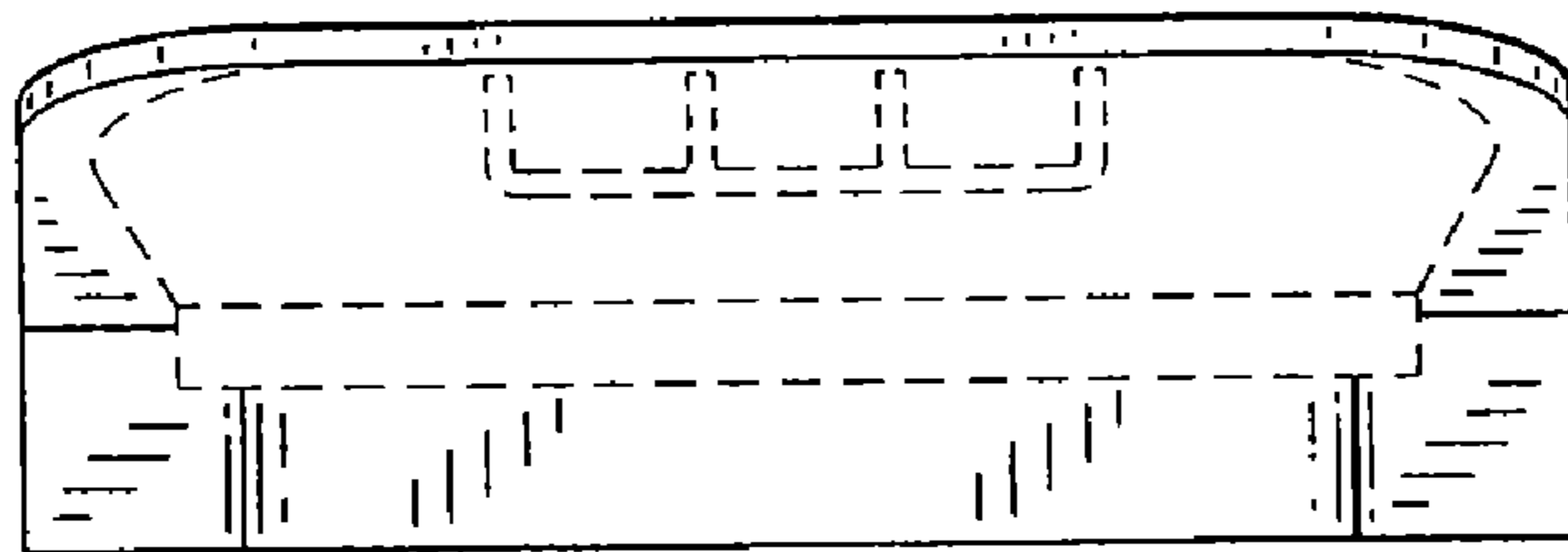


FIG. 6