



US00D668272S

(12) **United States Design Patent**
Ebelt et al.

(10) **Patent No.:** **US D668,272 S**

(45) **Date of Patent:** **** Oct. 2, 2012**

(54) **ICE MACHINE**

D422,286 S * 4/2000 Choi et al. D15/81
D431,576 S 10/2000 Okuda D15/80
D522,538 S * 6/2006 Chan D15/81

(75) Inventors: **Brian A. Ebelt**, Manitowoc, WI (US);
William E. Olson, Jr., Bellevue, WI
(US); **John T. Sara, III**, Cedarburg, WI
(US)

(Continued)

FOREIGN PATENT DOCUMENTS

AU 335222 S 11/2011

(Continued)

(73) Assignee: **Manitowoc Foodservice Companies**
LLC, Manitowoc, WI (US)

OTHER PUBLICATIONS

(**) Term: **14 Years**

Design Examination Report dated Jun. 20, 2011 for corresponding
Australian Design Registration No. 335222.

(21) Appl. No.: **29/385,252**

(Continued)

(22) Filed: **Feb. 10, 2011**

(51) **LOC (9) Cl.** **15-07**

Primary Examiner — Mitchell Siegel

(52) **U.S. Cl.** **D15/81; D15/80**

(74) *Attorney, Agent, or Firm* — Ohlandt, Greeley, Ruggiero
& Perle, L.L.P

(58) **Field of Classification Search** D15/79,
D15/81, 88, 91; 62/3.6–3.64, 293, 467, 246–254,
62/340, 344, 457.1–457.9; 312/400–408,
312/116, 119, 138.1, 139.1, 236

(57) **CLAIM**

The ornamental design for the ice machine, as shown and
described.

See application file for complete search history.

DESCRIPTION

(56) **References Cited**

FIG. 1 is a front view of an ice machine according to the
present invention;

U.S. PATENT DOCUMENTS

D163,079 S * 4/1951 Whitmore D15/83
D205,544 S * 8/1966 Smith D15/83
D205,545 S * 8/1966 Smith D15/83
3,862,880 A * 1/1975 Feldman 428/319.9
3,971,231 A * 7/1976 Derry 62/388
D253,536 S * 11/1979 Shibata et al. D15/88
D292,098 S * 9/1987 Pandolfi D15/82
D299,391 S * 1/1989 Meehan D15/83
D314,579 S * 2/1991 Maxwell et al. D15/80
D317,454 S * 6/1991 Matsumura et al. D15/83
D358,823 S * 5/1995 Grant D15/83
5,671,991 A * 9/1997 Grant 312/406
D394,270 S * 5/1998 Strandell et al. D15/80

FIG. 2 is a rear view of the ice machine of FIG. 1;

FIG. 3 is a side view of the ice machine of FIG. 1;

FIG. 4 is a side view of the ice machine of FIG. 1 that is
opposite the side view of FIG. 3;

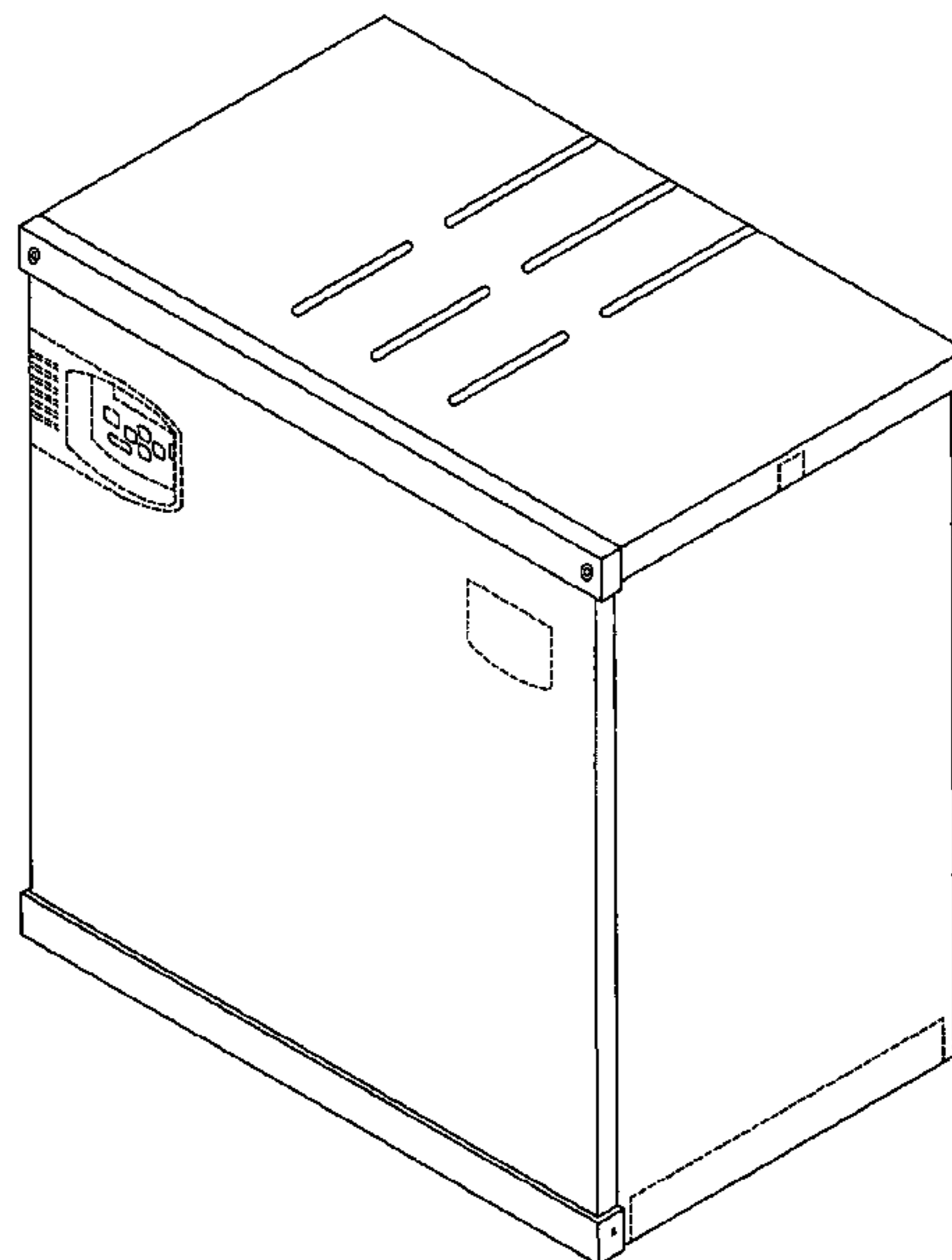
FIG. 5 is a top view of the ice machine of FIG. 1;

FIG. 6 is a bottom view of the ice machine of FIG. 1; and,

FIG. 7 is a top side perspective view of the ice machine of
FIG. 1.

The broken lines in the drawings illustrating environmental
structure form no part of the claimed design.

1 Claim, 7 Drawing Sheets



US D668,272 S

Page 2

U.S. PATENT DOCUMENTS

D526,338	S	8/2006	McDougal et al.	D15/80
D539,312	S *	3/2007	Kim	D15/81
D540,831	S *	4/2007	Kim et al.	D15/81
D548,249	S	8/2007	Okamoto	D15/84
D557,716	S	12/2007	Okuda et al.	D15/80
D568,909	S *	5/2008	Santiago	D15/81
D594,483	S *	6/2009	Cefalu	D15/81
D597,107	S	7/2009	Ohtake	D15/80
D618,257	S *	6/2010	Hanamure et al.	D15/79
D653,682	S *	2/2012	Herning et al.	D15/81

FOREIGN PATENT DOCUMENTS

EM	001257901-0001	4/2011
EM	001257901-0002	4/2011

OTHER PUBLICATIONS

Australian Design Examination Report dated Nov. 21, 2011 for corresponding Australian Design Application No. 338258.

The “Indigo series Ice Cube Machine” published on <http://manitowocice.com/?xhtml=xhtml/mii/us/en/general/product.html&productdata=xhtml/mii/us/en/product/i850.html&xsl=productdata.xsl&category=0145> internet site on Jun. 12, 2011. Evidence of this publication date was obtained from the Internet Archive Wayback Machine, which can be found online at <http://www.archive.org>.

Australian Design Examination Report dated Nov. 22, 2011 for corresponding Australian Design Application No. 338261.

The “QuietQube”, which was published on the <http://www.manitowocice.com/?xhtml=xhtml/mii/us/en/general/productcatalog.html&xsl=productcatalog.xsl&coc=mii&category=0144> internet site on Jun. 11, 2011. Evidence of this publication date was obtained from the Internet Archive Wayback Machine, which can be found online at <http://www.archive.org>.

Australian Design Examination Report dated Nov. 21, 2011 for corresponding Australian Design Application No. 338260.

Office Action dated Mar. 29, 2012 from Russian Patent Application No. 2011502455.

* cited by examiner

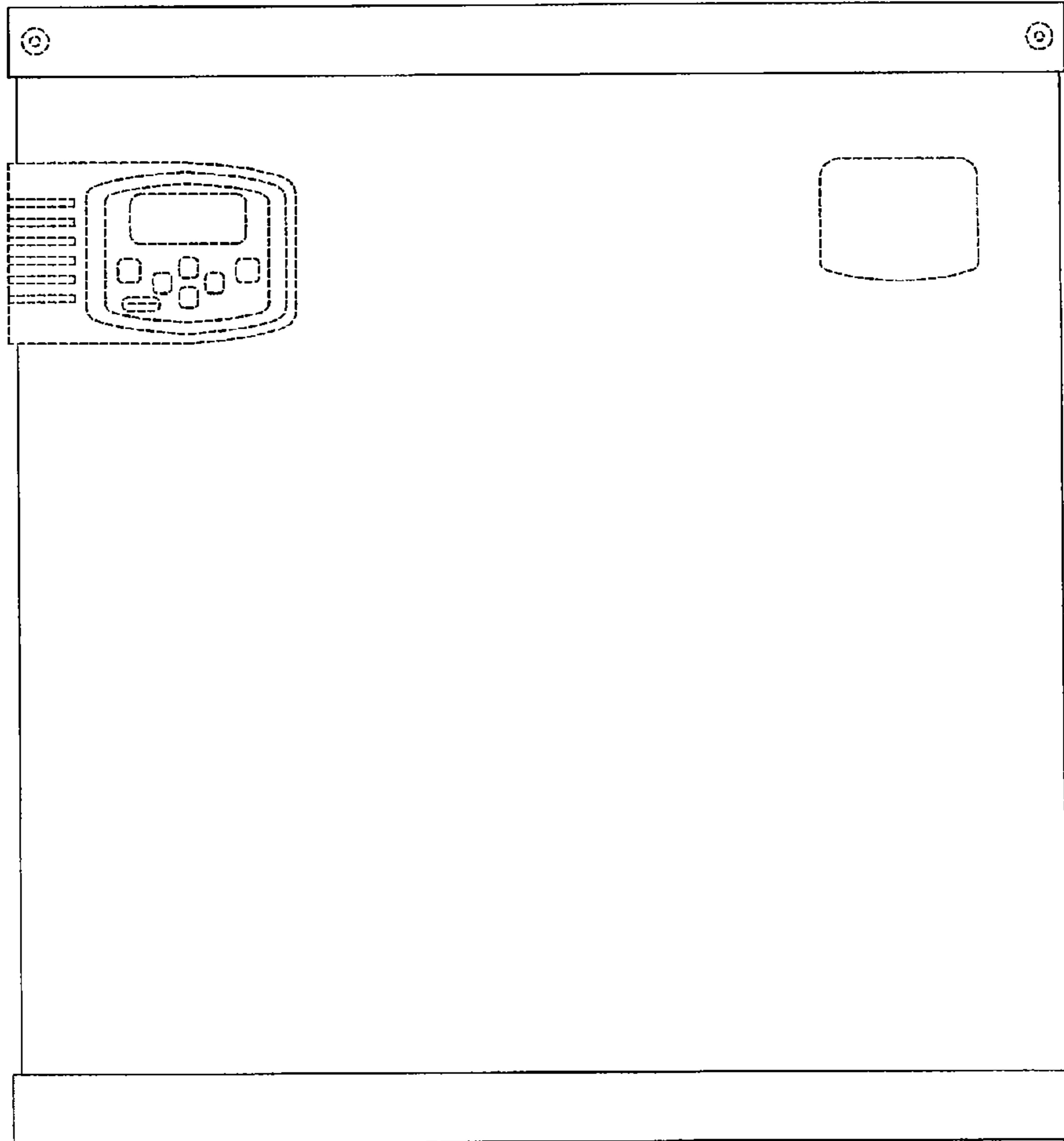


FIG. 1

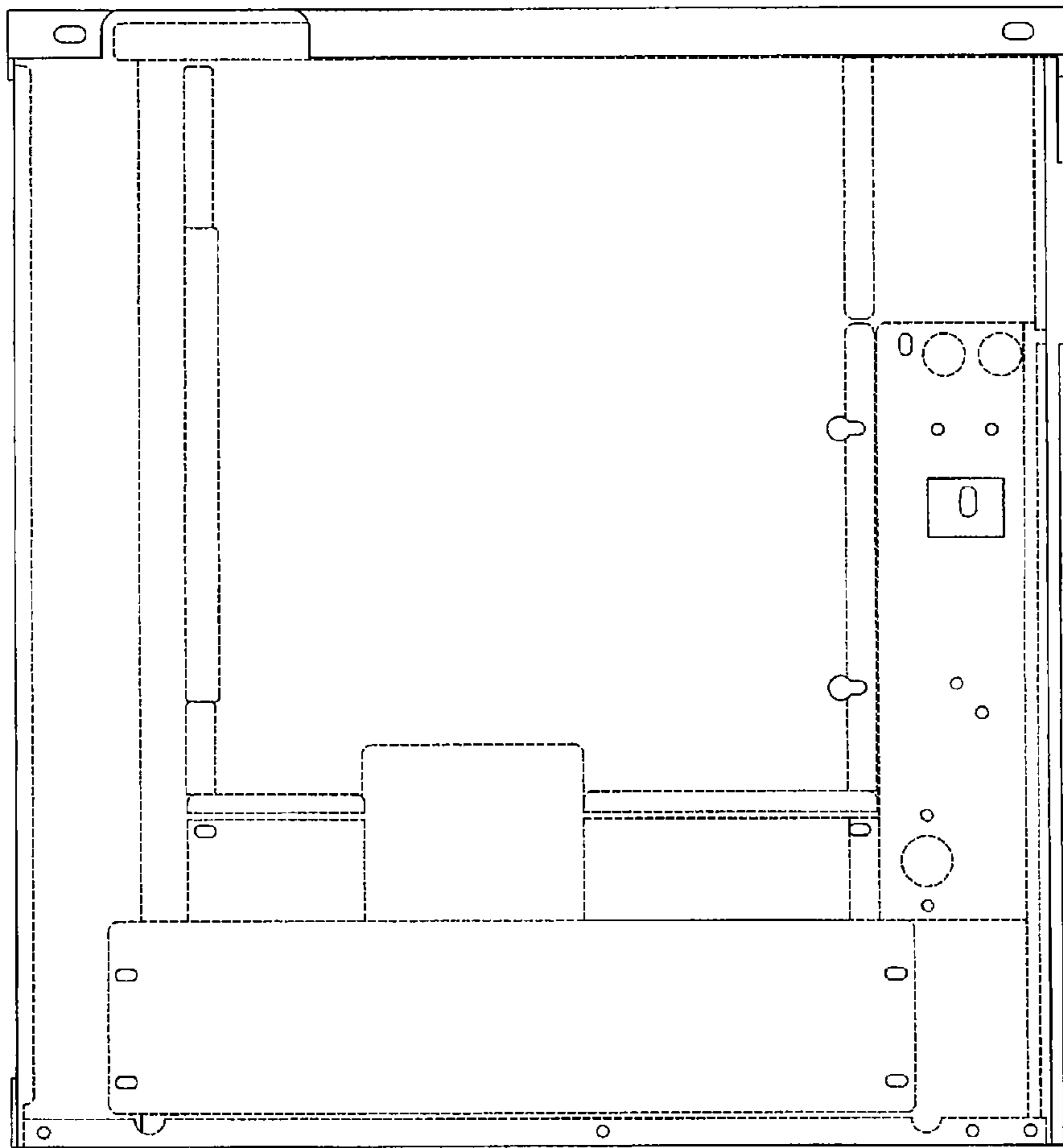


FIG. 2

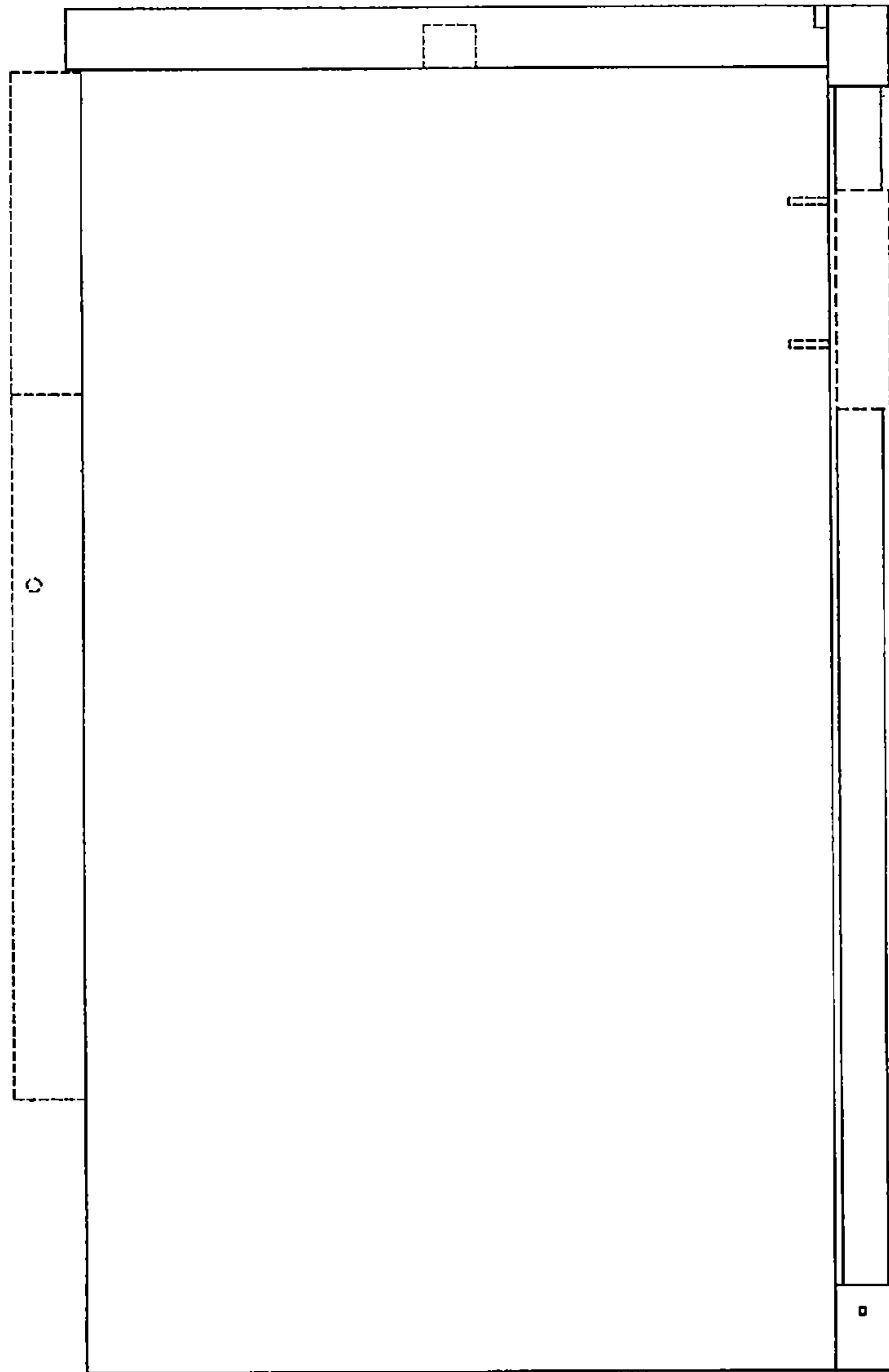


FIG. 3

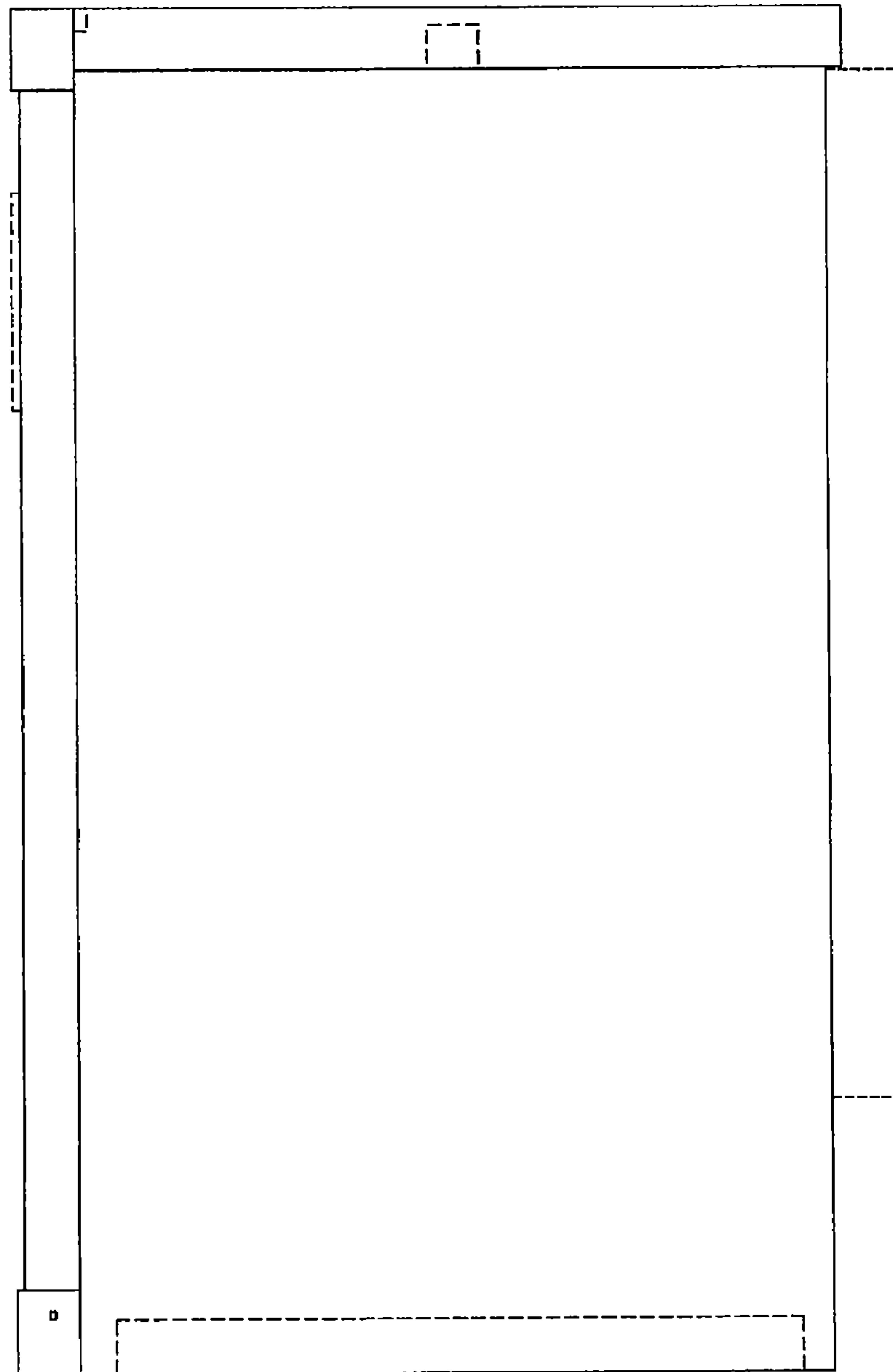


FIG. 4

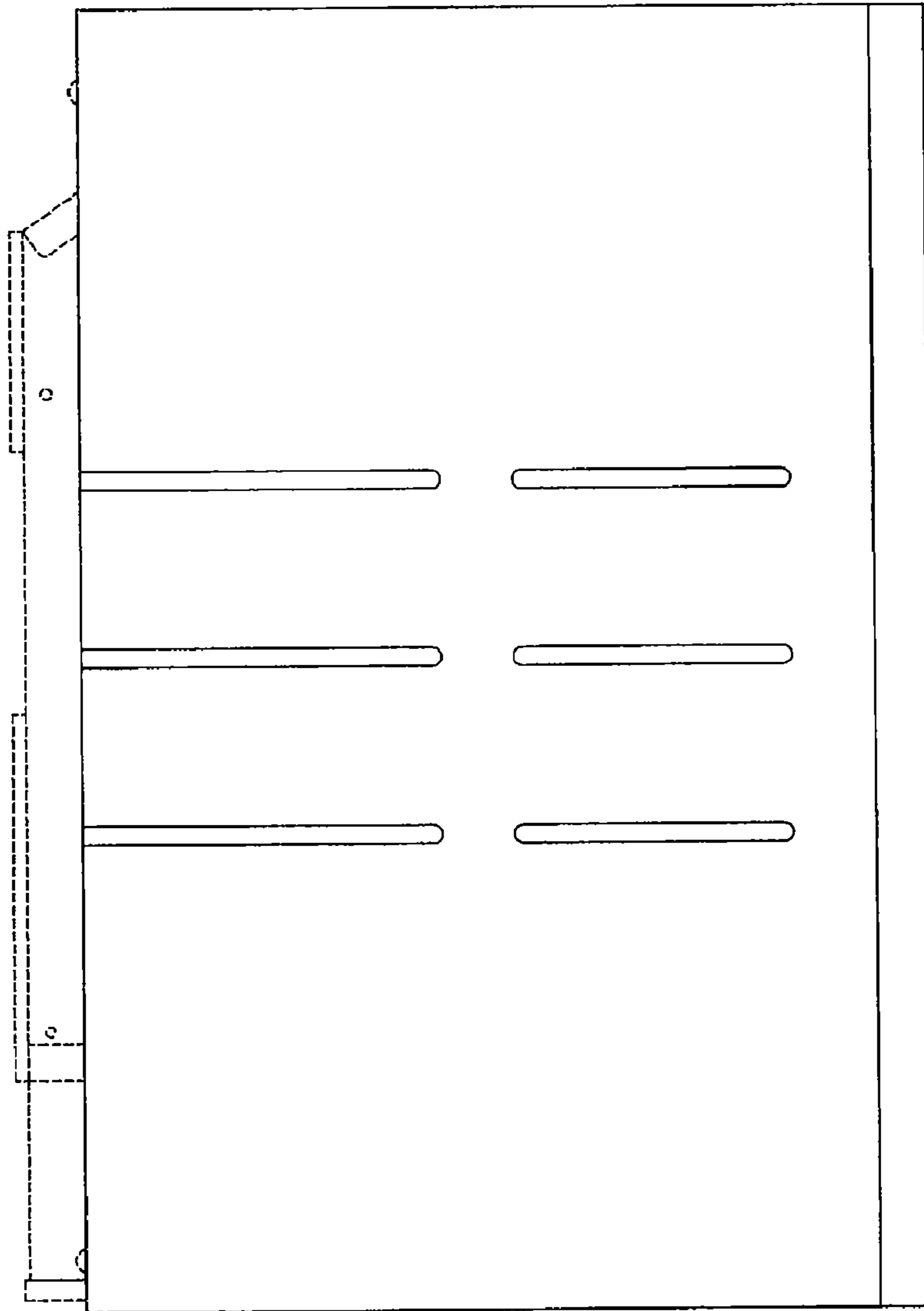


FIG. 5

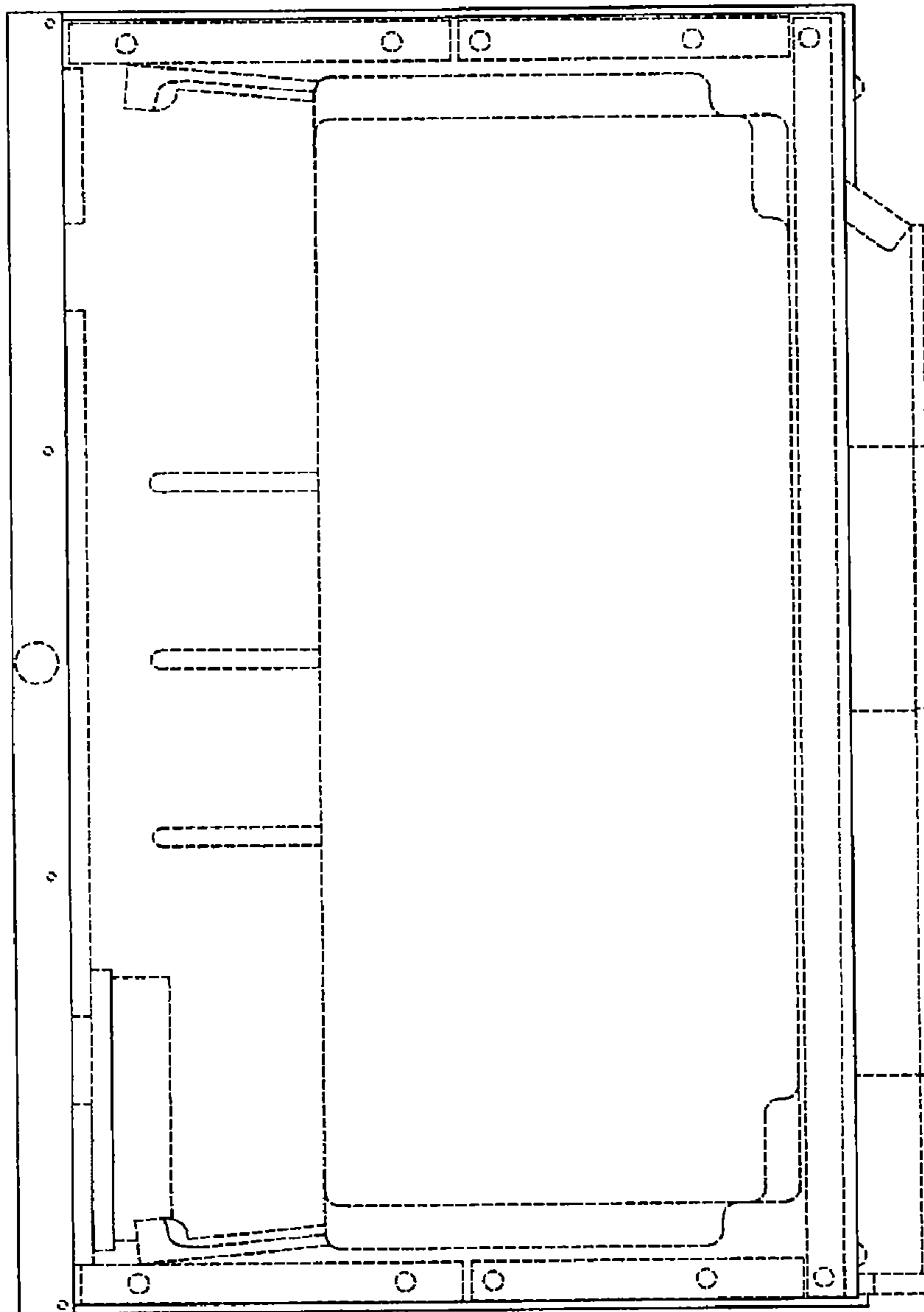


FIG. 6

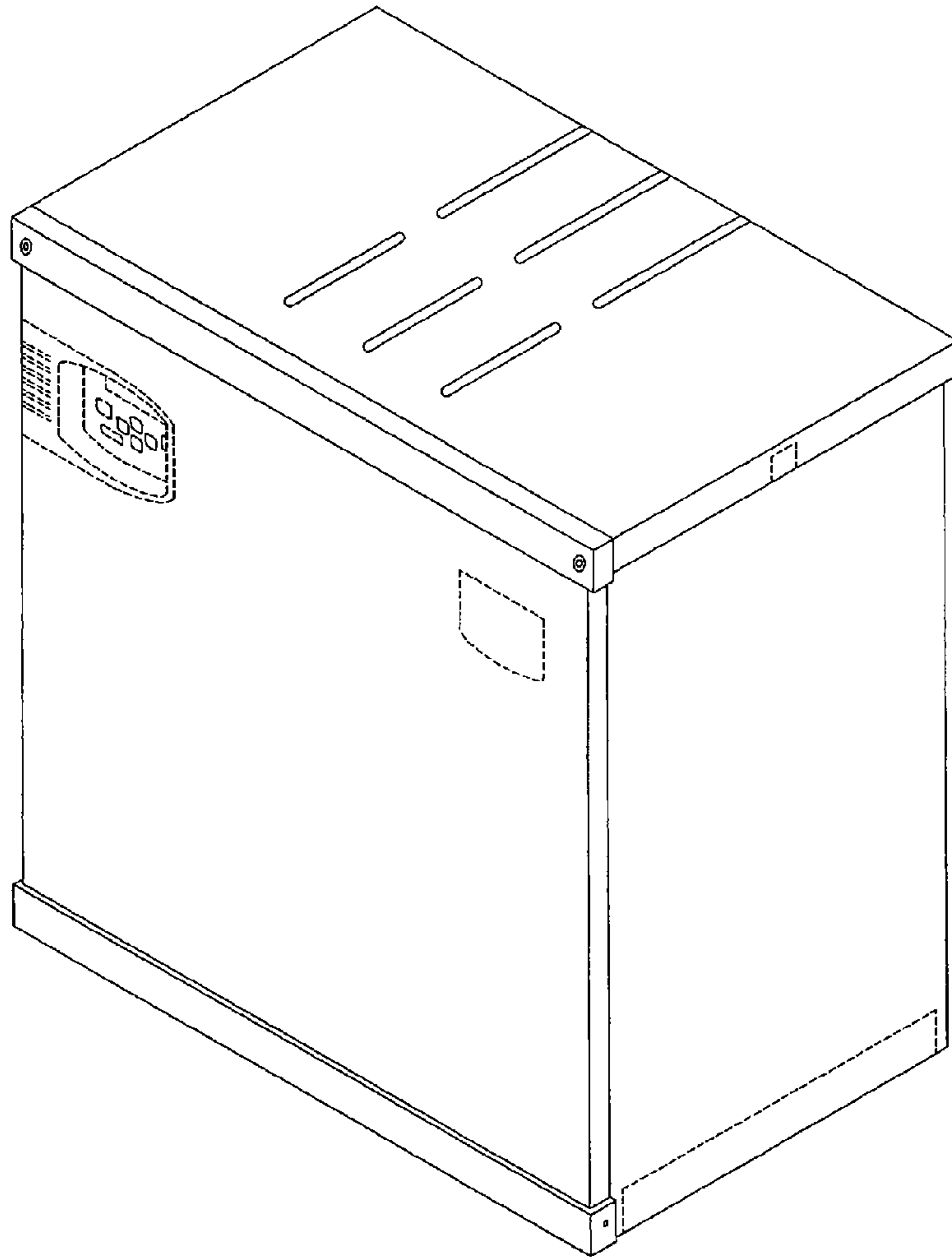


FIG. 7